

- [54] WATER PUMPING, HEATING AND AERATING MECHANISM FOR TUBS AND THE LIKE
- [75] Inventor: James E. Kingston, Arlington, Wash.
- [73] Assignee: Hollibaugh Manufacturing Company, Inc., Marysville, Wash.
- [**] Term: 14 Years
- [21] Appl. No.: 547,820
- [22] Filed: Nov. 1, 1983
- [52] U.S. Cl. D15/7
- [58] Field of Search D15/7-9; D23/28, 80; 417/410, 424; 219/296, 322, 327, 331; 4/492, 493, 509

- [56] **References Cited**
U.S. PATENT DOCUMENTS
D. 241,172 8/1976 Johnson D15/7

D. 254,671 4/1980 Johnson D15/7

Primary Examiner—Catherine E. Kemper
Attorney, Agent, or Firm—Seed and Berry

[57] **CLAIM**

The ornamental design for a water pumping, heating and aerating mechanism for tubs and the like, substantially as shown and described.

DESCRIPTION

FIG. 1 is a top perspective view of a water pumping, heating and aerating mechanism for tubs and the like showing my new design;
FIG. 2 is a front elevational view thereof;
FIG. 3 is an end elevational view thereof taken from the left of FIG. 2;
FIG. 4 is a rear elevational view thereof;
FIG. 5 is an end elevational view thereof taken from the right of FIG. 2;
FIG. 6 is a top plan view thereof; and
FIG. 7 is a bottom plan view thereof.

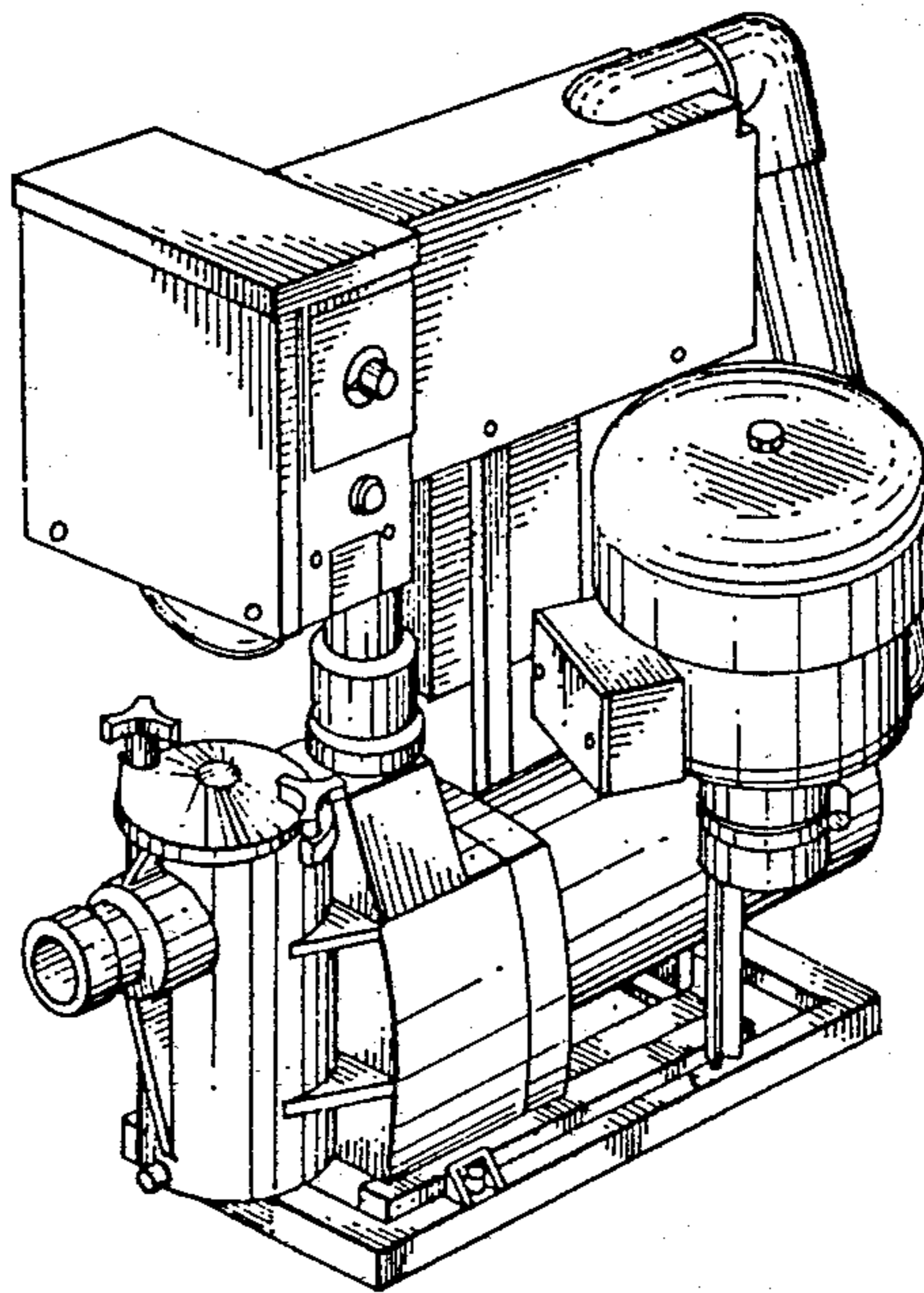


Fig. 1

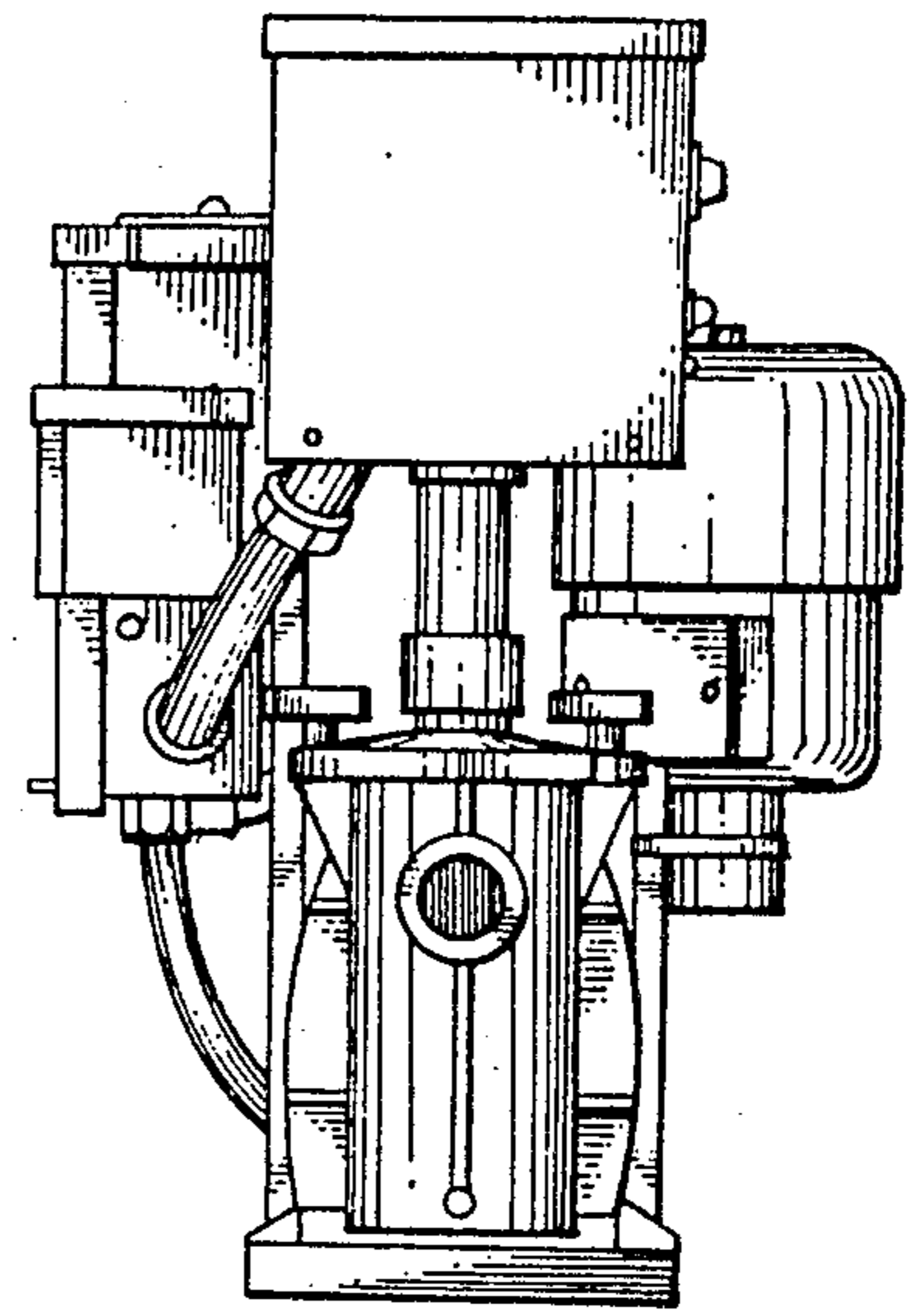
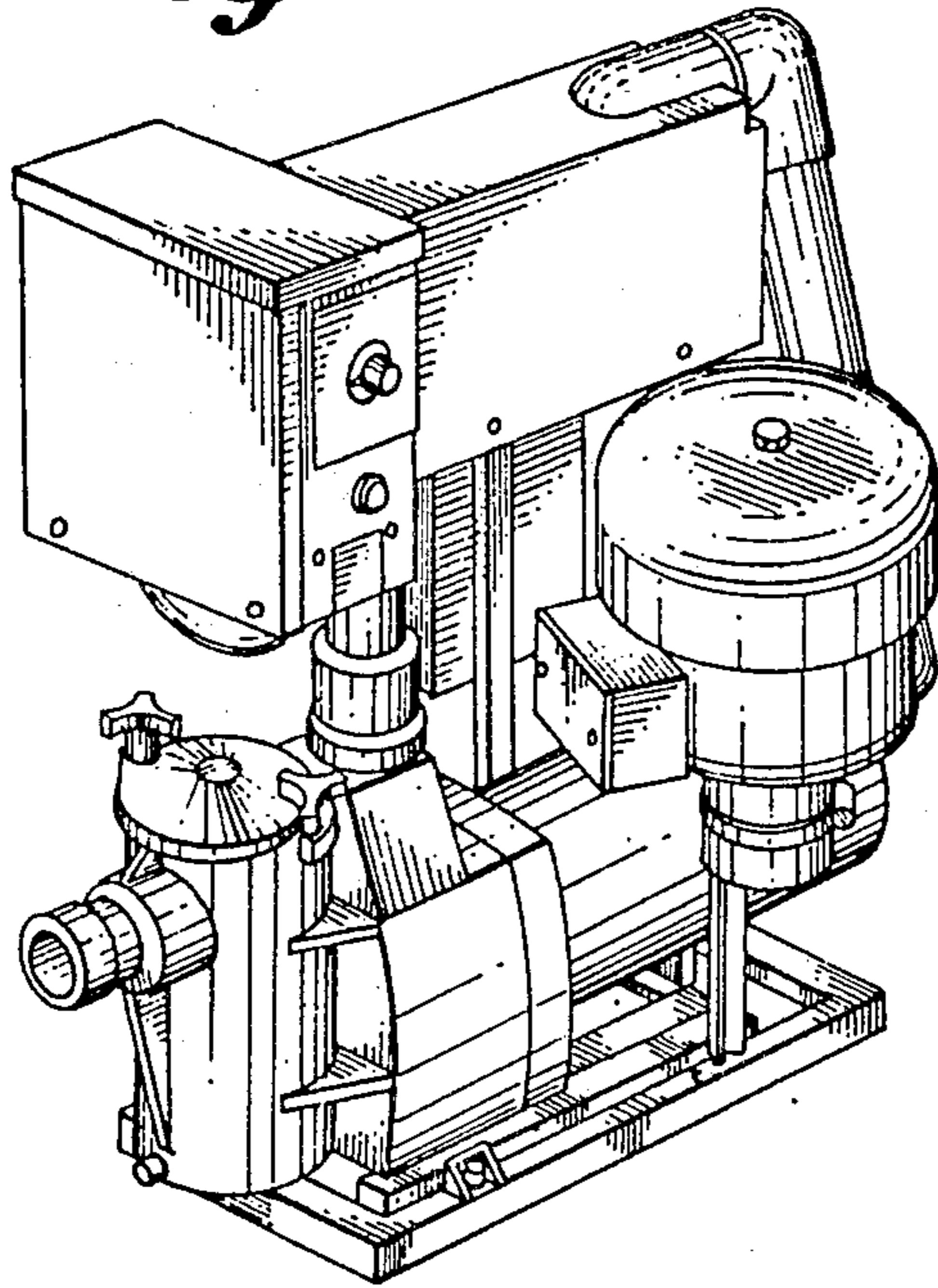


Fig. 2

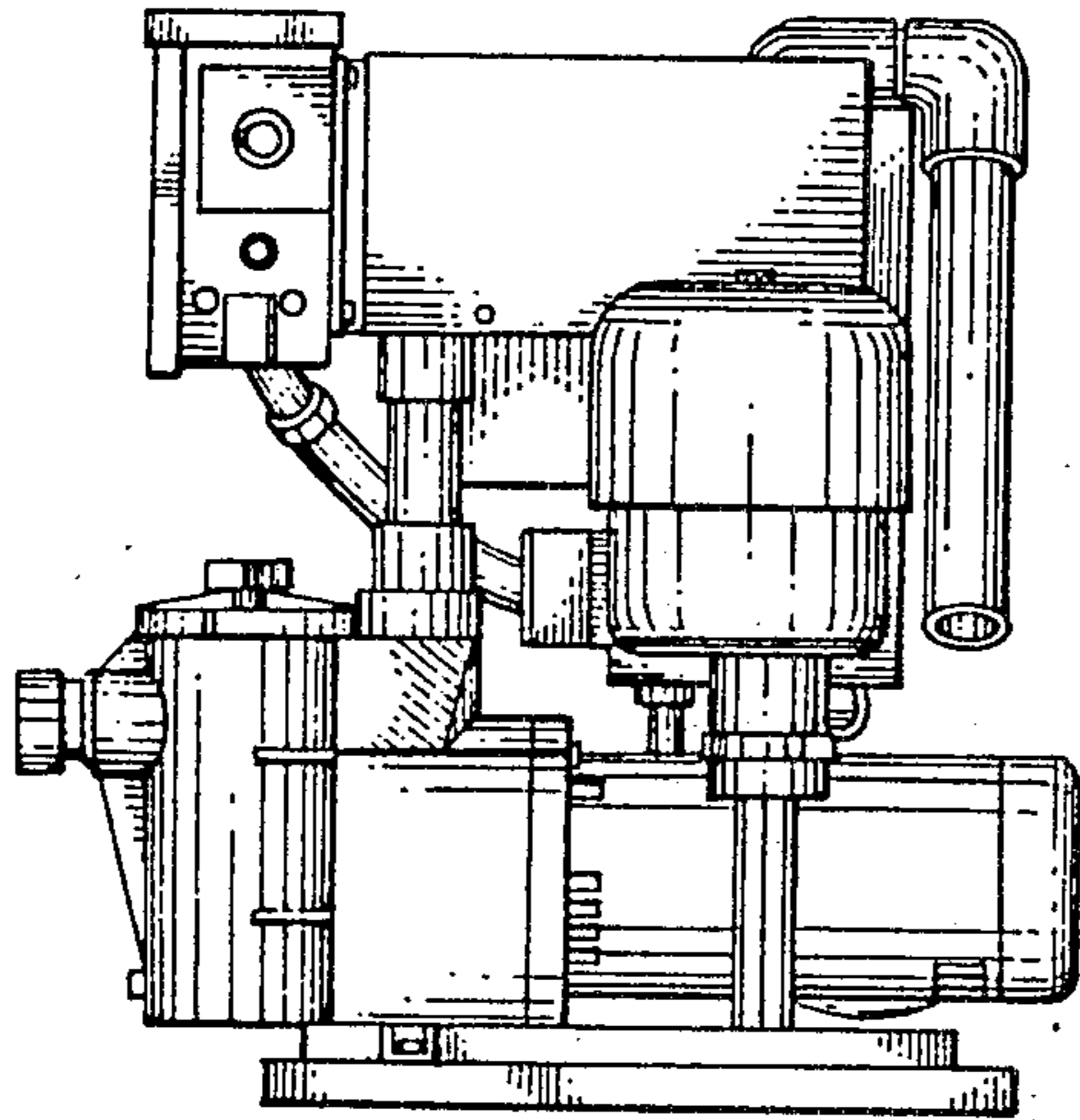
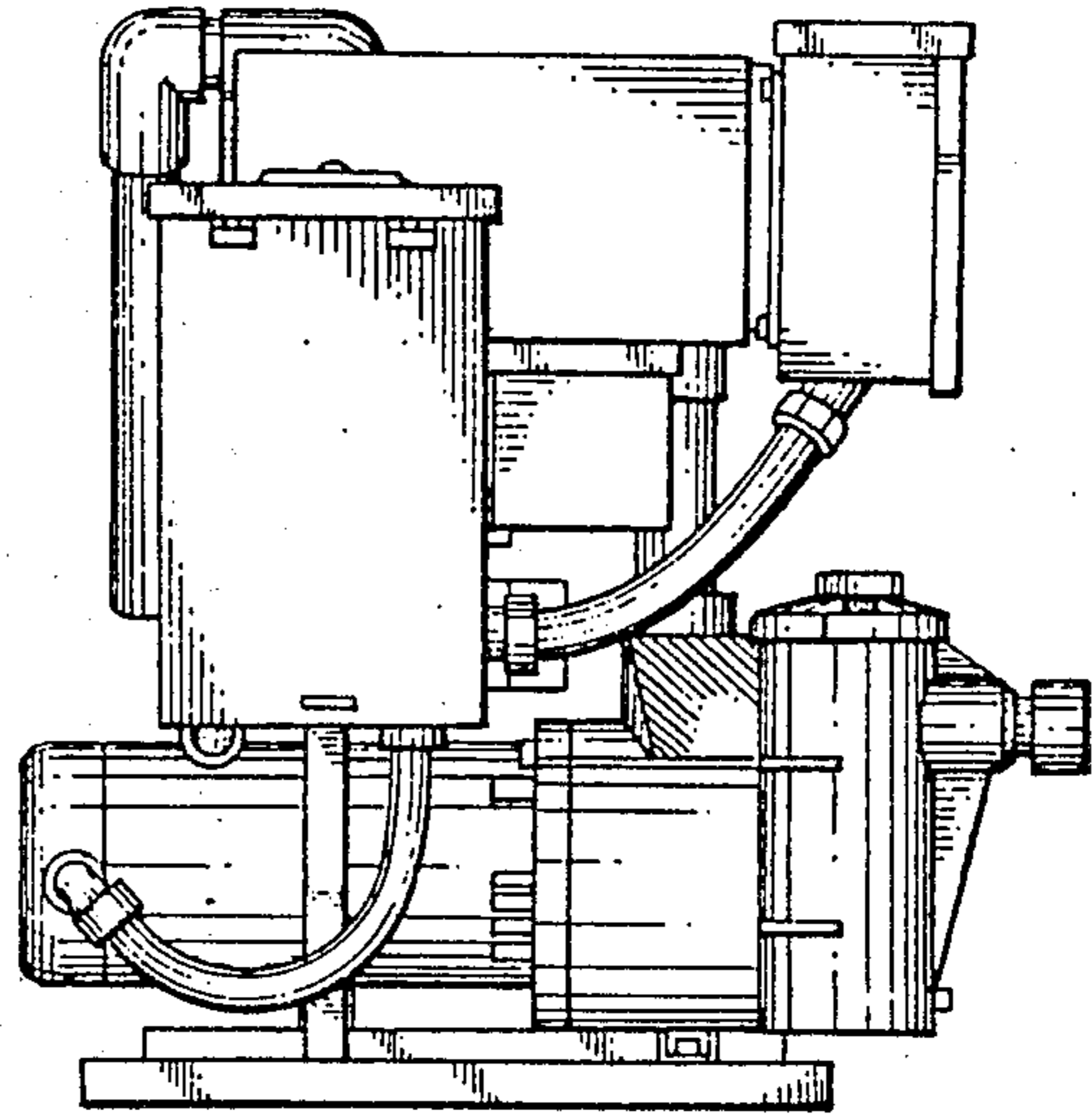


Fig. 3

Fig. 4



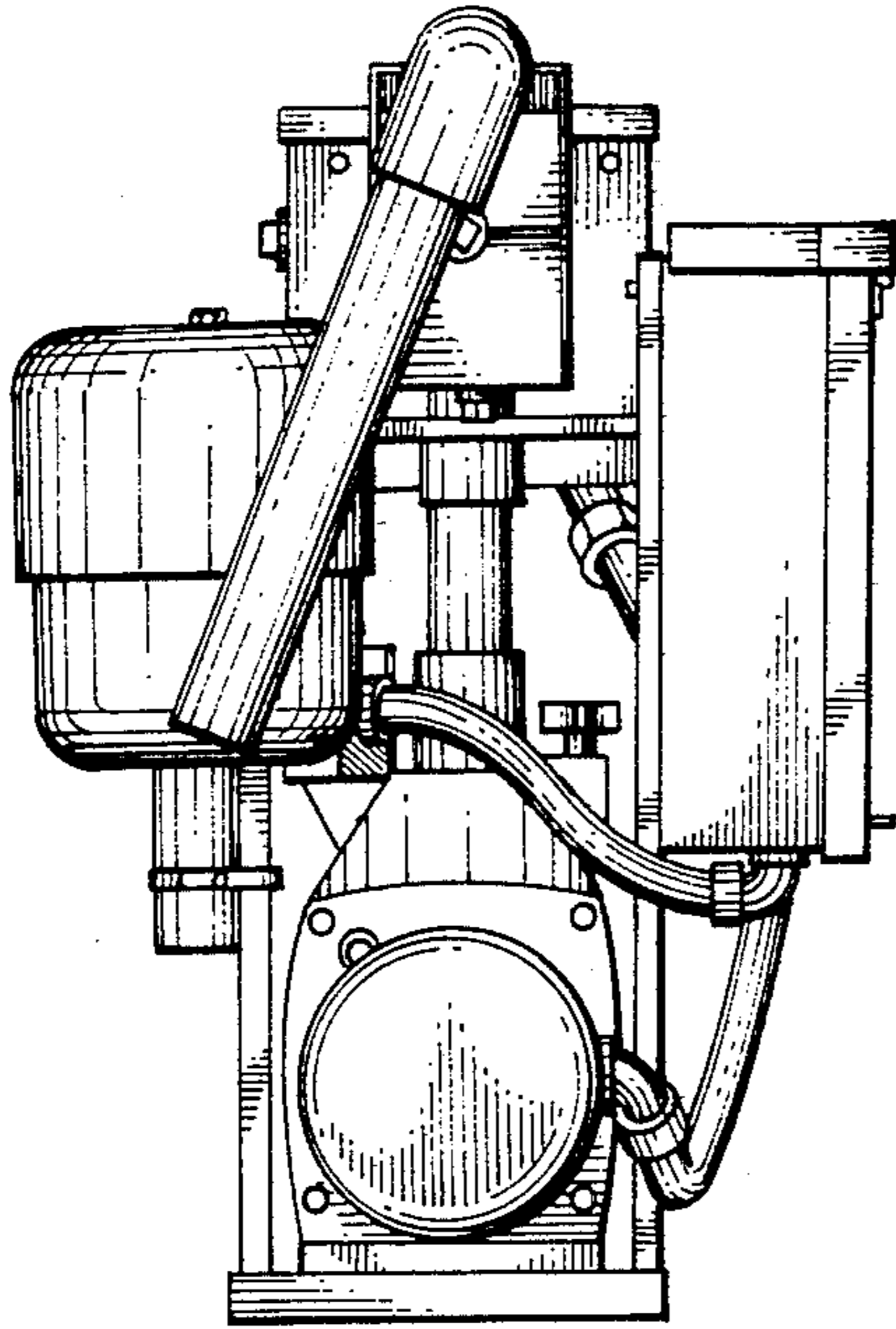


Fig. 5

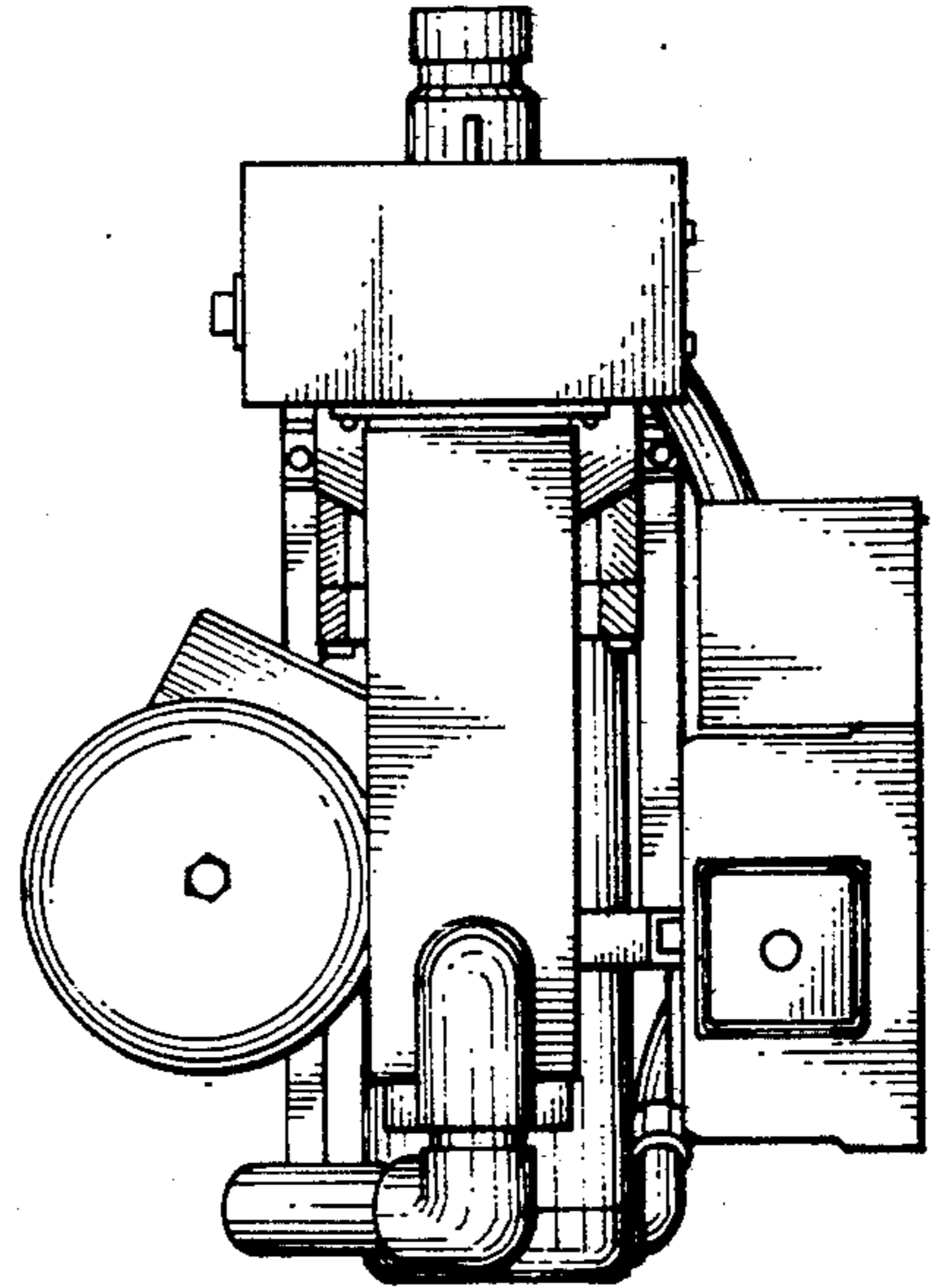


Fig. 6

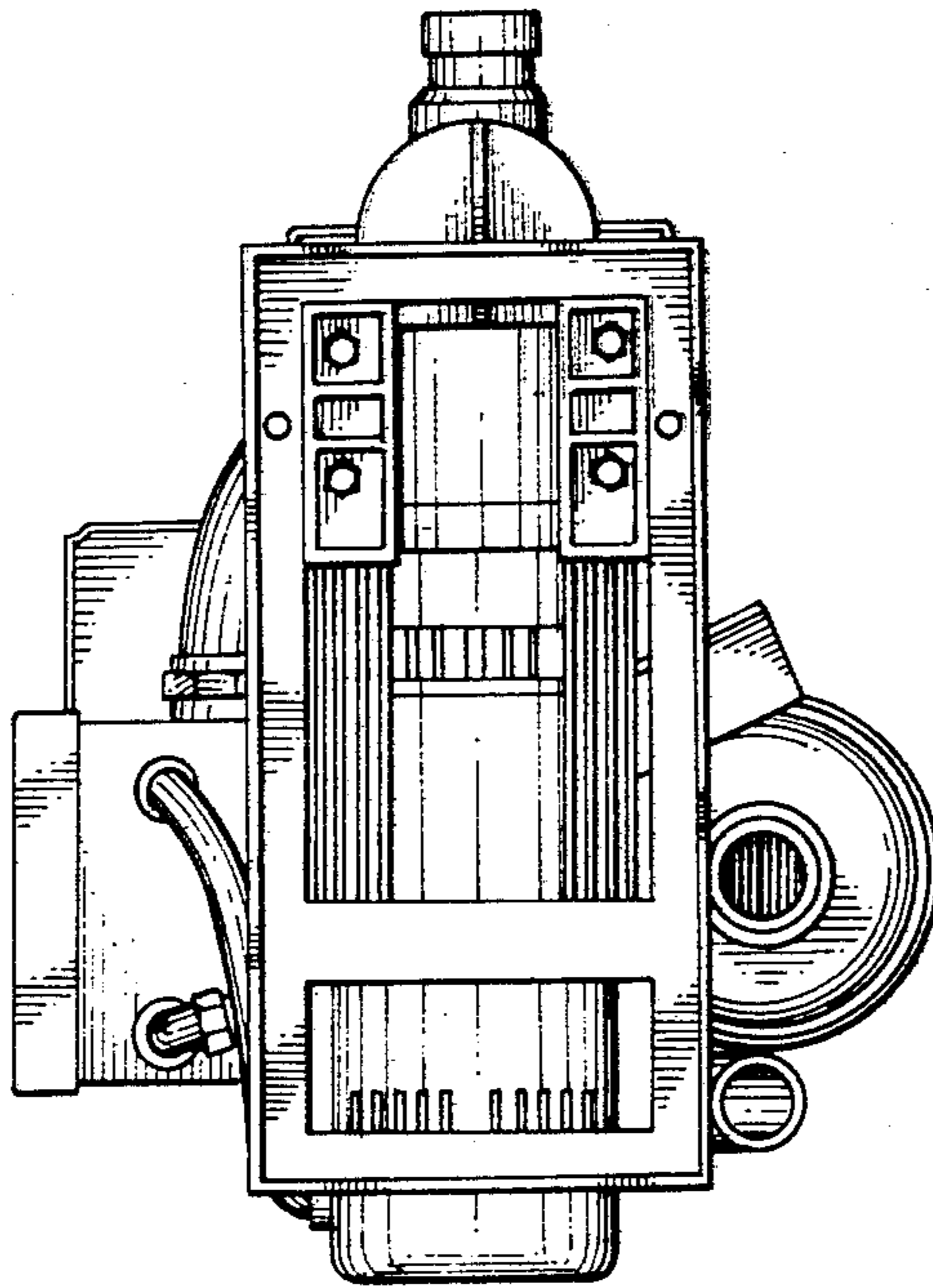


Fig. 7