

[54] **AUTOMOBILE FRONT BUMPER**

[75] **Inventor: Norihiko Kawaoka, Hiroshima, Japan**

[73] **Assignee: Mazda Motor Corporation,
Hiroshima, Japan**

[**] **Term: 14 Years**

[21] **Appl. No.: 812,857**

[22] **Filed: Dec. 23, 1985**

[52] **U.S. Cl. D12/169**

[58] **Field of Search D12/169, 181; 293/102,
293/113, 117, 120, 121**

[56] **References Cited**

U.S. PATENT DOCUMENTS

D. 282,653 2/1986 Takano D12/169

FOREIGN PATENT DOCUMENTS

638629 11/1984 Japan .

OTHER PUBLICATIONS

Motor Trend, 11/84, p. 63, Front Bumper of Mitsubishi Galant, lower right side of page.

Road & Track, 12/83, p. 116, Front Bumper of Nissan 200 SX, center right side of page.

Primary Examiner—James M. Gandy

Attorney, Agent, or Firm—Fleit, Jacobson, Cohn & Price

[57] **CLAIM**

The ornamental design for an automobile front bumper, as shown and described.

DESCRIPTION

FIG. 1 is a perspective view of the automobile front bumper embodying our ornamental design;

FIG. 2 is a front elevational view thereof;

FIG. 3 is a rear elevational view thereof;

FIG. 4 is a top plan view thereof;

FIG. 5 is a bottom plan view thereof; and

FIG. 6 is a left side elevational view thereof.

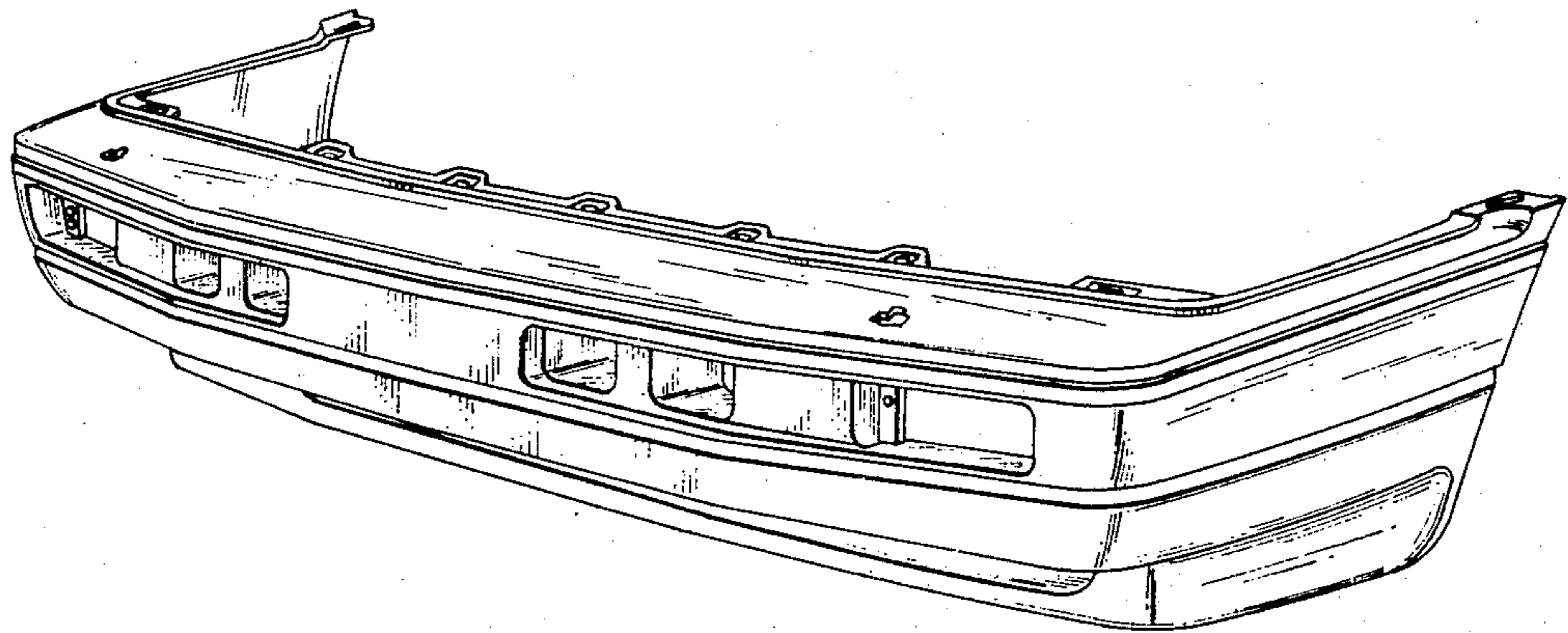


FIG. 1

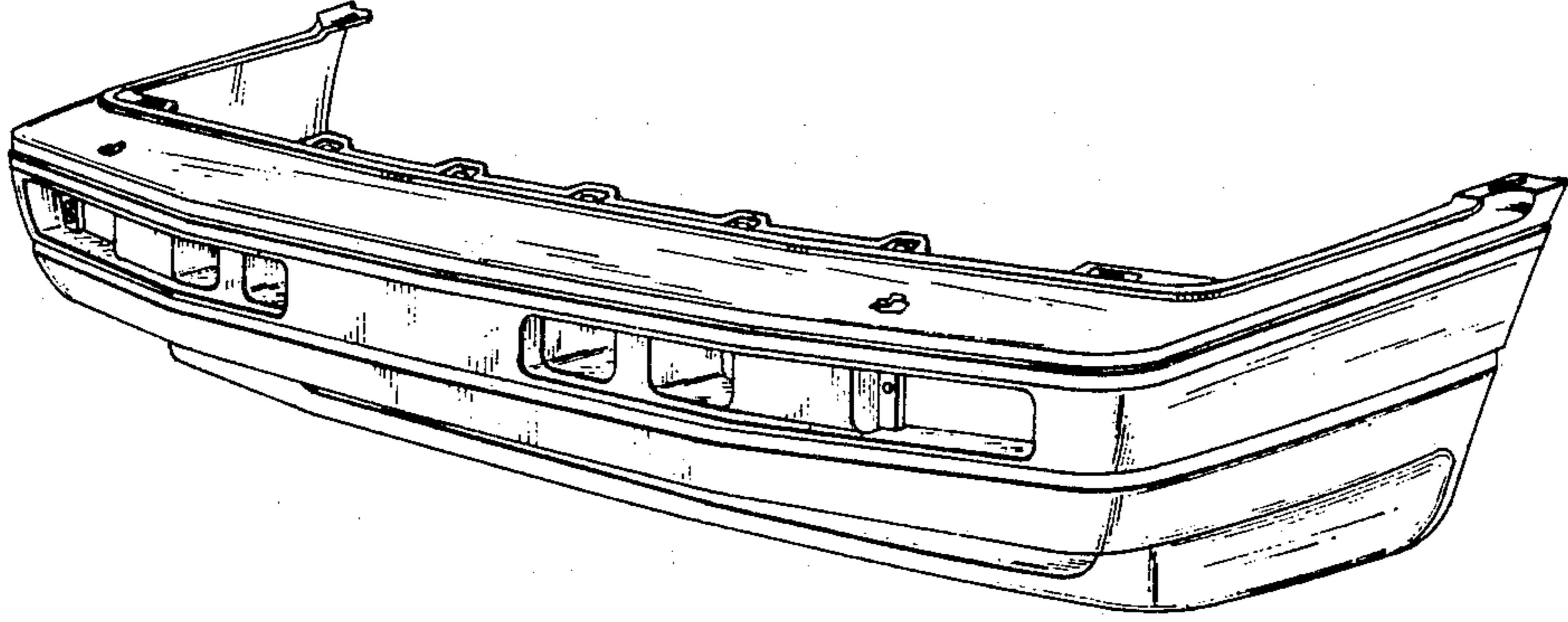


FIG. 2

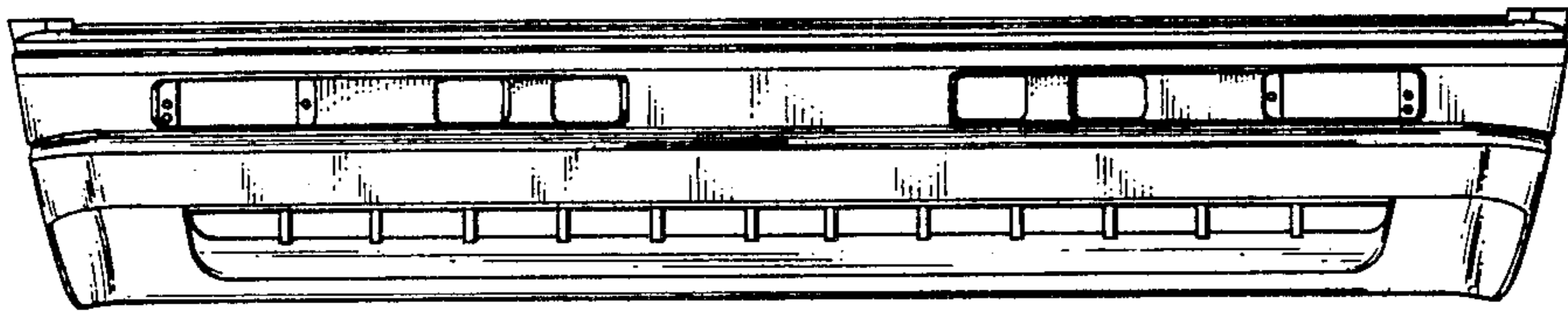


FIG. 3

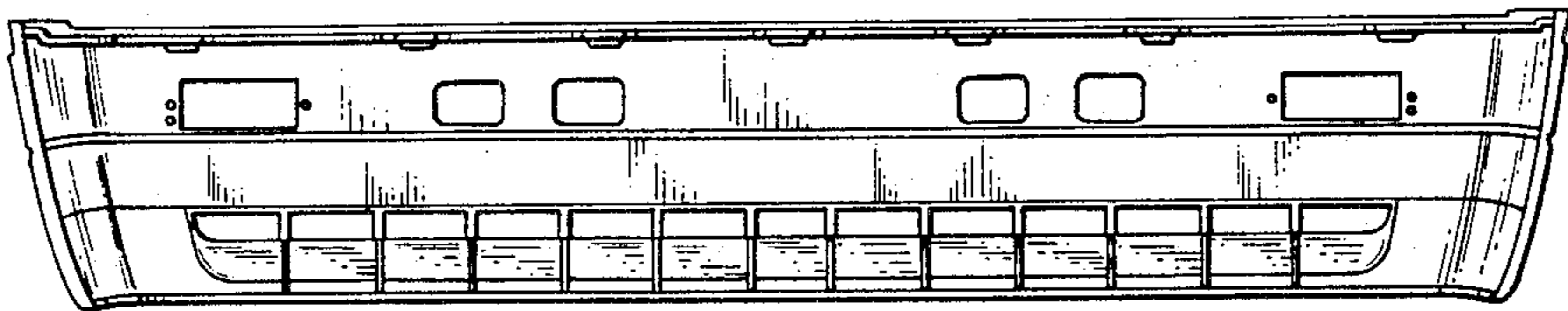


FIG. 4

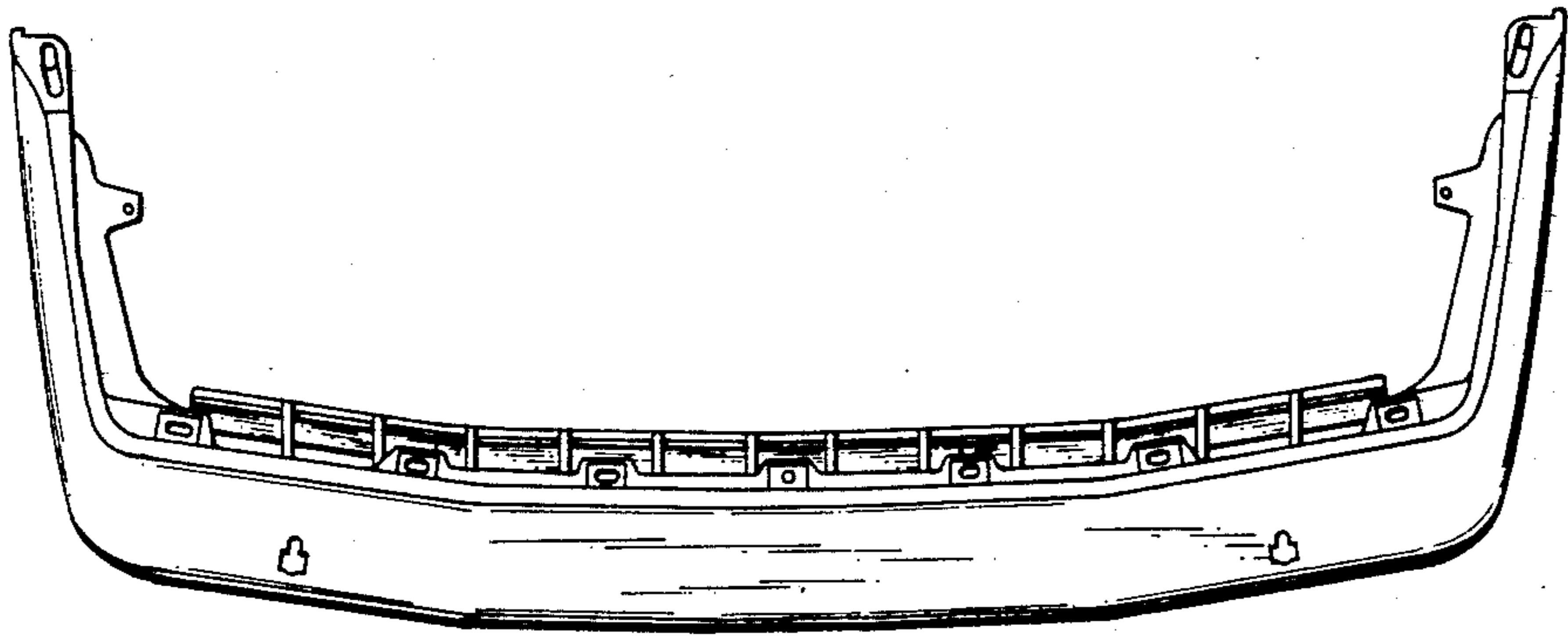


FIG. 5

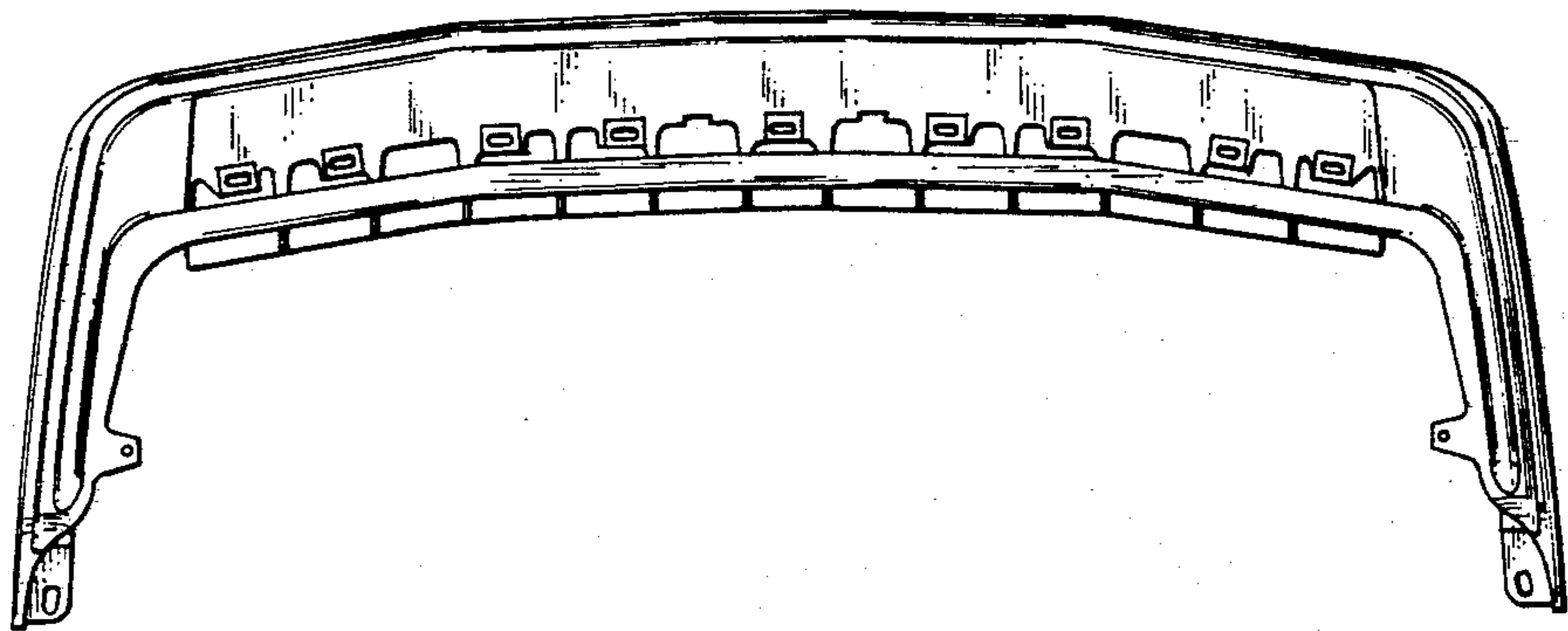


FIG. 6

