

[54] BELT BUCKLE

[75] Inventor: Kazumi Kasai, Namerikawa, Japan

[73] Assignee: Nippon Notion Kogyo Co. Ltd., Tokyo, Japan

[**] Term: 14 Years

[21] Appl. No.: 712,433

[22] Filed: Mar. 18, 1985

[52] U.S. Cl. D11/216

[58] Field of Search D11/200, 201, 216, 218, D11/220, 208; 63/2; 24/163 R, 163 K, 170, 307-314, 323, 644, 650, 651

[56] References Cited

U.S. PATENT DOCUMENTS

D. 274,862	7/1984	Fildan	D11/208
D. 276,477	11/1984	Kanzaka	D11/216
3,336,641	8/1967	Hunter	D11/216
4,150,464	4/1979	Tracy	24/313
4,425,689	1/1984	Fildan	24/651

Primary Examiner—Louis S. Zarfes

Attorney, Agent, or Firm—Hill, Van Santen, Steadman & Simpson

[57] CLAIM

The ornamental design for a belt buckle, as shown and described.

DESCRIPTION

FIG. 1 is a front elevational view of a belt buckle showing my new design;

FIG. 2 is a side elevation viewed of the belt buckle in FIG. 1;

FIG. 3 is a plan view of the belt buckle;

FIG. 4 is a bottom view of the belt buckle;

FIG. 5 is a cross-sectional view taken along line A—A of FIG. 2;

FIG. 6 is cross-sectional view taken along line B—B of FIG. 1;

FIG. 7 is a front elevational view of the male member of the belt buckle of FIG. 1;

FIG. 8 is a side elevational view of the male member of FIG. 7;

FIG. 9 is a plan view of the male member;

FIG. 10 is a bottom view of the male member;

FIG. 11 is a cross-sectional view taken along line C—C of FIG. 8;

FIG. 12 is a cross-sectional view taken along line D—D of FIG. 7;

FIG. 13 is a front elevational view of the female member of the belt buckle of FIG. 1;

FIG. 14 is a side elevational view of the female member in FIG. 13;

FIG. 15 is a plan view of the female member;

FIG. 16 is a bottom view of the female member;

FIG. 17 is a cross-sectional elevational taken along line E—E of FIG. 14; and

FIG. 18 is a cross-sectional view taken along line F—F of FIG. 13.

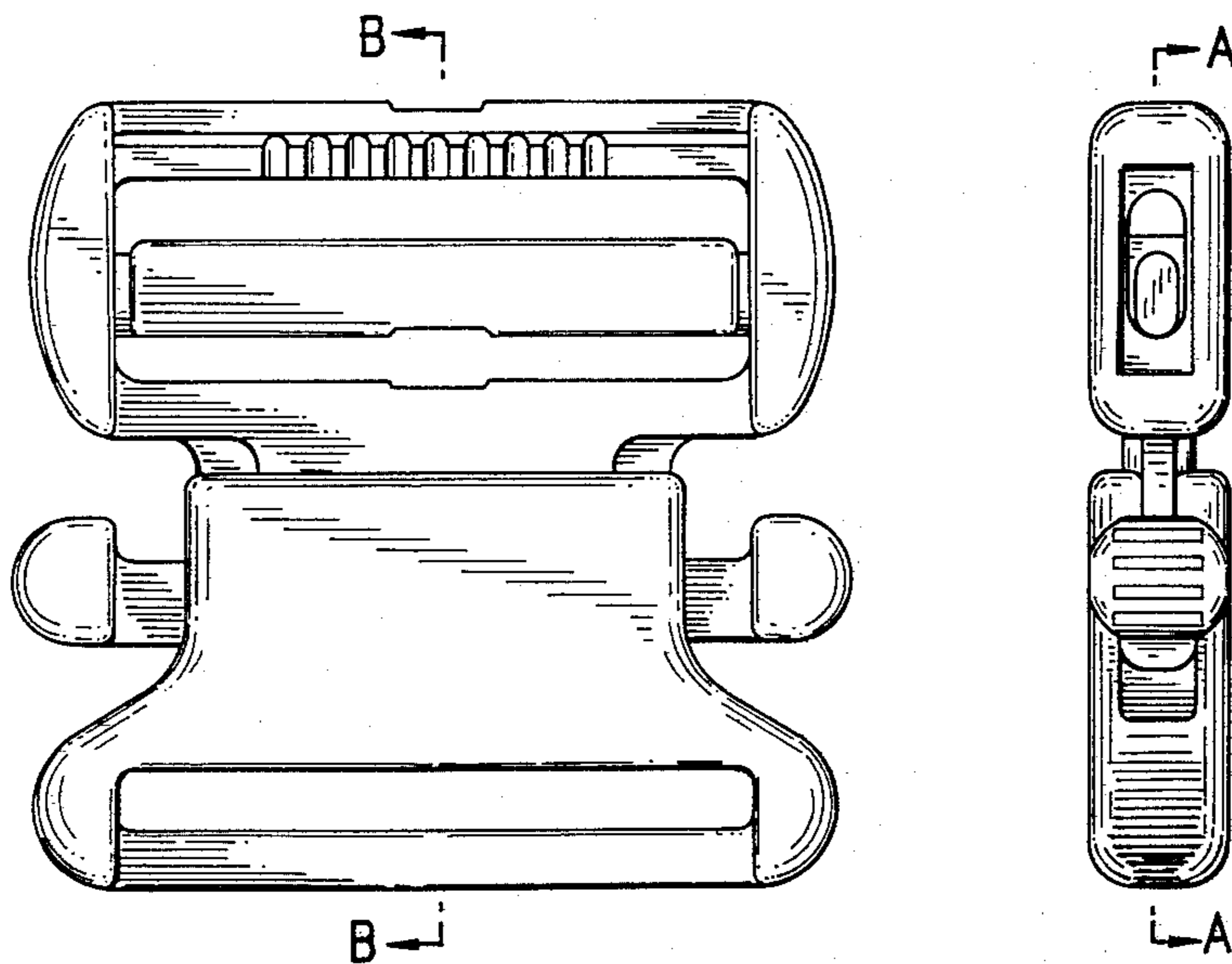


FIG. 1

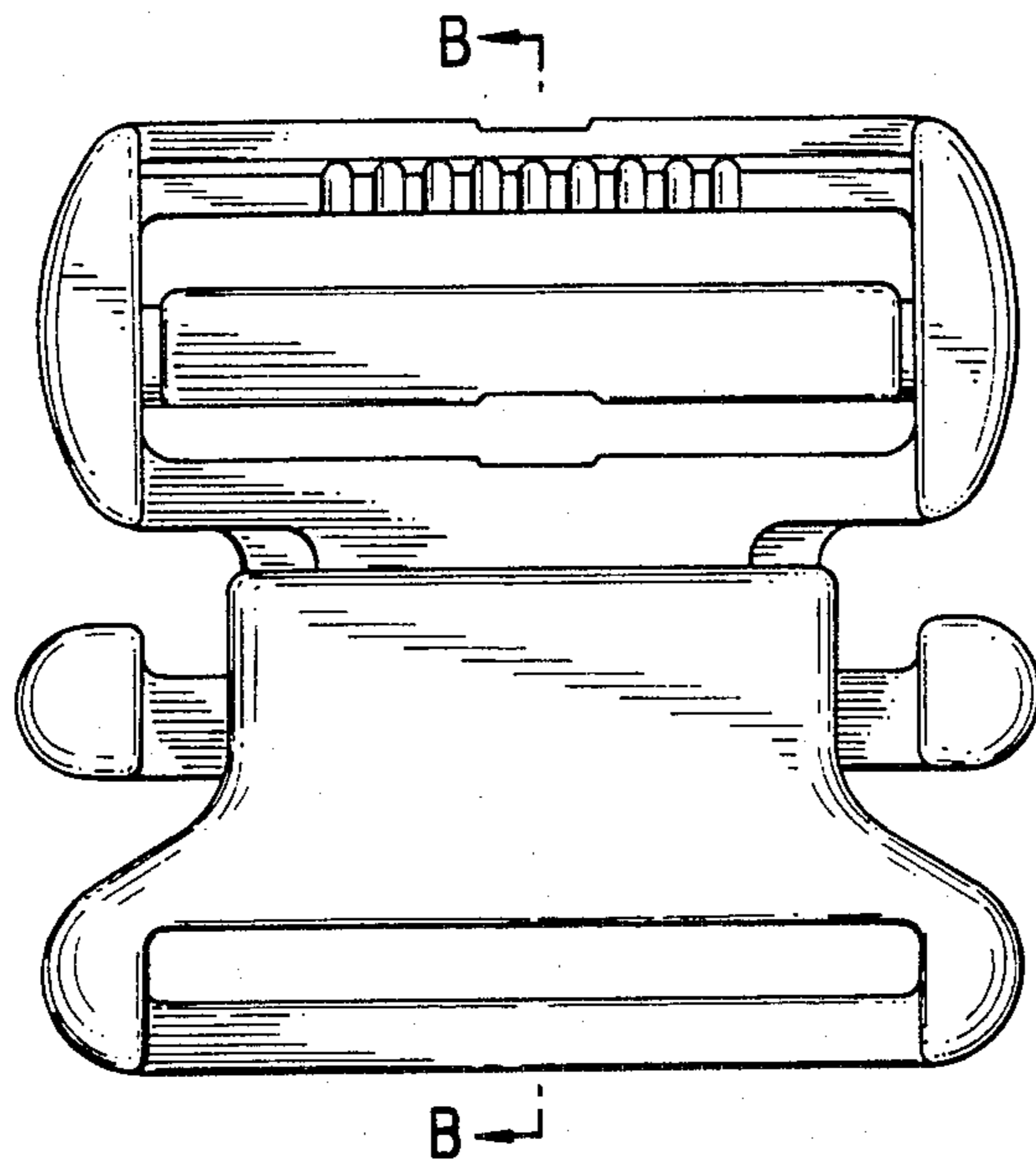


FIG. 2

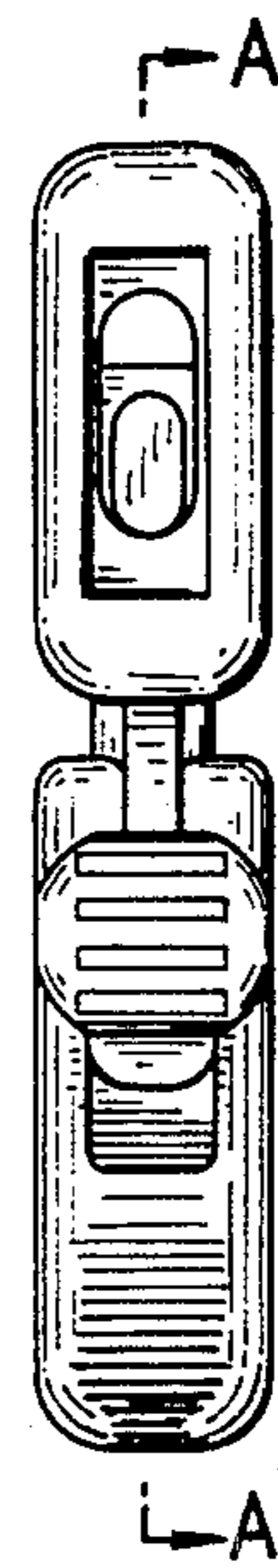


FIG. 3

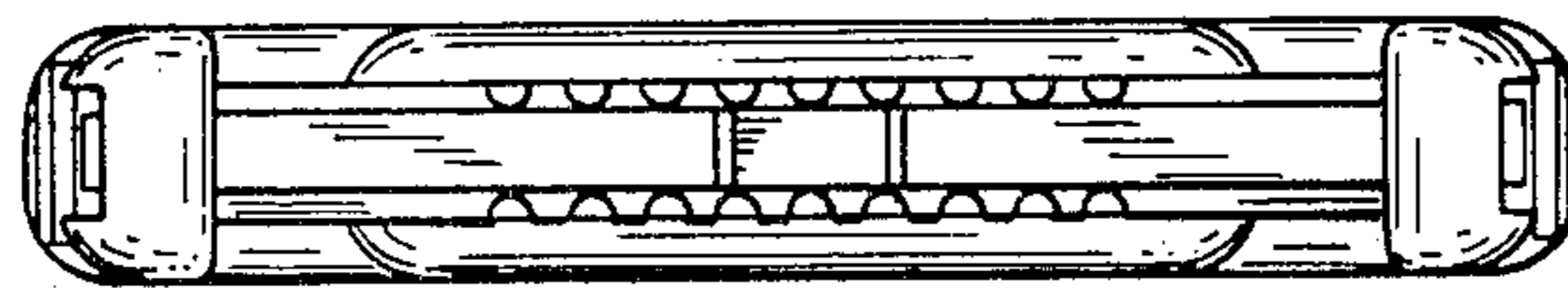


FIG. 4

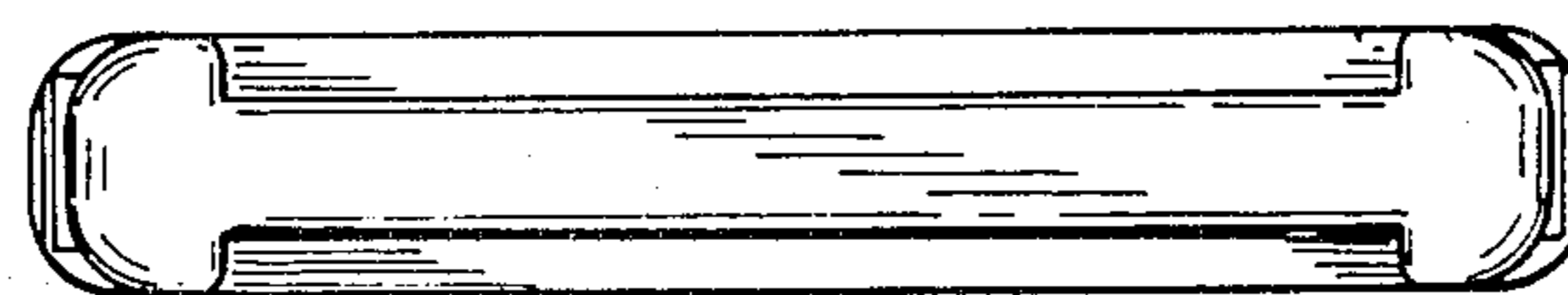


FIG. 5

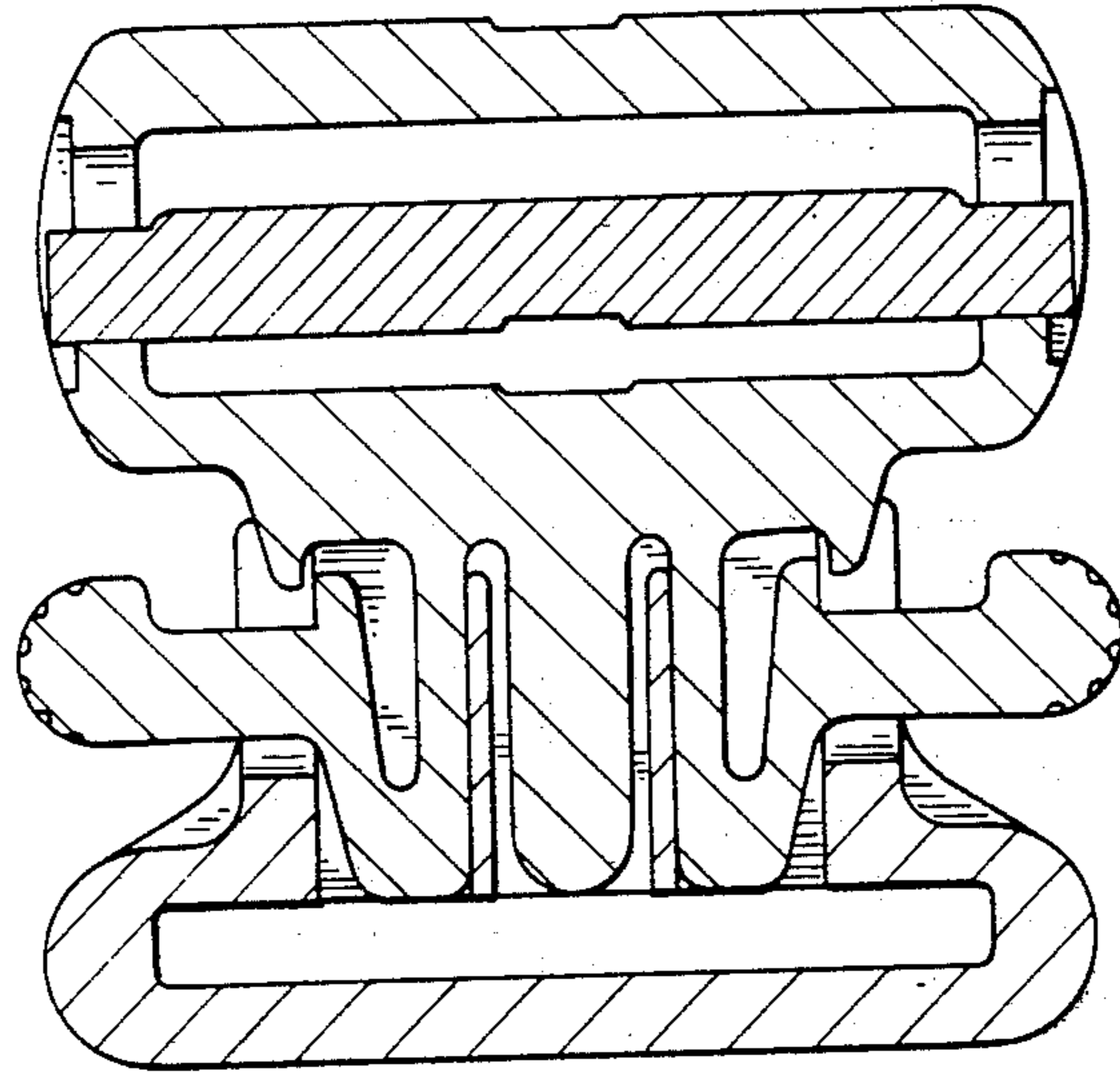


FIG. 6

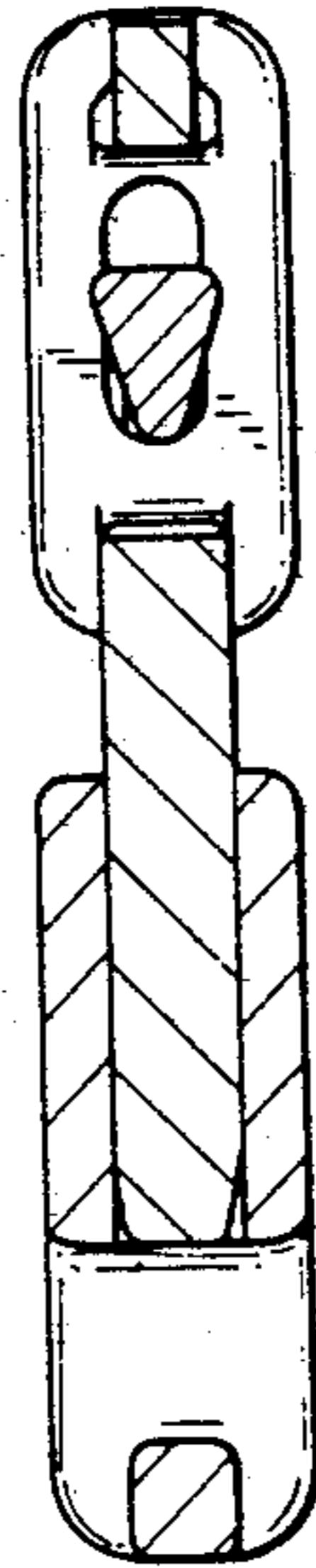


FIG. 7

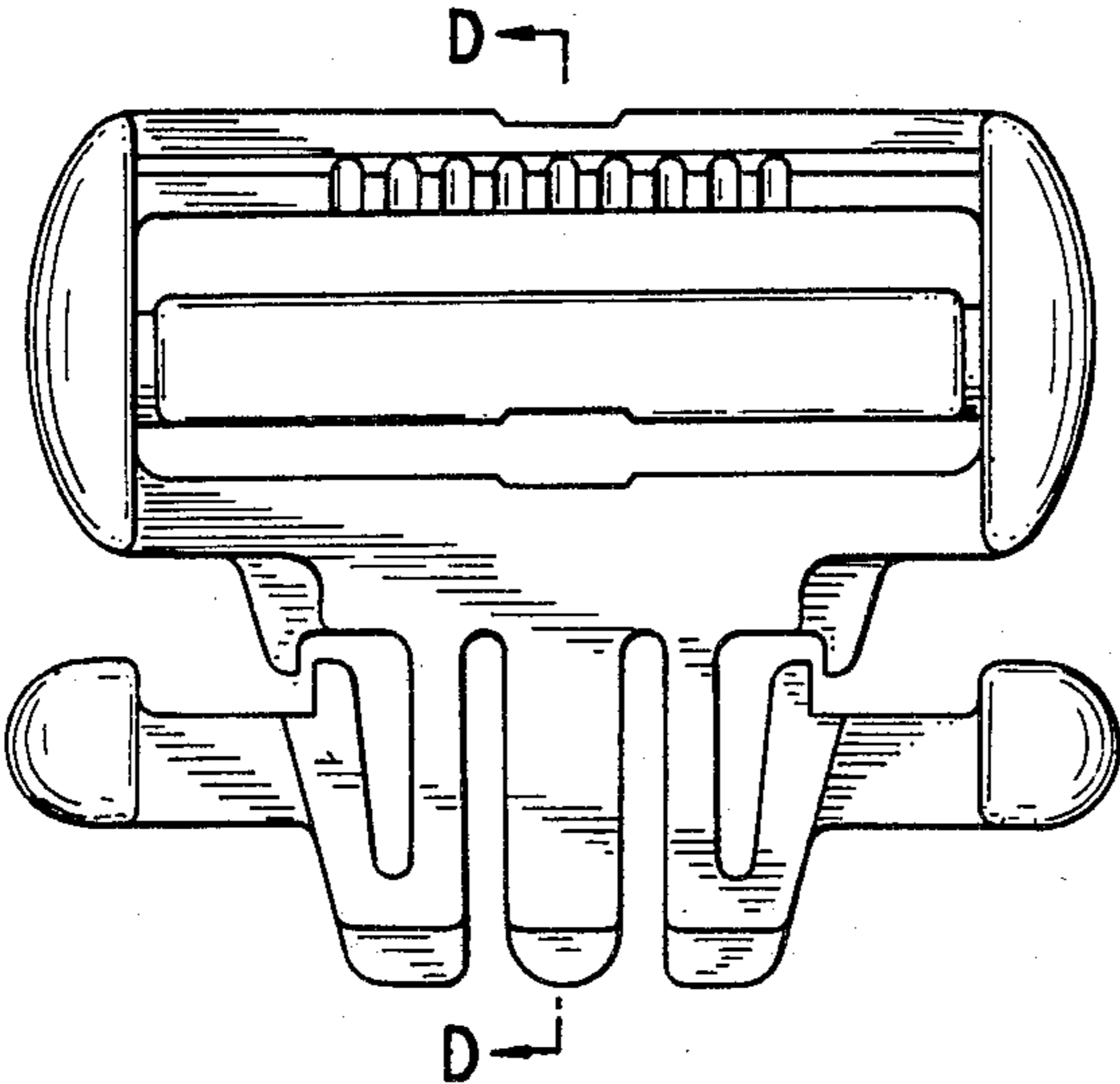


FIG. 8

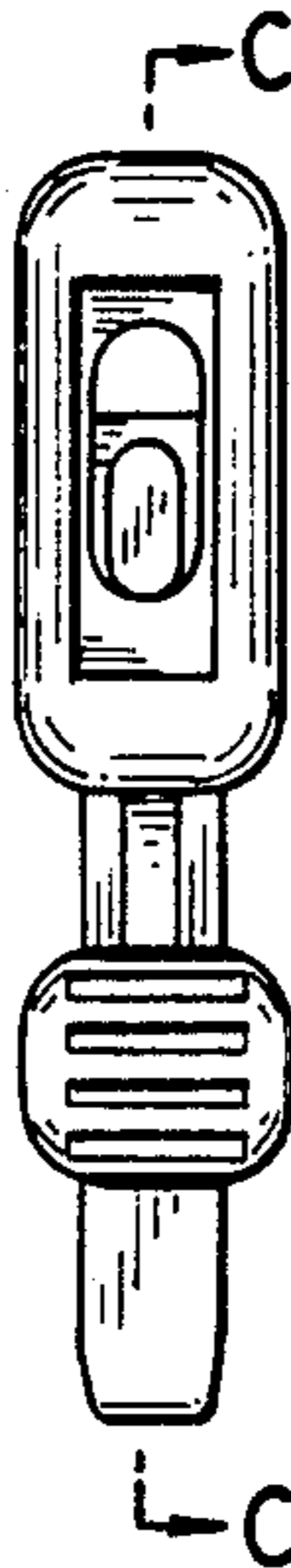


FIG. 9

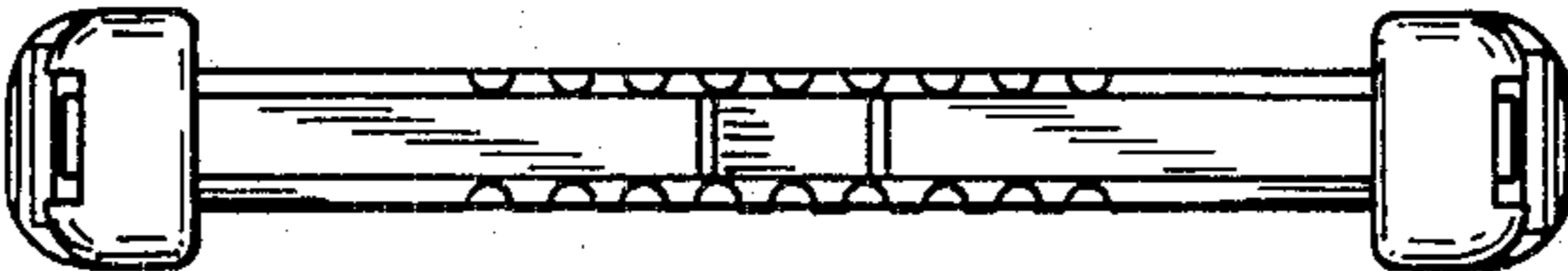


FIG. 10



FIG. 11

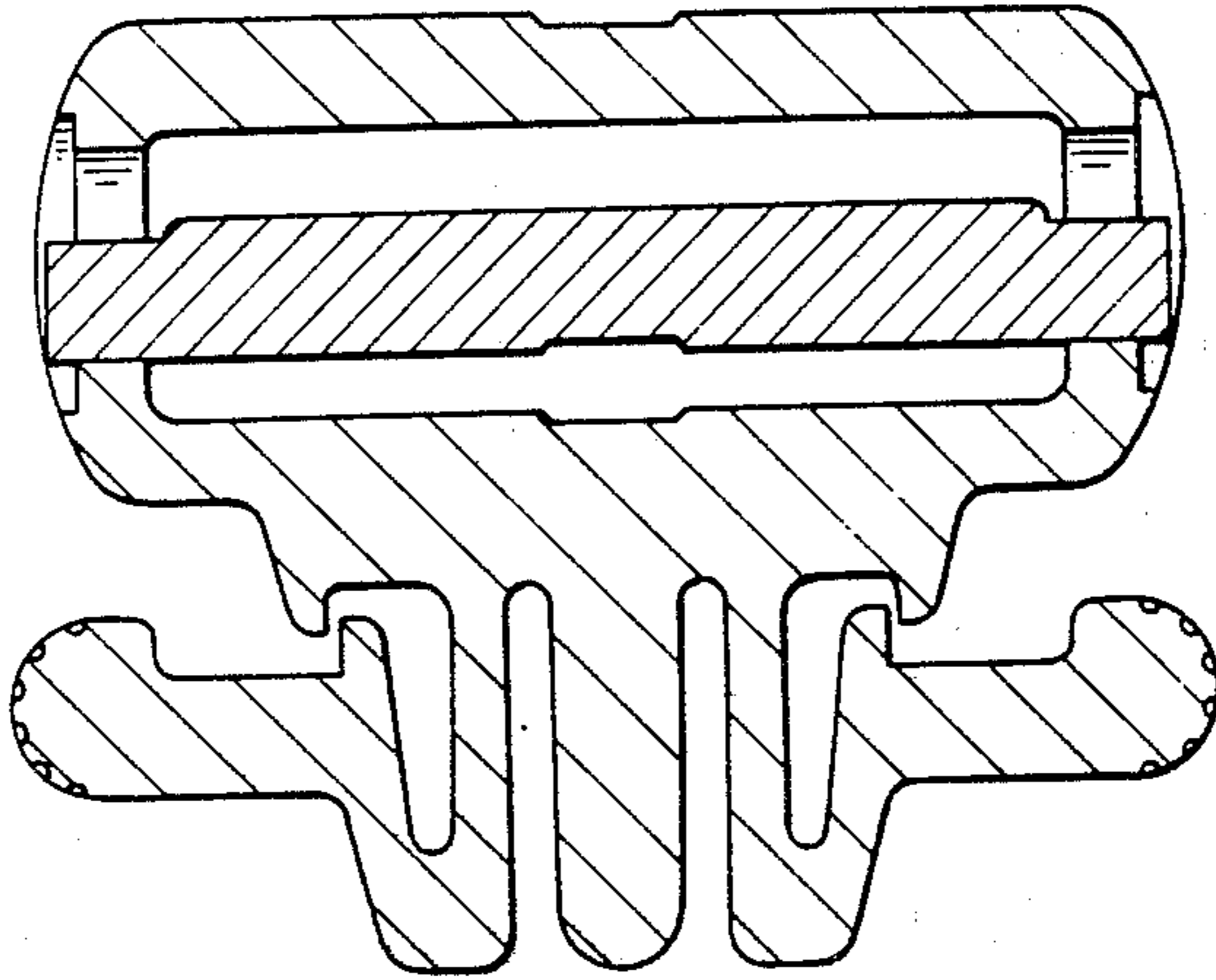


FIG. 12

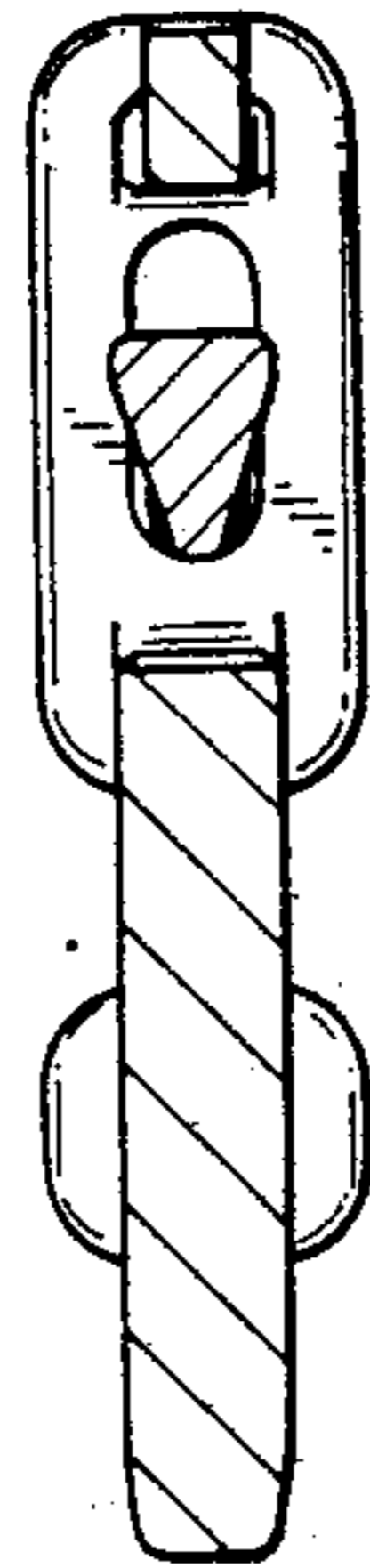


FIG. 13

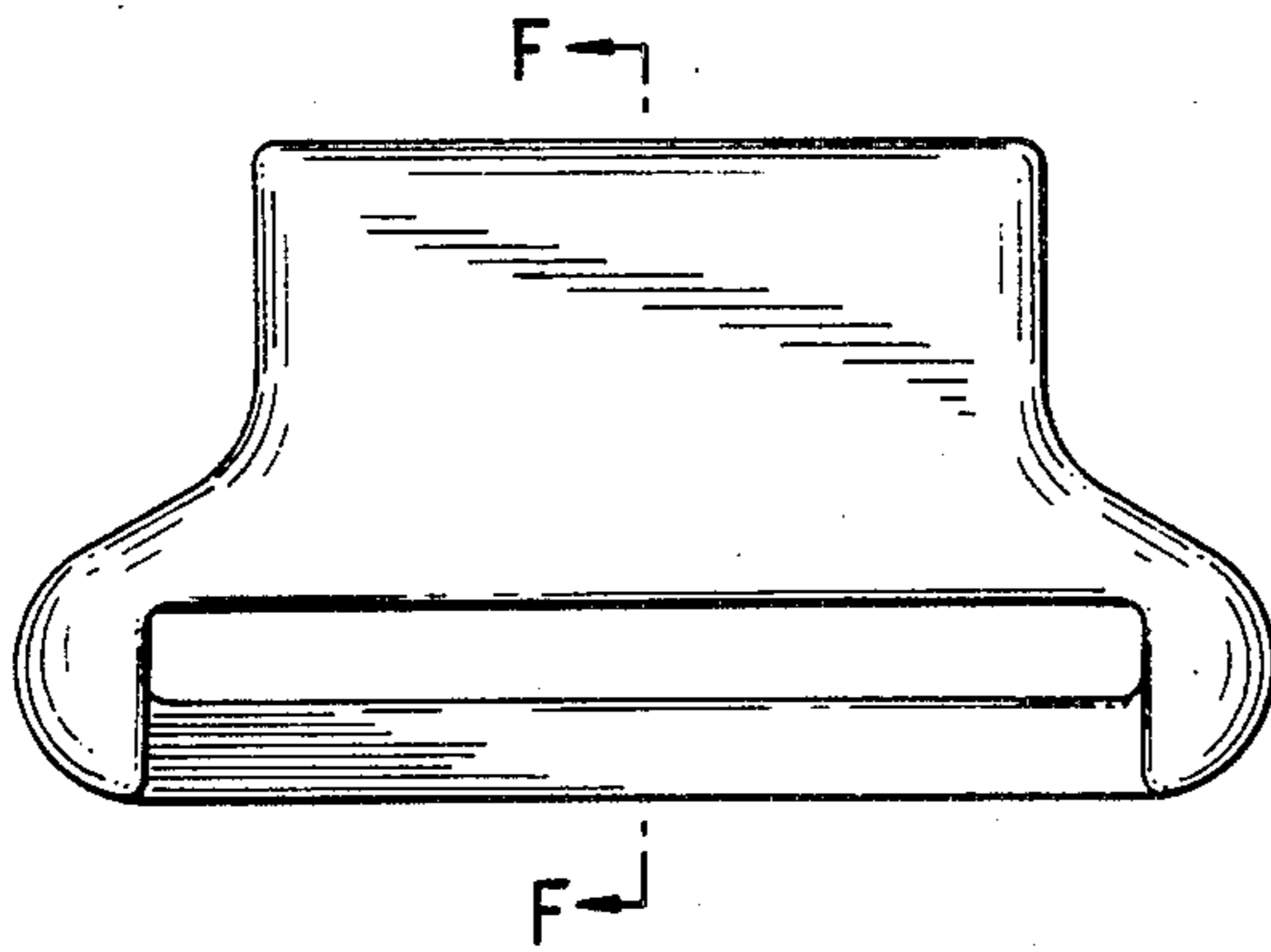


FIG. 14

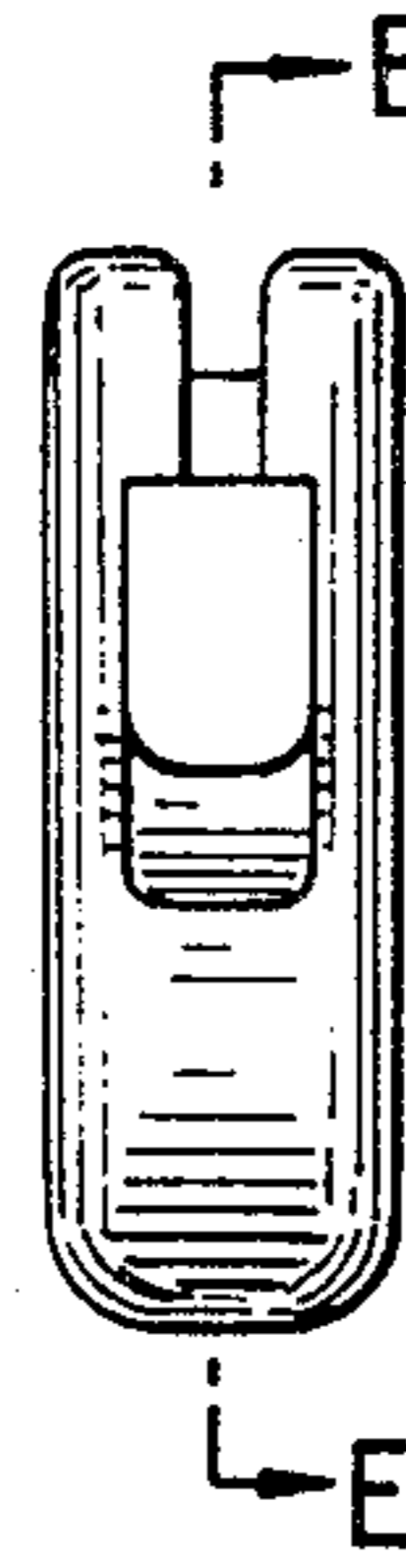


FIG. 15

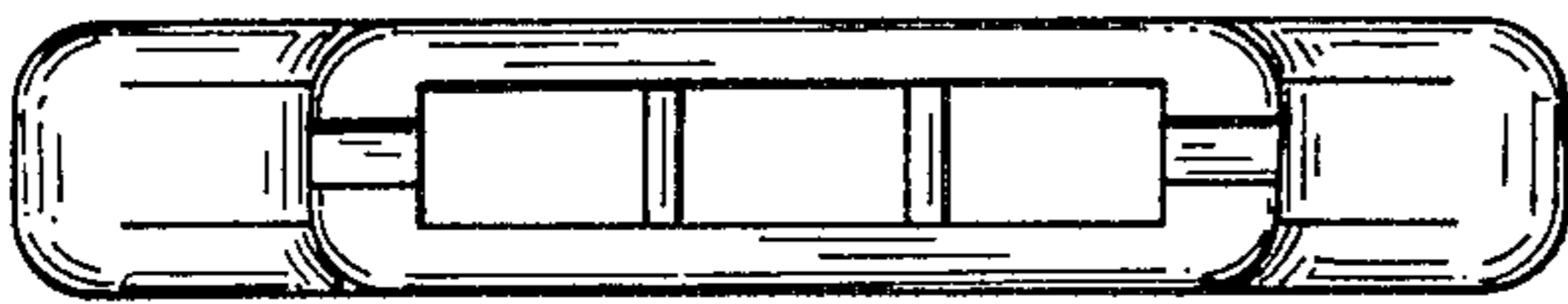


FIG. 16

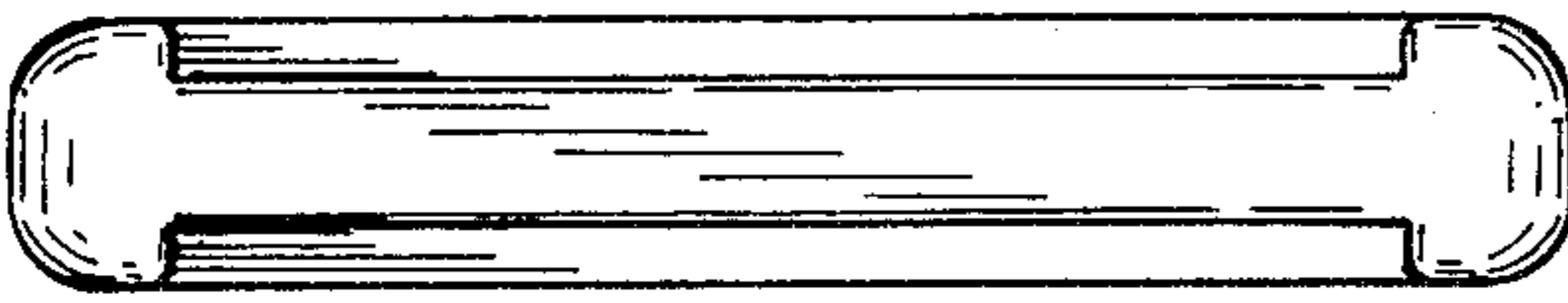


FIG. 17

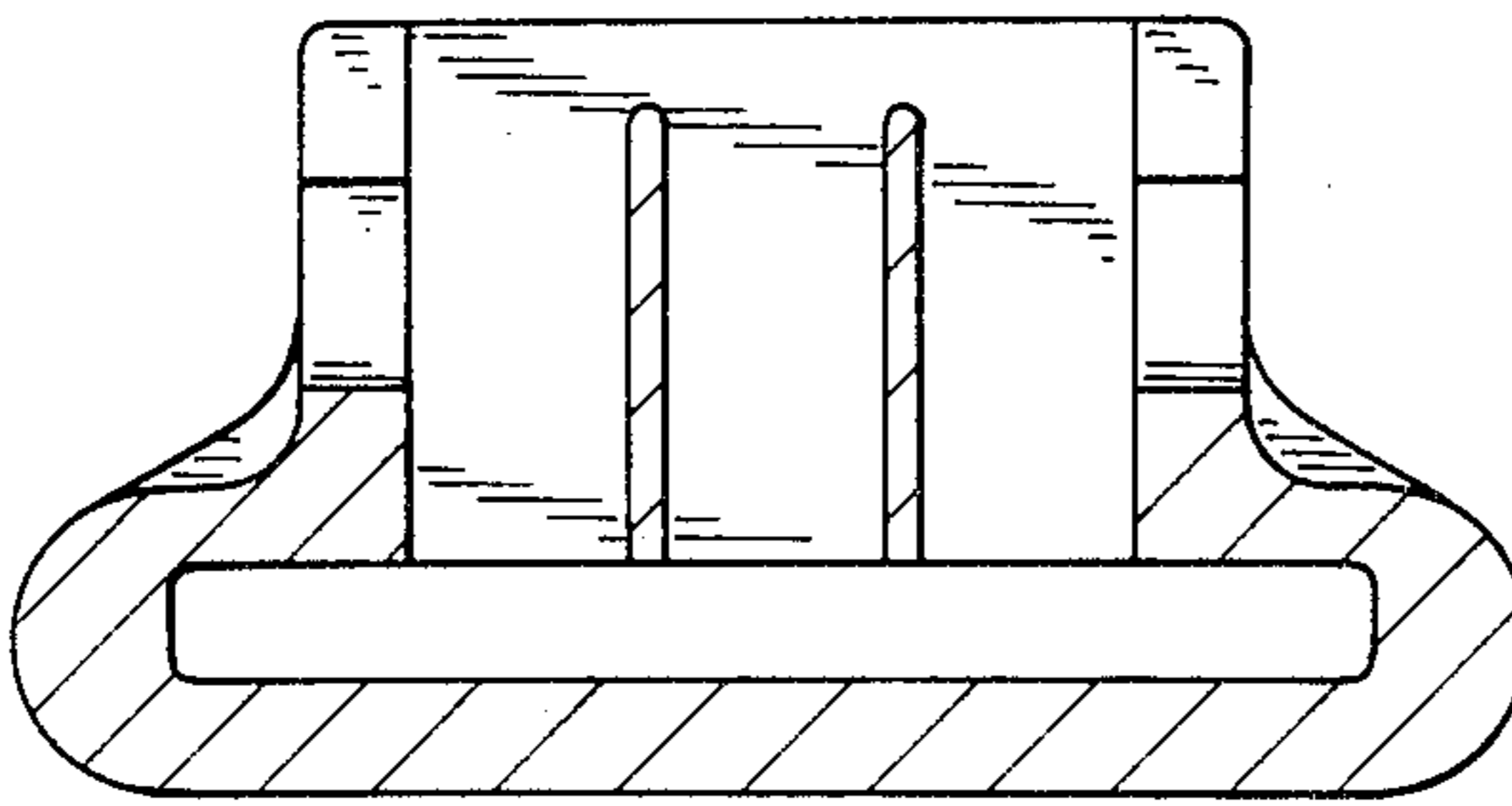


FIG. 18

