

[54] WALL CHIME

[75] Inventor: Monte L. Levin, New York, N.Y.

[73] Assignee: Trine Manufacturing Corporation, New York, N.Y.

[**] Term: 14 Years

[21] Appl. No.: 665,598

[22] Filed: Oct. 29, 1984

[52] U.S. Cl. D10/118

[58] Field of Search D10/2, 6, 22-27, D10/116, 118; 116/141; 368/10; 340/384 R, 384 E, 392-394, 404-405

[56] References Cited

U.S. PATENT DOCUMENTS

- D. 107,411 12/1937 Evans D10/118
- D. 107,757 1/1938 Evans D10/118

- D. 123,063 10/1940 Rittenhouse D10/118
- D. 180,518 6/1957 Jolly D10/118
- D. 182,819 5/1958 Jolly D10/118
- D. 198,956 8/1964 Kress D10/118
- D. 215,188 9/1969 Doggart D10/118
- D. 284,171 6/1986 Levin D10/118

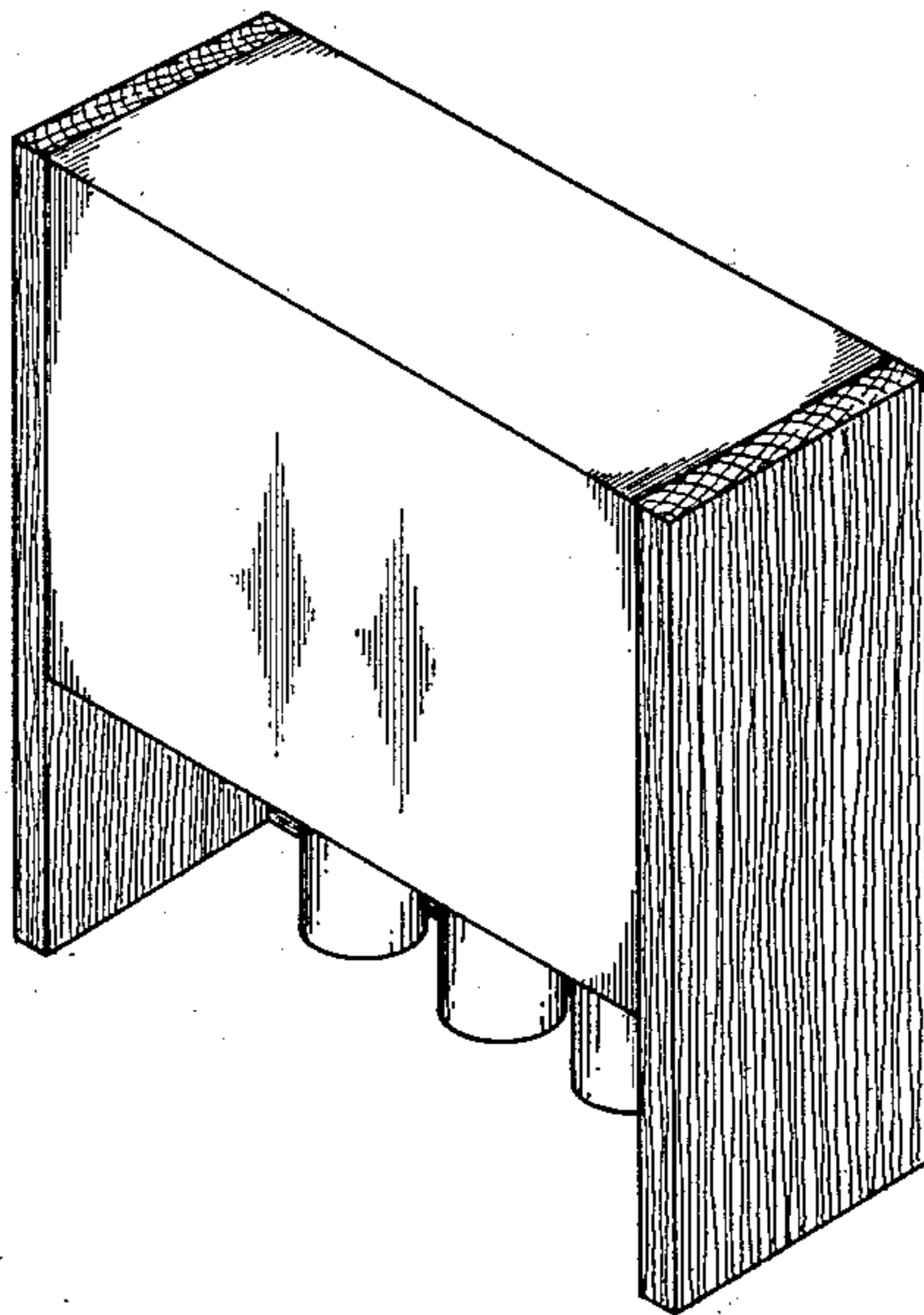
Primary Examiner—Nelson C. Holtje
Attorney, Agent, or Firm—Brooks Haidt Haffner & Delahunty

[57] CLAIM

The ornamental design for a wall chime, substantially as shown and described.

DESCRIPTION

FIG. 1 is a top and right front perspective view of a wall chime showing my new design;
FIG. 2 is a left side elevational view thereof;
FIG. 3 is a bottom plan view thereof;
FIG. 4 is a rear elevational view thereof.



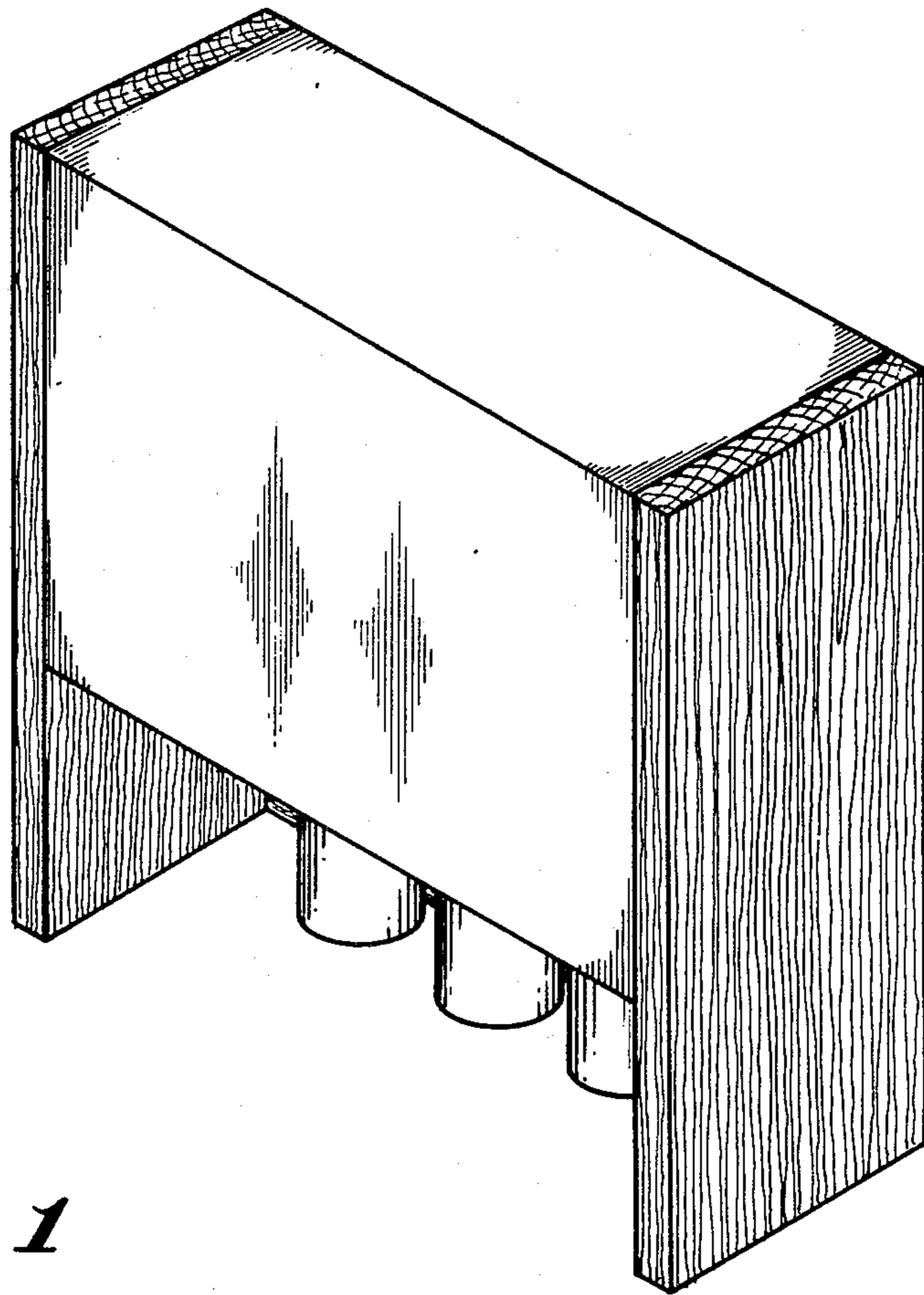


Fig. 1

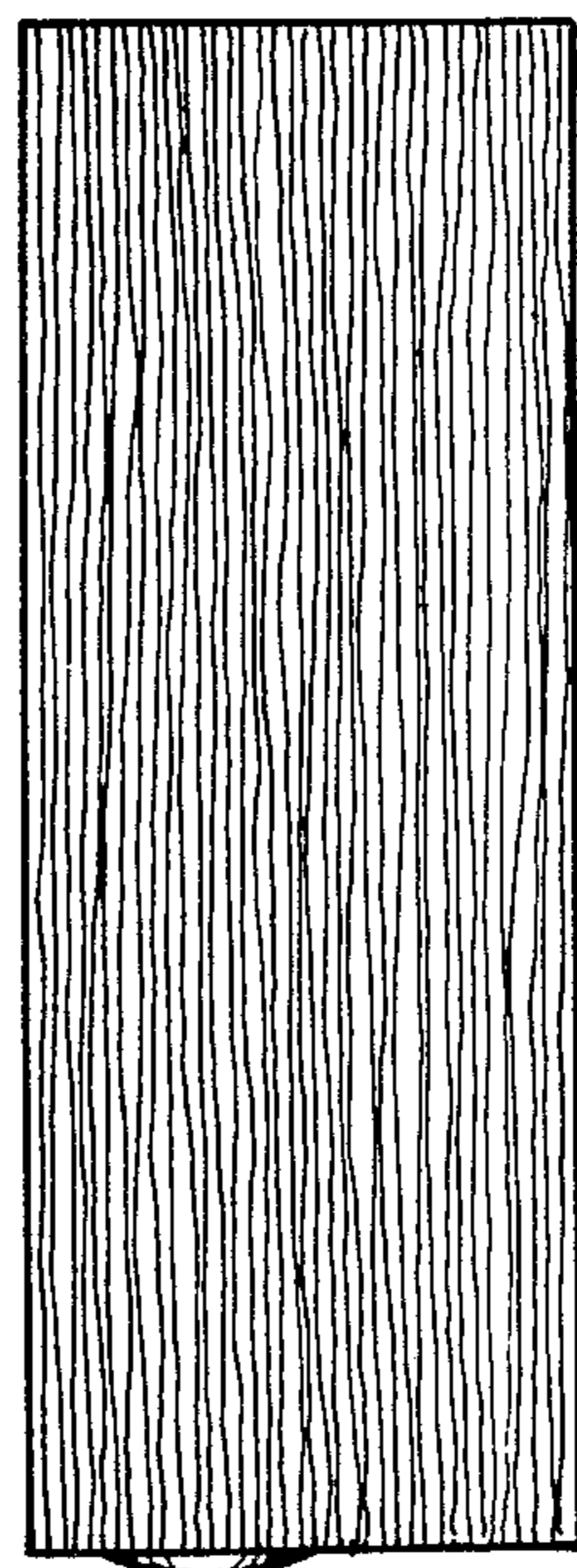


Fig. 2

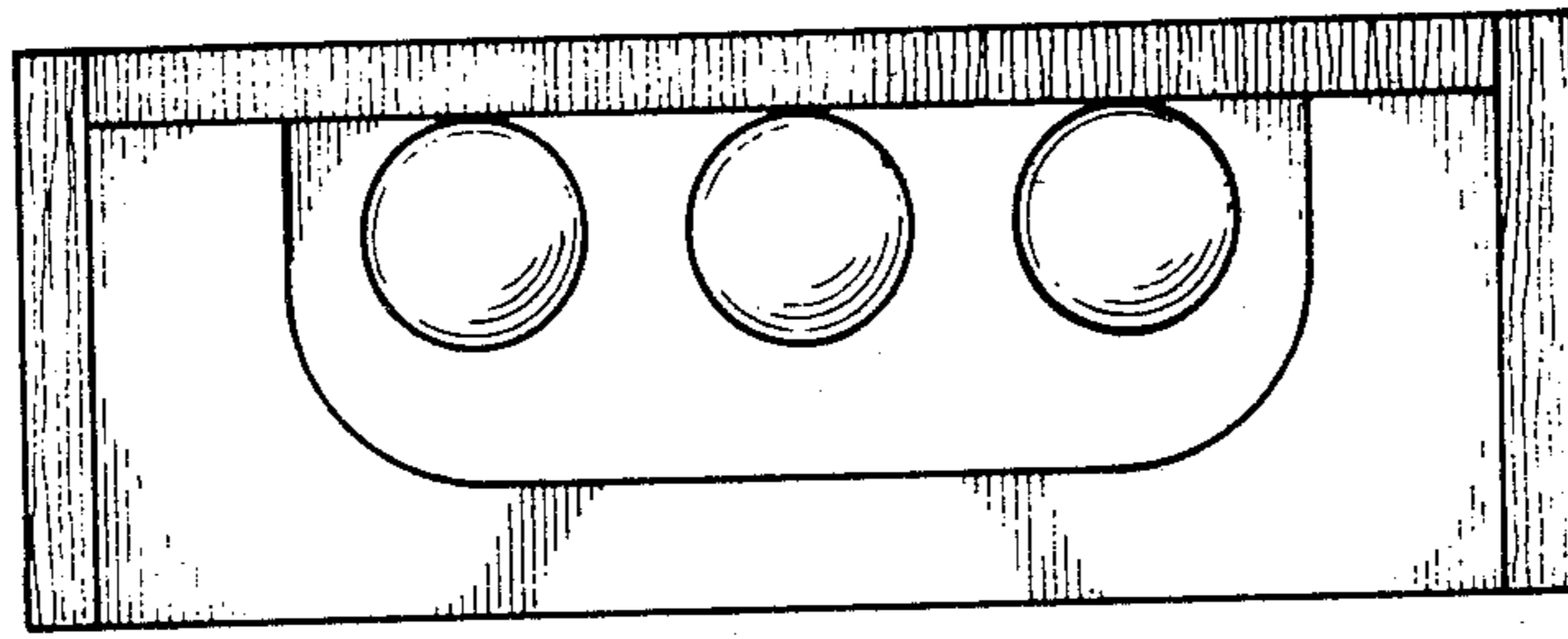


Fig. 3

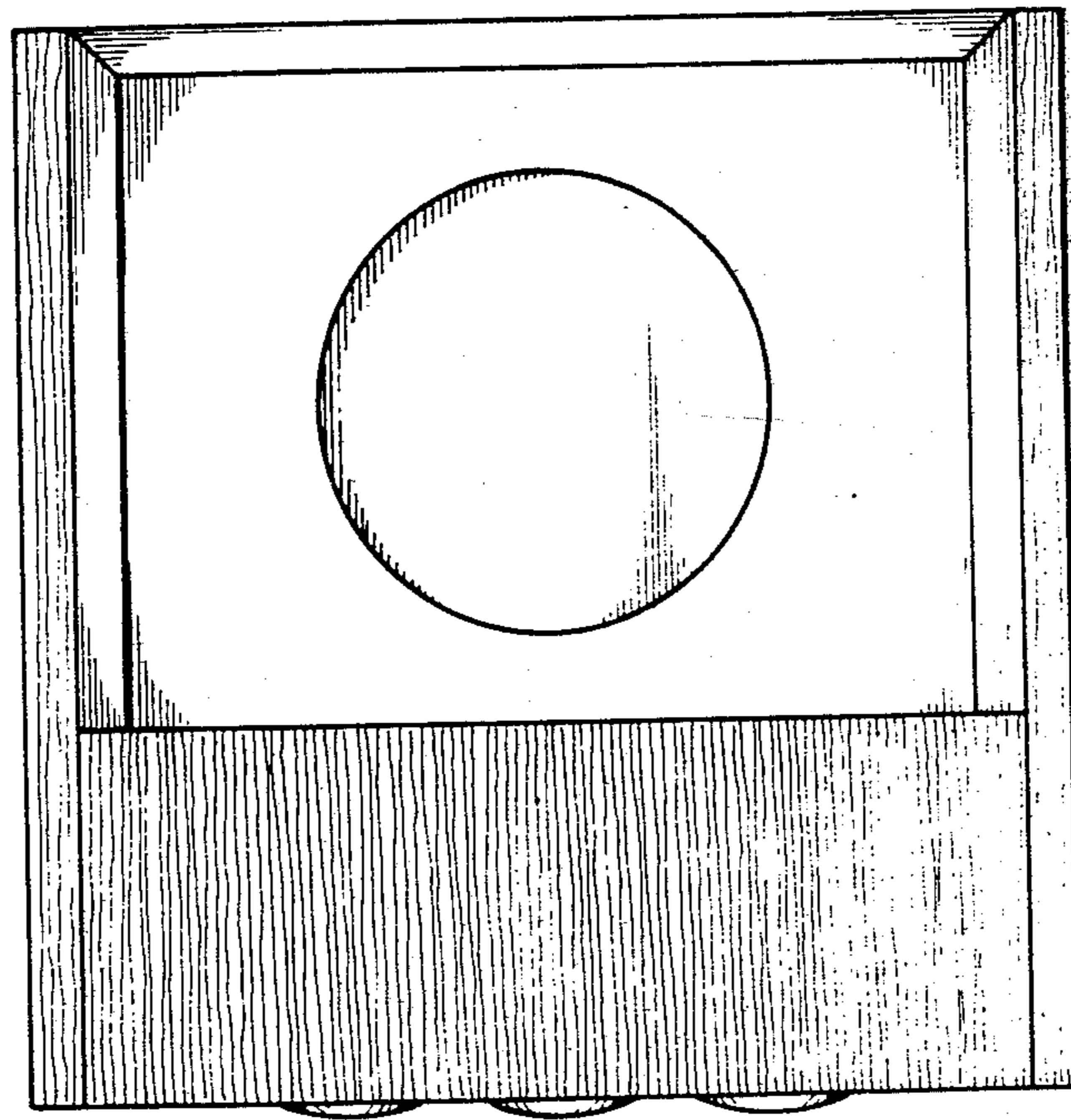


Fig. 4