

[54] BOTTLE

[75] Inventors: **Randall K. Julian; David M. Wright,**  
both of Evansville, Ind.

[73] Assignee: **Sunbeam Plastics Corporation,**  
Evansville, Ind.

[\*\*] Term: **14 Years**

[21] Appl. No.: **637,494**

[22] Filed: **Aug. 3, 1984**

[52] U.S. Cl. .... **D9/370; D9/403**

[58] Field of Search ..... **D9/370, 401, 403, 404,**  
**D9/405, 413; 215/1 R, 1 C**

[56] **References Cited**

**U.S. PATENT DOCUMENTS**

- D. 93,193 8/1934 Laufer ..... D9/401
- D. 265,627 8/1982 Segal ..... D9/403 X
- D. 275,455 9/1984 Glaser ..... D9/401
- D. 277,362 1/1985 Epperson ..... D9/370
- D. 278,975 5/1985 Gurolnick ..... D9/370
- D. 278,977 5/1985 Franchi et al. .... D9/370 X
- D. 282,639 2/1986 Beaver et al. .... D9/403

*Primary Examiner*—Robert C. Spangler

*Attorney, Agent, or Firm*—Irvin L. Groh

[57] **CLAIM**

The ornamental design for a bottle, as shown and described.

**DESCRIPTION**

FIG. 1 is a top plan view of a bottle showing our new design;

FIG. 2 is an elevational view, the opposite side being the same in appearance;

FIG. 3 is a view looking from the right of FIG. 2, the opposite side being the same in appearance;

FIG. 4 is a sectional view taken on the line 4—4 of FIG. 2;

FIG. 5 is a bottom plan view;

FIG. 6 is an elevational view showing a modified form of our new design, the opposite side being the same in appearance;

FIG. 7 is a top plan view;

FIG. 8 is a view looking from the right of FIG. 6, the opposite side being the same in appearance;

FIG. 9 is a sectional view taken on the line 9—9 of FIG. 8; and

FIG. 10 is a bottom plan view.

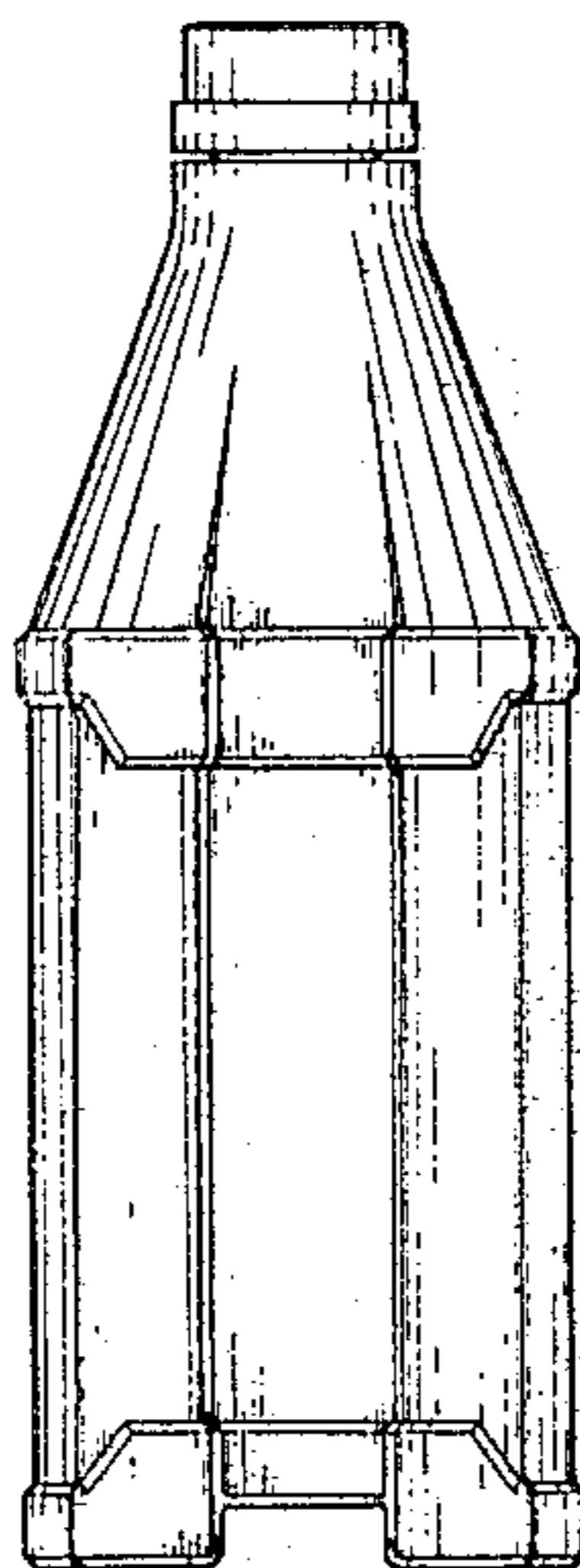


Fig-1

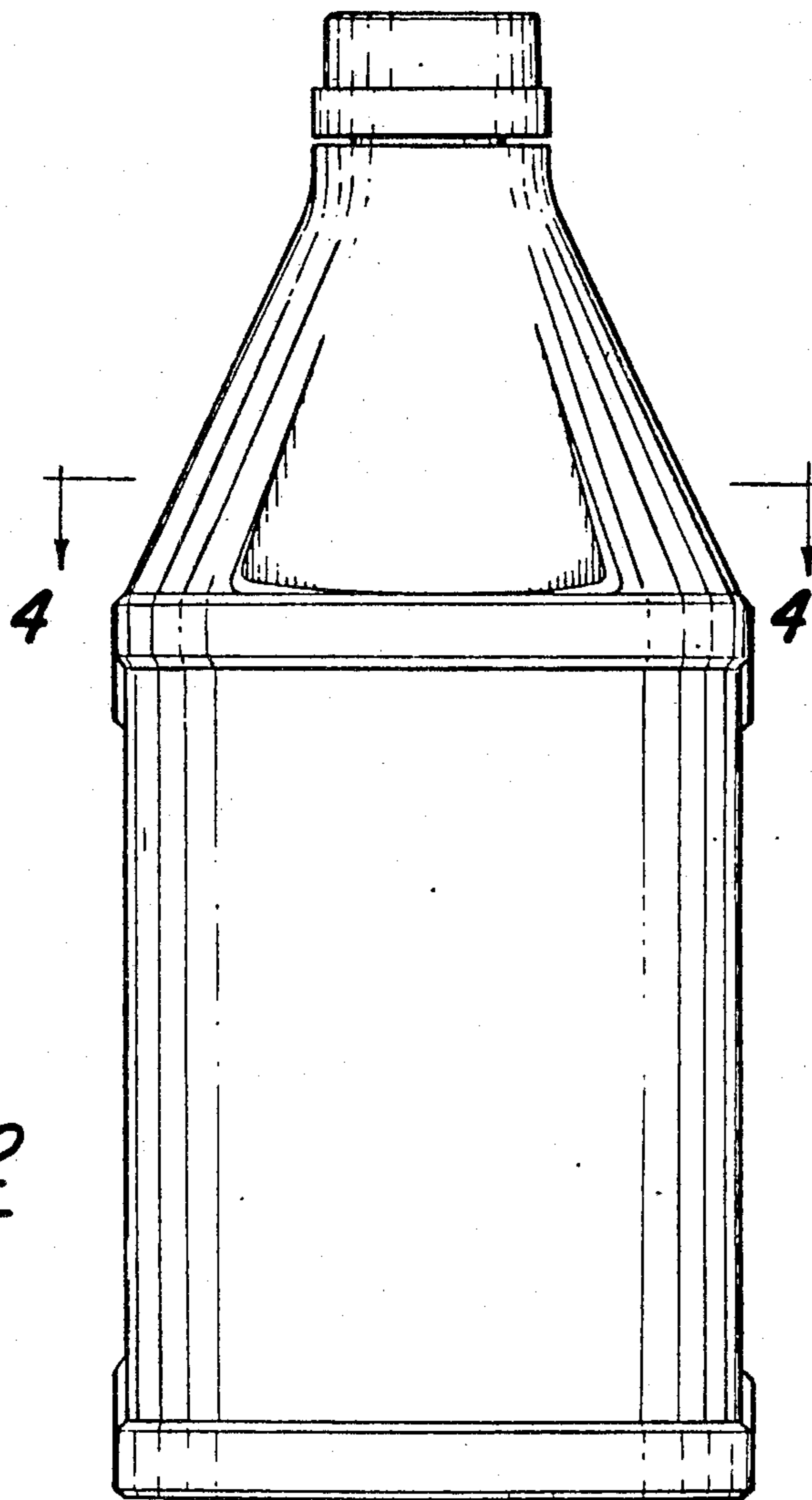
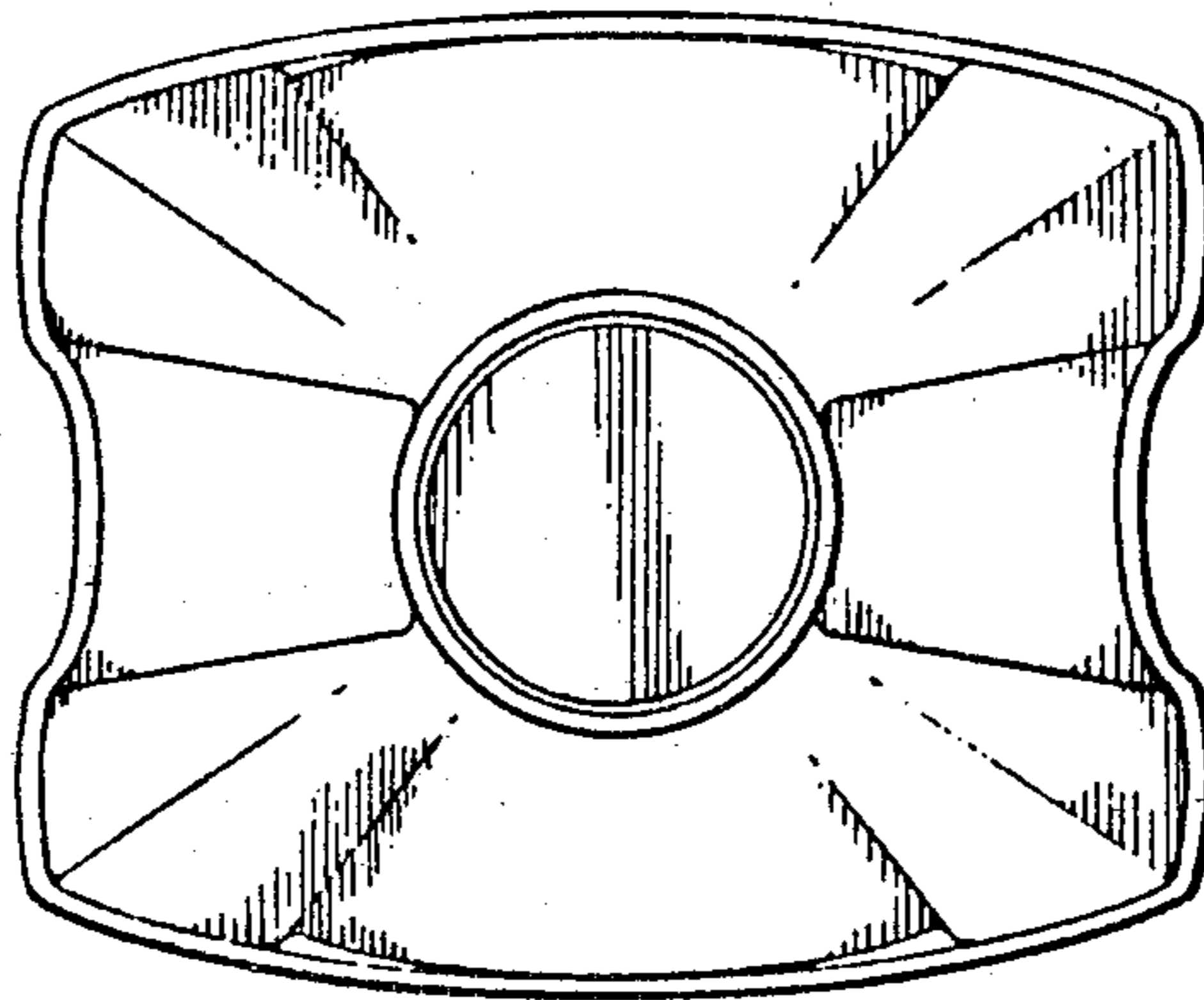


Fig-2

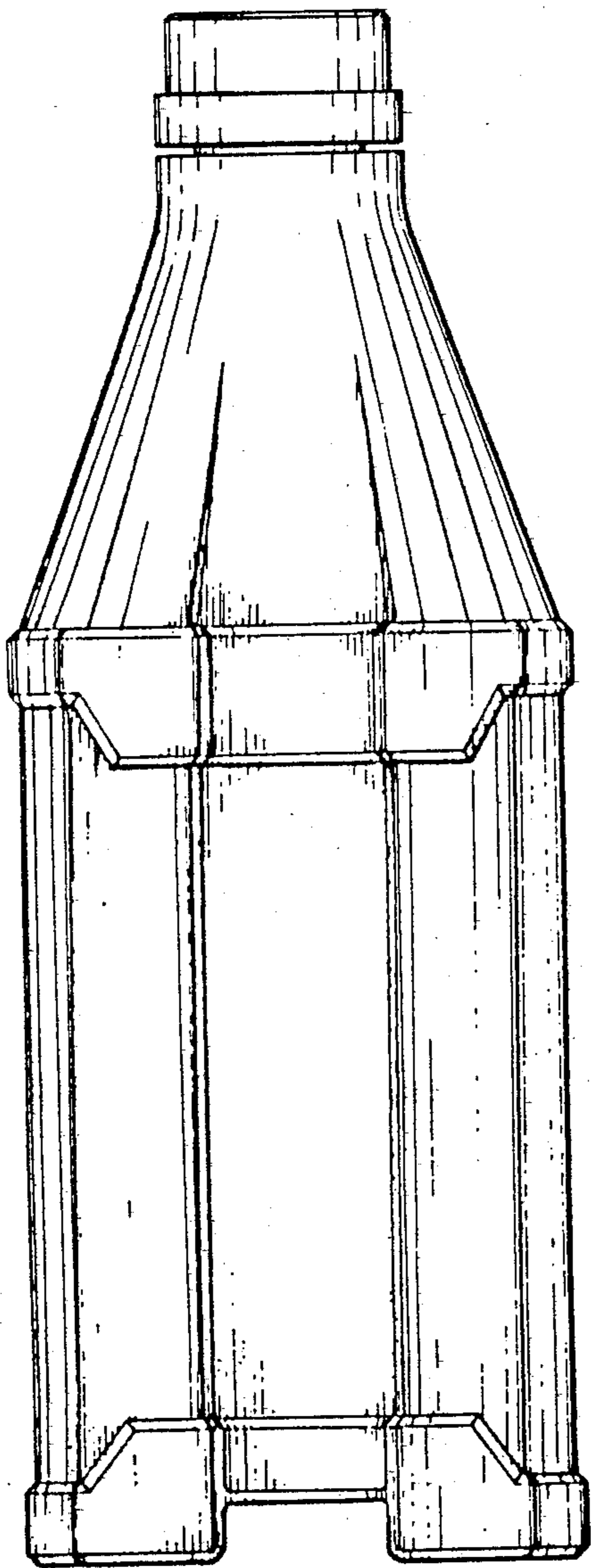


Fig-3

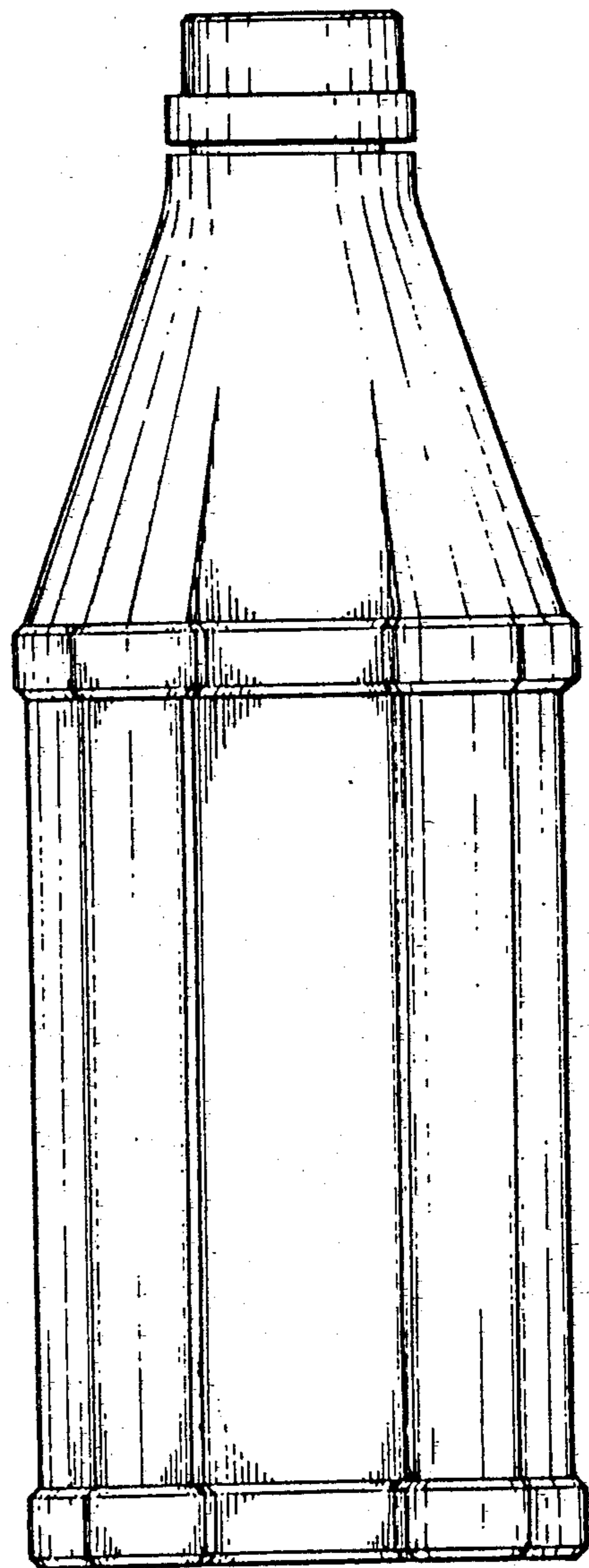


Fig-6

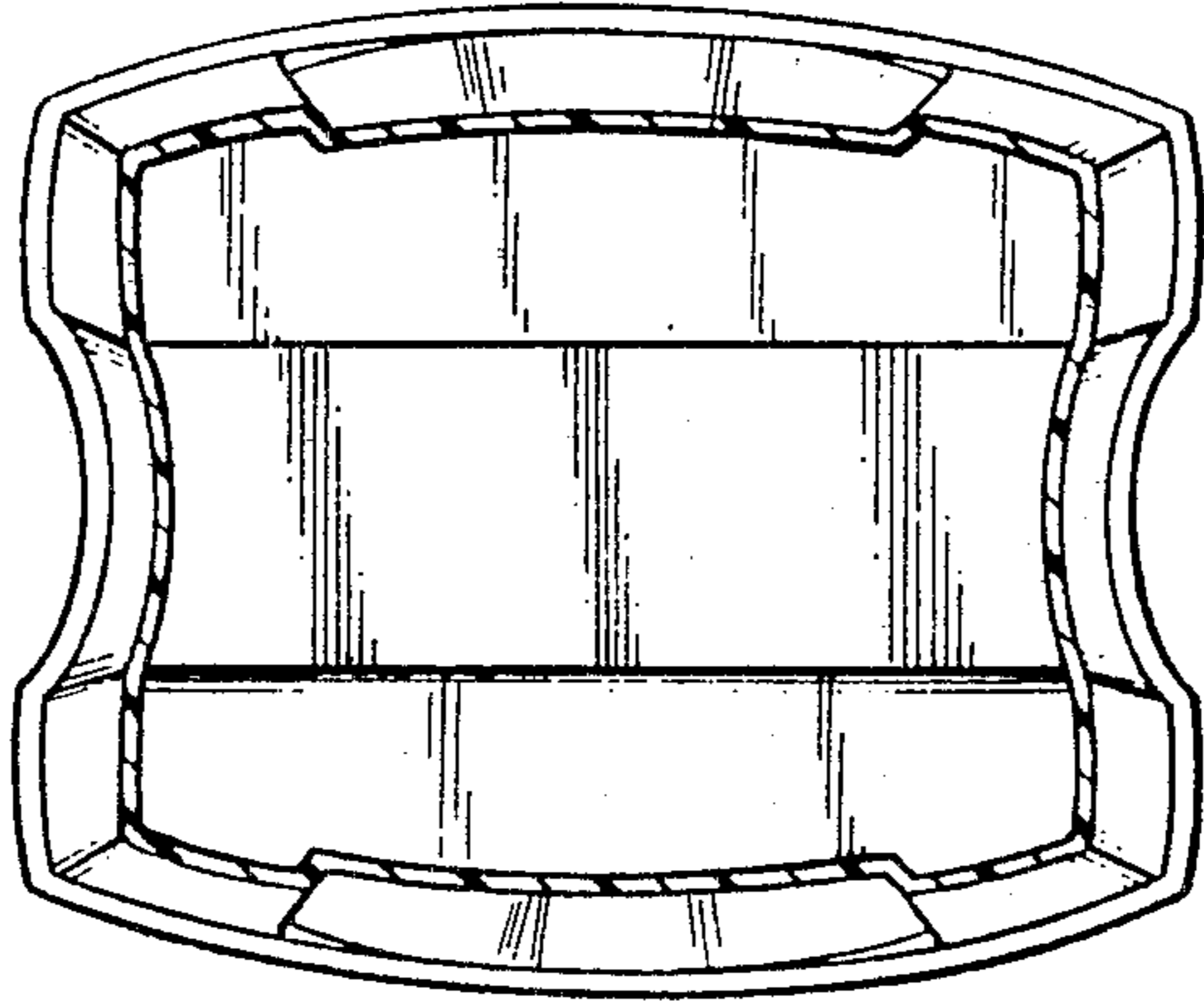


Fig - 4

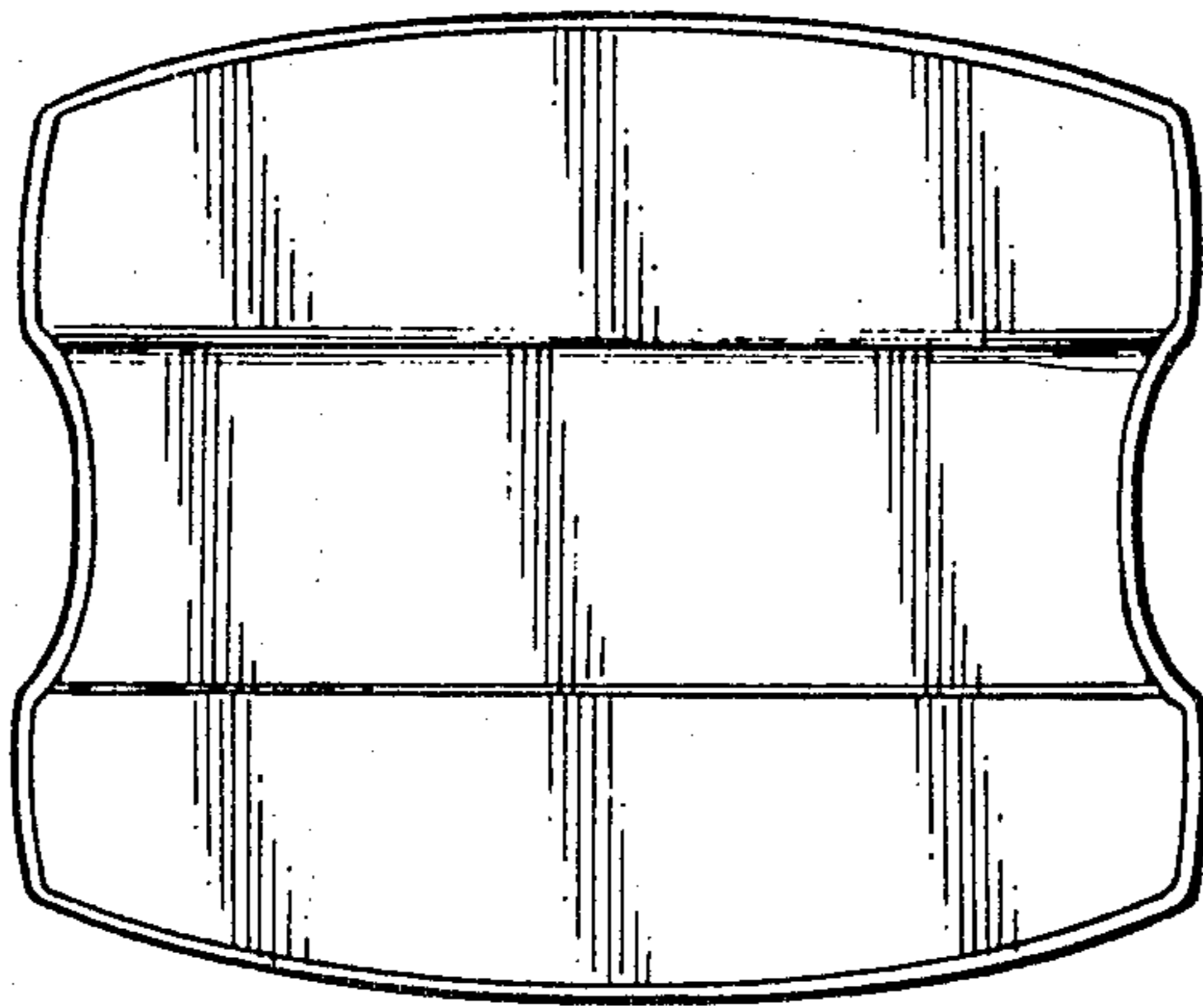


Fig - 5

Fig-7

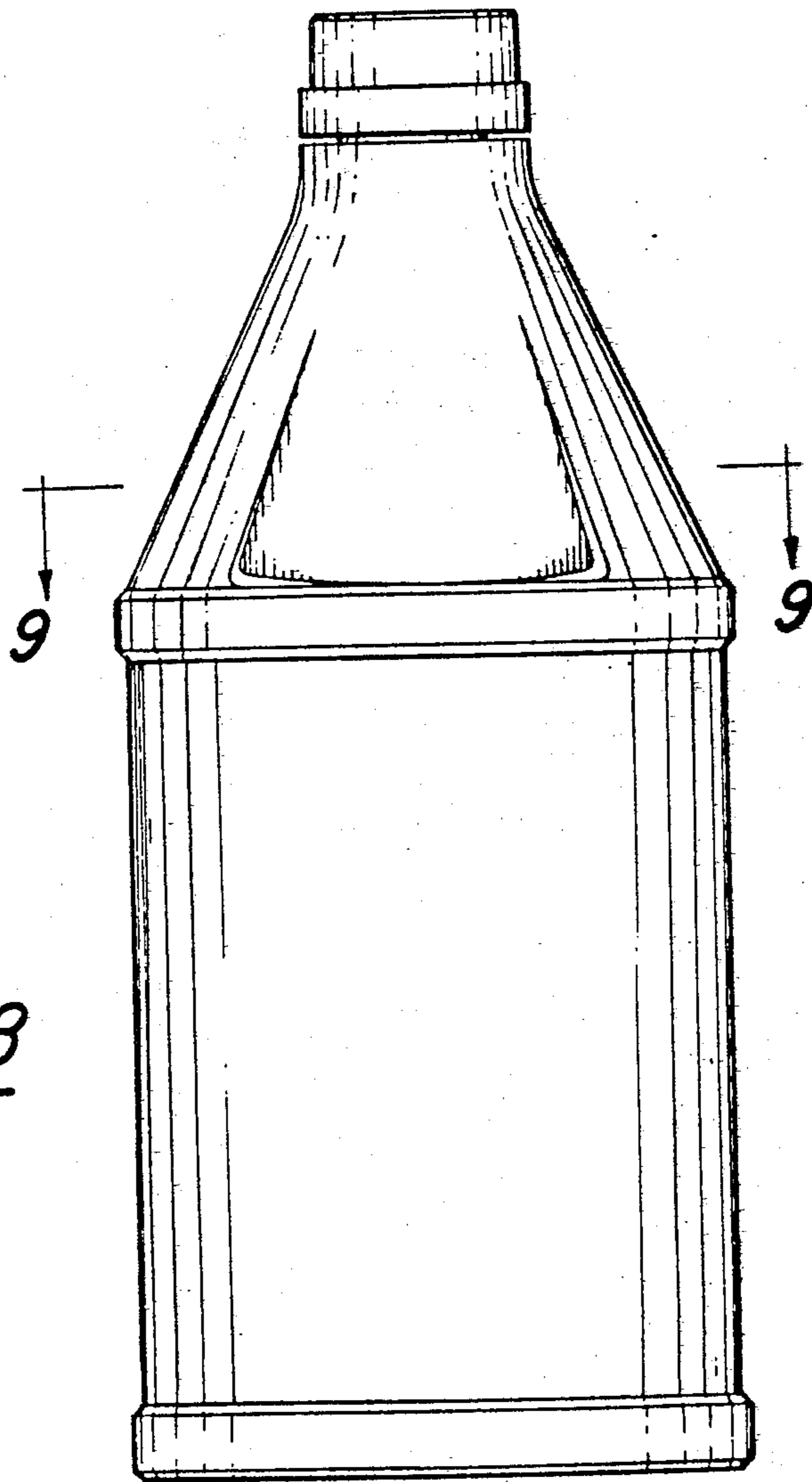
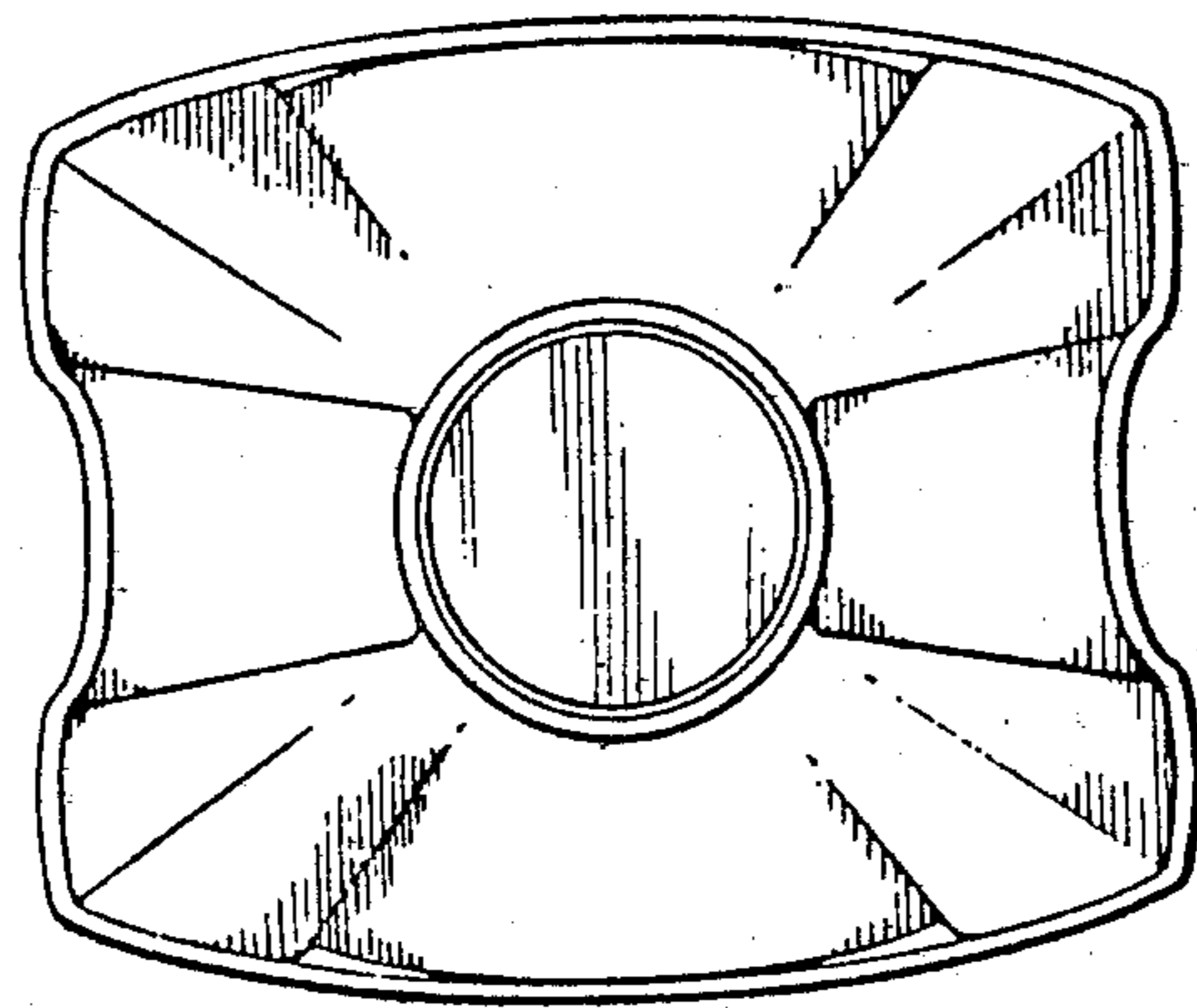


Fig-8



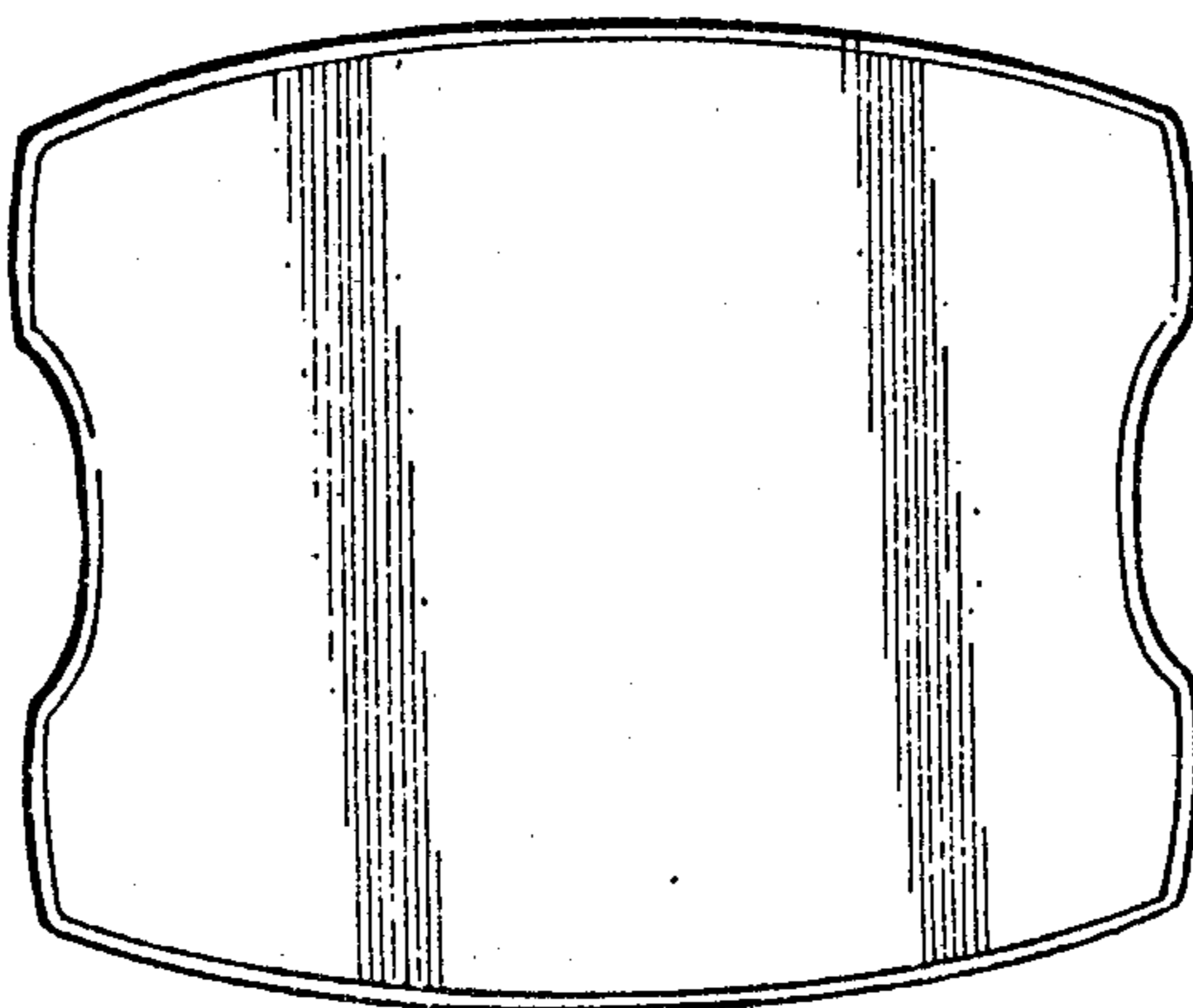


Fig-10

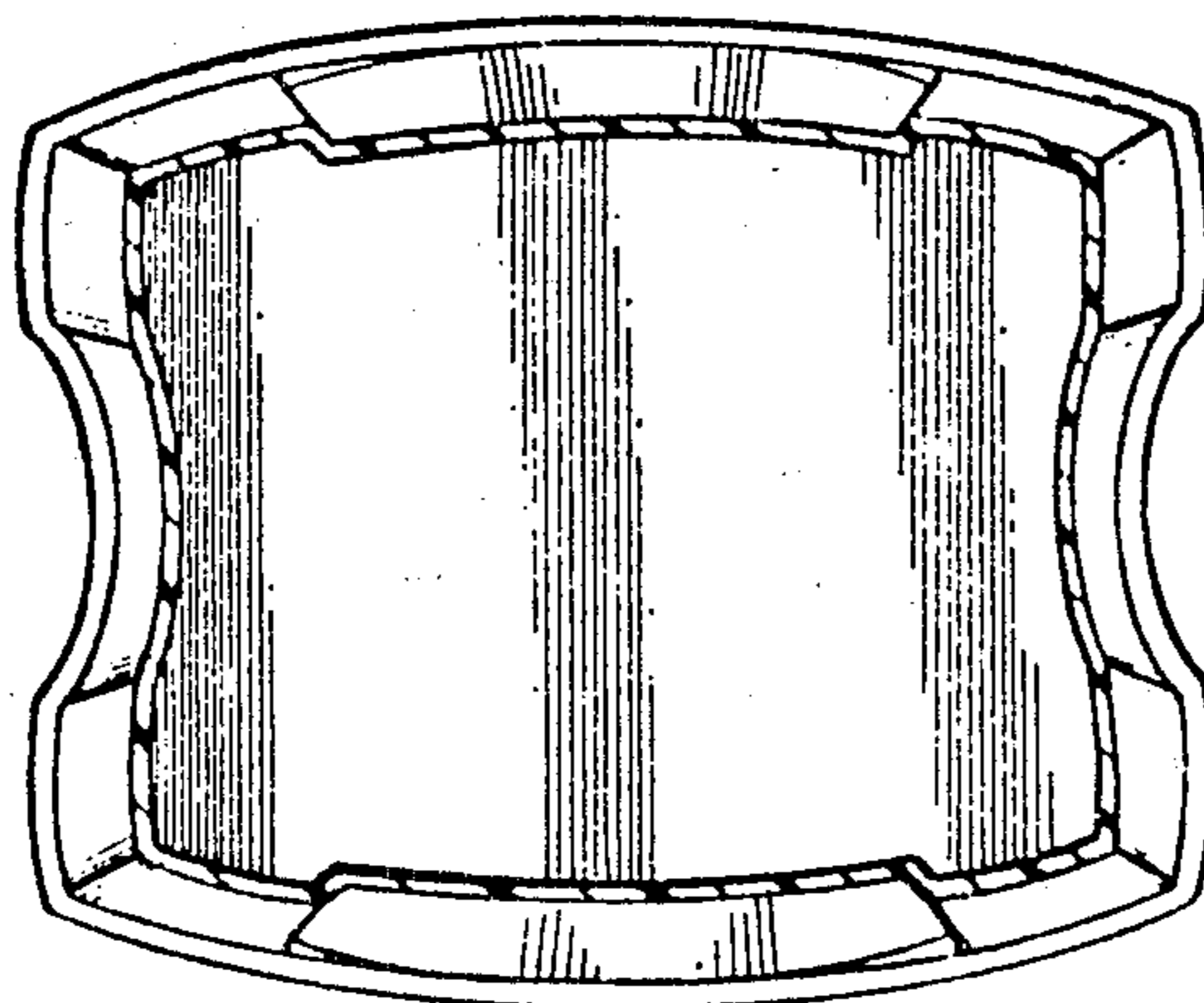


Fig-9