

[54] MAGNETIC HOLDER FOR SOCKETS

[76] Inventor: Jack C. Oates, 200 Lake Shore Dr., Easley, S.C. 29641

[**] Term: 14 Years

[21] Appl. No.: 638,644

[22] Filed: Aug. 6, 1984

[52] U.S. Cl. D8/71

[58] Field of Search D8/14, 102, 45, 71, D8/107; D7/142; D19/37; 81/16, 44, 487; 269/8, 16; 211/70.6, DIG. 1, 60 T, 13

[56] References Cited

U.S. PATENT DOCUMENTS

D. 35,294	11/1901	Forfar	D19/37 X
D. 237,449	11/1975	Montesi	D7/142
762,307	6/1904	Hawksworth	D8/45 X
1,668,478	5/1928	Anderson	D7/142 X
1,948,592	2/1934	Nelson	D7/142 X
2,322,046	6/1943	Miller	D7/142 X
3,608,944	9/1971	Turner	D8/45 X
3,842,980	10/1974	Kushner	211/DIG. 1

4,337,860	7/1982	Carrigan	211/70.6
4,621,738	11/1986	DeLucchi	211/13

Primary Examiner—Susan J. Lucas
Assistant Examiner—C. E. Heflin
Attorney, Agent, or Firm—Cort Flint

[57] CLAIM

The design for a magnetic holder for sockets, substantially as shown and described.

DESCRIPTION

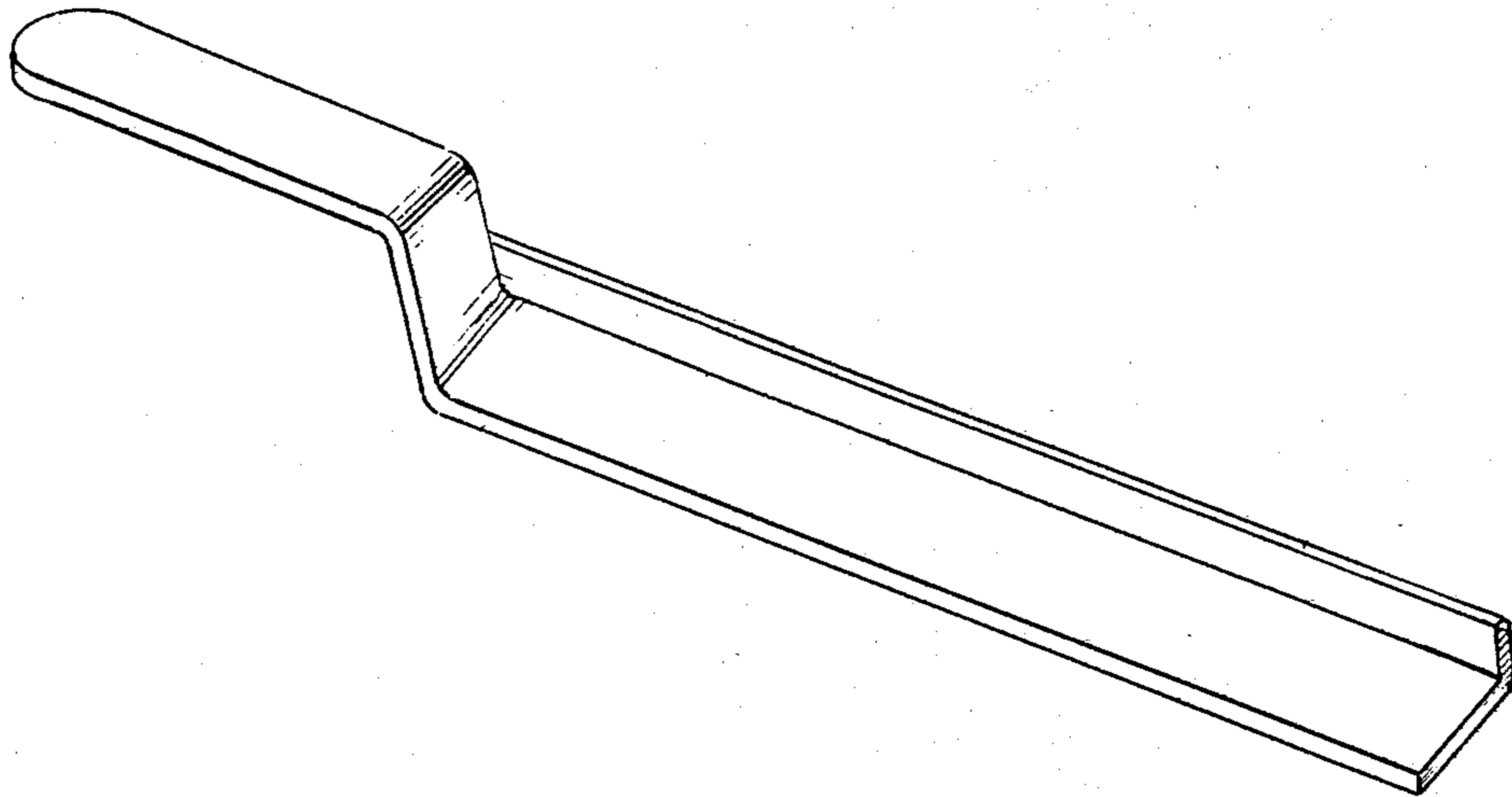
FIG. 1 is a top, front and one side perspective view of the magnetic holder for sockets showing my new design;

FIG. 2 is a bottom, rear and opposite side perspective view thereof;

FIG. 3 is a top, front and one side perspective view of the magnetic holder for sockets showing an alternate embodiment of my new design;

FIG. 4 is a bottom, rear and opposite side perspective view thereof.

The sockets in FIGS. 2 and 4 are shown in broken lines for illustrative purposes only.



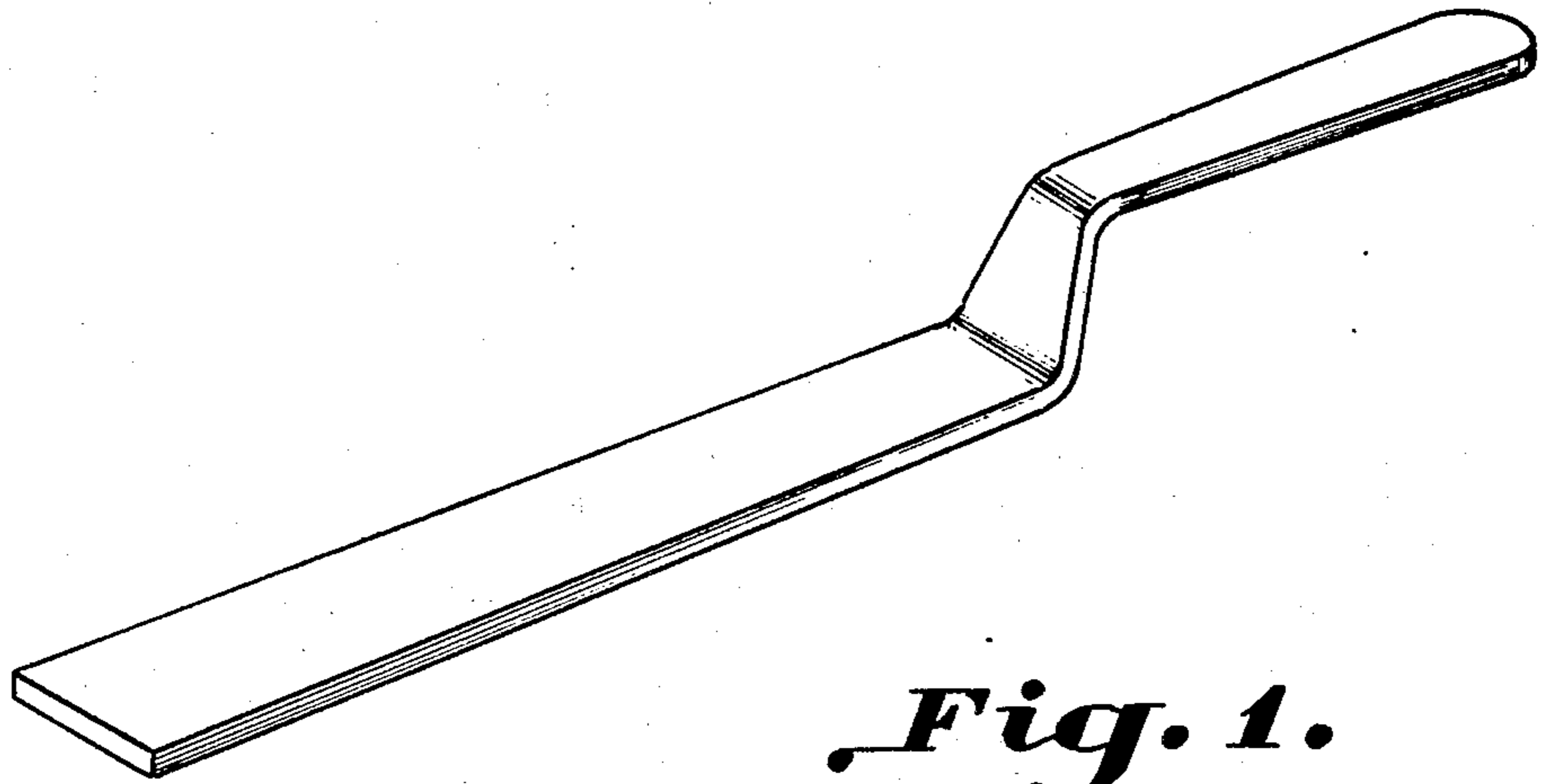


Fig. 1.

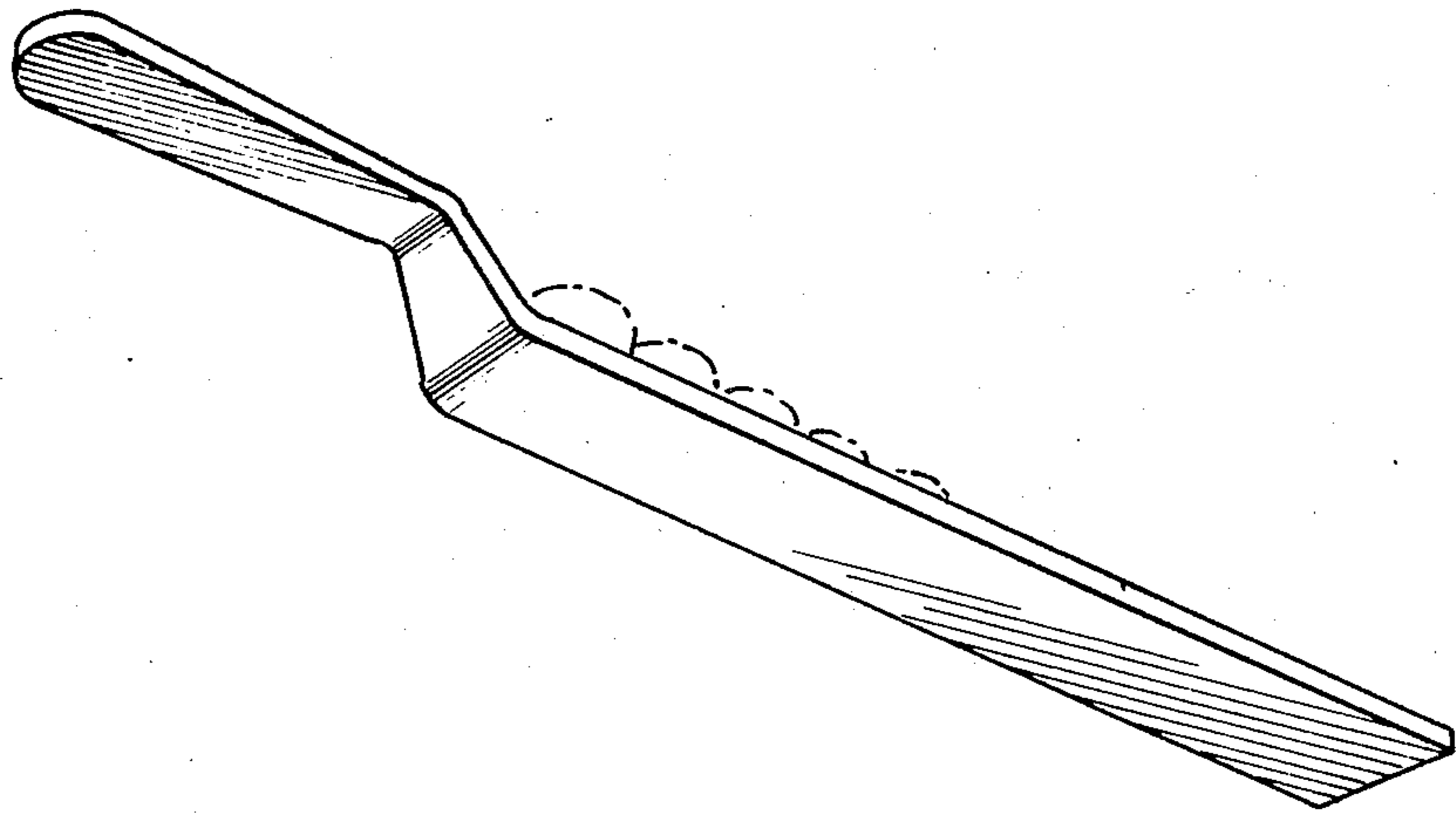


Fig. 2.

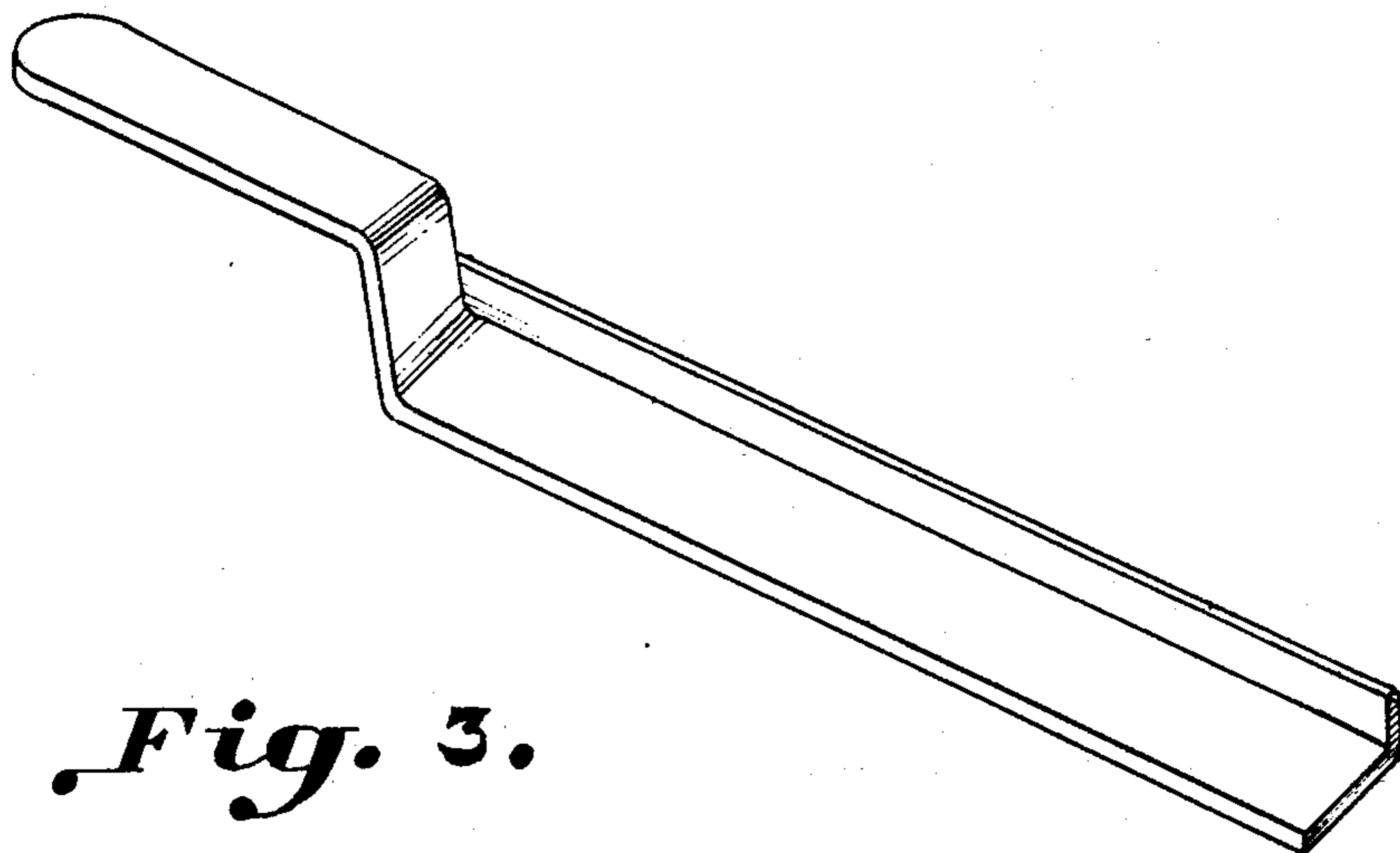


Fig. 3.

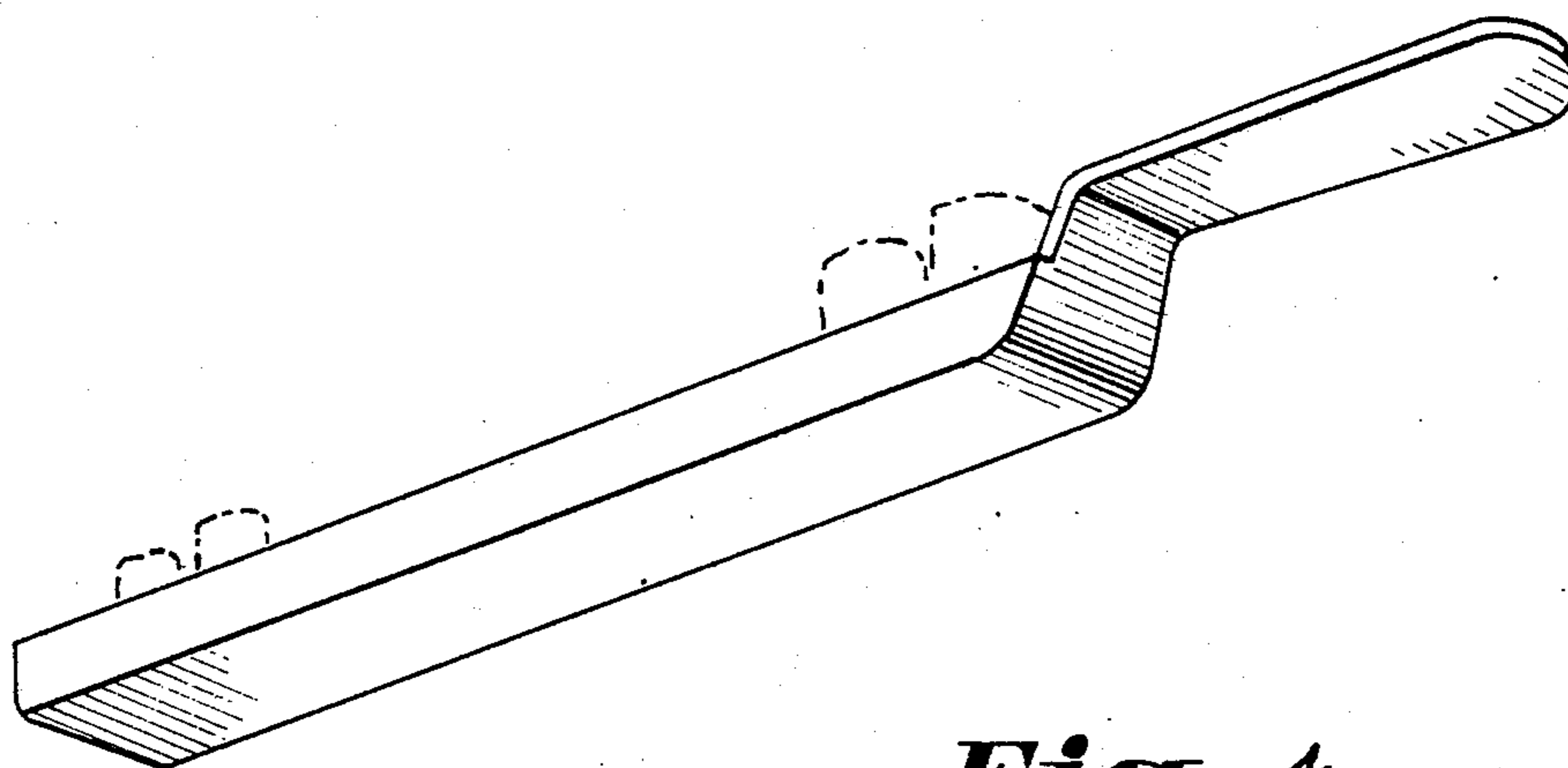


Fig. 4.