

[54] COMBINED HAND-HELD CORDLESS ELECTRIC DRILL AND HOLSTER THEREFOR

[75] Inventors: Lawrence E. House, II; Robert I. Somers, both of Raleigh, N.C.

[73] Assignee: Black & Decker, Inc.

[**] Term: 14 Years

[21] Appl. No.: 646,138

[22] Filed: Aug. 31, 1984

[52] U.S. Cl. D8/68

[58] Field of Search D8/61-69, D8/70; 81/54, 57.11; 173/163, 170; 408/124

[56] References Cited

U.S. PATENT DOCUMENTS

D. 203,413	1/1966	Rawson et al.	D8/68
D. 225,300	12/1972	Boldt	D8/68
2,450,380	9/1948	Perham	173/170
2,966,138	12/1960	Quackenbush	173/163
3,173,417	3/1965	Horner	408/124 X
4,251,120	2/1981	Wolff	408/124 X

OTHER PUBLICATIONS

Black & Decker 1982-83 Consumer Catalog, Form 353-6-1-82, 1982, cover (back and front) and pp. 95 and 96.

Black & Decker Household Products Catalog, 1984-85, Form No. 370, 1984, cover (back and front) and pp. 9 & 11.

Black & Decker Power Tool Accessories Catalog, Form 369, 1984, cover (back and front) and p. 32.

Black & Decker Power Tools Catalog, Form No. 368, 1984, cover (back and front) and p. 29.

Makita Power Tools Catalog, 1982-A, publication date unknown, cover and p. 36.

Wen Dealer Catalog CA-1080, cover and p. 4.

Skil Power Tool Catalog, date of publication unknown, cover and p. 22.

Black & Decker Air Tools Catalog Nos. AT-1 (6/72), cover (back and front) and p. 14.

Thor Brochure, date unknown.

Silvo Hardware Company, Catalog, 1984, cover and pp. 8 and 20.

Skil Consumer Products Catalog, CP-511, date approximately 1981, cover and pp. 6 and 7.

Shopmate Power Tool Catalog No. 109-72C, date unknown, cover (back and front) and pp. 7 and 8.

Appliance Manufacturer, Sep. 1963, p. 81.

Black & Decker Catalog 302, Jul.-Dec. 1977, cover (back and front) and p. 11.

Sears Catalog of Power and Hand Tools, 1979-80, cover (back and front) and pp. 60 and 61.

Shopcraft brochure entitled "Benchtop and Portable Power Tools", copyright 1981, cover (back and front) and unnumbered page.

Primary Examiner—Susan J. Lucas

Assistant Examiner—C. E. Heflin

Attorney, Agent, or Firm—Finnegan, Henderson, Farabow, Garrett & Dunner

[57] CLAIM

The ornamental design for the combined hand-held cordless electric drill and holster therefor, as shown and described.

DESCRIPTION

FIG. 1 is a right side elevational view of the combined hand-held cordless electric drill and holster therefor showing our new design;

FIG. 2 is a left side elevational view thereof;

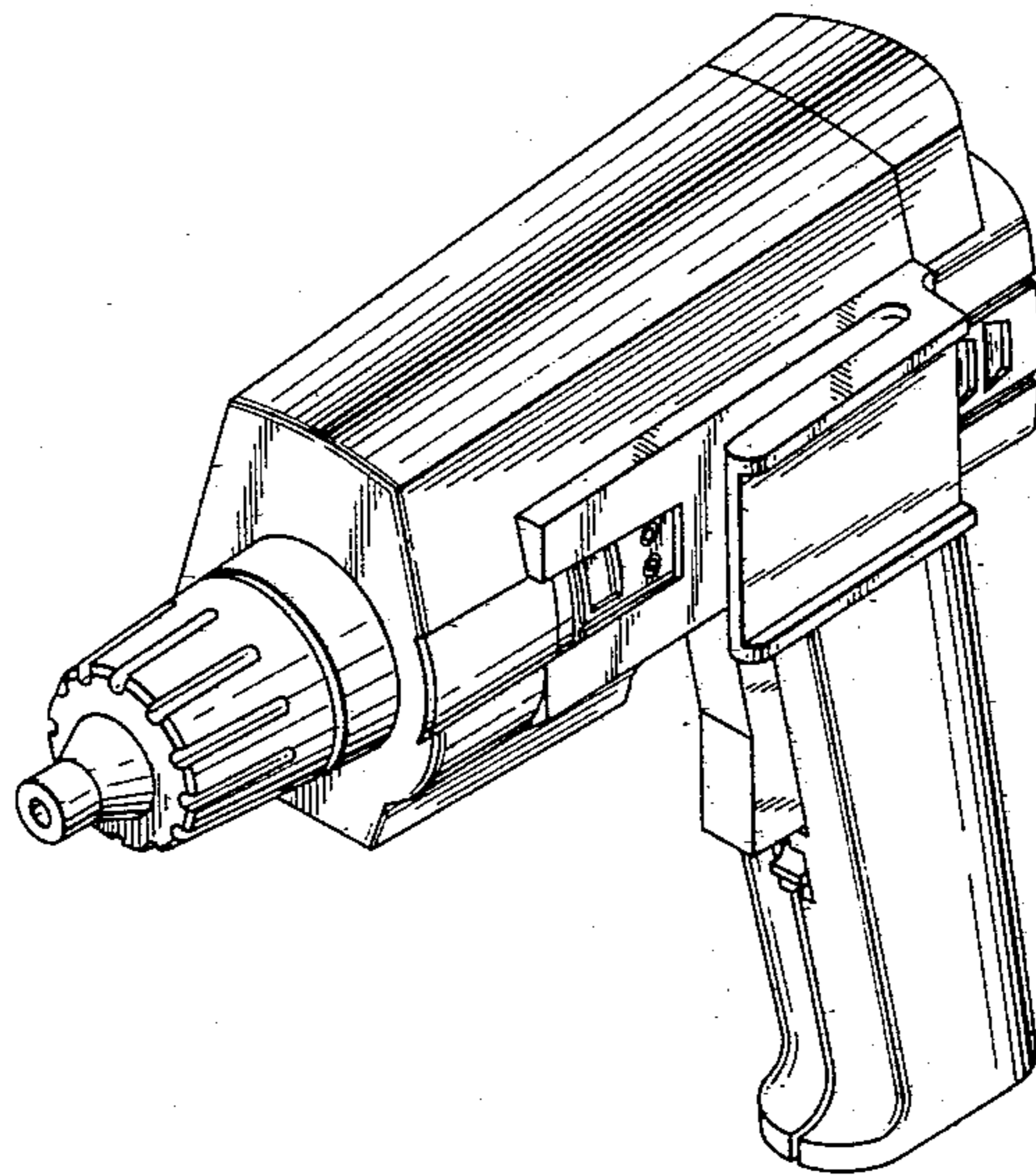
FIG. 3 is a front elevational view thereof;

FIG. 4 is a rear elevational view thereof;

FIG. 5 is a top plan view thereof;

FIG. 6 is a bottom plan view thereof; and

FIG. 7 is a perspective view thereof.



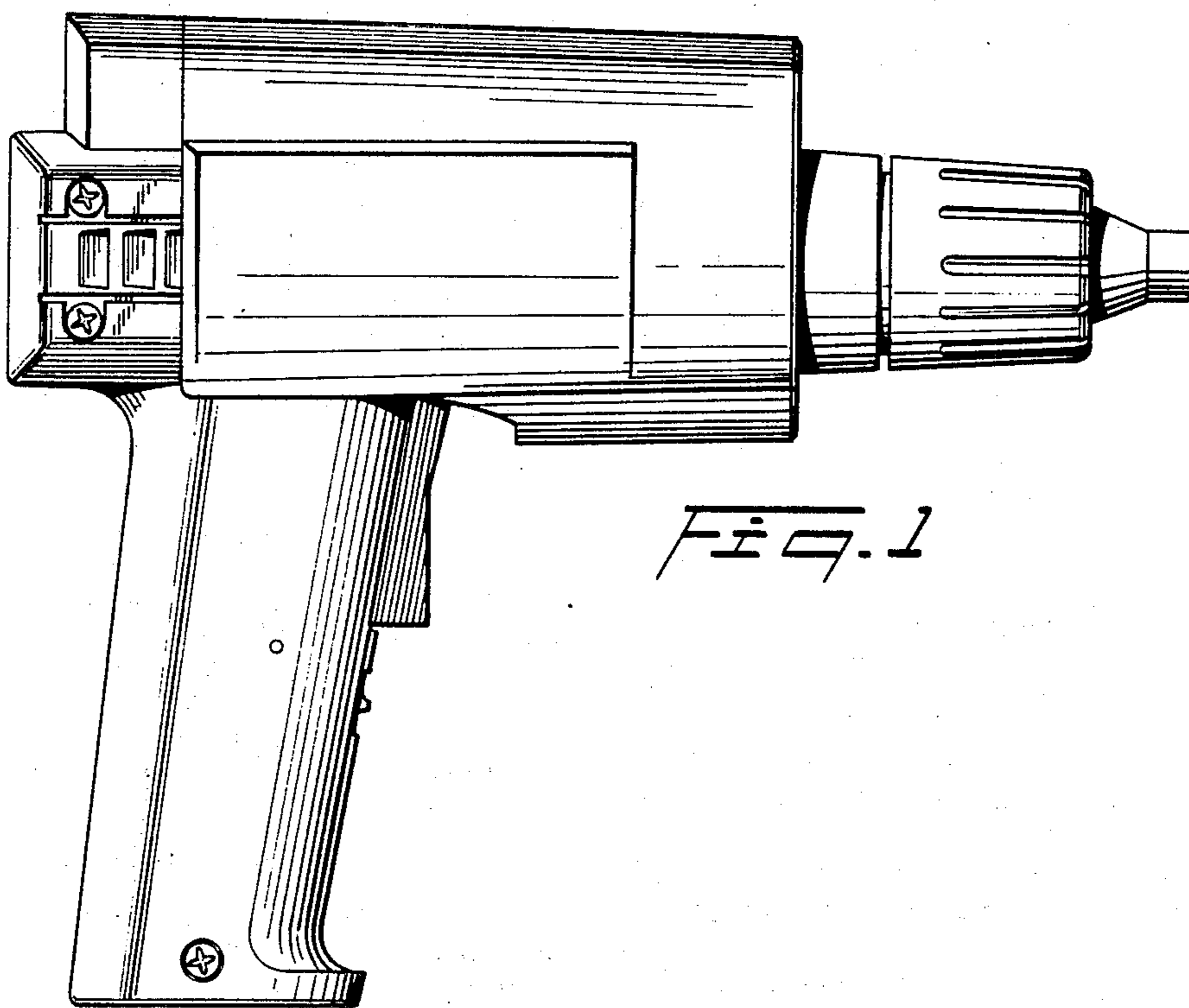


Fig. 1

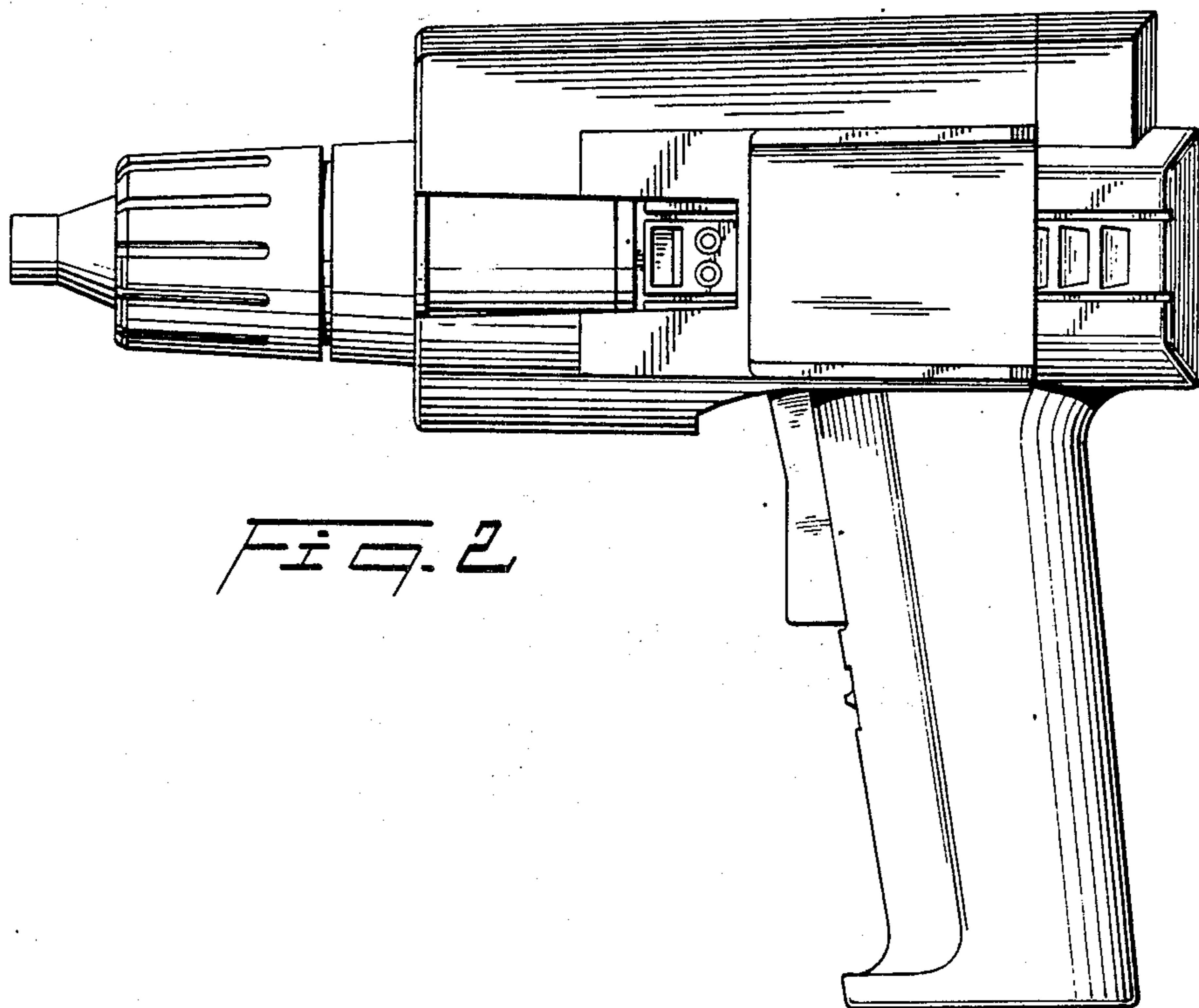


Fig. 2

Fig. 3

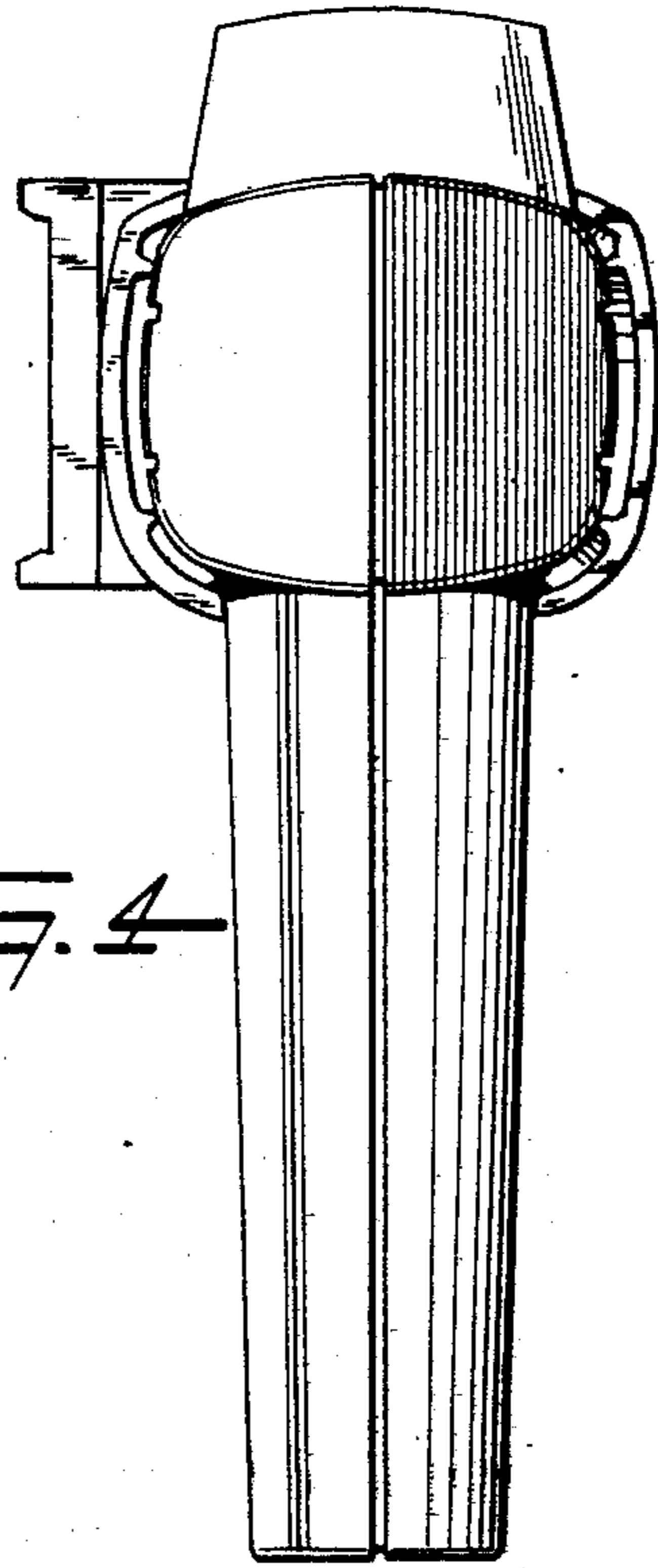
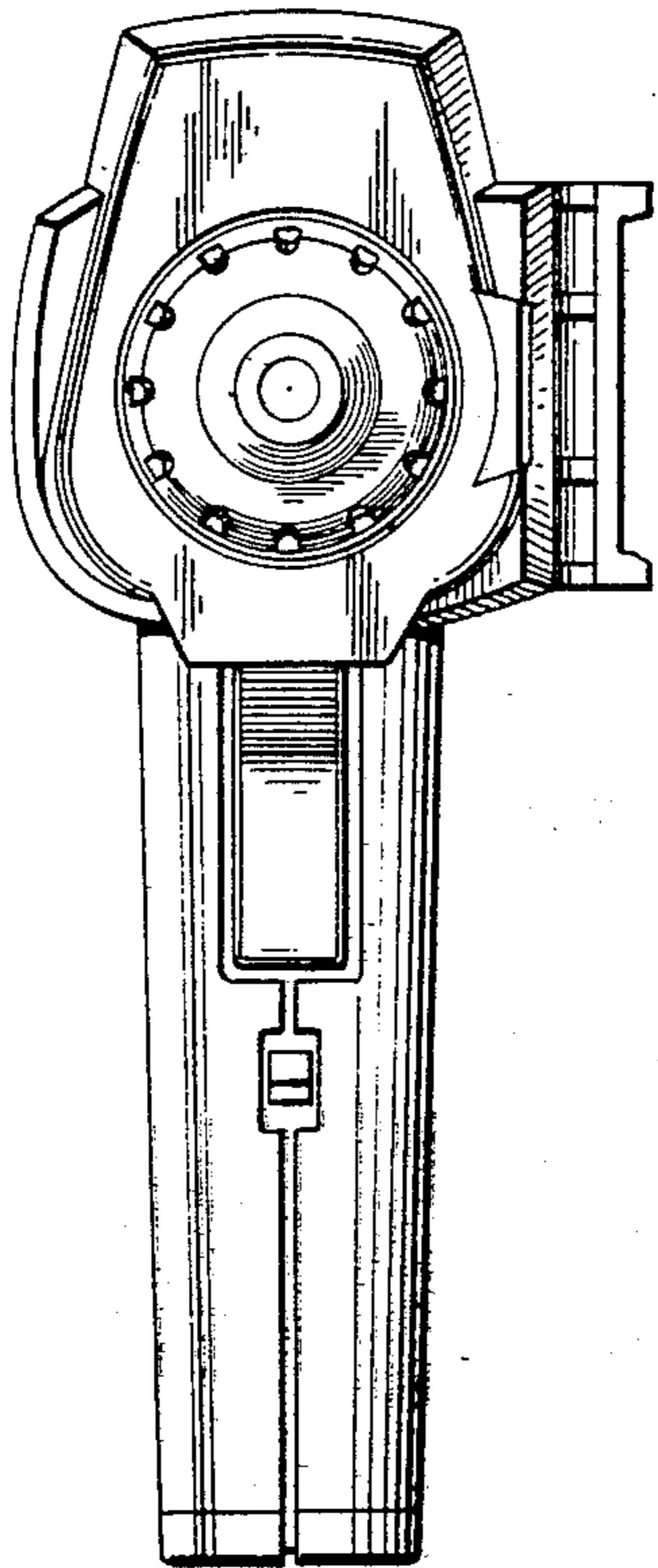


Fig. 4

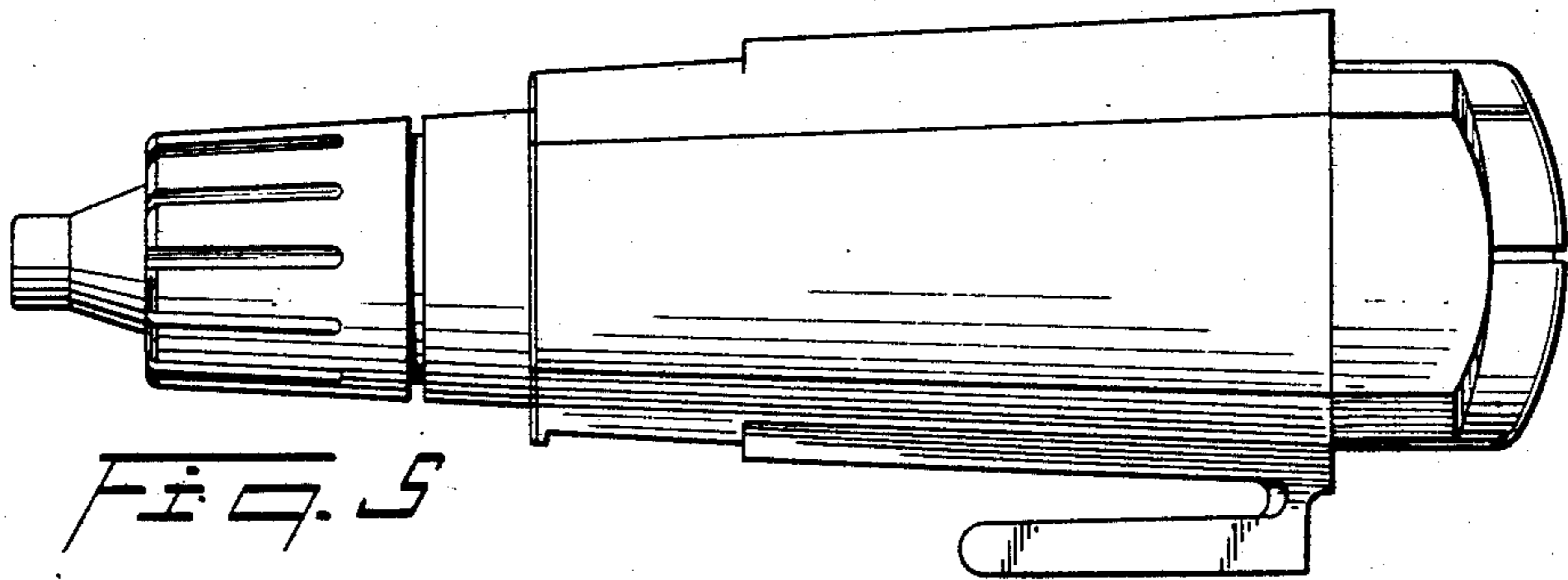


Fig. 5

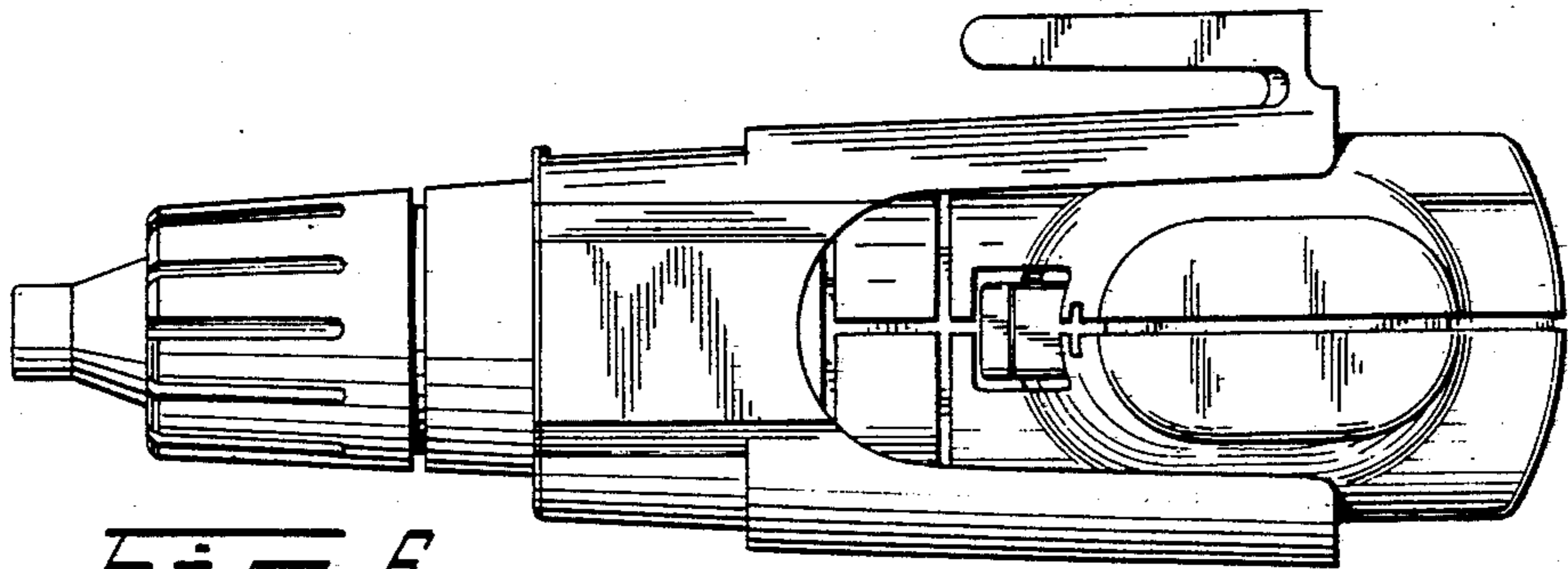


Fig. 6

Fig. 7

