

[54] MIXER

[75] Inventor: Don R. McCloskey, Trappe, Md.

[73] Assignee: Black & Decker, Inc., Towson, Md.

[**] Term: 14 Years

[21] Appl. No.: 681,426

[22] Filed: Dec. 13, 1984

[52] U.S. Cl. D7/379

[58] Field of Search D7/376-386;
241/168, 169.1; 366/297, 279, 205, 314, 129,
343

3,271,013 9/1966 Chambers et al. 366/343 X

OTHER PUBLICATIONS

1980 Moulinex Brochure.
1983/84 Krups Brochure.

Primary Examiner—Bernard Ansher
Assistant Examiner—Linda Titolo
Attorney, Agent, or Firm—Finnegan, Henderson,
Farabow, Garrett & Dunner

[57] CLAIM

The ornamental design for a mixer, as shown and de-
scribed.

DESCRIPTION

FIG. 1 is a top perspective view of a mixer, showing my
new design the broken lines indicating two beaters are
shown for illustrative purposes only;
FIG. 2 is a left side elevational view thereof;
FIG. 3 is a front elevational view thereof;
FIG. 4 is a rear elevational view thereof;
FIG. 5 is a top plan view thereof;
FIG. 6 is a bottom plan view thereof; and
FIG. 7 is a top perspective view thereof.

[56] References Cited

U.S. PATENT DOCUMENTS

D. 175,263	8/1955	Lambert	D7/379
D. 201,983	8/1965	Chapman et al.	D7/379
D. 204,408	4/1966	Fischer	D7/379 X
D. 224,132	7/1972	Yamamoto	D7/379
D. 234,742	4/1975	Stut	D7/379
2,525,338	10/1950	Brown et al.	366/129 X
2,987,636	6/1961	Jepson	366/129 X
3,215,410	11/1965	McMaster et al.	366/343

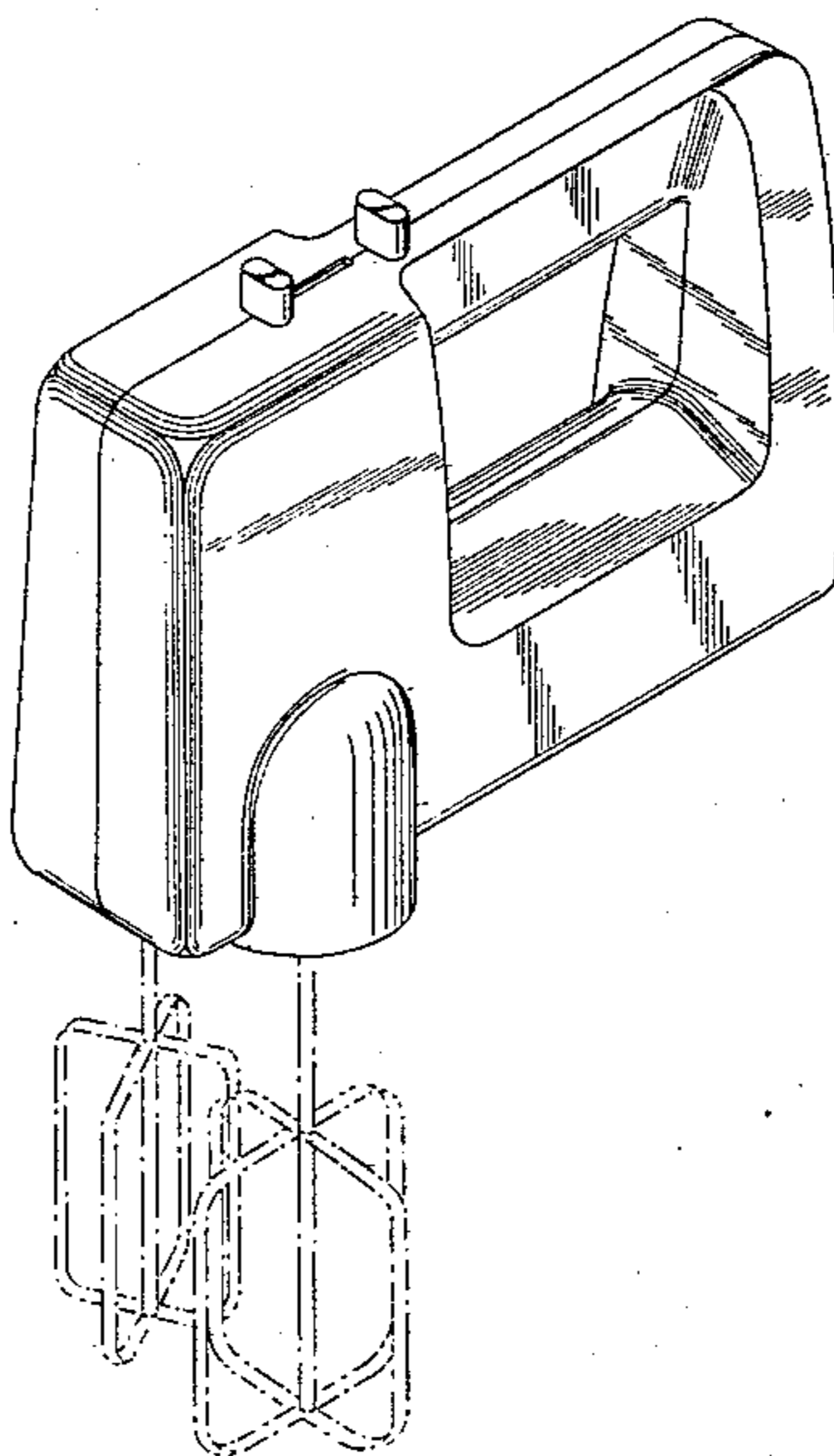


FIG. 1

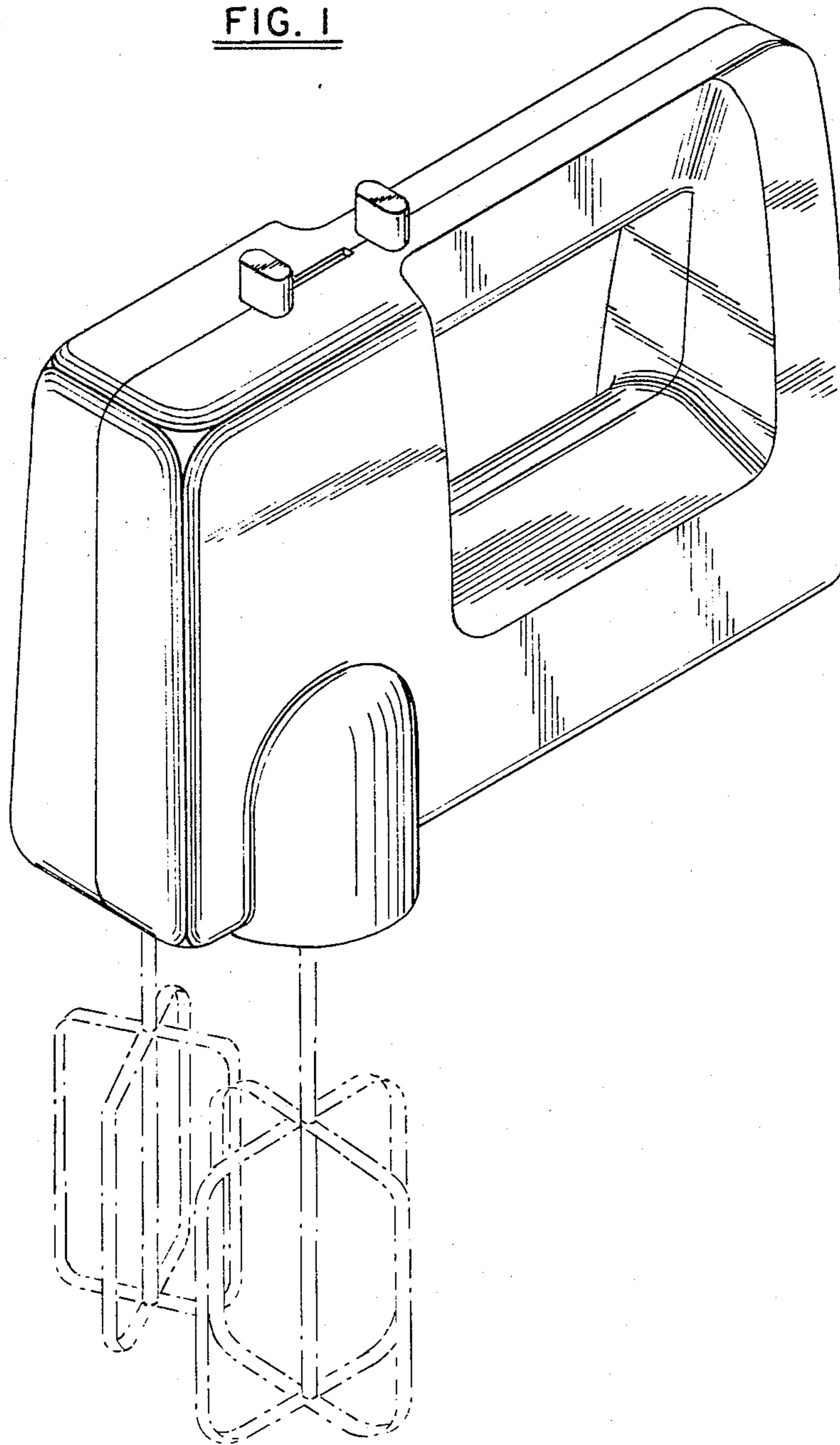


FIG. 2

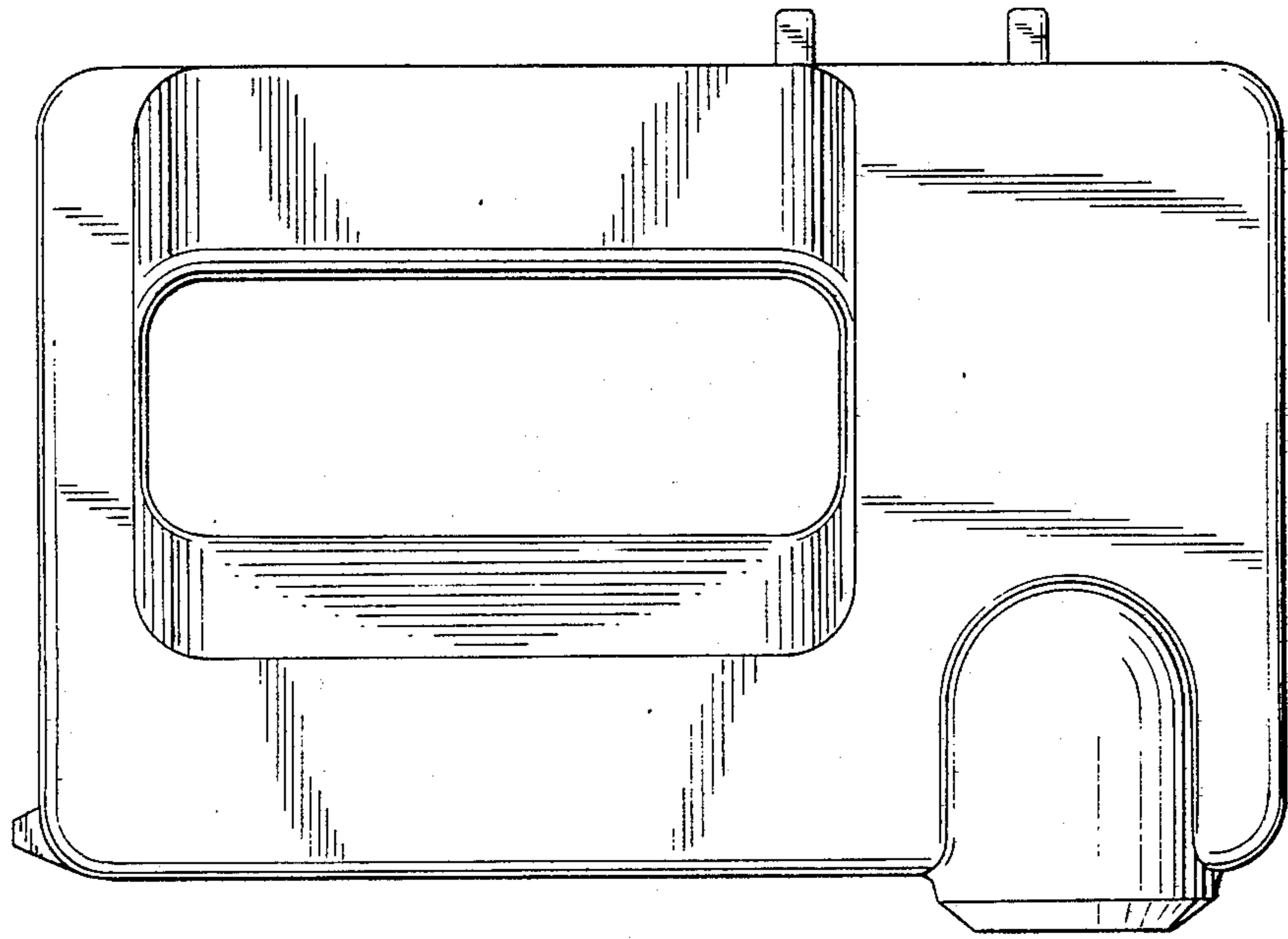


FIG. 3

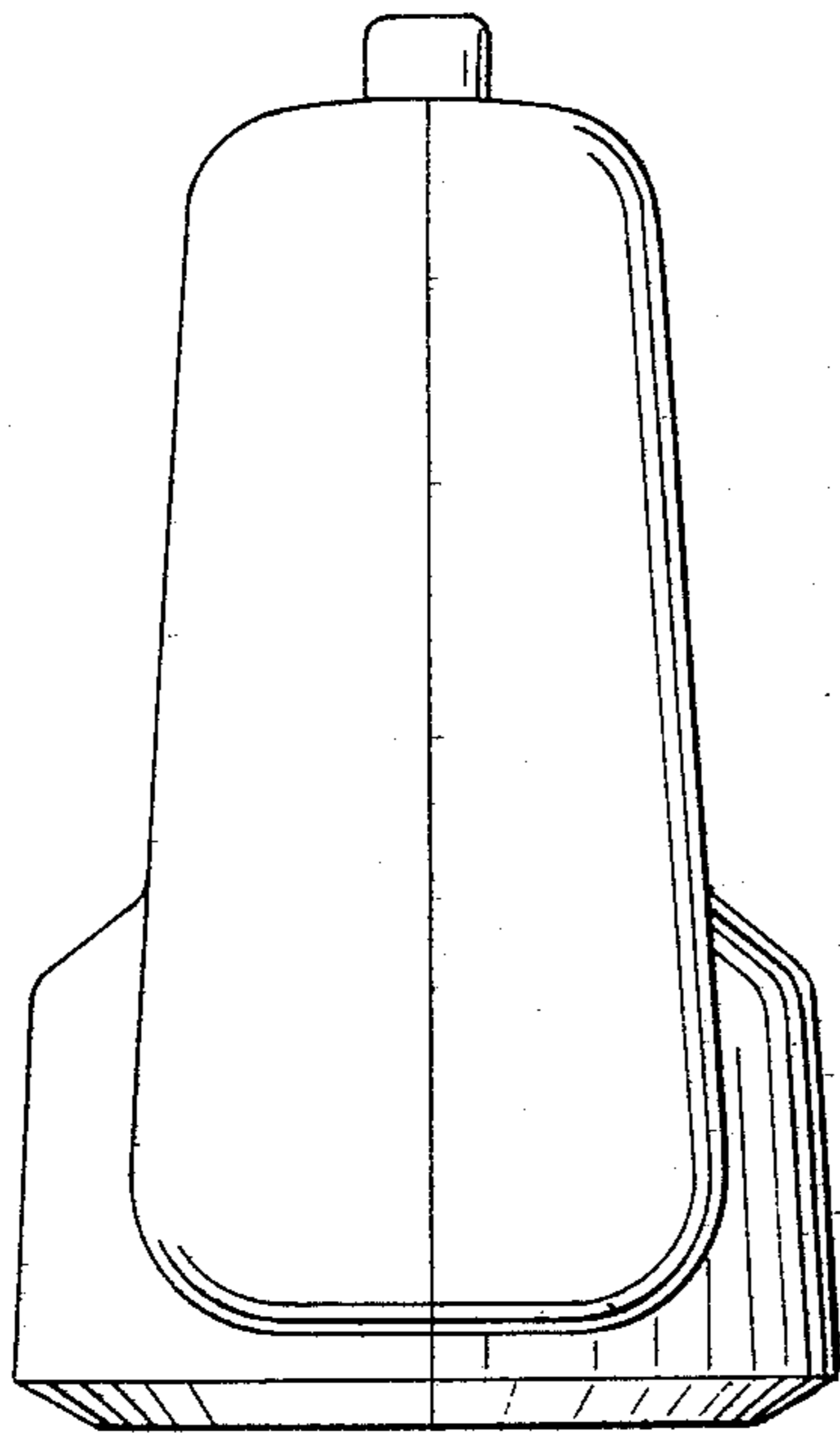


FIG. 4

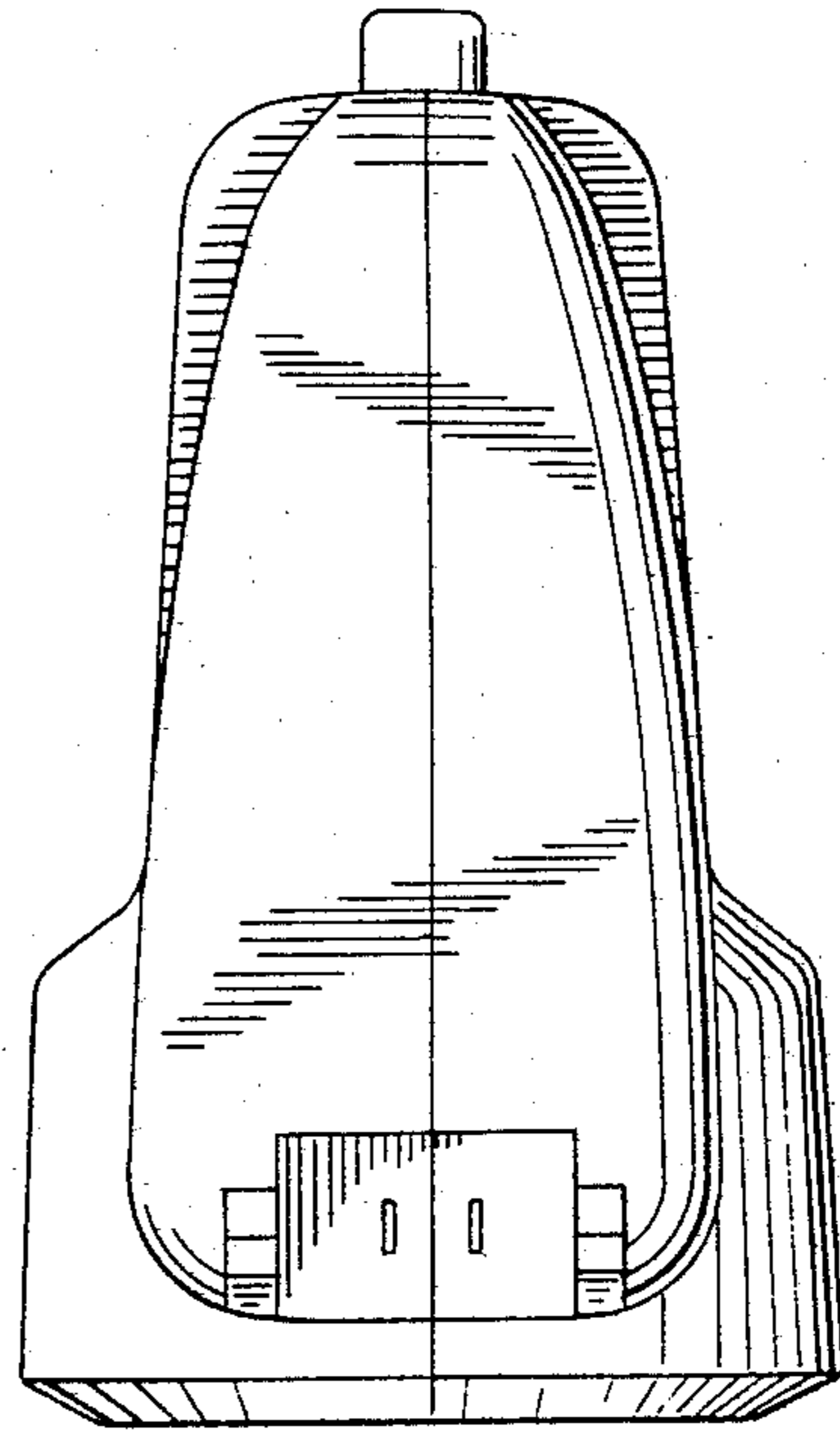


FIG. 5

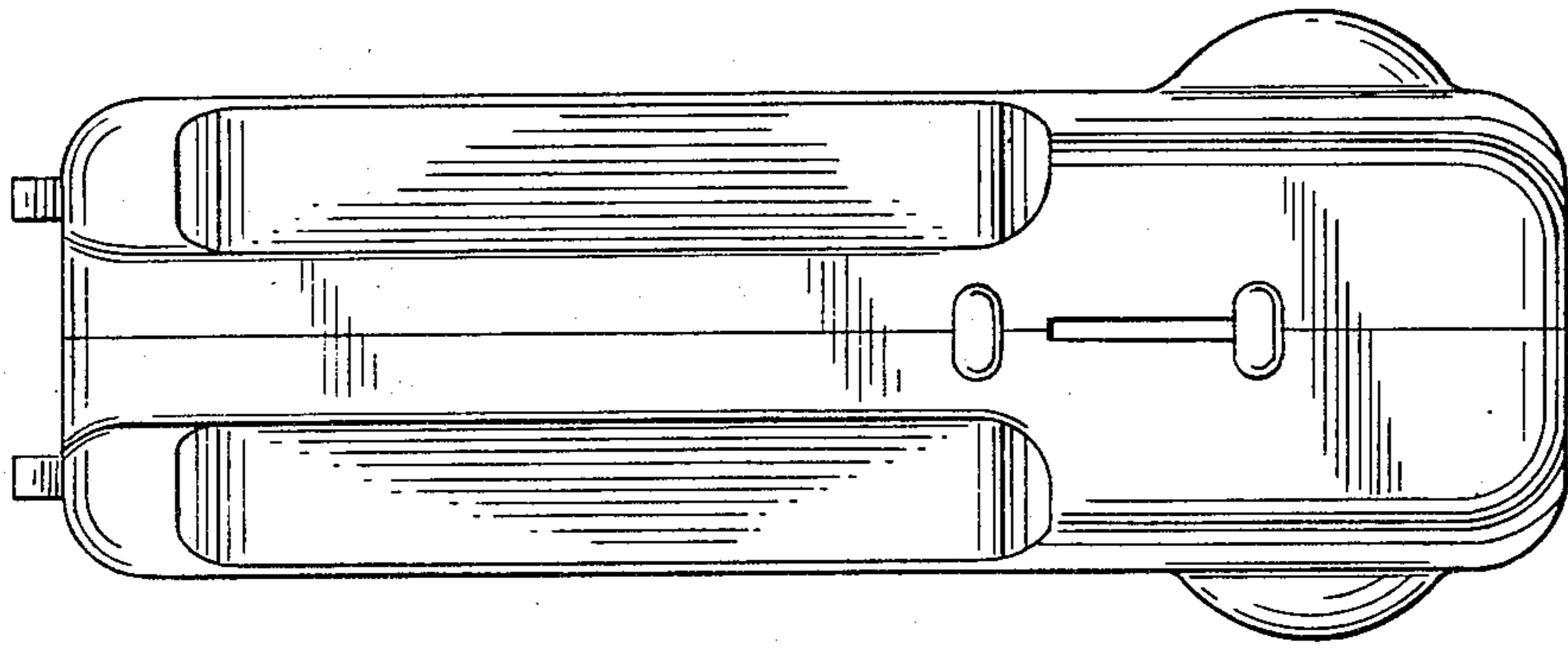


FIG. 6

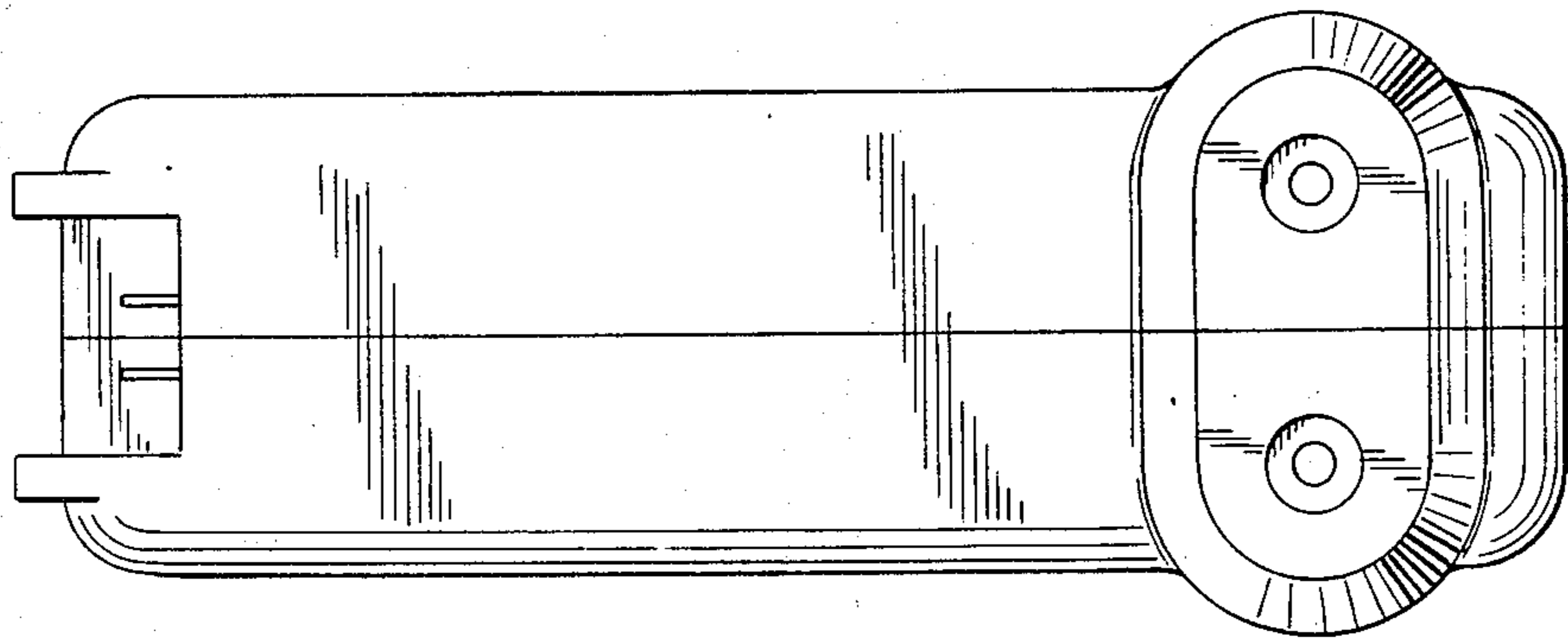


FIG. 7

