

[54] COCKTAIL TRAY

[76] Inventors: Tucker Spolter, 17 Broadway, Fairfax, Calif. 94930; Gary J. Fullmer, 270 Angelita Ave., Pacifica, Calif. 94044

[\*\*] Term: 14 Years

[21] Appl. No.: 697,181

[22] Filed: Feb. 1, 1985

[52] U.S. Cl. .... D7/71

[58] Field of Search ..... D7/71, 70, 27, 2, 4, D7/52; 211/74, 77; 206/562, 563; 220/23.8

[56]

References Cited

U.S. PATENT DOCUMENTS

D. 93,210	9/1934	Friedlander	.....	D7/71
774,479	11/1904	Lange	.....	206/562 X
855,565	6/1907	Greenhouse	.....	206/562
2,281,849	5/1942	McCoppin	.....	D7/71 X

Primary Examiner—Bernard Ansher  
Assistant Examiner—Terry Pfeffer  
Attorney, Agent, or Firm—Townsend and Townsend

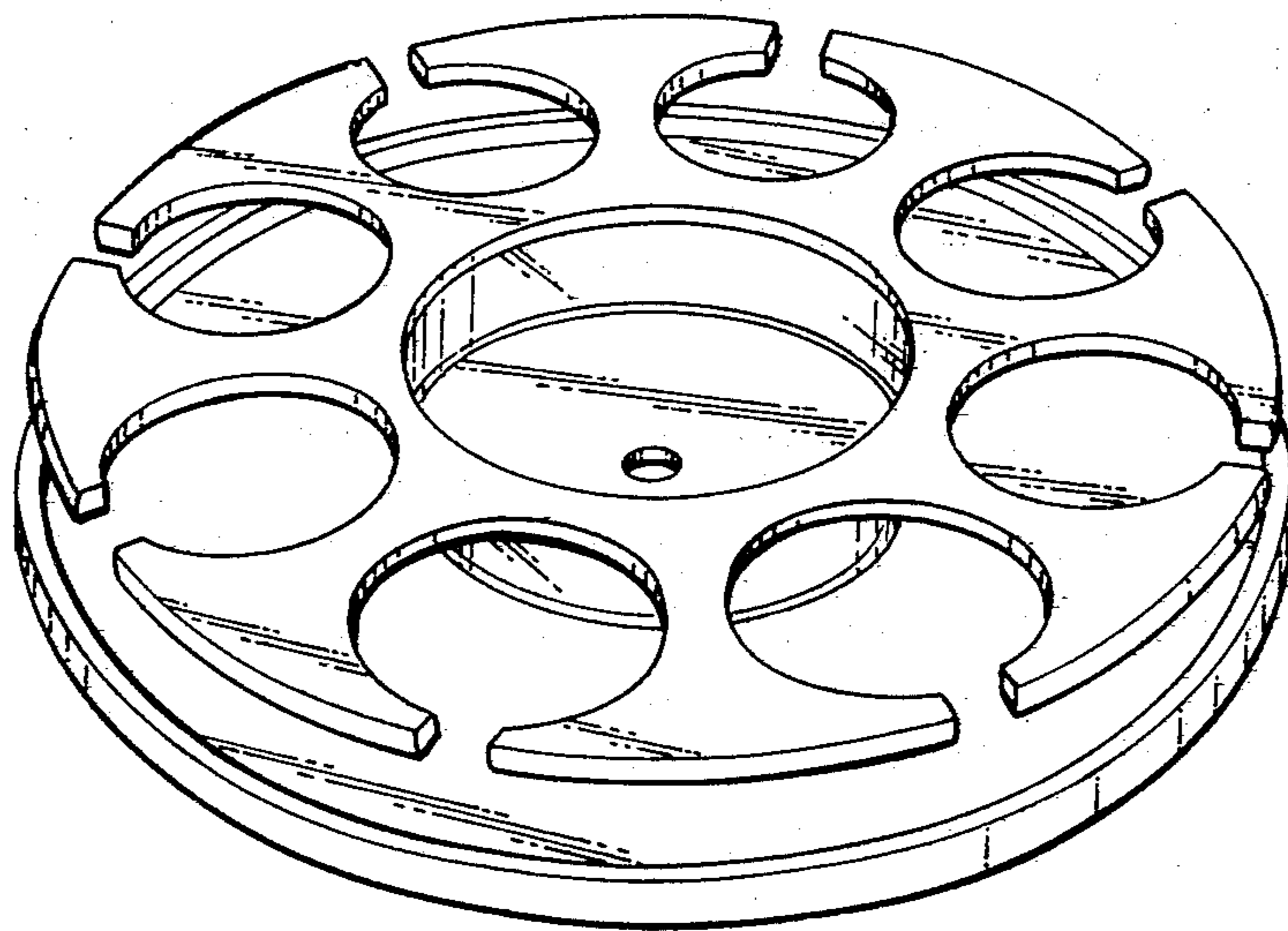
[57]

CLAIM

The ornamental design for a cocktail tray, as shown and described.

DESCRIPTION

FIG. 1 is a perspective view of the cocktail tray showing my new design;  
FIG. 2 is a top plan view thereof;  
FIG. 3 is a bottom plan view thereof; and  
FIG. 4 is a front elevational view thereof.



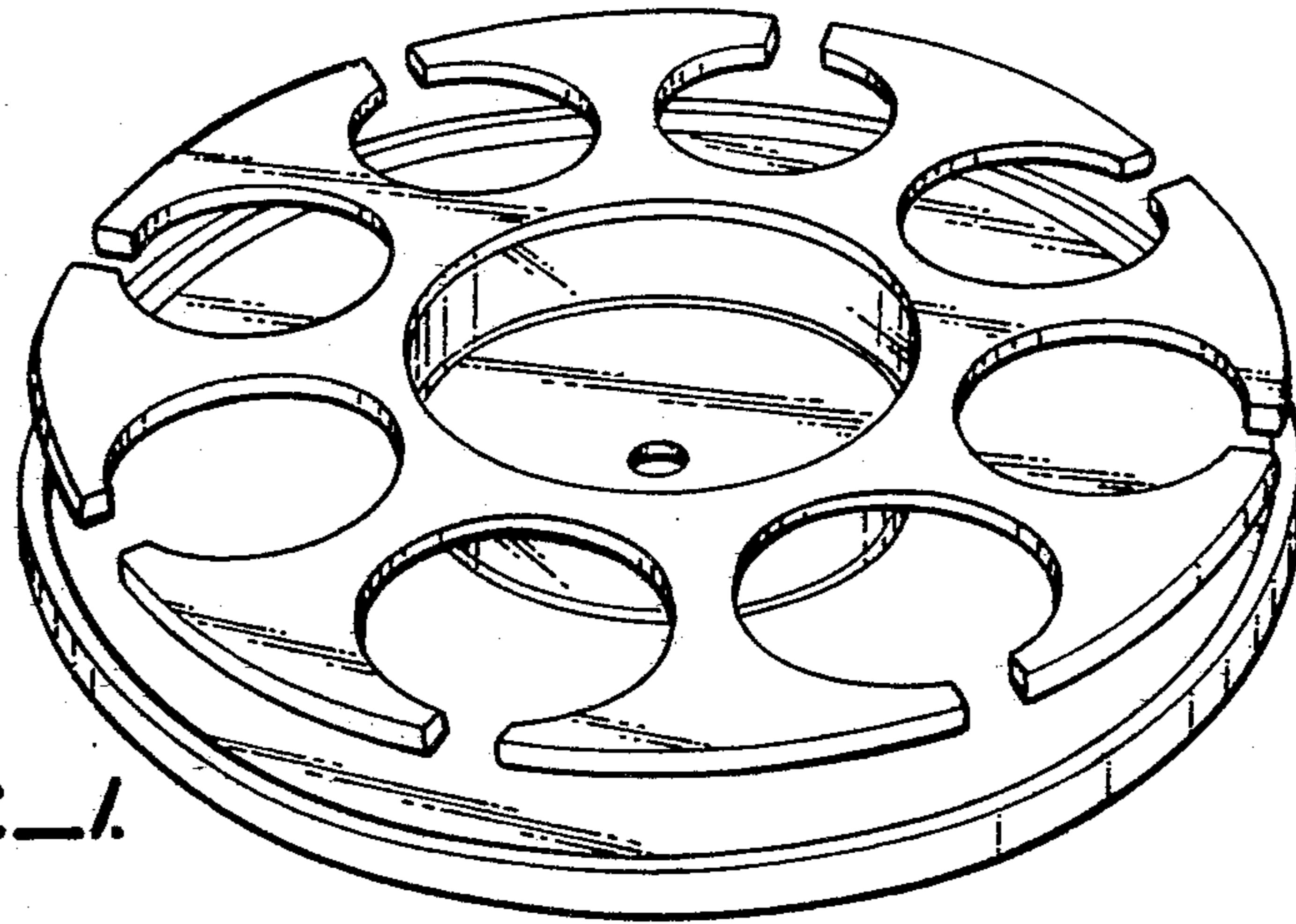


FIG. 1.

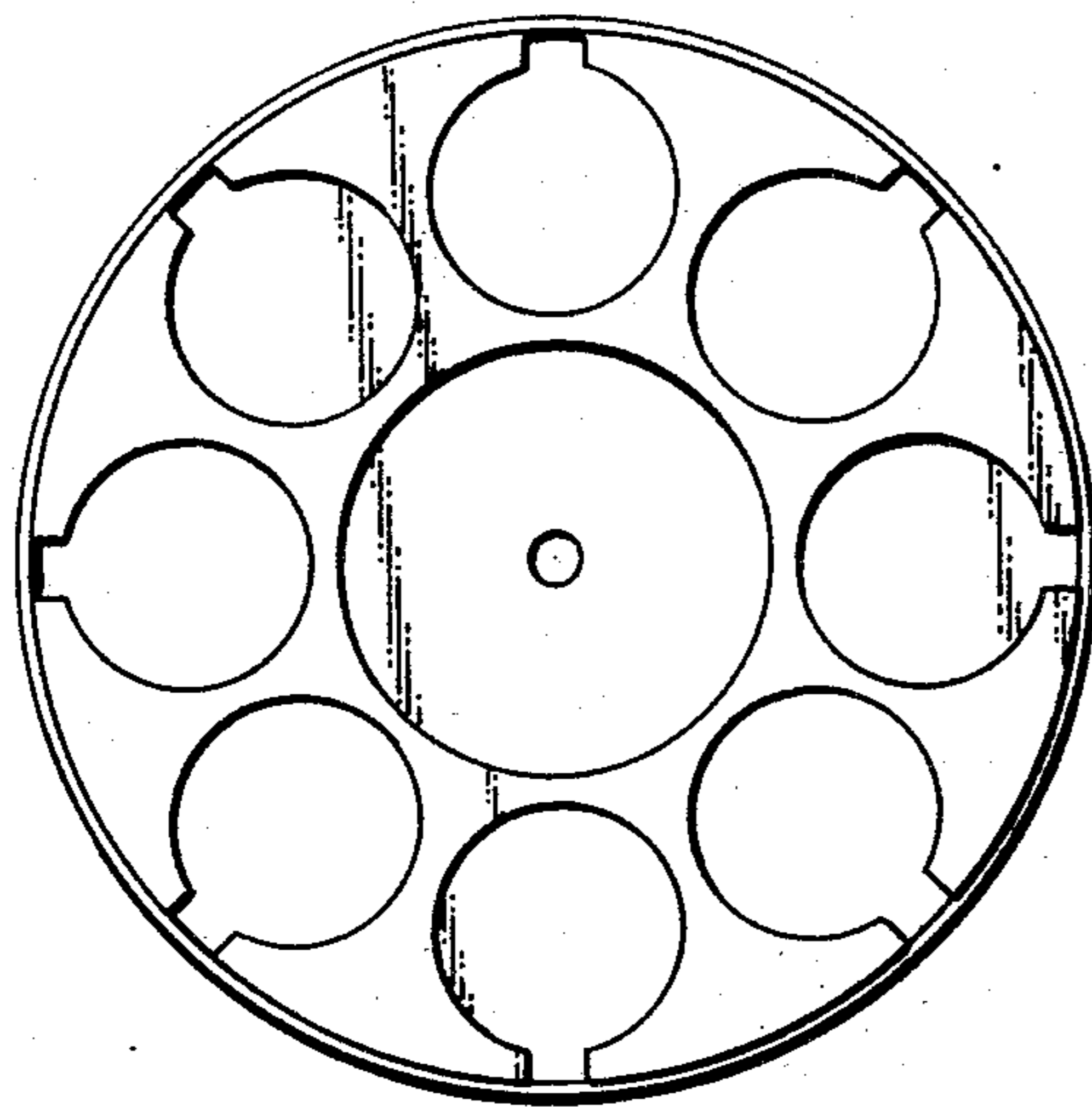


FIG. 2.

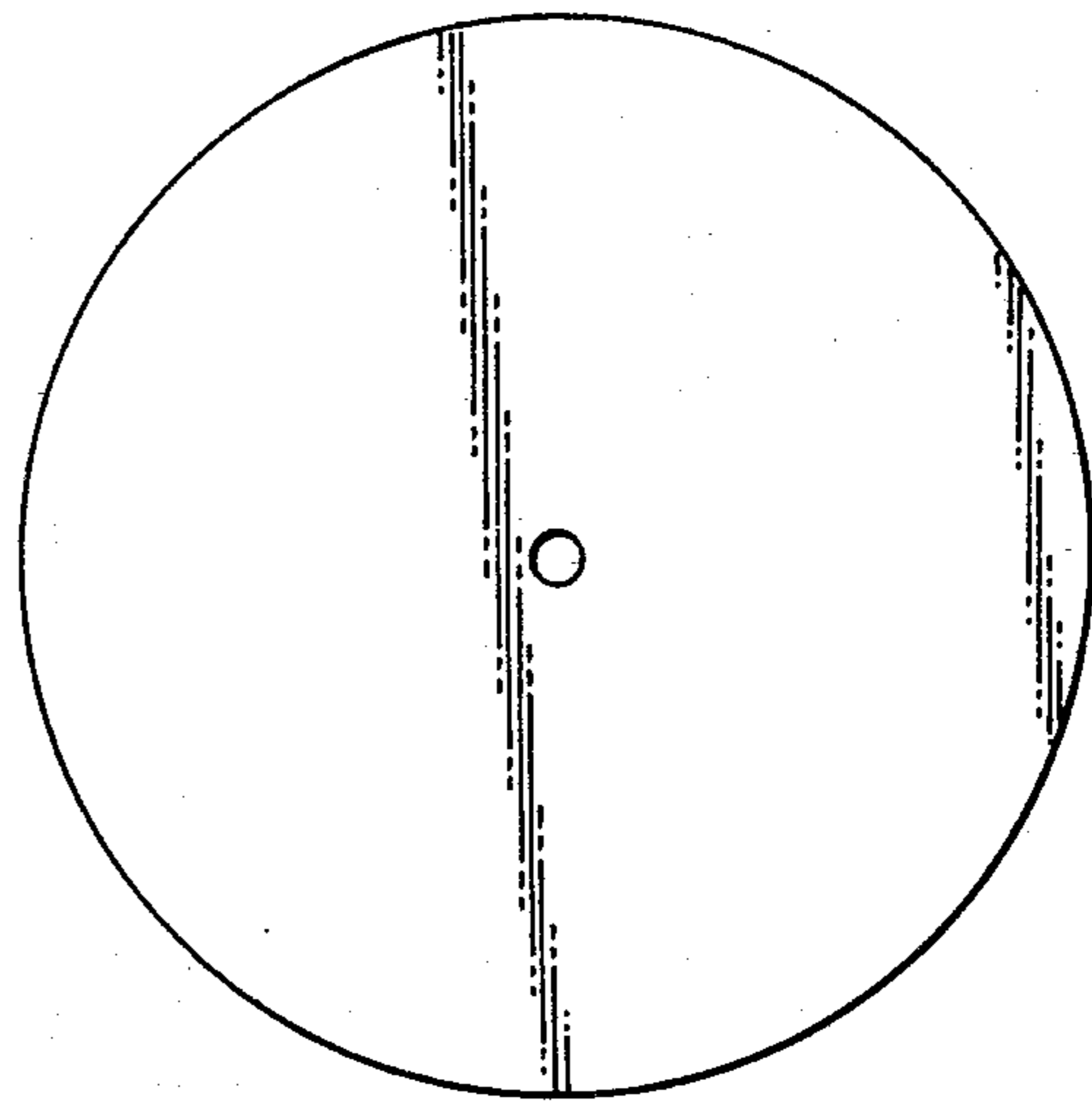


FIG. 3.

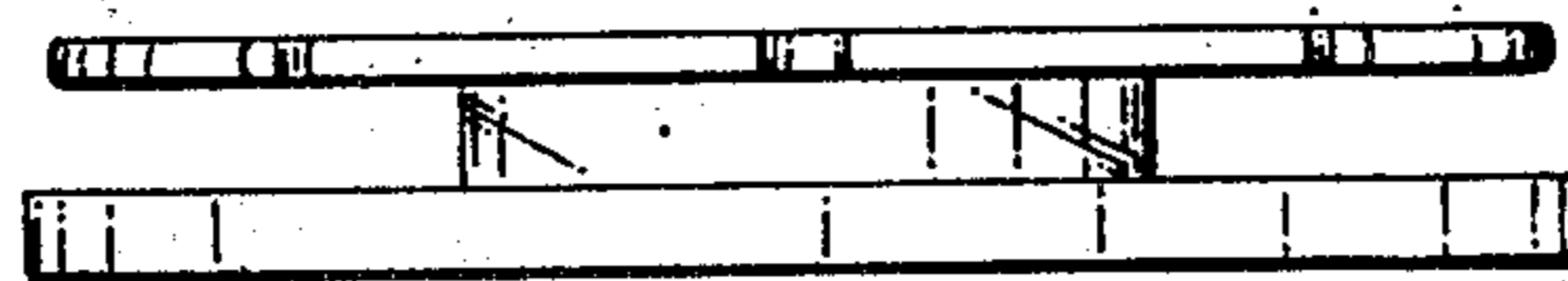


FIG. 4.