

[54] TOILET TISSUE DISPENSER

[76] Inventor: Edward T. Miels, 545-D Oakdale La., El Cajon, Calif. 92021

[**] Term: 14 Years

[21] Appl. No.: 773,947

[22] Filed: Sep. 9, 1985

[52] U.S. Cl. D6/523; D6/559

[58] Field of Search D6/515, 518-523, D6/559; 312/37, 38, 40, 328; 242/55.2, 55.53, 55.3

[56] References Cited

U.S. PATENT DOCUMENTS

D. 209,271	11/1967	Yavitch	D6/520
D. 248,001	5/1978	Santaella	D6/520
3,049,310	8/1962	Wolfe	D6/520
3,387,902	6/1968	Perrin et al.	312/39

3,467,330	9/1969	Yavitch	242/55.53
4,422,585	12/1983	Schultz et al.	312/37

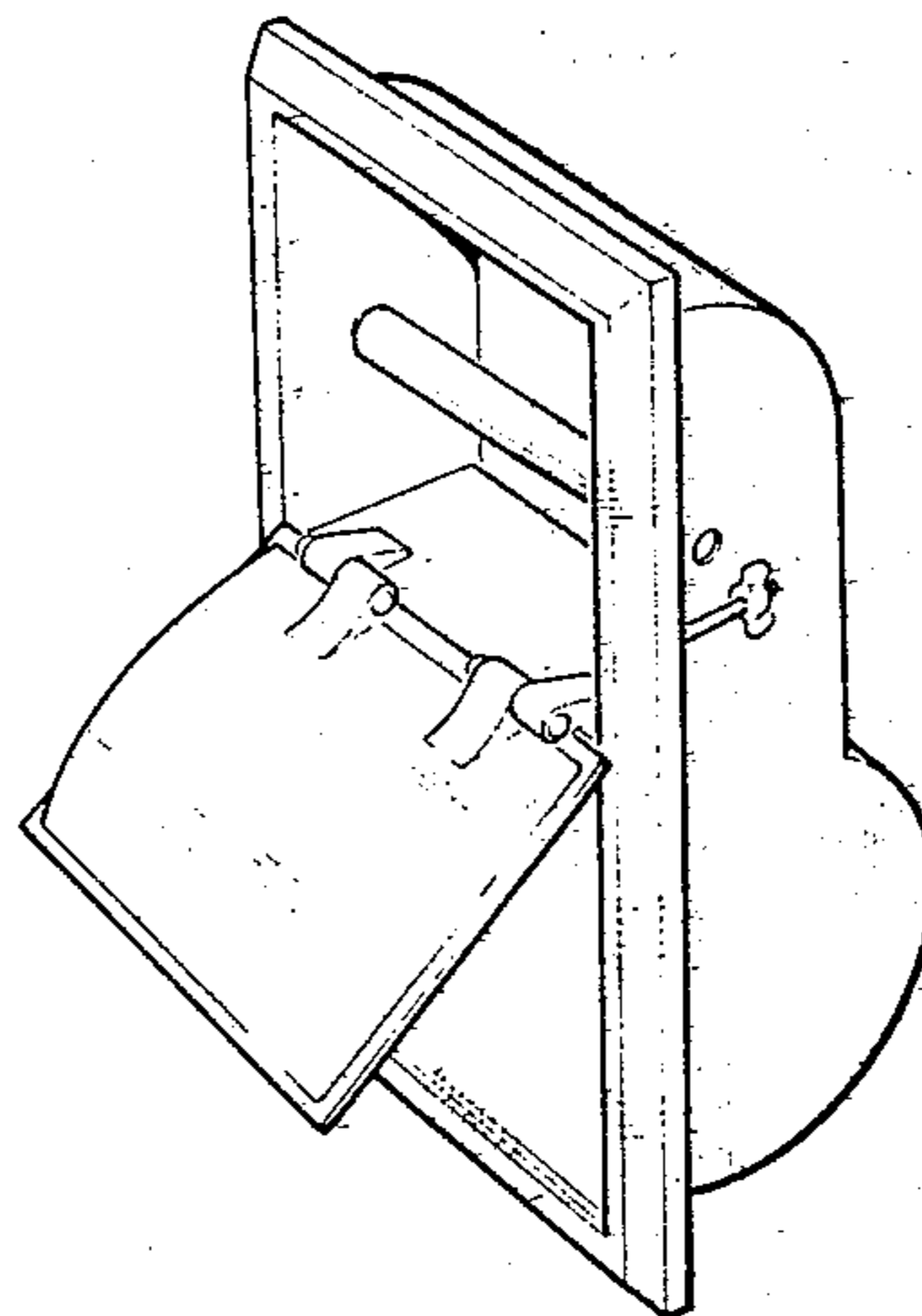
Primary Examiner—B. J. Bullock
Attorney, Agent, or Firm—Charles C. Logan, II

[57] CLAIM

The ornamental design for a toilet tissue dispenser, substantially as shown.

DESCRIPTION

FIG. 1 is a front elevational view of a toilet tissue dispenser showing my new design; FIG. 2 is a right side elevational view thereof; FIG. 3 is a bottom plan view thereof; FIG. 4 is a left side elevational view thereof; FIG. 5 is a rear elevational view thereof; FIG. 6 is a top plan view thereof; and FIG. 7 is a front perspective view thereof with the front cover partially open.



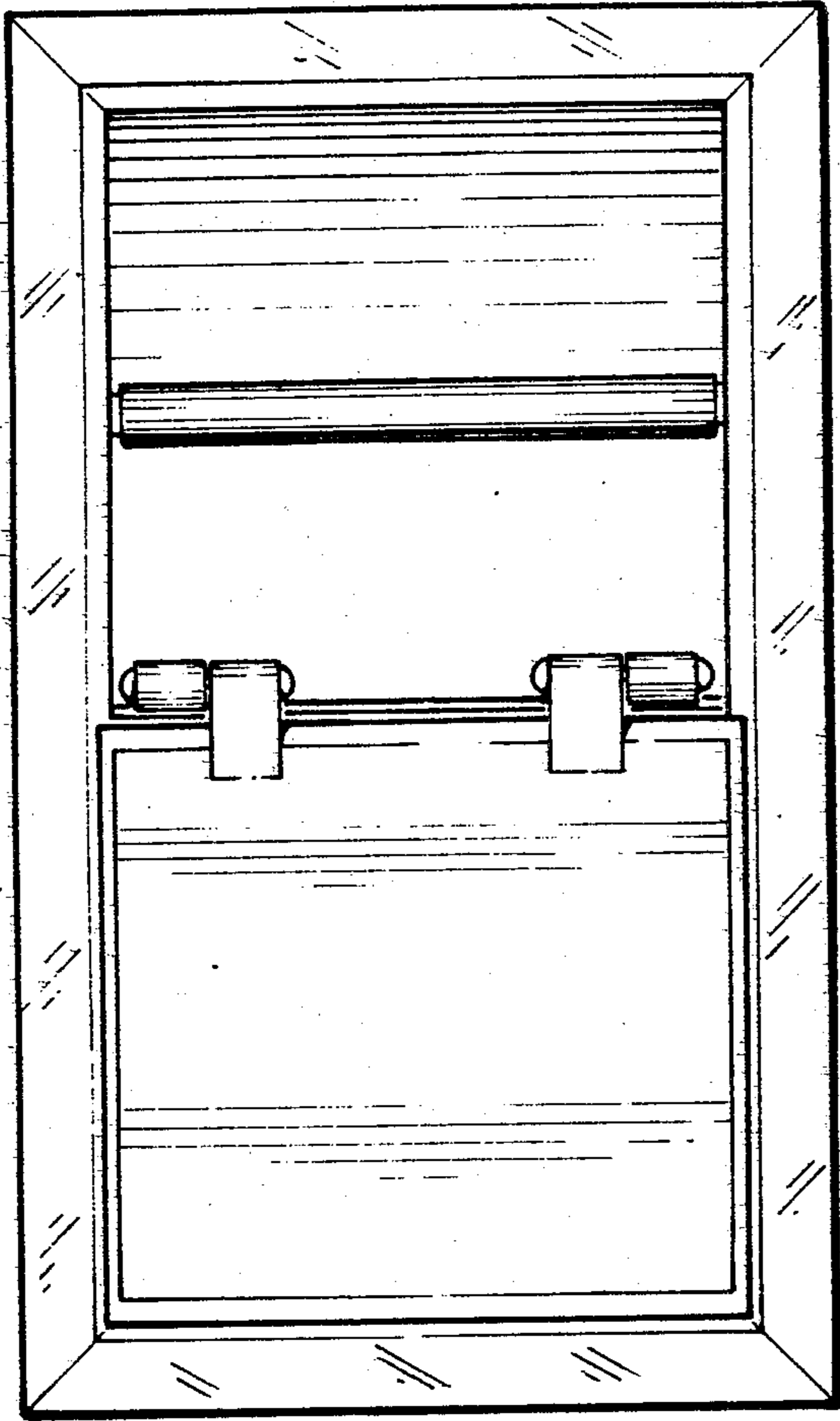


FIG. 1

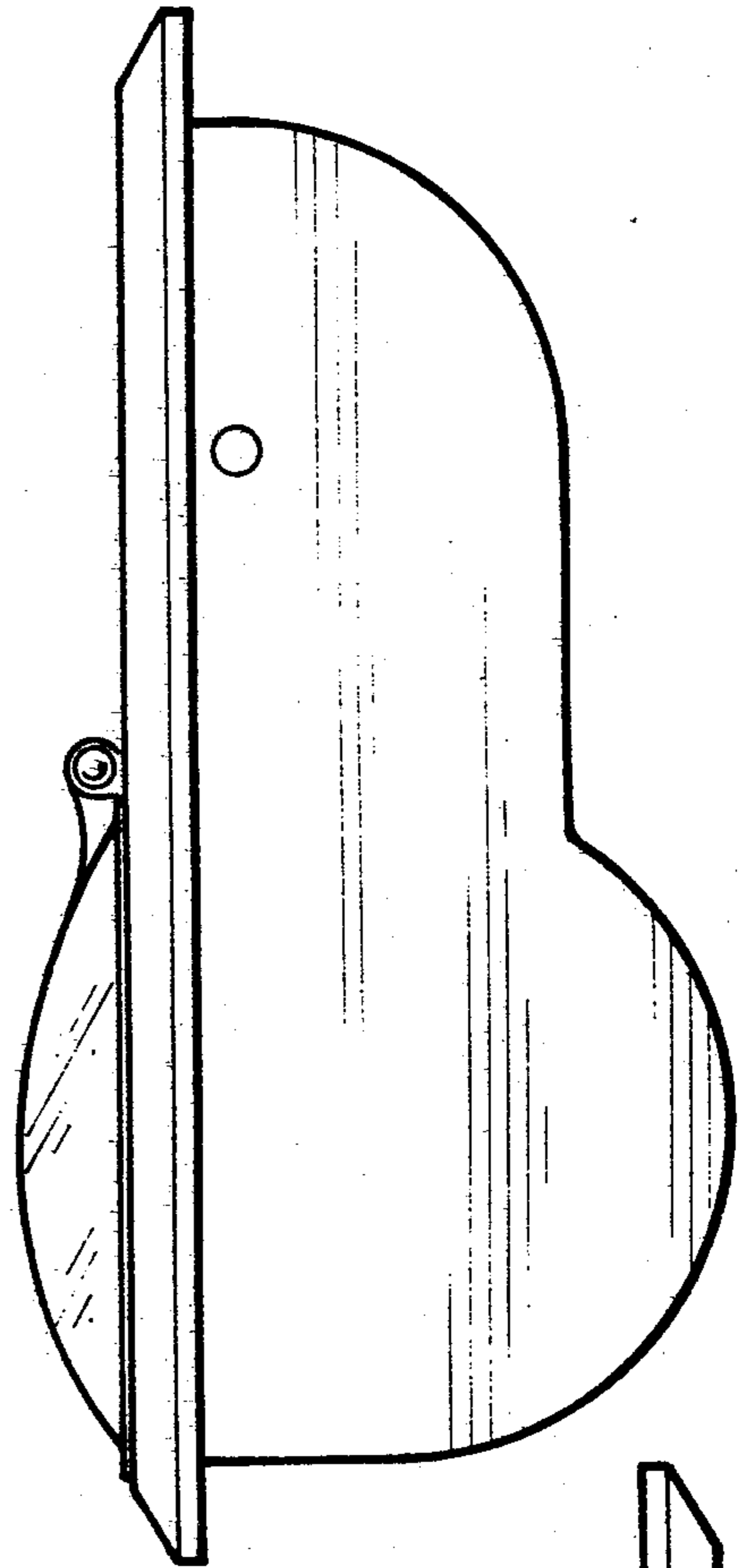


FIG. 2

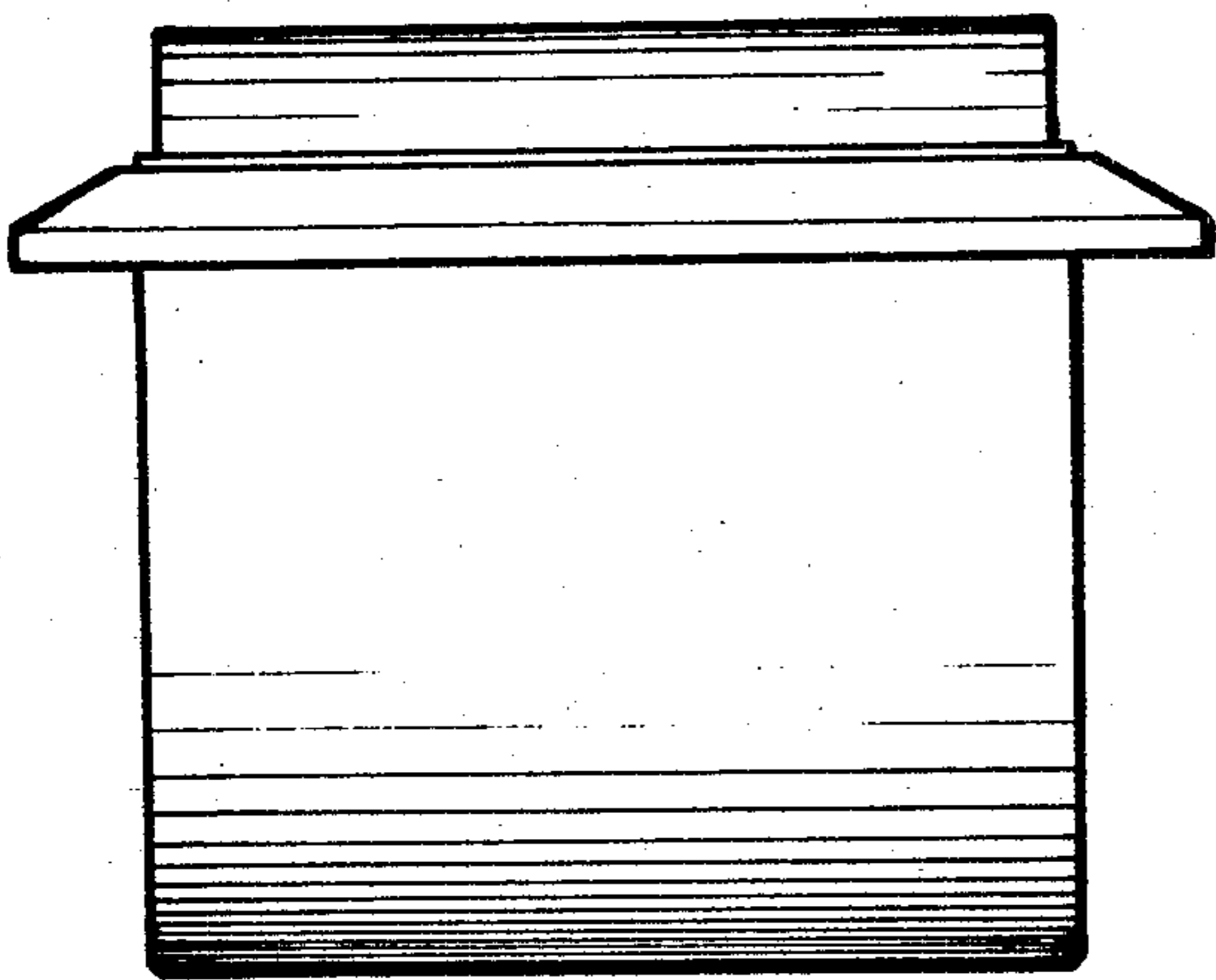


FIG. 3

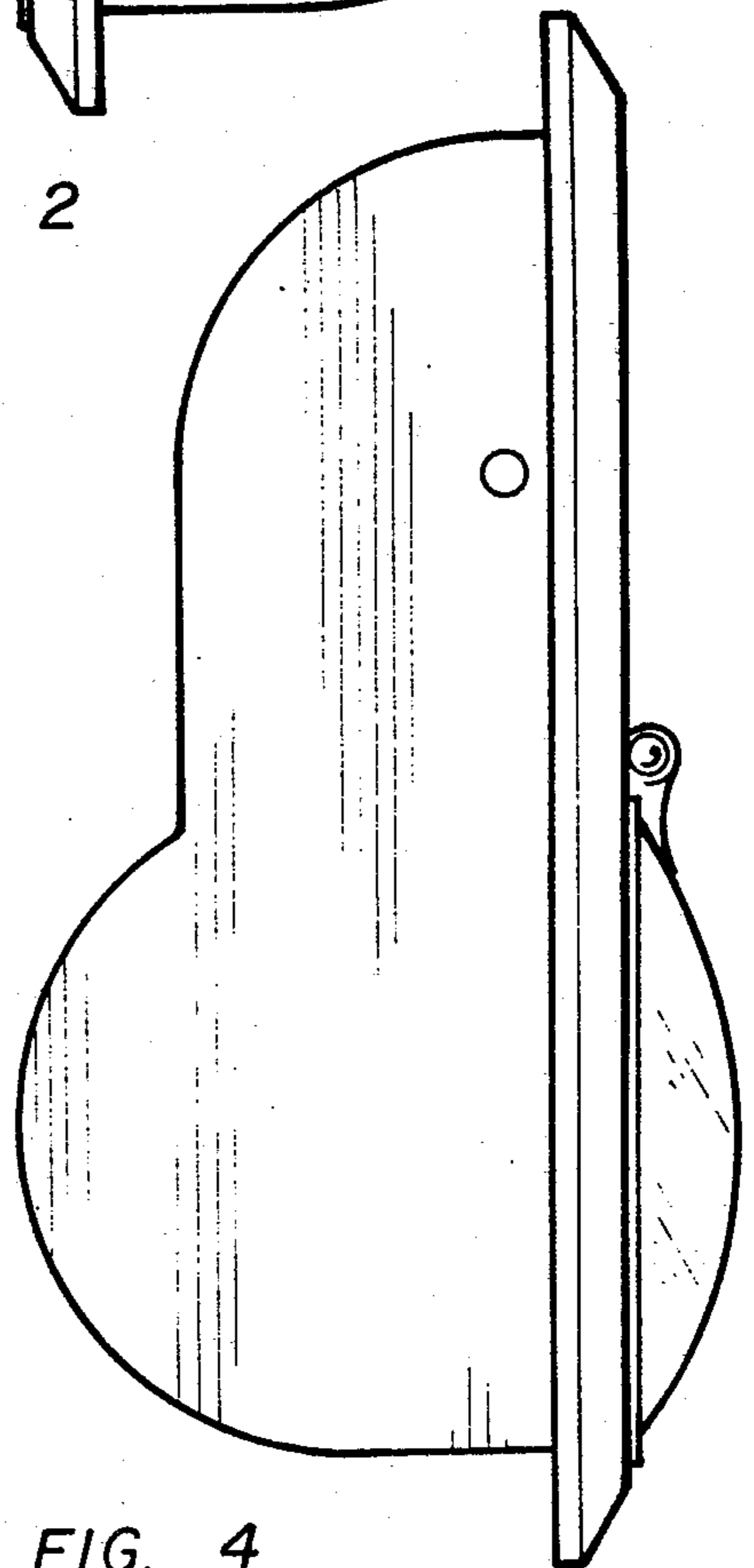


FIG. 4

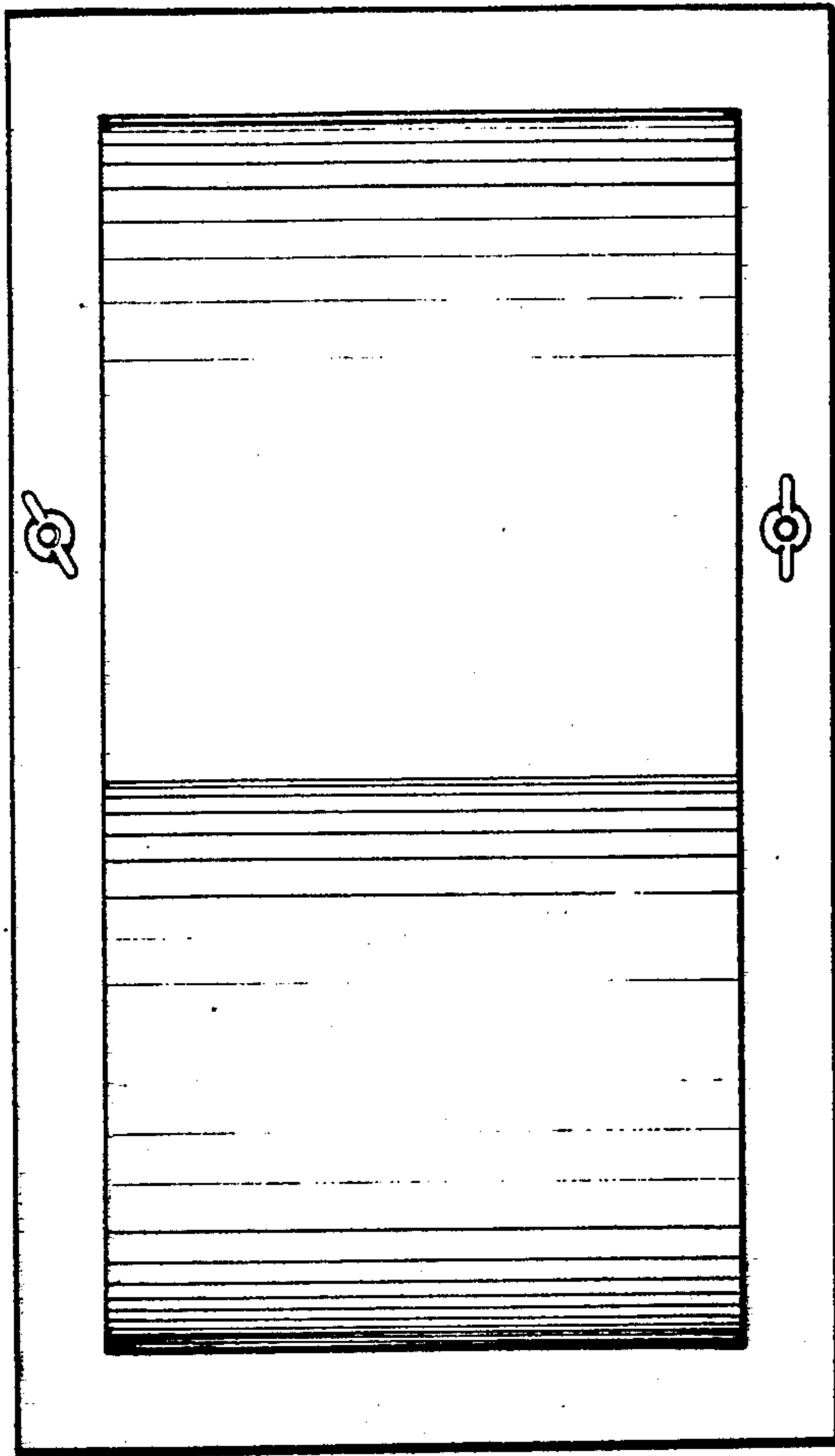


FIG. 5

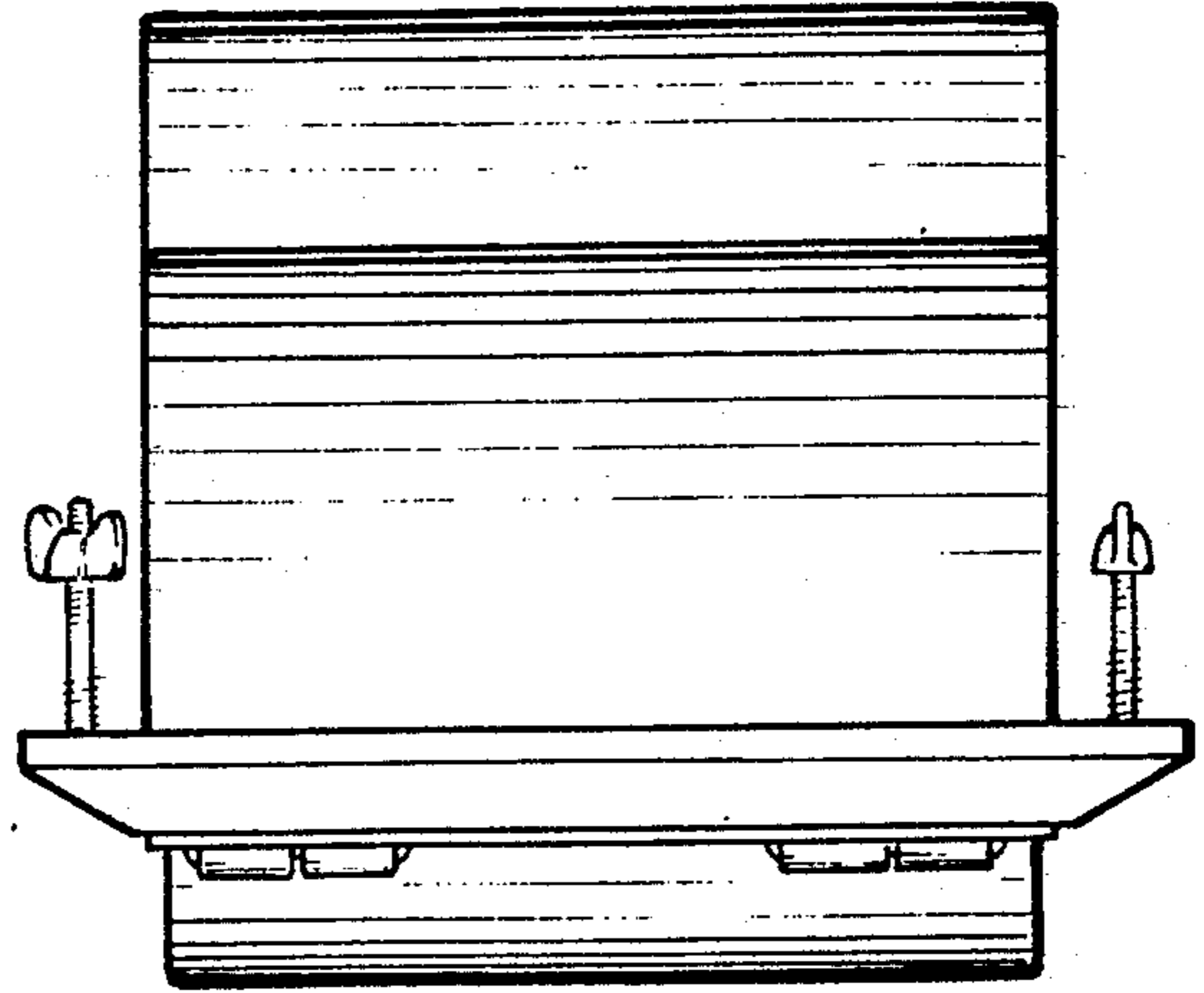


FIG. 6

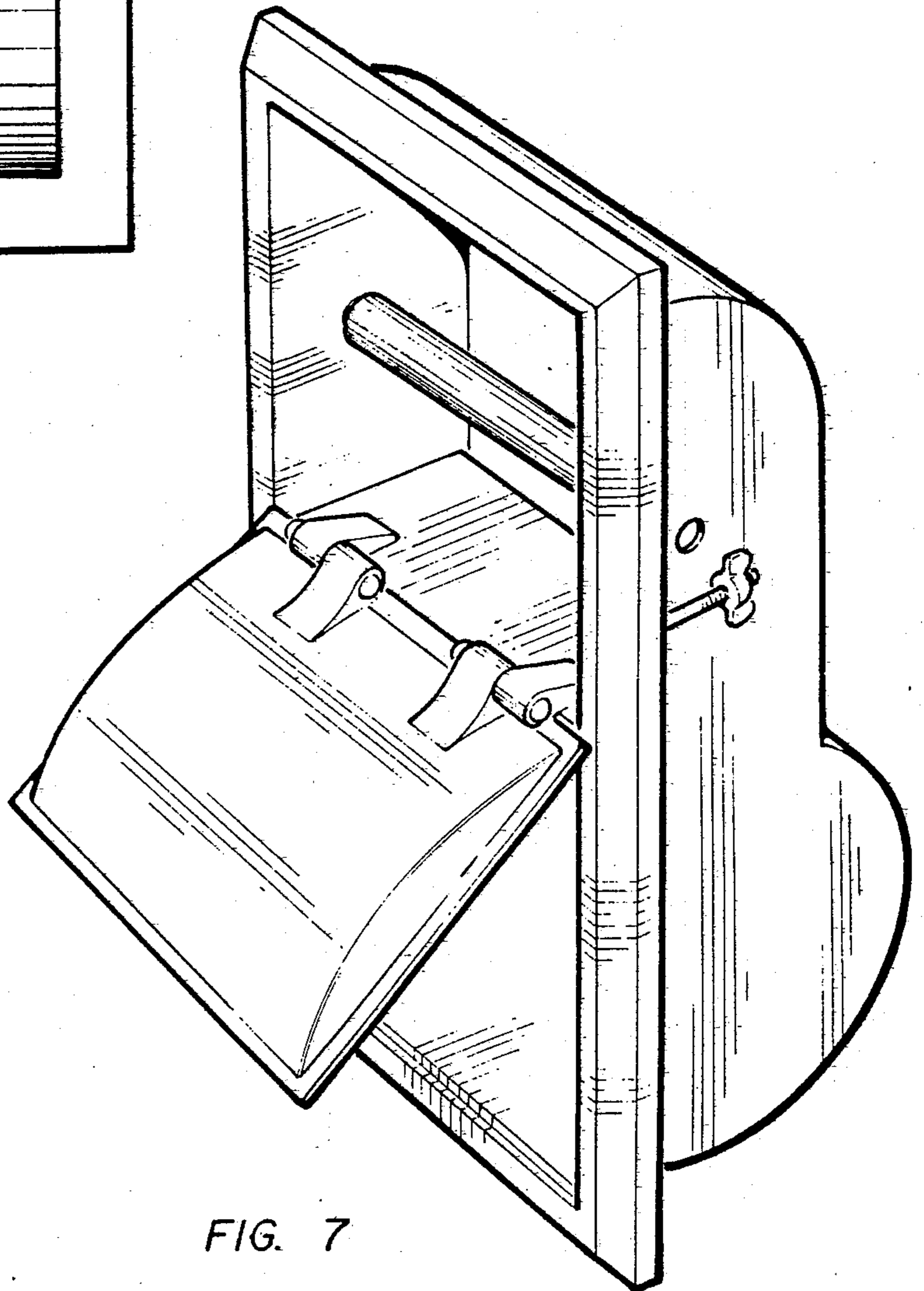


FIG. 7