

[54] CHAIR ATTACHABLE TABLE AND SUPPORT ARM THEREFORE

[76] Inventors: Lars Restin, Bankgatan 8; Sören Restin, S. Vägen 27, both of 46500 Nossebro, Sweden

[**] Term: 14 Years

[21] Appl. No.: 616,819

[22] Filed: Jun. 4, 1984

[30] Foreign Application Priority Data

Dec. 8, 1983 [SE] Sweden 833260

[52] U.S. Cl. D6/418; D6/511

[58] Field of Search D6/335, 338, 511, 396, D6/406, 418; 297/161, 162, 163, 170, 172, 173, 174

[56] References Cited

U.S. PATENT DOCUMENTS

D. 127,562 6/1941 Cloutier D6/418
D. 191,800 11/1961 Westbrook D6/418

D. 215,857 11/1969 Olson D6/418
D. 227,069 6/1973 Webb D6/418
D. 261,577 11/1981 Heritage D6/338
2,034,836 3/1936 Rubino 297/161
2,617,473 11/1952 Krimstock et al. 297/161
2,710,051 6/1955 Greenberg 297/170 X
4,300,798 11/1981 Musgrove et al. 297/162 X
4,575,146 3/1986 Forestal et al. 297/162 X

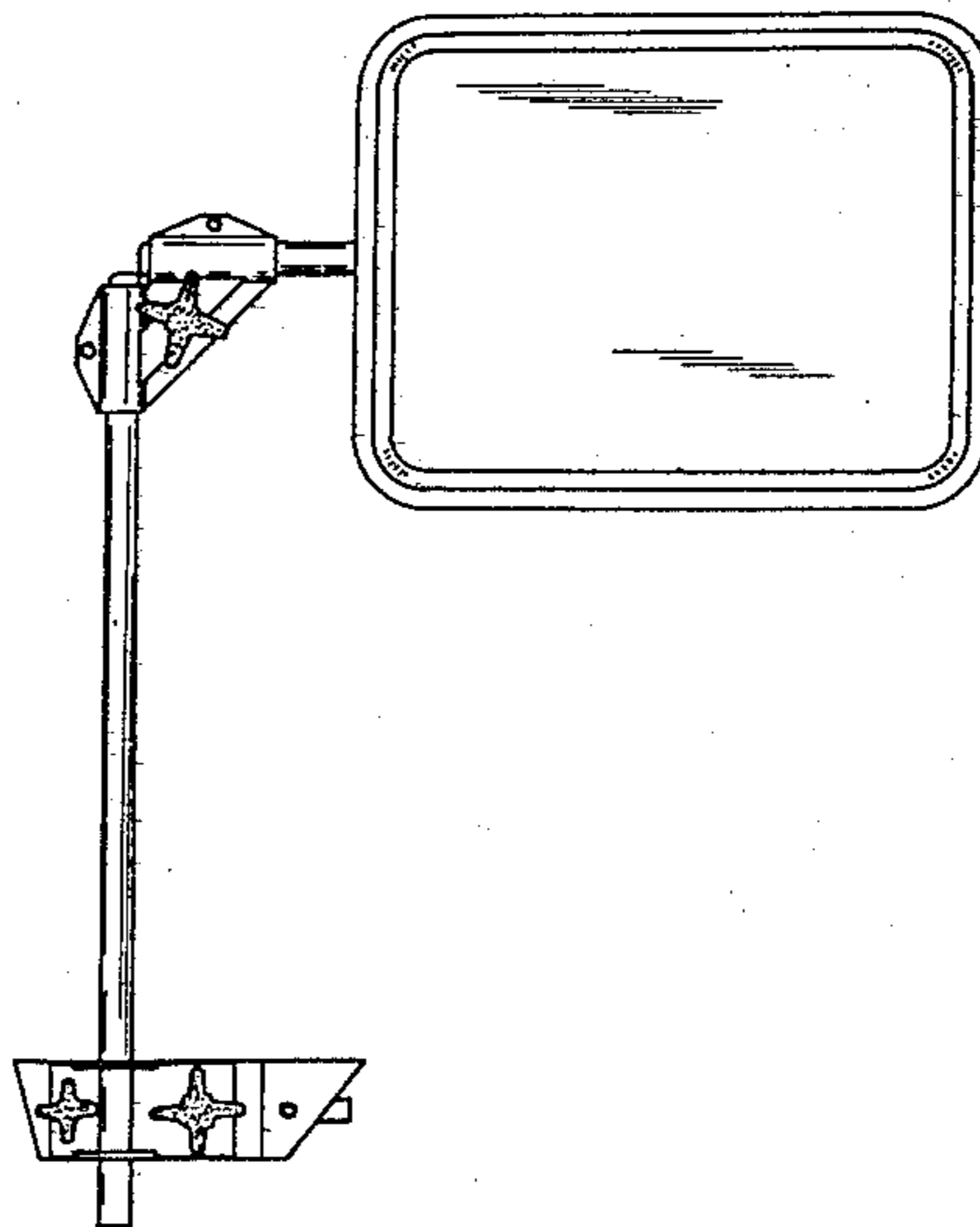
Primary Examiner—Bruce W. Dunkins
Attorney, Agent, or Firm—Wegner & Bretschneider

[57] CLAIM

The ornamental design for a chair attachable table and support arm therefore, as shown and described.

DESCRIPTION

FIG. 1 is a front view of the chair attachable table and support arm therefor embodying the design;
FIG. 2 is a rear view thereof;
FIG. 3 is a right side view thereof;
FIG. 4 is a left side view thereof; and
FIG. 5 is a rear view thereof showing the extension pieces in the working position.



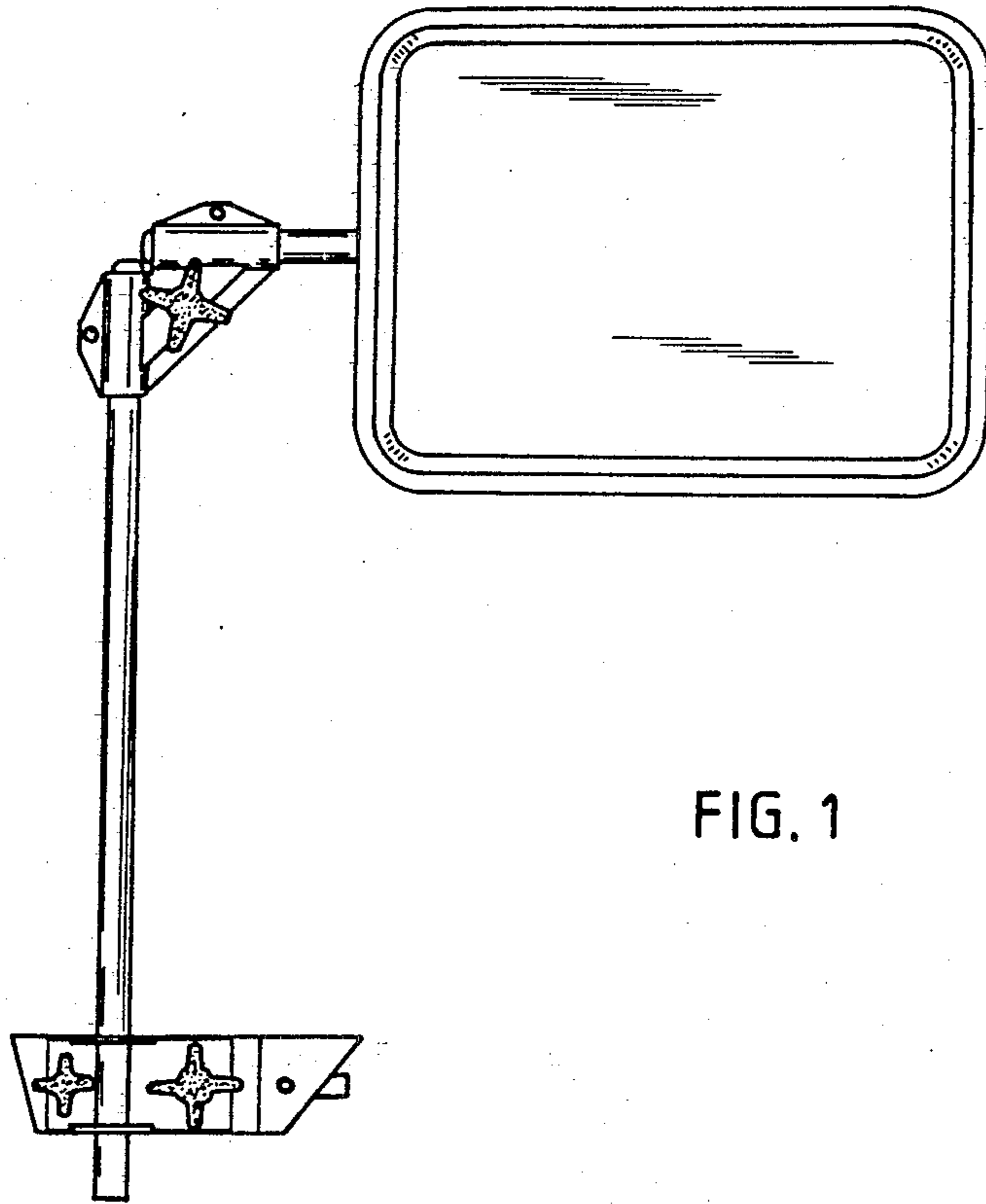


FIG. 1

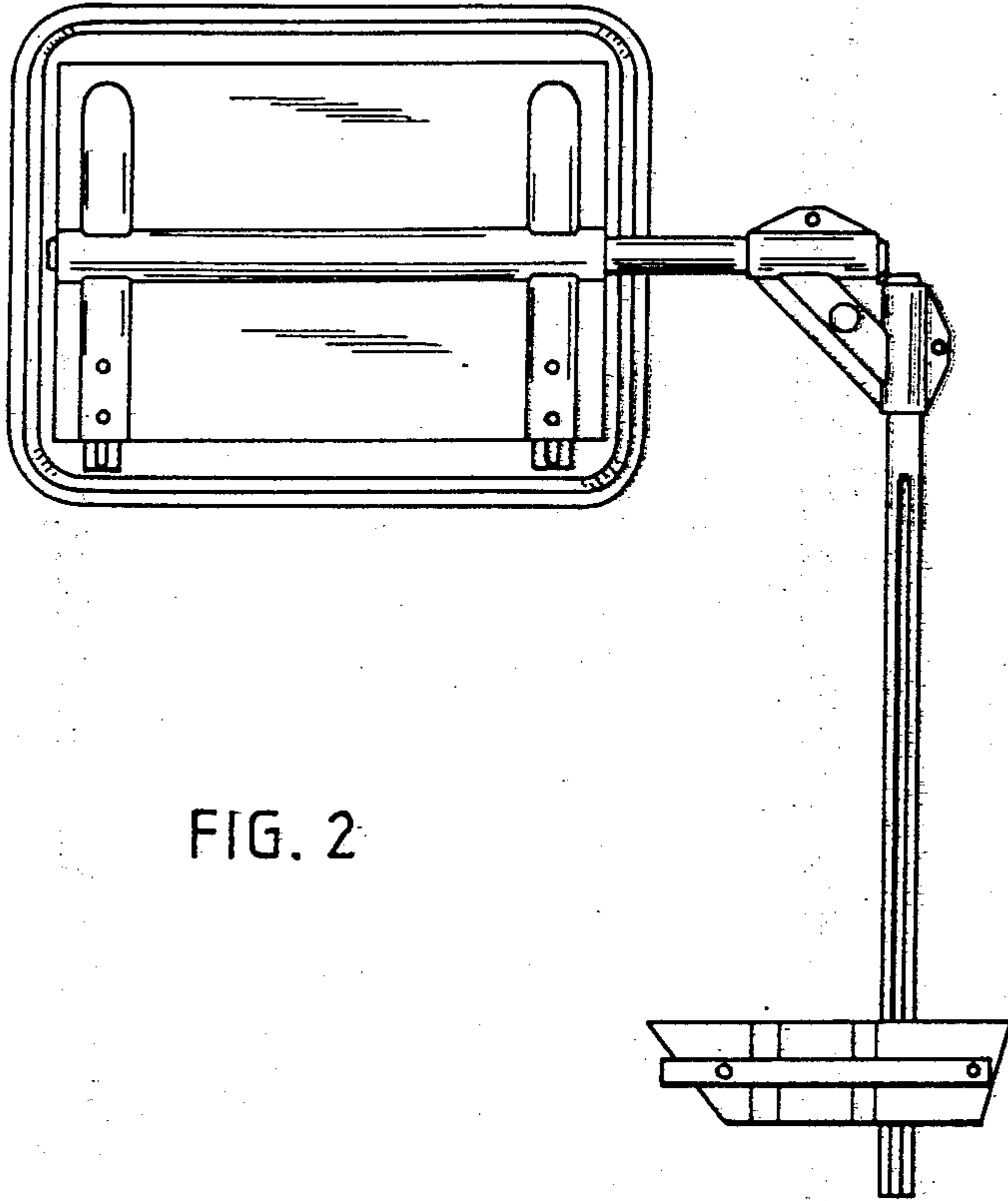


FIG. 2

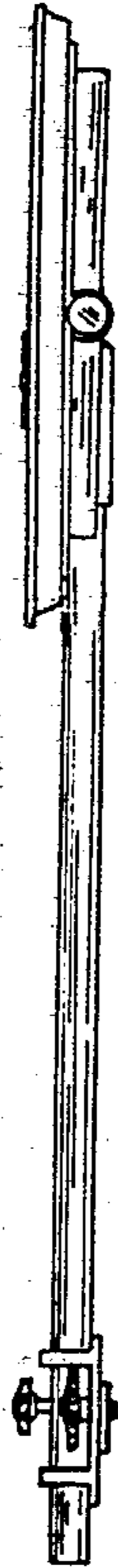


FIG. 3



FIG. 4

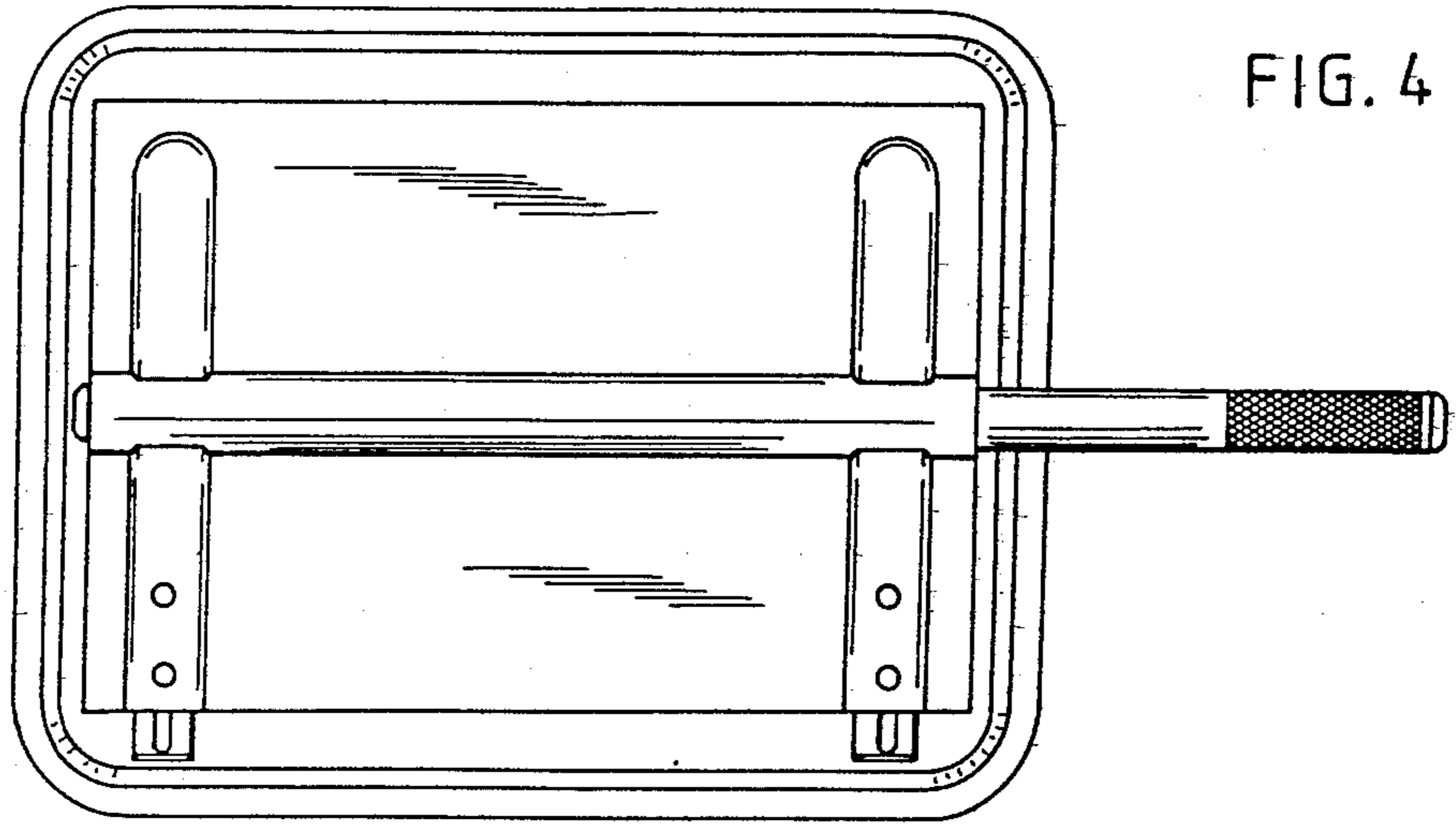


FIG. 4

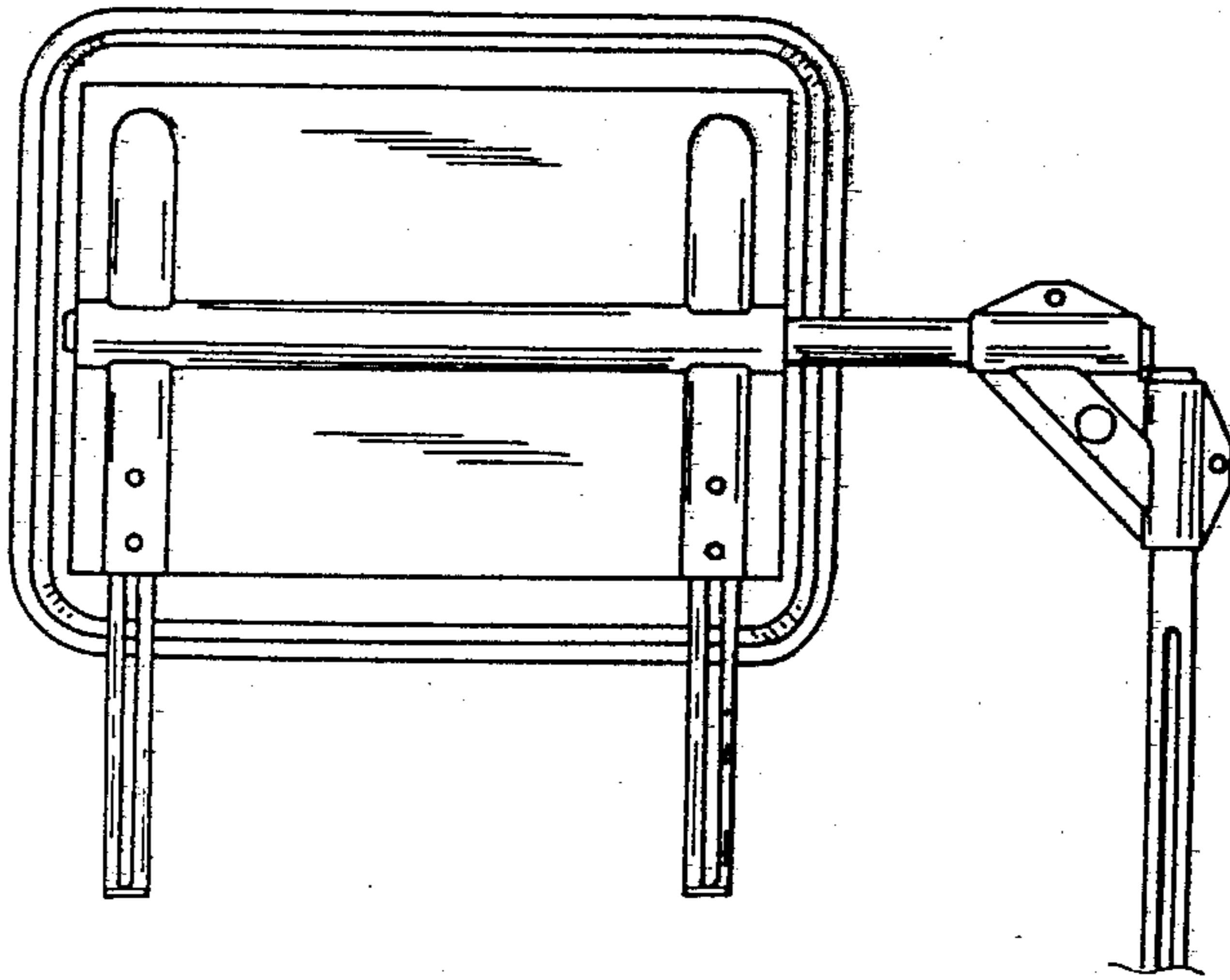


FIG. 5