

[54] CHAIR

[56] References Cited

[75] Inventor: Mauro Monesi, S.Lazzaro di Savena, Italy

U.S. PATENT DOCUMENTS

D. 197,403 1/1964 Pamberg D6/380
D. 272,587 2/1984 Dodds D6/380

[73] Assignee: Castelli S.p.A., Bologna, Italy

Primary Examiner—Bruce W. Dunkins
Attorney, Agent, or Firm—Sughrue, Mion, Zinn,
Macpeak, and Seas

[**] Term: 14 Years

[57] CLAIM

[21] Appl. No.: 678,605

The ornamental design for a chair, substantially as shown.

[22] Filed: Dec. 5, 1984

DESCRIPTION

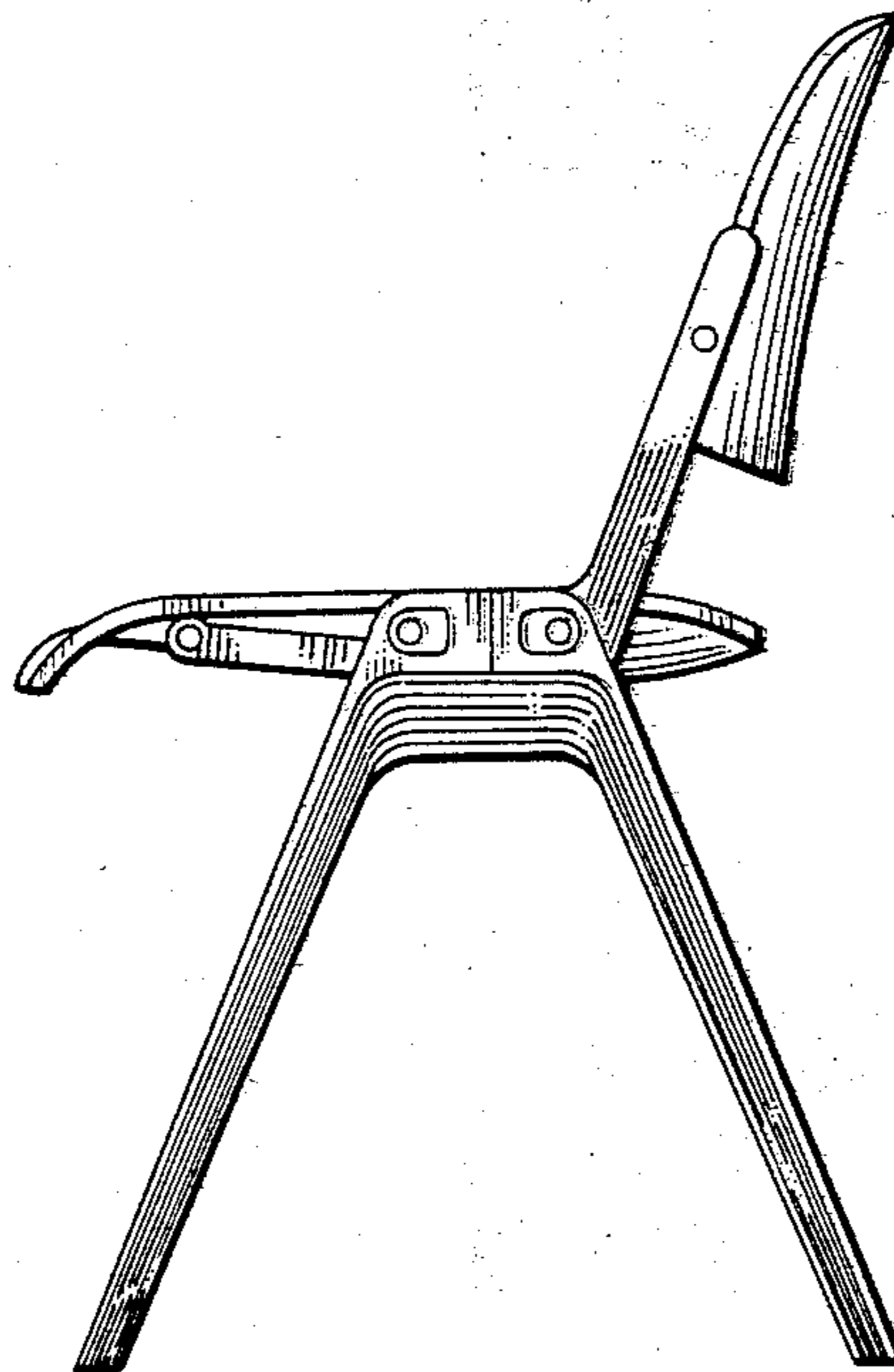
[30] Foreign Application Priority Data

Jun. 5, 1984 [IT] Italy 53459/84[U]

[52] U.S. Cl. D6/380

[58] Field of Search D6/364, 365, 366, 380;
297/452, 448, 451

FIG. 1 is a side elevation of one side of a chair embodying my design;
FIG. 2 is a front elevation view thereof;
FIG. 3 is a side elevation of the other side thereof;
FIG. 4 is a rear elevation thereof;
FIG. 5 is a bottom plan view thereof; and
FIG. 6 is a top plan view thereof.



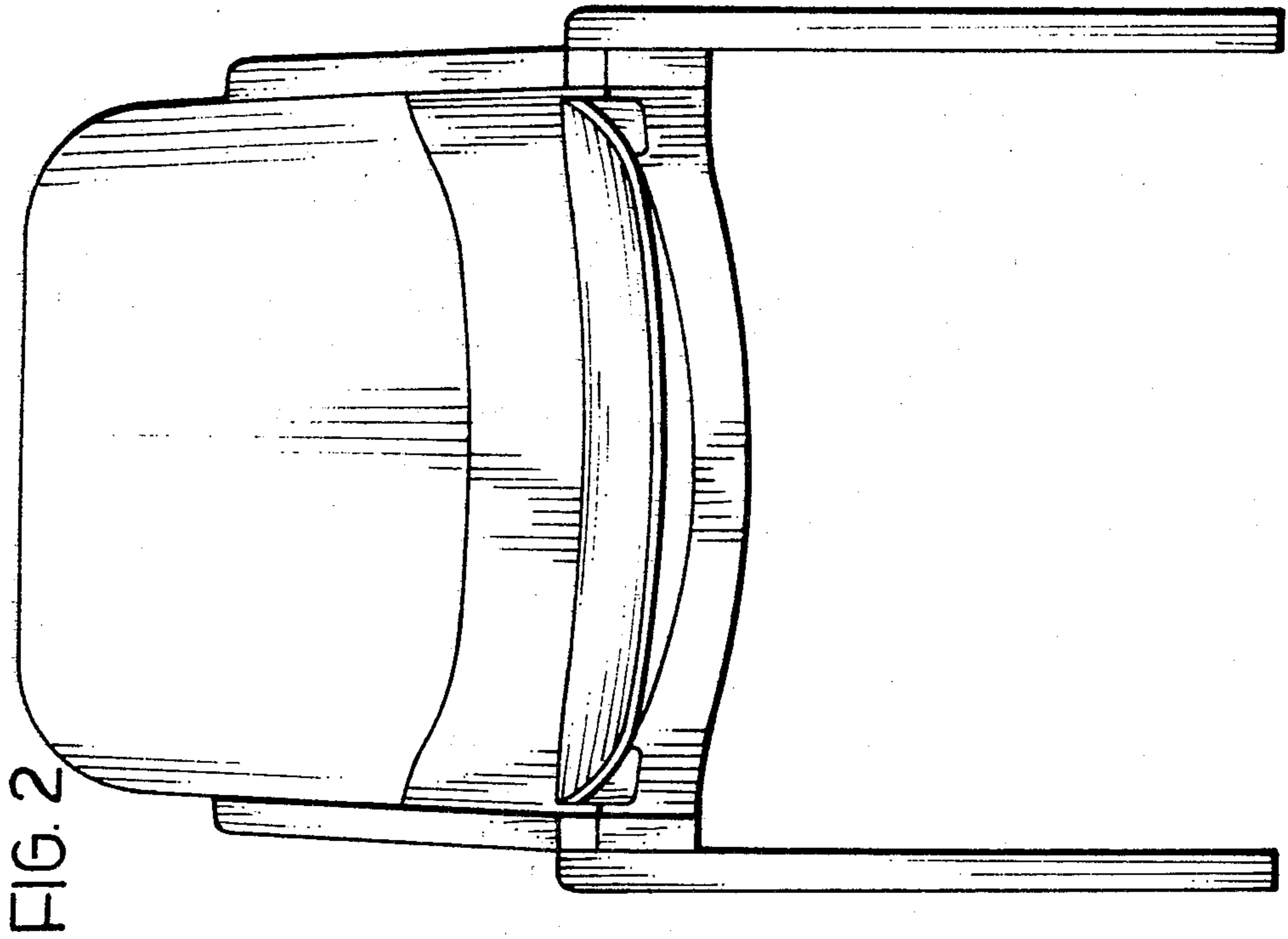


FIG. 2

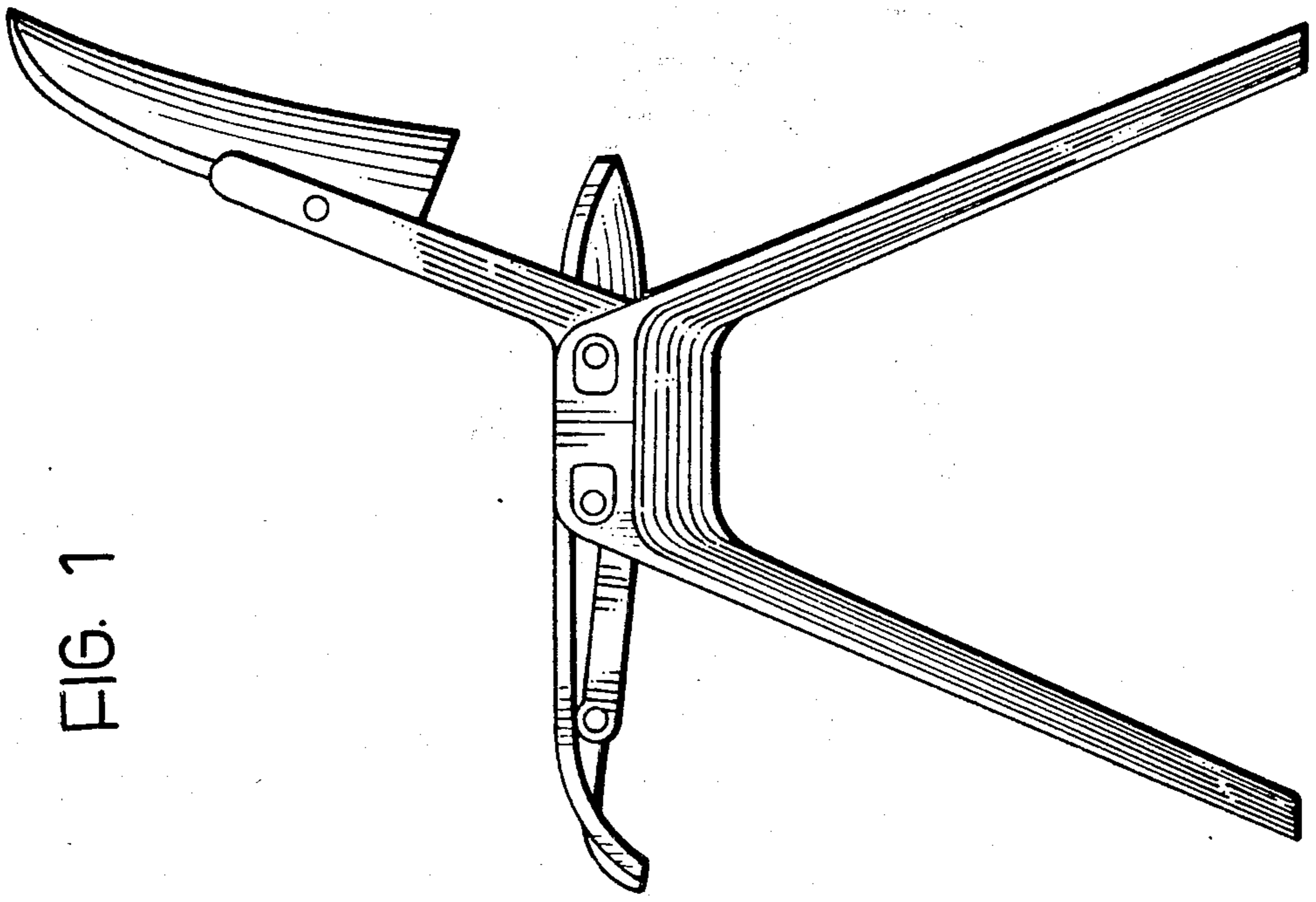


FIG. 1

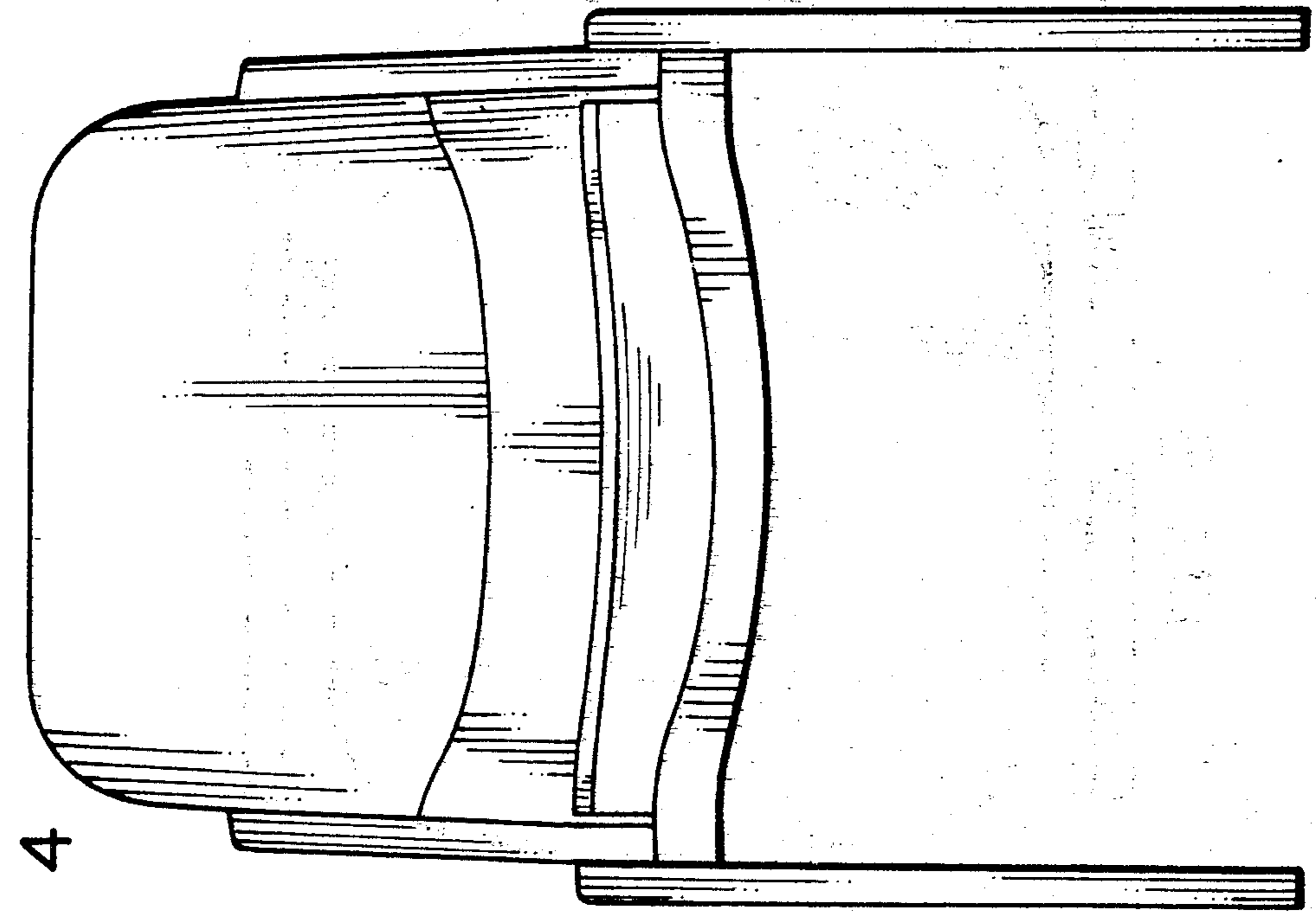


FIG. 4

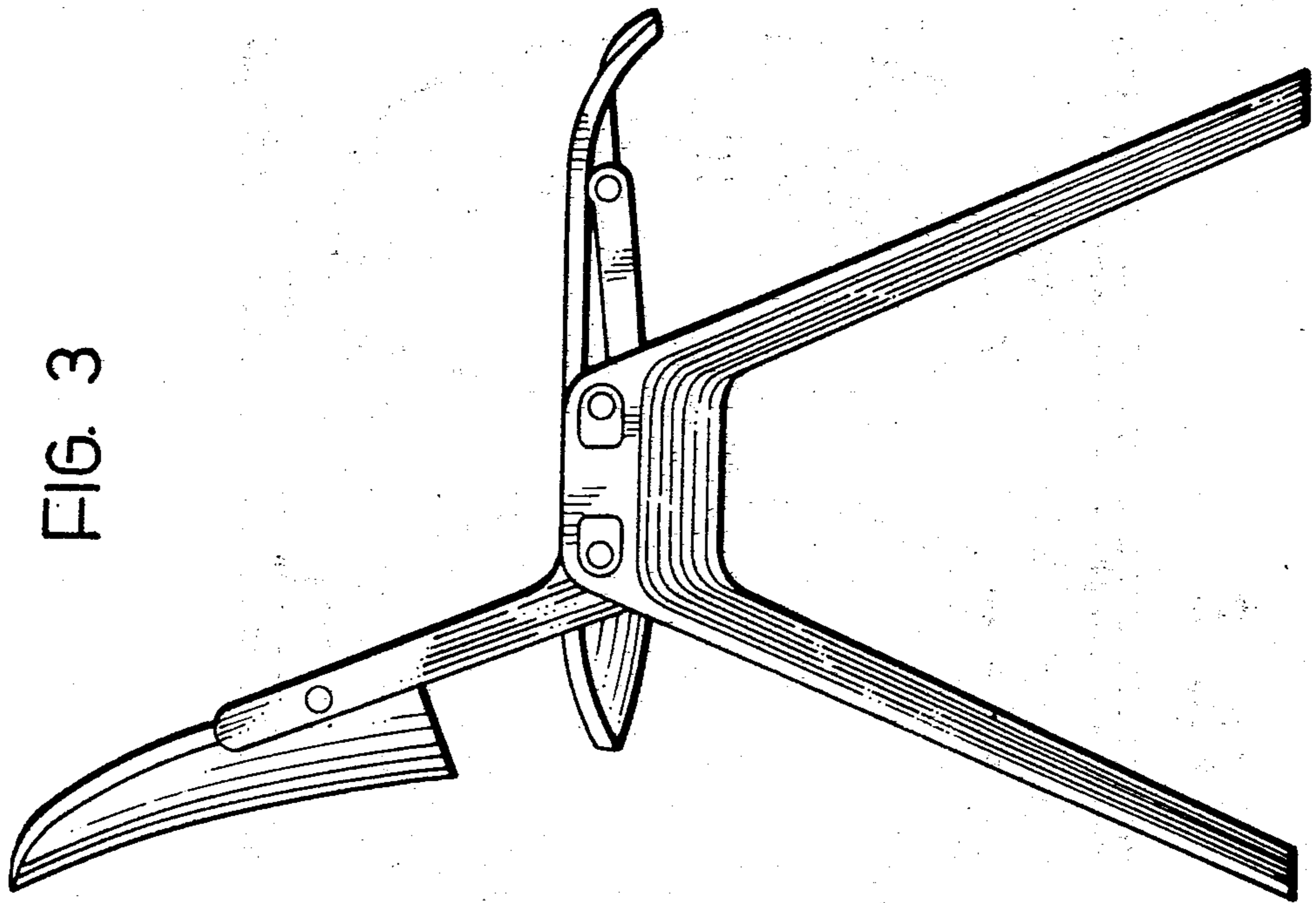


FIG. 3

FIG. 5

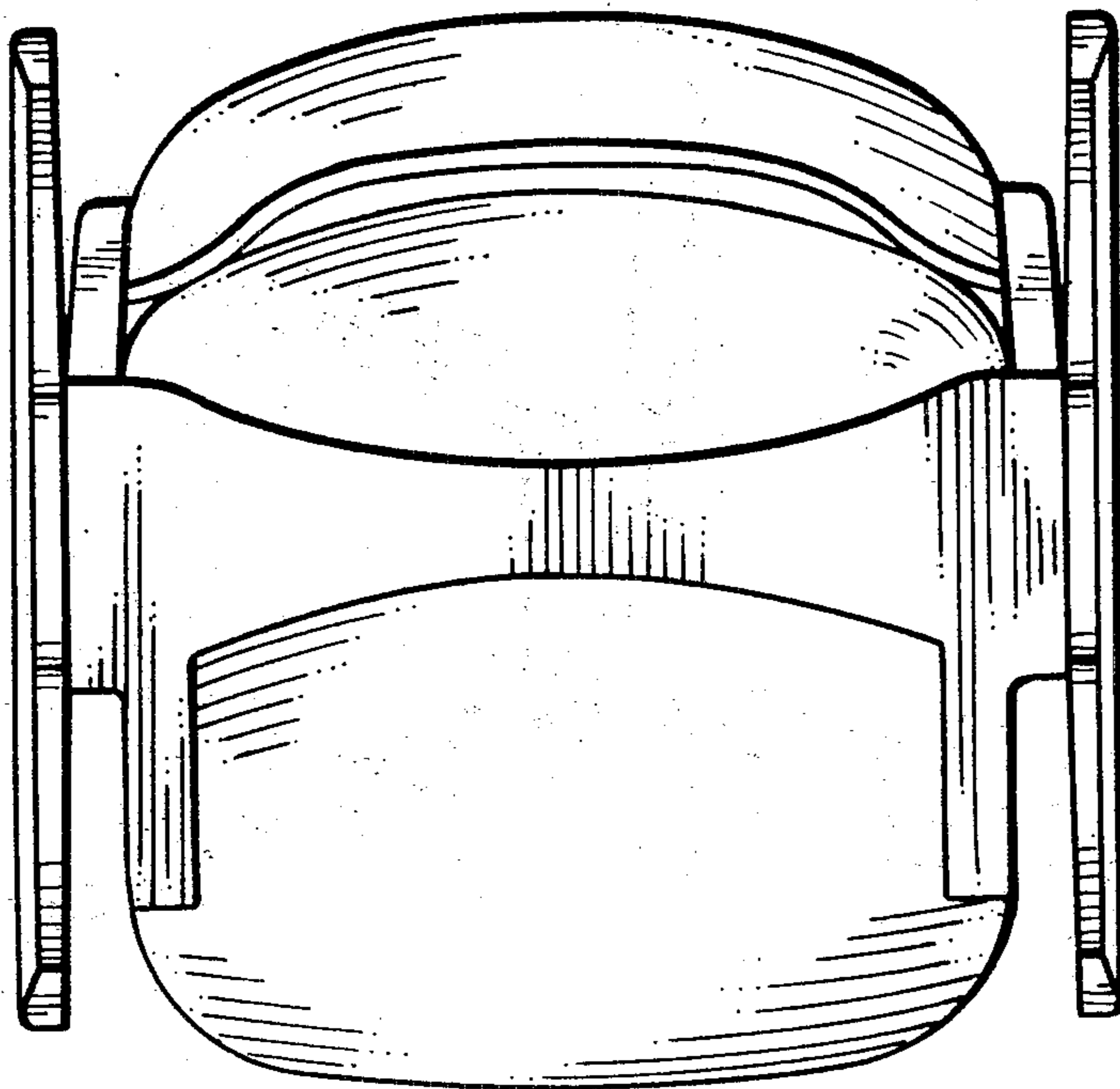


FIG. 6

