

[54] TOOL TRAY

Attorney, Agent, or Firm—Walker & McKenzie

[76] Inventor: Charles D. Gatlin, Jr., 1168 Sycamore, Collierville, Tenn. 38017

[57] CLAIM

The ornamental design for a tool tray, as shown and described.

[**] Term: 14 Years

DESCRIPTION

[21] Appl. No.: 617,257

FIG. 1 is a perspective view of a tool tray showing my new design;

[22] Filed: Jun. 4, 1984

FIG. 2 is a top plan view thereof;

[52] U.S. Cl. D34/45; D34/46

FIG. 3 is a side elevational view thereof;

[58] Field of Search D3/30.1, 73, 74;

FIG. 4 is a bottom plan view thereof;

D34/40-45; 312/DIG. 33; 206/373, 372, 378; 220/DIG. 10; D24/31

FIG. 5 is an end elevational view thereof;

FIG. 6 is a cross-sectional view taken along line 6—6 of FIG. 2;

[56] References Cited

U.S. PATENT DOCUMENTS

- D. 152,167 12/1948 Montague D34/46
- D. 154,436 7/1949 Solworth D34/44
- D. 264,514 5/1982 Kordan D3/74
- D. 269,918 7/1983 Dembricks D34/44
- 1,845,202 2/1932 Shriver 312/DIG. 33
- 3,892,331 7/1975 Beck 312/DIG. 33

FIG. 7 is a cross-sectional view taken along line 7—7 of FIG. 2;

FIG. 8 is a perspective view of a second embodiment of the tool tray;

FIG. 9 is a top plan view thereof;

FIG. 10 is a side elevational view thereof;

FIG. 11 is a bottom plan view thereof;

FIG. 12 is an end elevational view thereof;

FIG. 13 is a cross-sectional view taken along line 13—13 of FIG. 9; and

FIG. 14 is a cross-sectional view taken along line 14—14 of FIG. 9.

OTHER PUBLICATIONS

TMC Inc. Flyer (©1978).

Primary Examiner—George P. Word

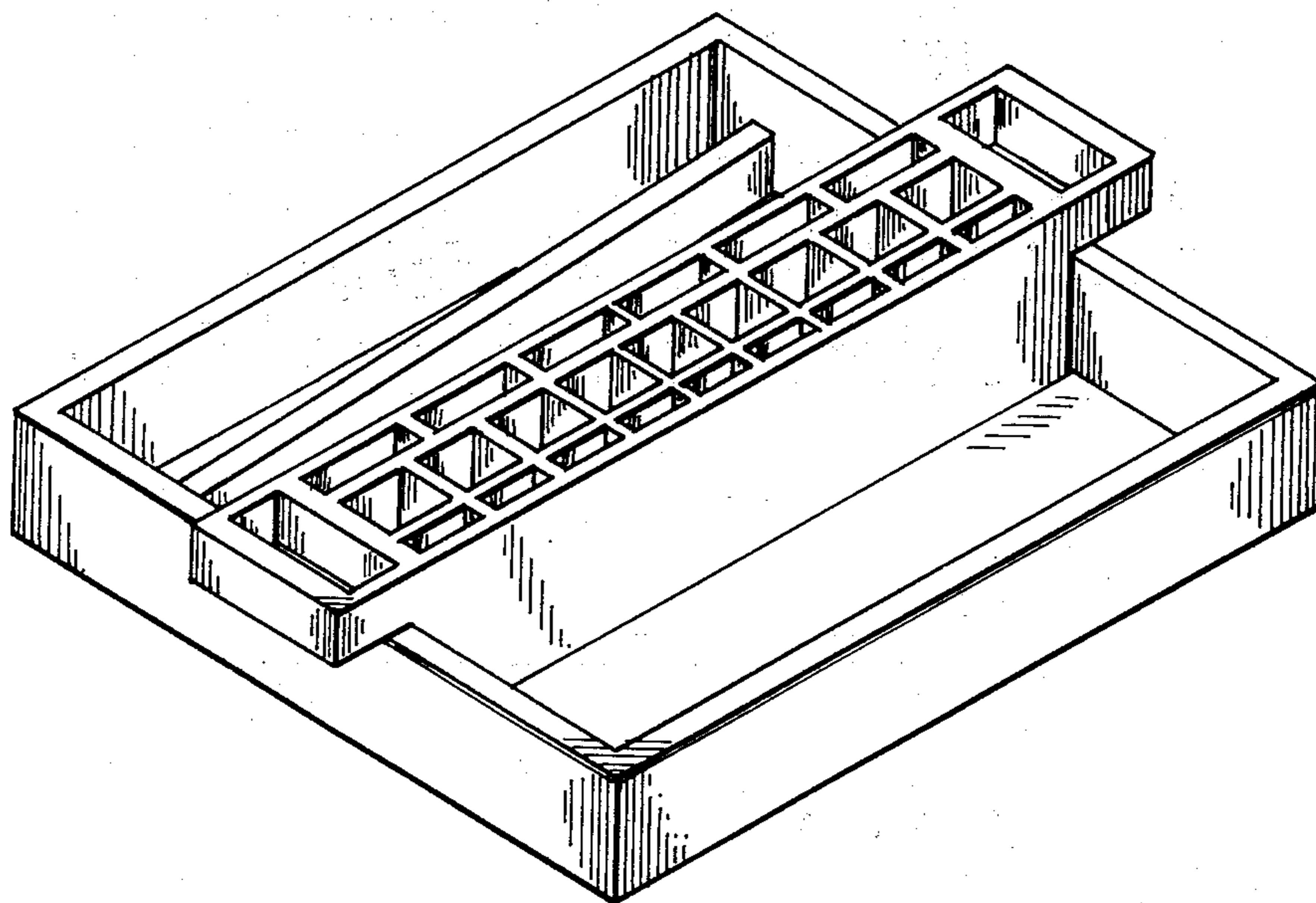


FIG. 1

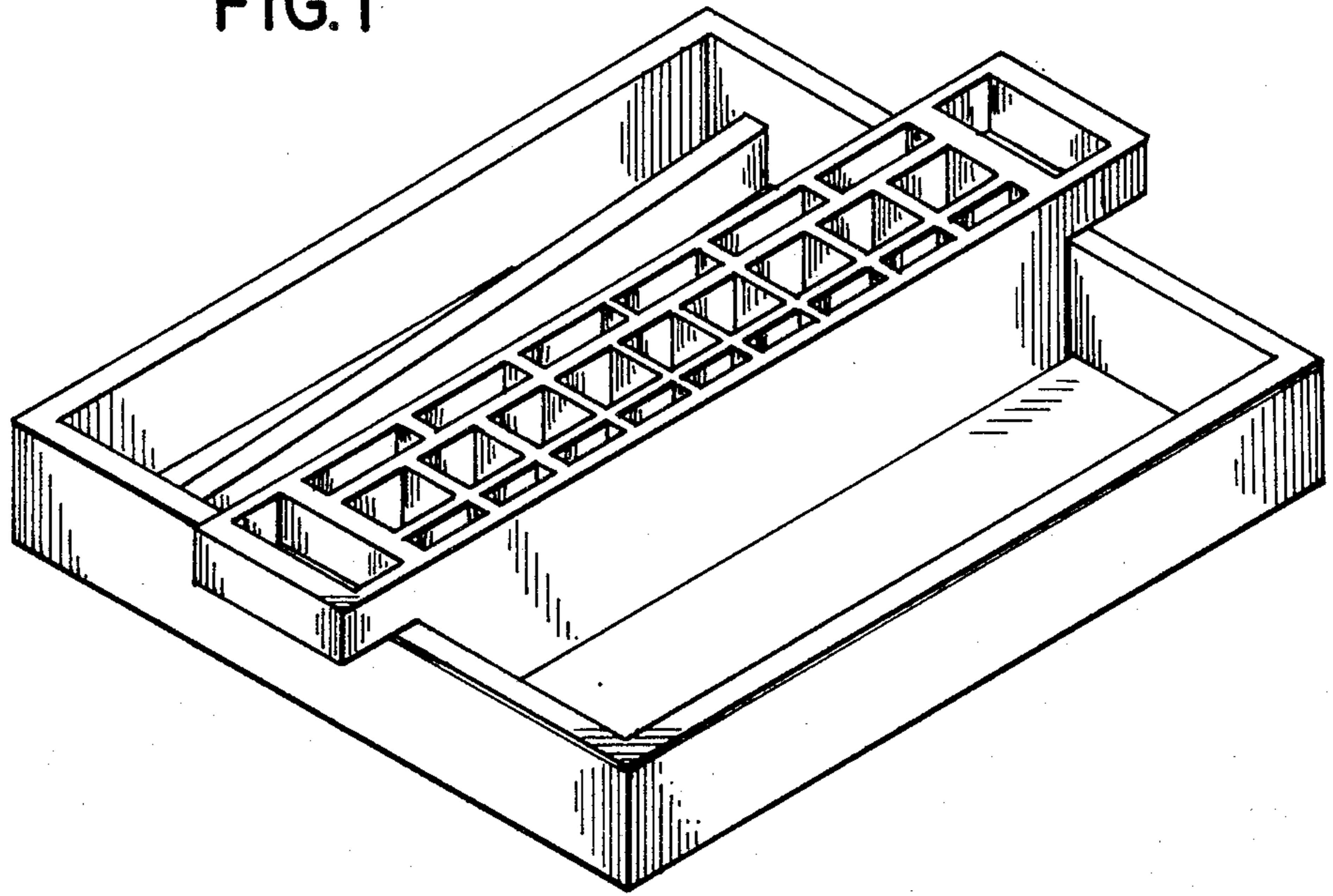


FIG. 2

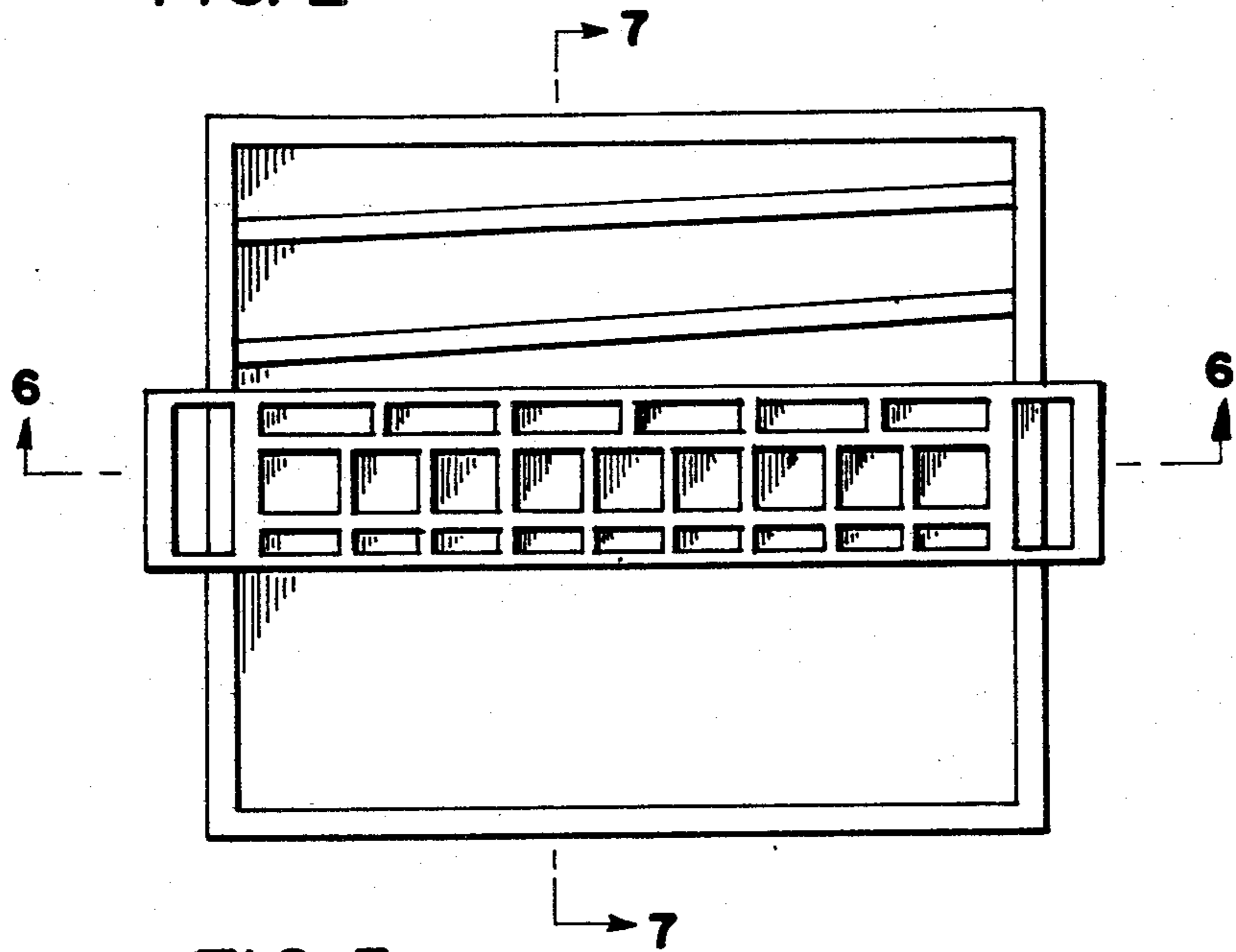


FIG. 3

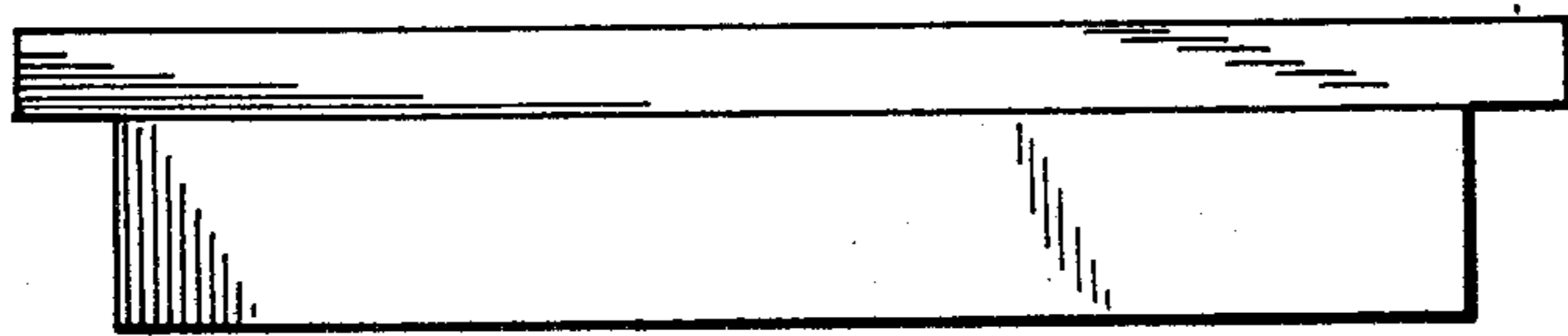


FIG. 4

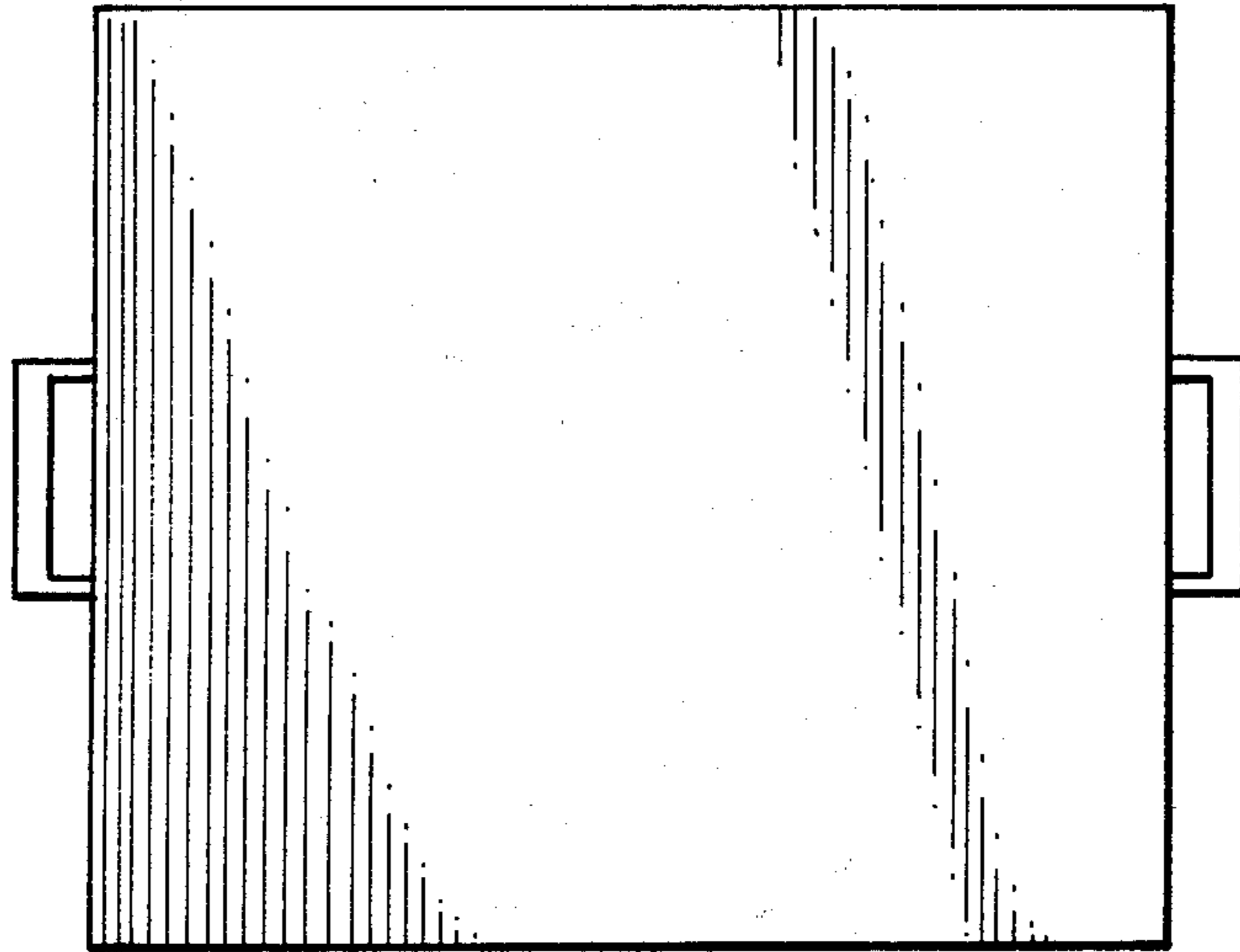


FIG. 5



FIG. 6

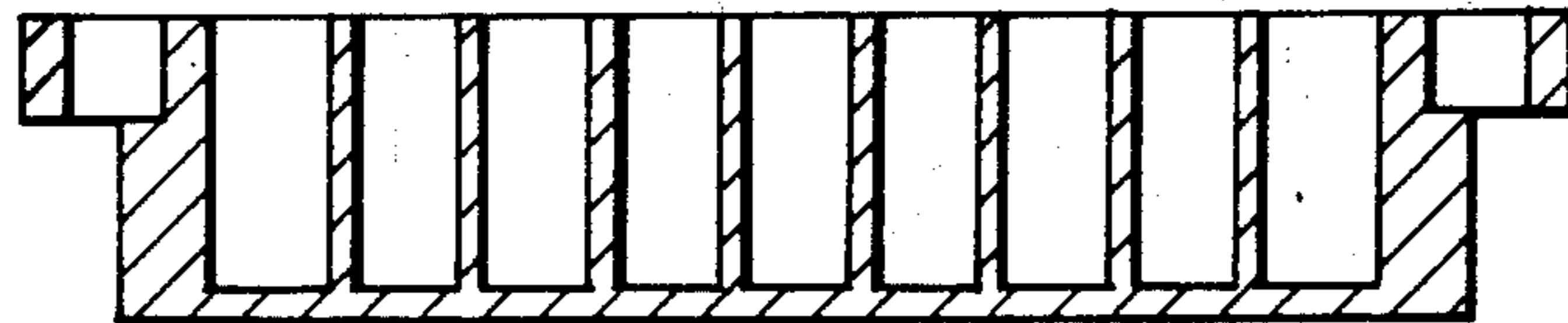


FIG. 7

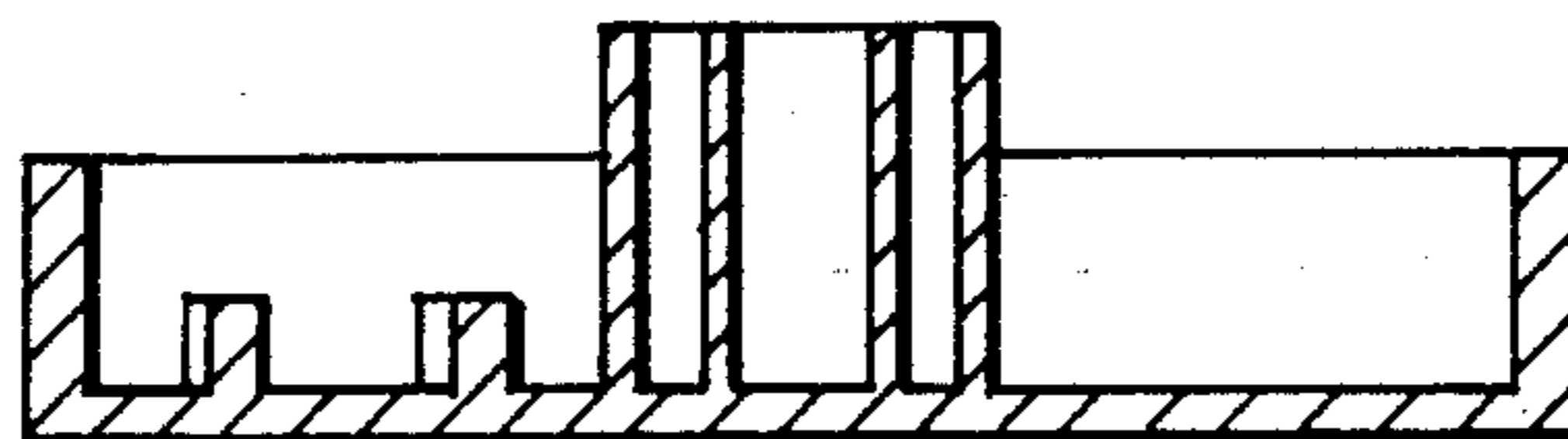


FIG. 8

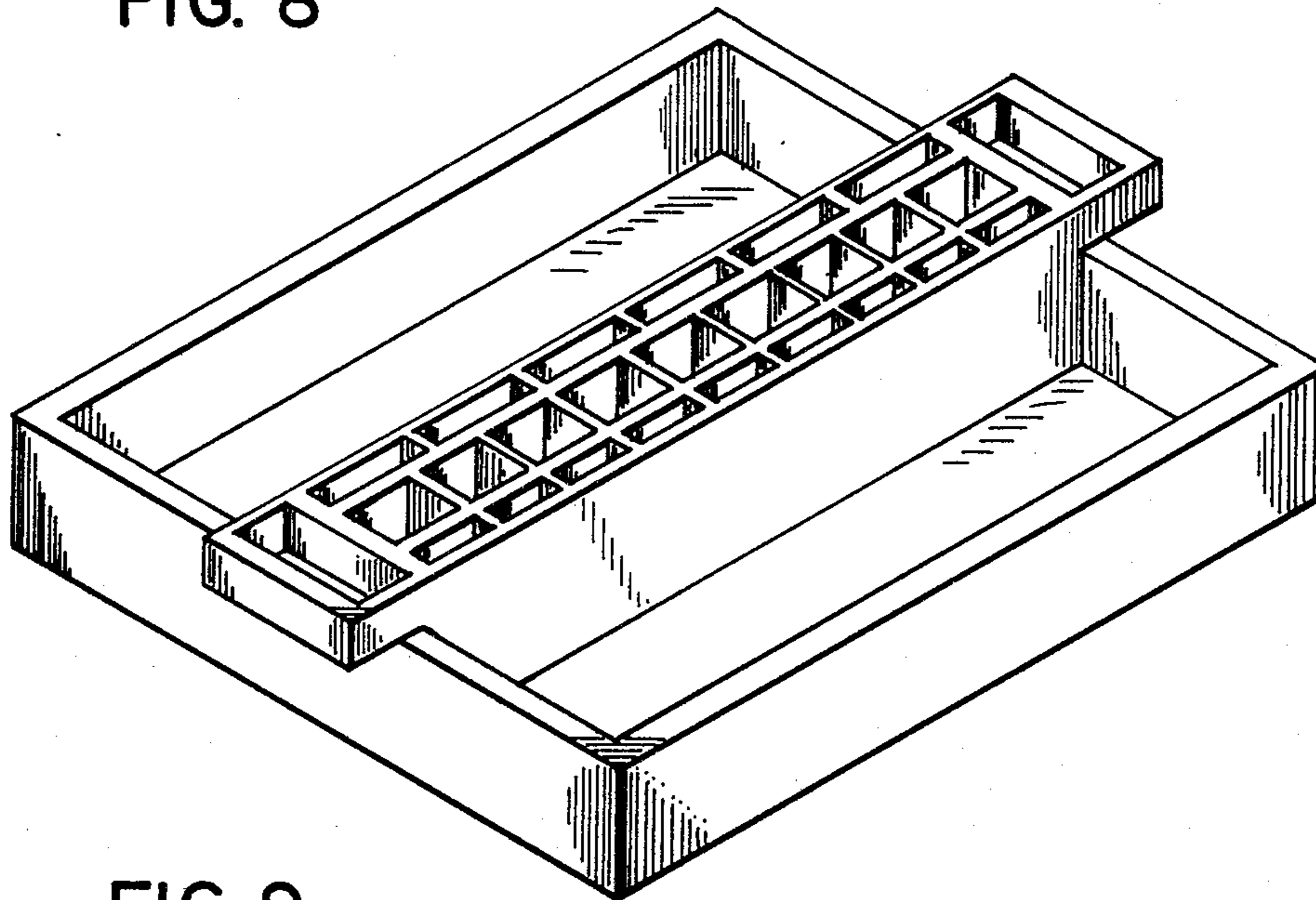


FIG. 9

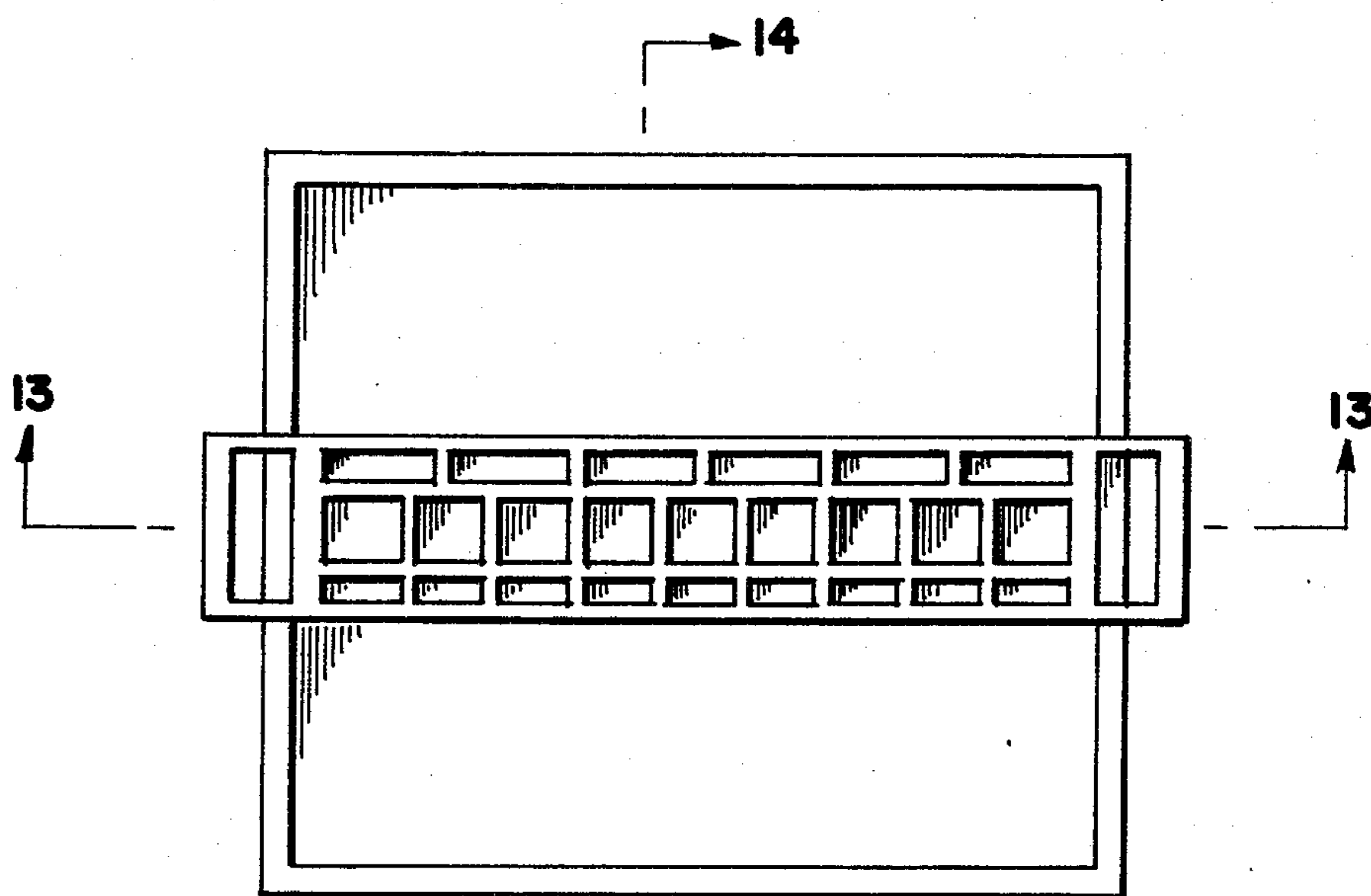


FIG. 10

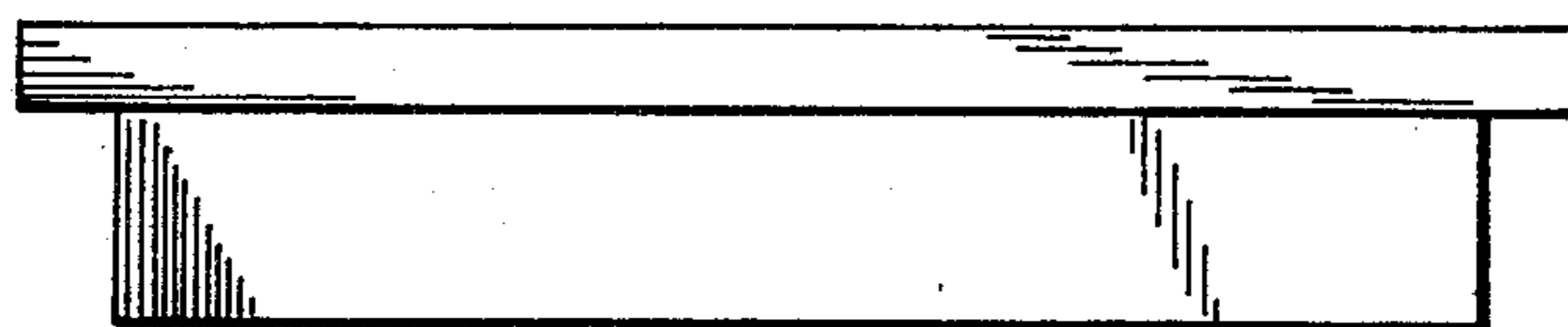


FIG. 11

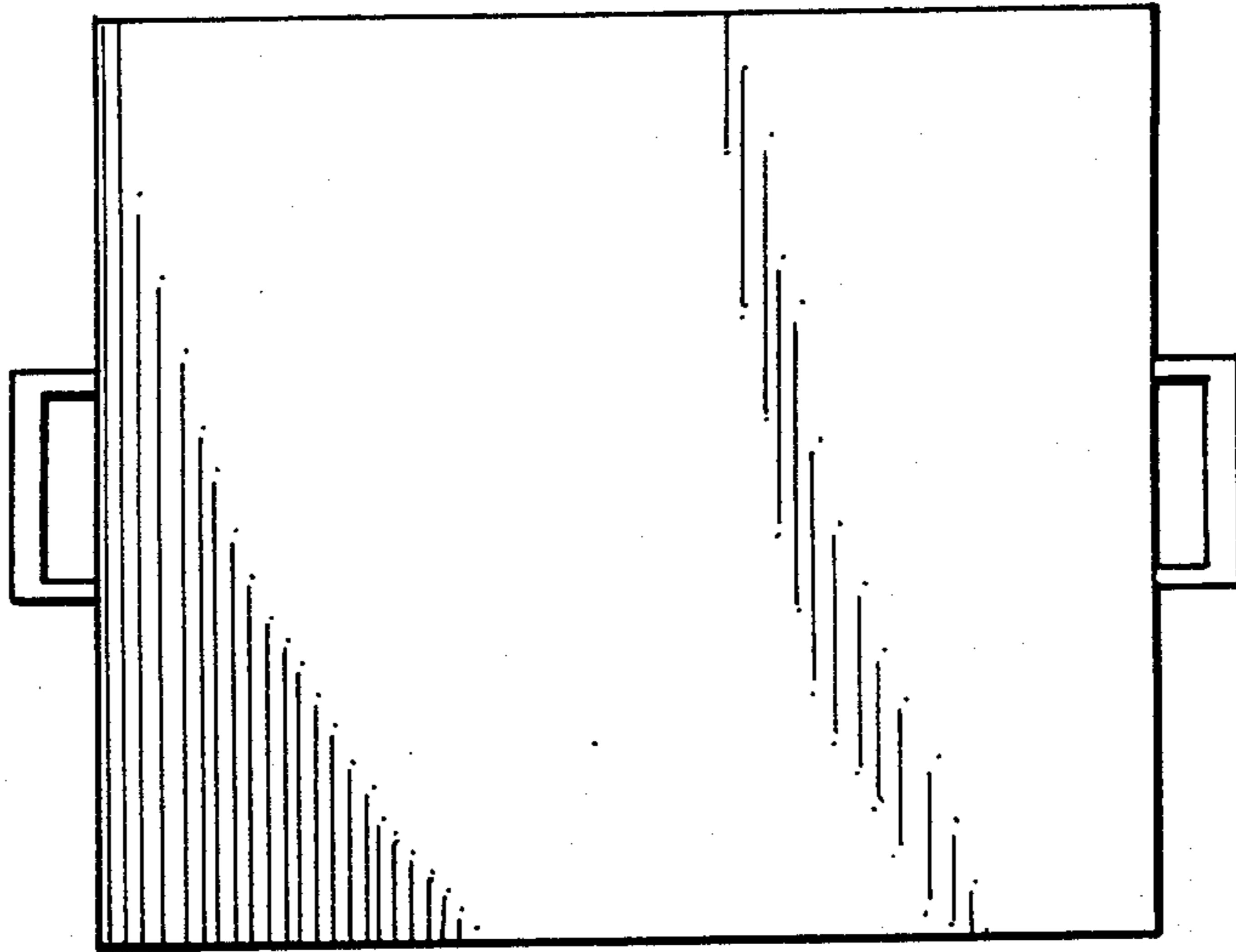


FIG. 12



FIG. 13

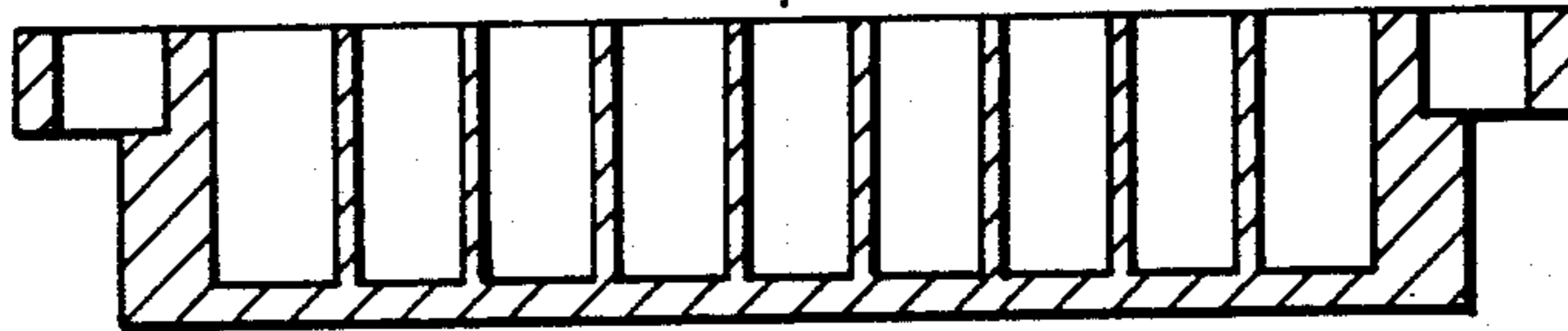


FIG. 14

