

[54] PAIR OF FRONT LOADER BUCKET TINES

[75] Inventor: Thomas I. Burenga, Montgomery County, Ill.

[73] Assignee: Worksaver, Inc., Litchfield, Ill.

[\*\*] Term: 14 Years

[21] Appl. No.: 570,021

[22] Filed: Jan. 11, 1984

[52] U.S. Cl. .... D34/35; D15/32

[58] Field of Search ..... D34/28, 29, 35; 414/722, 607, 622; D15/28, 32; 37/DIG. 3, 118

[56] References Cited

U.S. PATENT DOCUMENTS

3,458,069	7/1969	Wickberg et al. ....	414/722
3,908,844	9/1975	Duffield .....	37/DIG. 3
4,023,690	5/1977	Goode .....	D15/32

Primary Examiner—James M. Gandy  
Assistant Examiner—Kay H. Chin  
Attorney, Agent, or Firm—Paul M. Denk

[57] CLAIM

The ornamental design for a pair of front loader bucket tines, as shown and described.

DESCRIPTION

FIG. 1 is a perspective view of a pair of front loader bucket tines showing my new design, it being understood that the broken lines are for illustrative purposes only;

FIG. 2 is a top plan view of one of the front loader bucket tines shown separately for clarity of illustration;

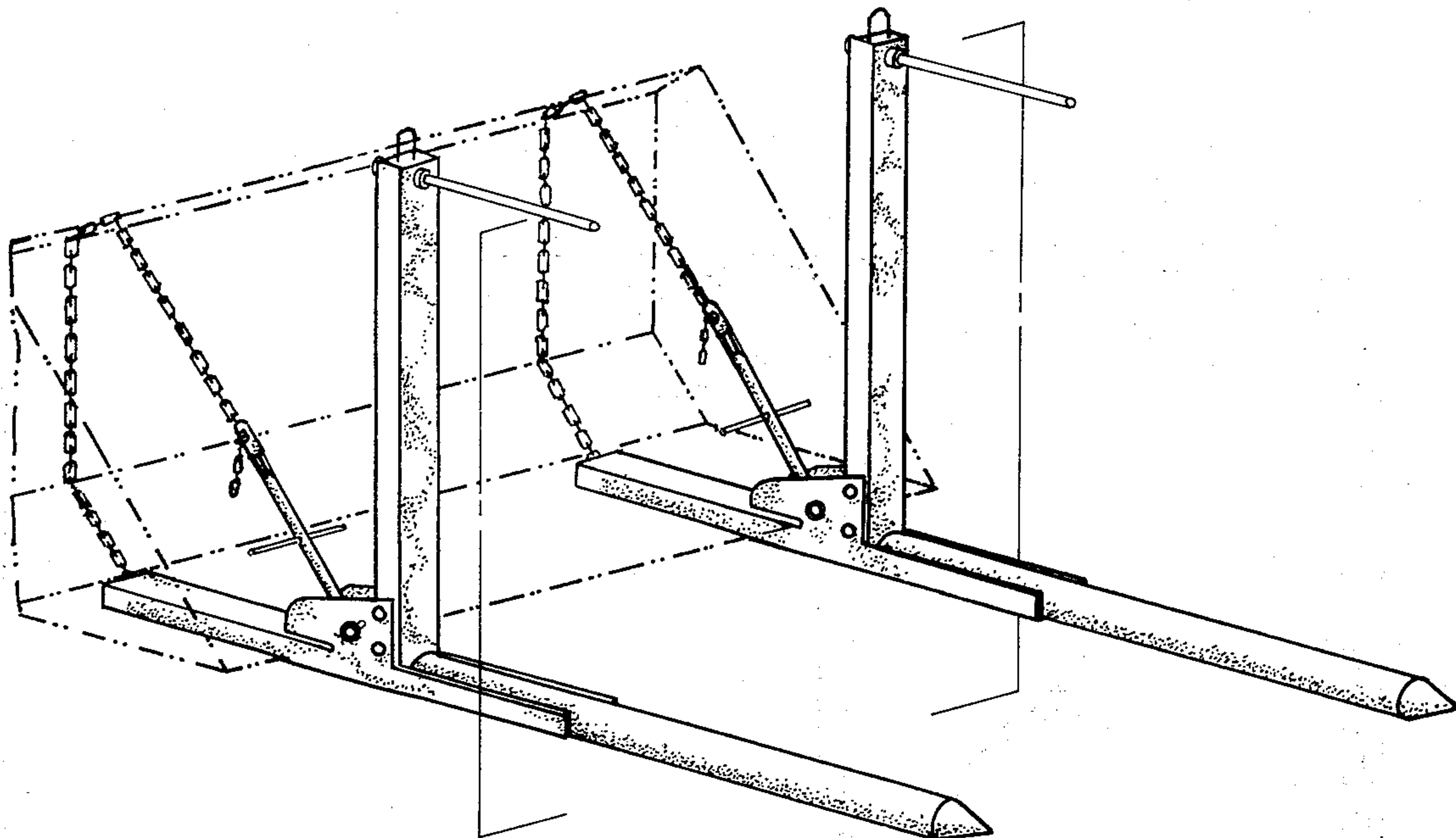
FIG. 3 is a side elevational view of FIG. 2;

FIG. 4 is a front elevational view of FIG. 2;

FIG. 5 is a rear elevational view of FIG. 2; and

FIG. 6 is a bottom plan view of FIG. 2.

The chain has been shown broken away in FIG. 3 and omitted in FIG. 2 and 5 for convenience of illustration.



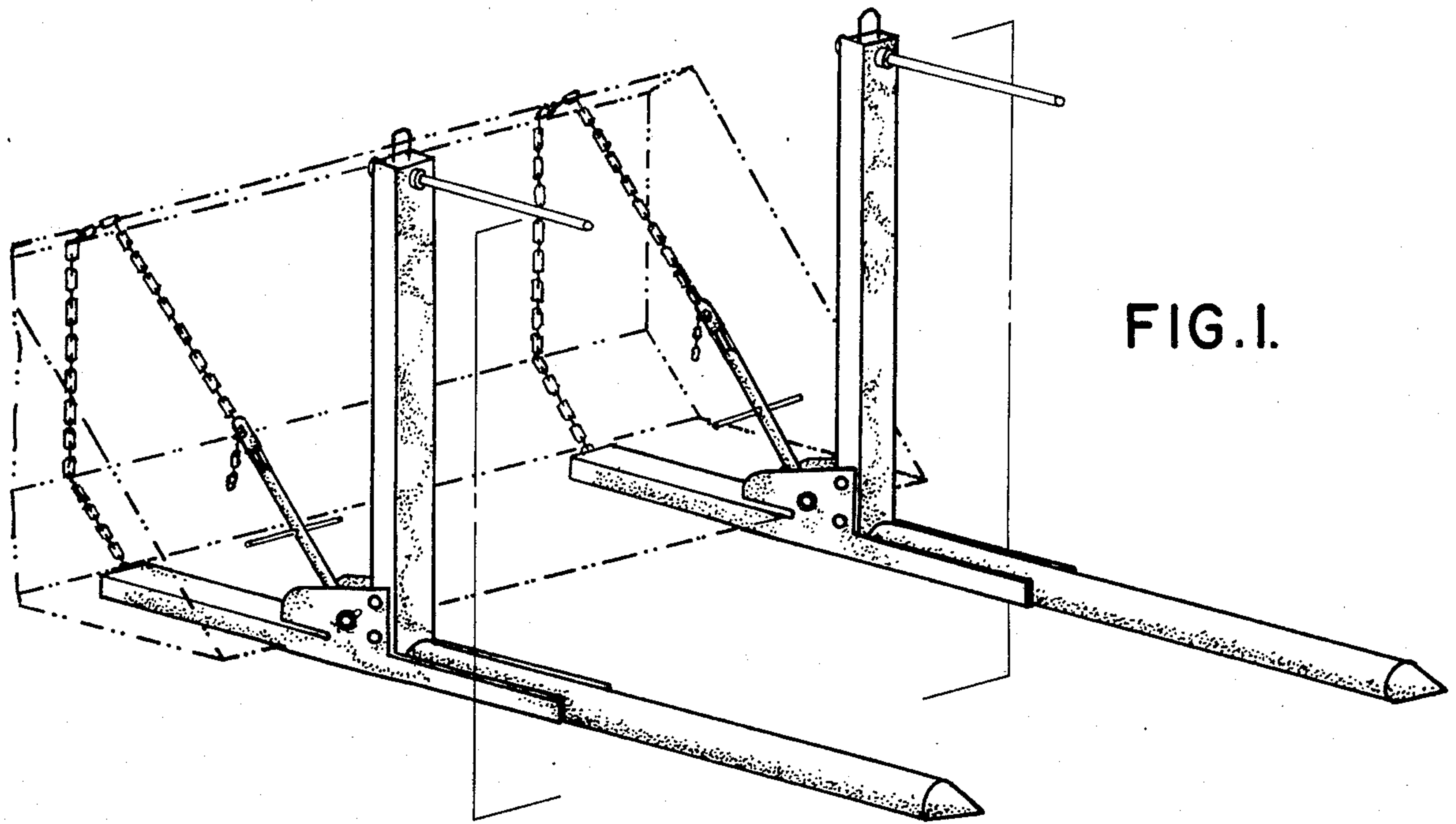


FIG. 1.

FIG. 2.

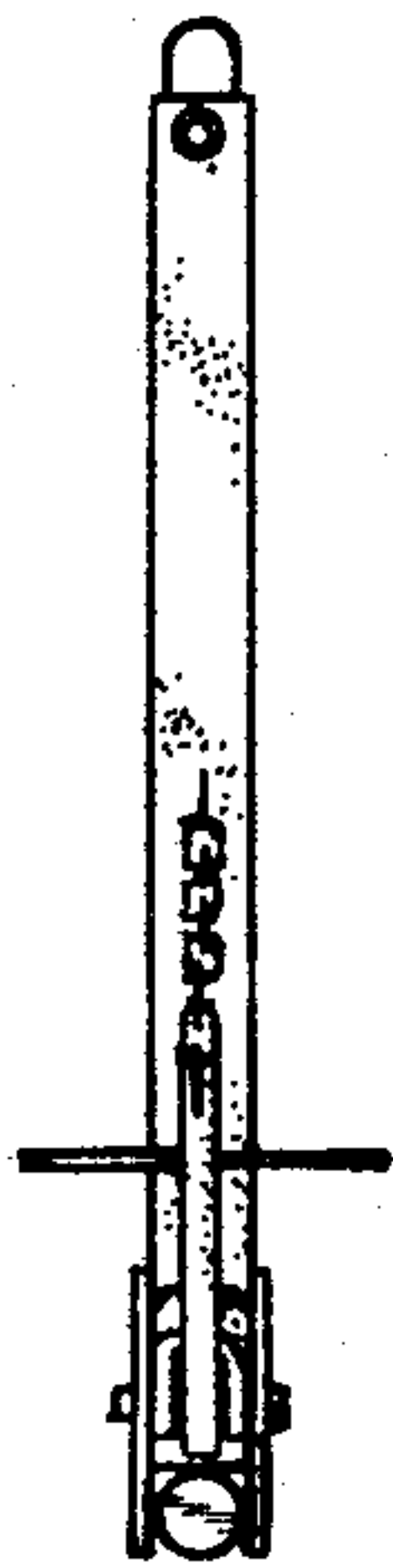


FIG. 5.

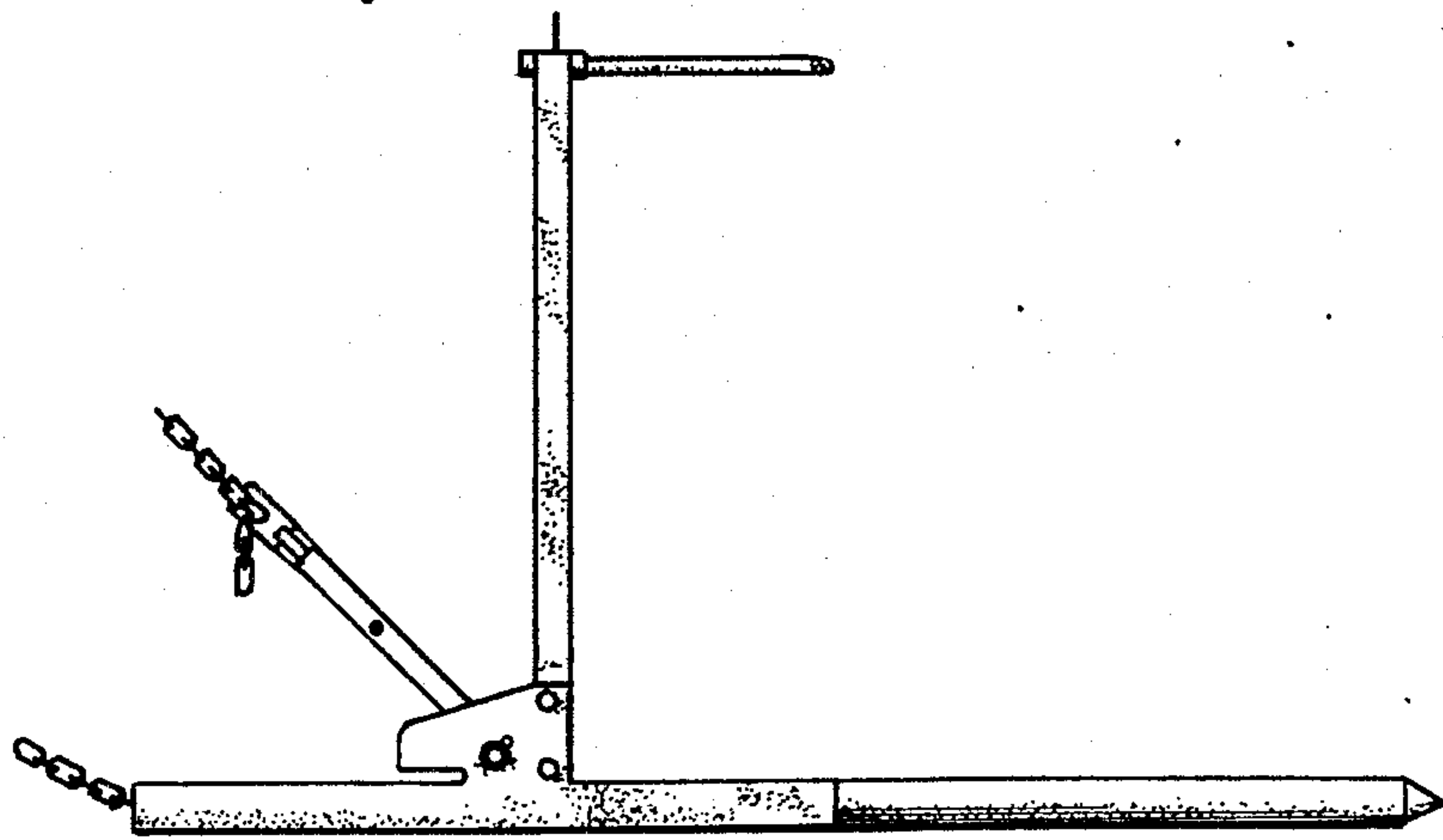


FIG. 3.

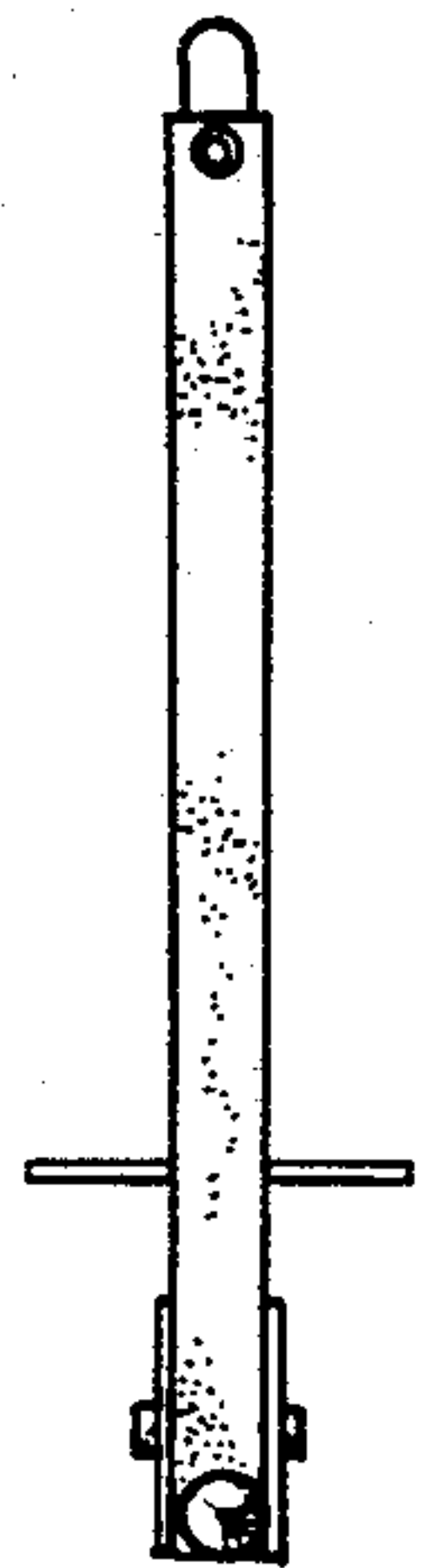


FIG. 4.

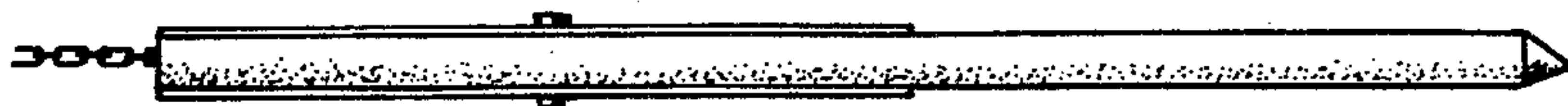


FIG. 6.