

[54] SINK DRAINBOARD

[76] Inventor: Walter C. McDaniel, Sr., Rte. 5, Box 92, Eufaula, Ala. 36027

[\*\*] Term: 14 Years

[21] Appl. No.: 821,770

[22] Filed: Jan. 23, 1986

[52] U.S. Cl. .... D32/56

[58] Field of Search ..... D32/56; 211/41, 74, 211/71; 4/637, 656

[56] References Cited

U.S. PATENT DOCUMENTS

- D. 151,047 9/1948 Jensen ..... D32/56
- D. 196,169 9/1963 Steinberg ..... D32/56
- D. 205,833 9/1966 Gardner ..... D32/56
- D. 267,125 11/1982 Luonia ..... D32/56

D. 279,320 6/1985 Ivanusic ..... D32/56

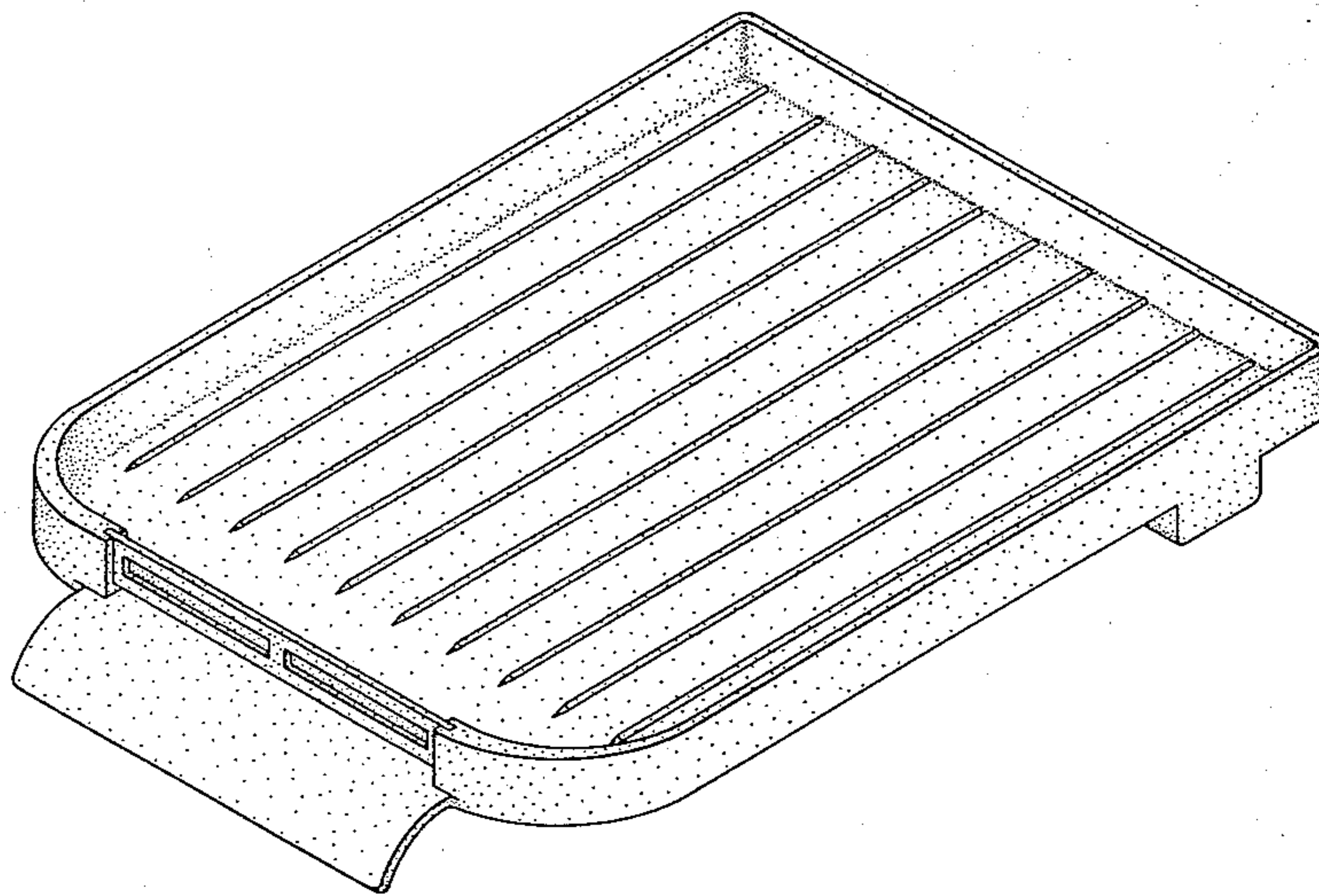
Primary Examiner—Catherine E. Kemper  
Attorney, Agent, or Firm—Jennings, Carter, Thompson & Veal

[57] CLAIM

The ornamental design for a sink drainboard, as shown and described.

DESCRIPTION

FIG. 1 is a perspective view of a sink drainboard showing my new design;  
 FIG. 2 is a side elevational view thereof drawn to a slightly larger scale, the side not shown being a mirror image of the side shown;  
 FIG. 3 is a front elevational view thereof;  
 FIG. 4 is a rear elevational view thereof;  
 FIG. 5 is a top plan view thereof; and,  
 FIG. 6 is a bottom plan view thereof.



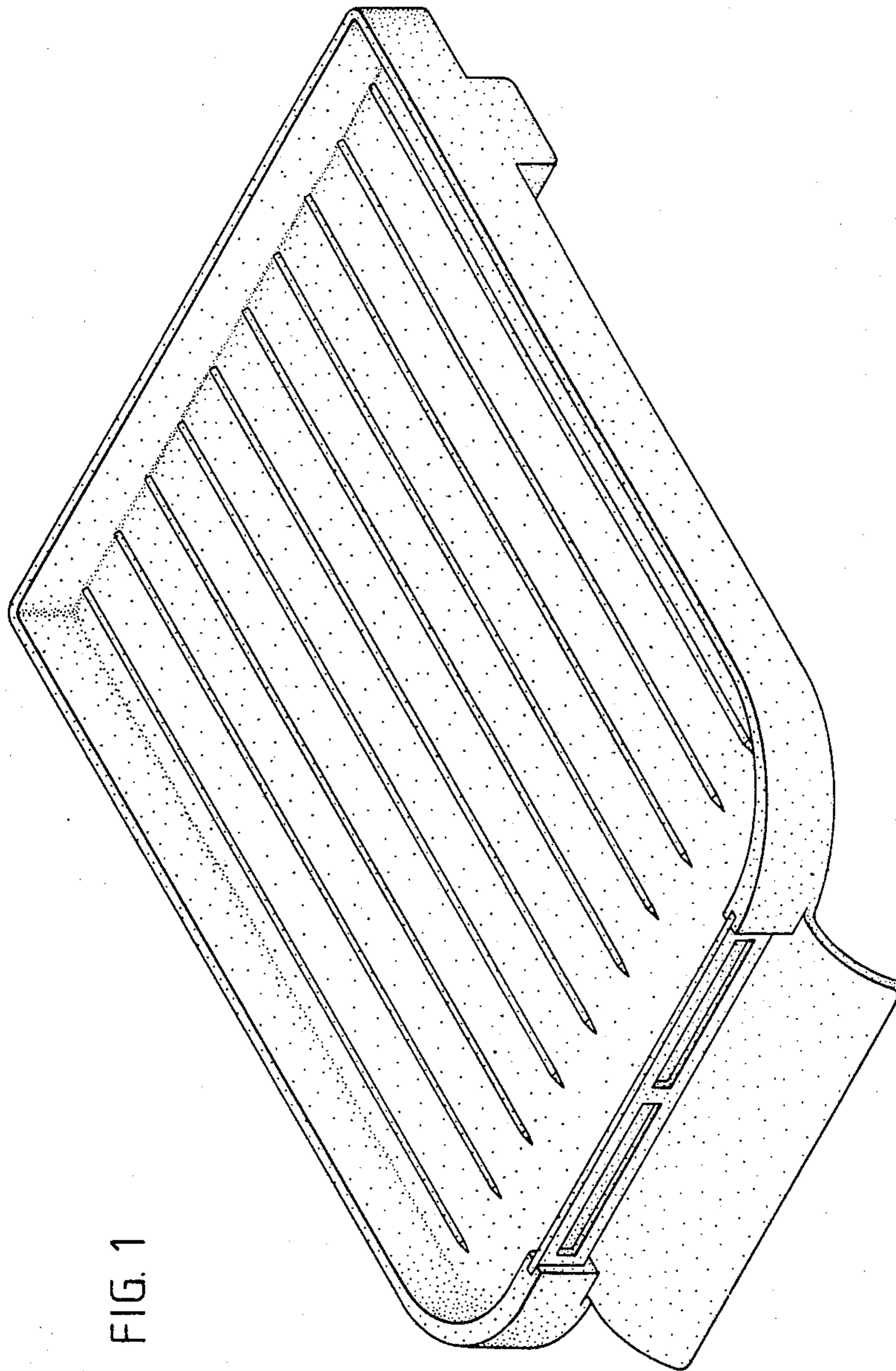


FIG. 1

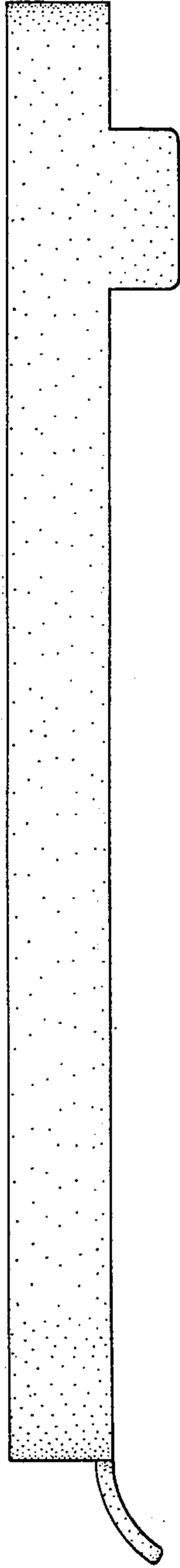


FIG. 2

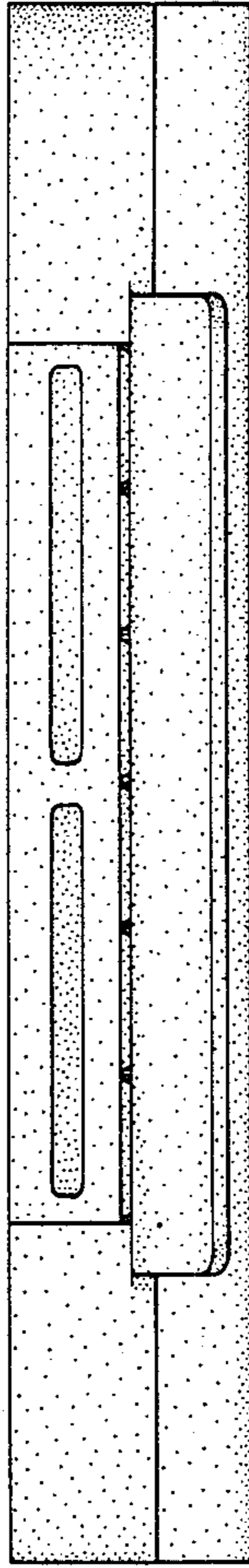


FIG. 3

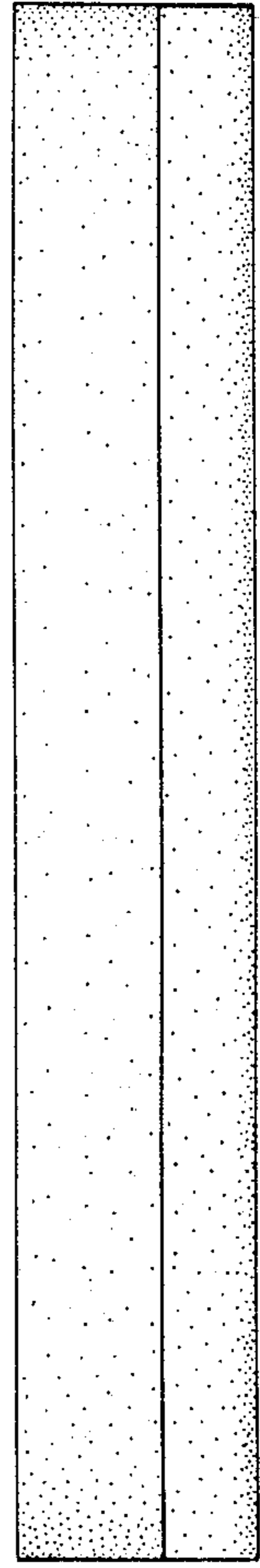


FIG. 4

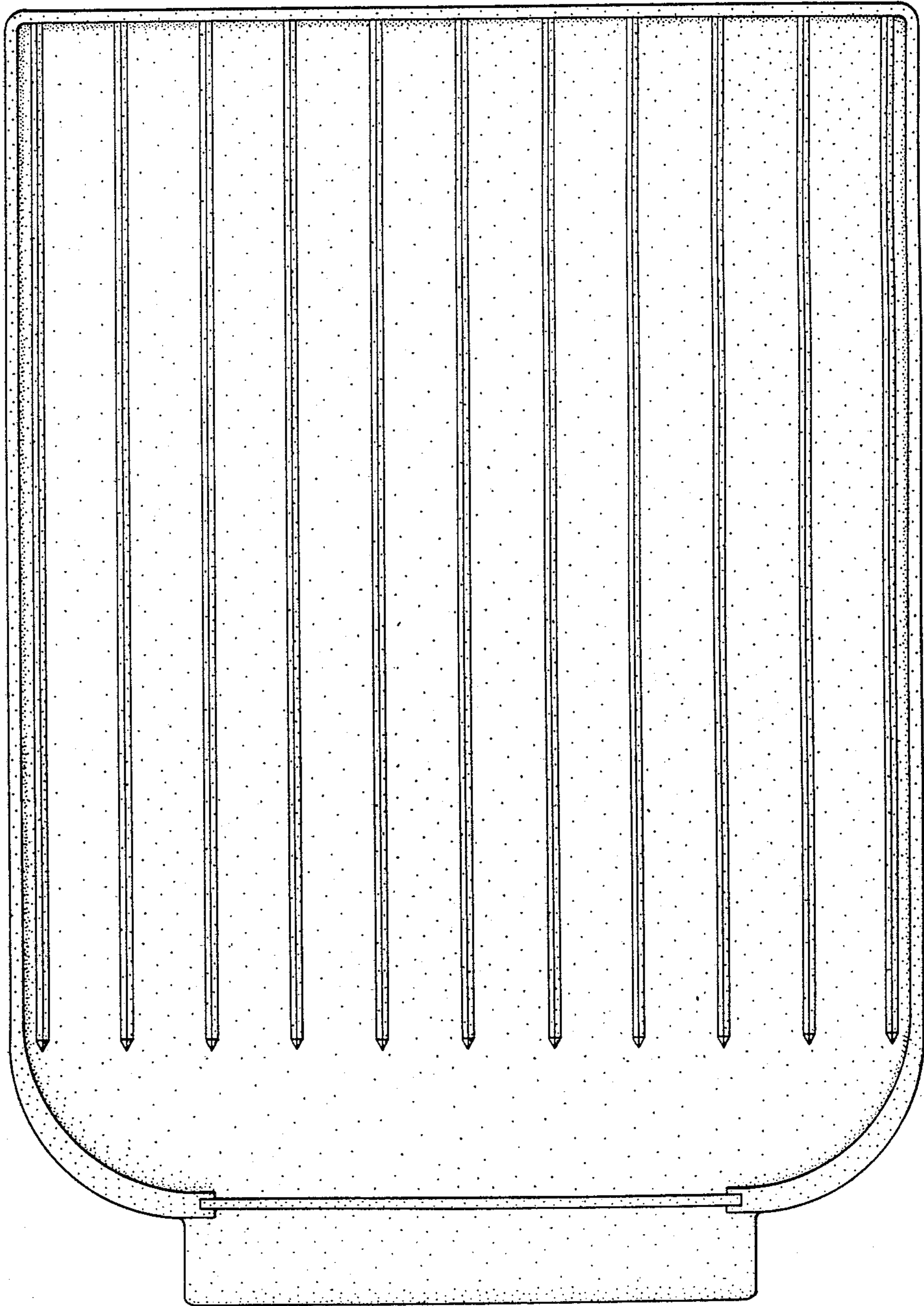


FIG. 5

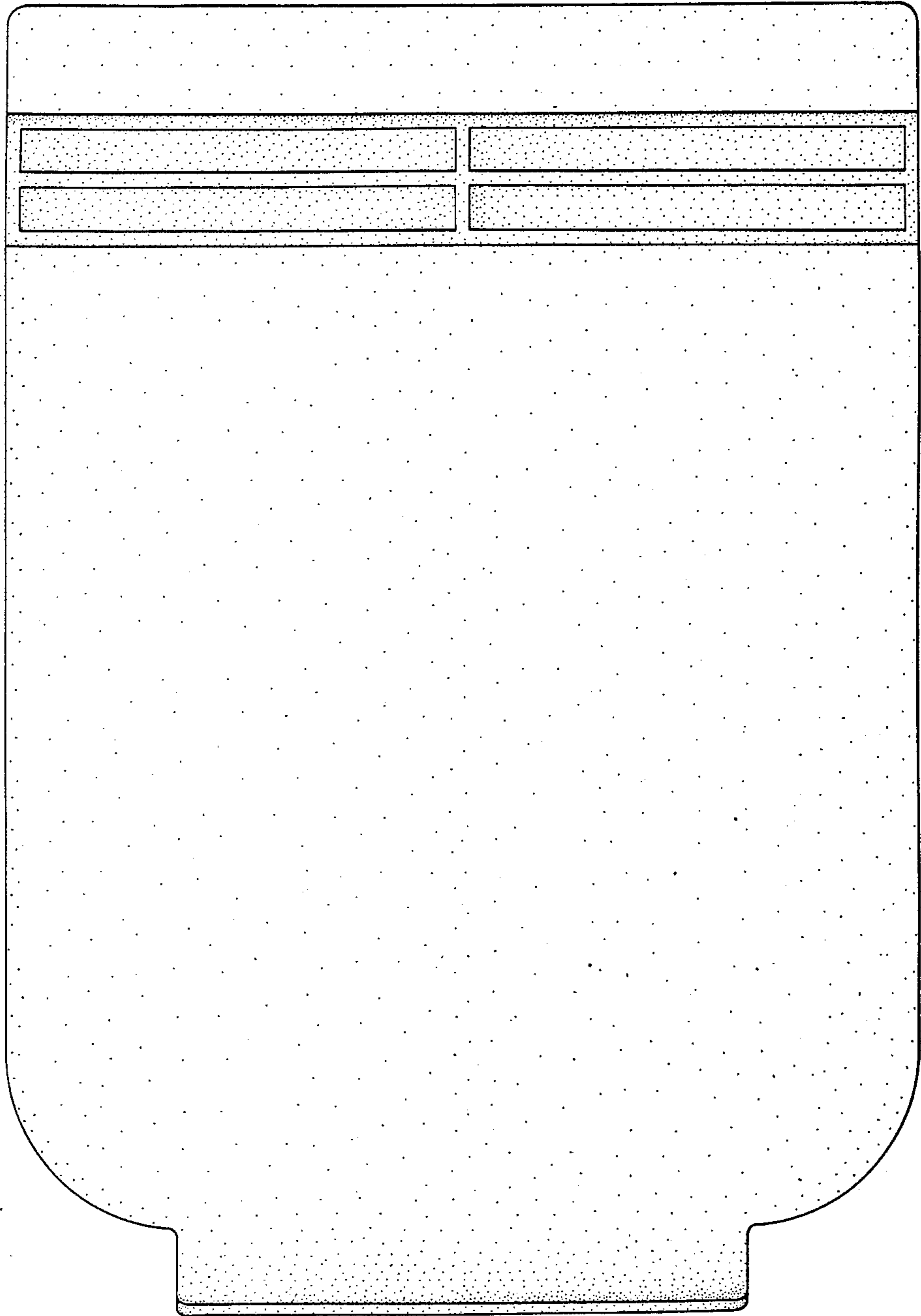


FIG. 6