

[54] **PRESSURE SPRAY WASHER OR THE LIKE**

[75] Inventors: **Rudy R. Proctor, Costa Mesa; Fred M. Reinstein, Encino, both of Calif.**

[73] Assignee: **Turbo Tek Enterprises, Inc., Los Angeles, Calif.**

[**] Term: **14 Years**

[21] Appl. No.: **714,159**

[22] Filed: **Mar. 21, 1985**

[52] U.S. Cl. **D32/1**

[58] Field of Search **D32/1, 17; D23/18; 15/3.5, 3.52, 320-322, DIG. 10; 239/302, 310, 315, 317, 320, 338, 532, 85**

[56] **References Cited**

U.S. PATENT DOCUMENTS

D. 132,289	5/1942	Thompson	D23/18
D. 133,395	8/1942	Tammen	D23/18
D. 163,147	5/1951	Smith	D23/18
D. 198,954	8/1964	Liljemark	D8/52
D. 270,368	8/1983	Grime	D23/18
D. 285,244	8/1986	Clivio et al.	D23/18
1,656,334	1/1928	McKenney	239/315
1,674,515	6/1928	Johnson	239/323
1,908,834	5/1933	Engberg et al.	200/157
2,064,178	12/1936	Pickard	239/315
2,201,080	5/1940	Clark	299/84

2,795,460	6/1957	Bletcher et al.	299/84
3,018,970	1/1962	Wittenberg et al.	239/323
3,180,580	4/1965	Schedel	239/318
3,184,113	5/1965	Curtis	222/386.5
3,361,300	1/1968	Kaplan	239/310
3,447,753	6/1969	Proctor et al.	239/317
3,770,205	11/1973	Proctor et al.	239/317
4,418,869	12/1983	Healy	239/317

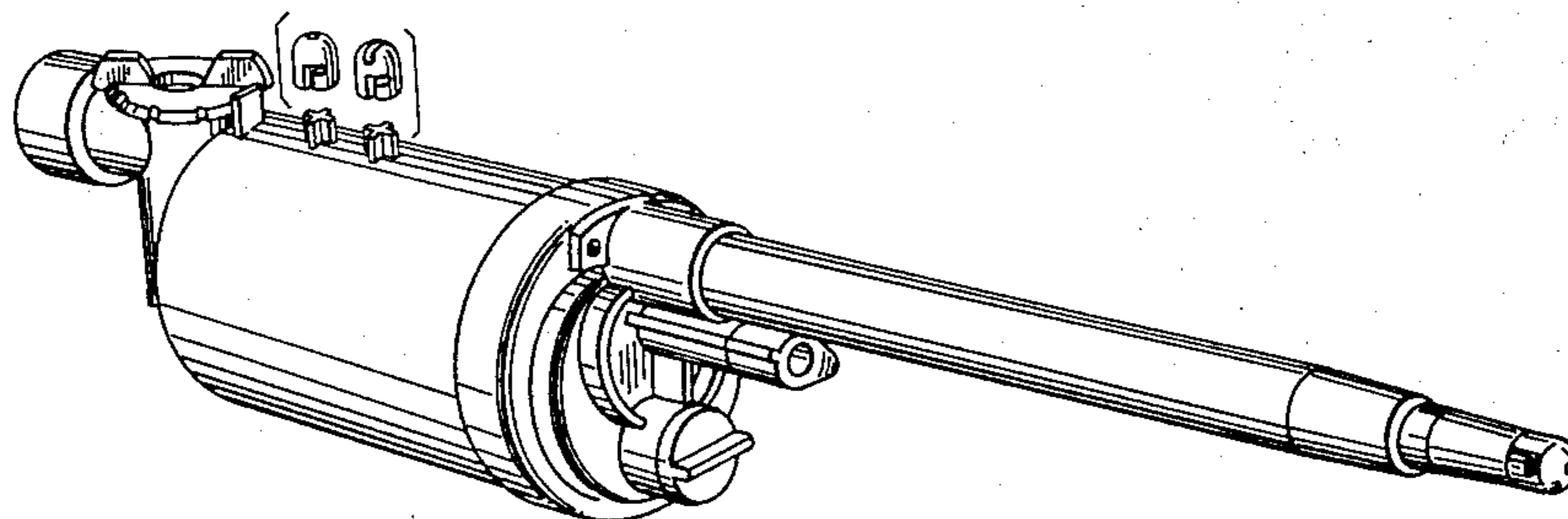
Primary Examiner—Wallace R. Burke
Assistant Examiner—Ruth Takemoto
Attorney, Agent, or Firm—Fleit, Jacobson, Cohn & Price

[57] **CLAIM**

The ornamental design for pressure spray washer or the like, as shown and described.

DESCRIPTION

FIG. 1 is an exploded perspective view of a pressure spray washer or the like showing our new design; FIG. 2 is a left front perspective view thereof; FIG. 3 is a right front perspective view thereof; FIG. 4 is a left rear perspective view thereof; FIG. 5 is a right rear perspective view thereof; FIG. 6 is a right side perspective view thereof; FIG. 7 is a right side perspective view thereof, with the wand in an open condition; FIG. 8 is a top plan view thereof; FIG. 9 is a bottom plan view thereof; and, FIG. 10 is a bottom perspective view thereof, with the wand in an open condition.



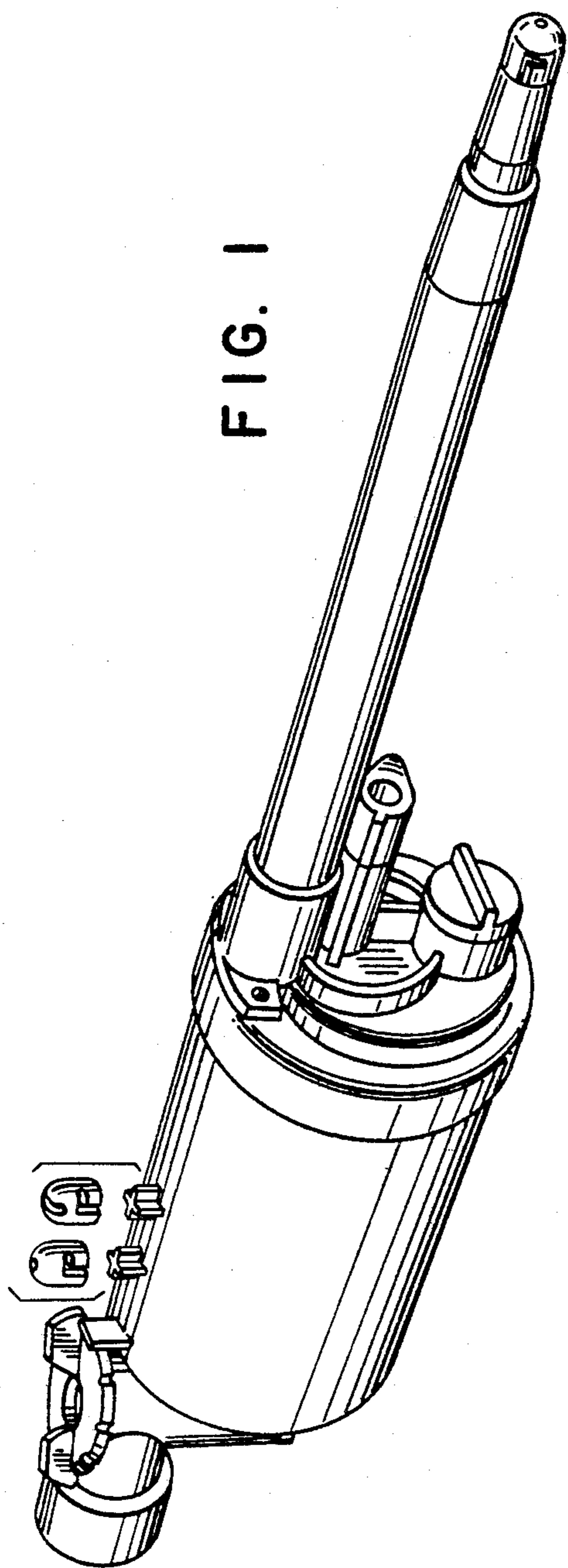


FIG. 1

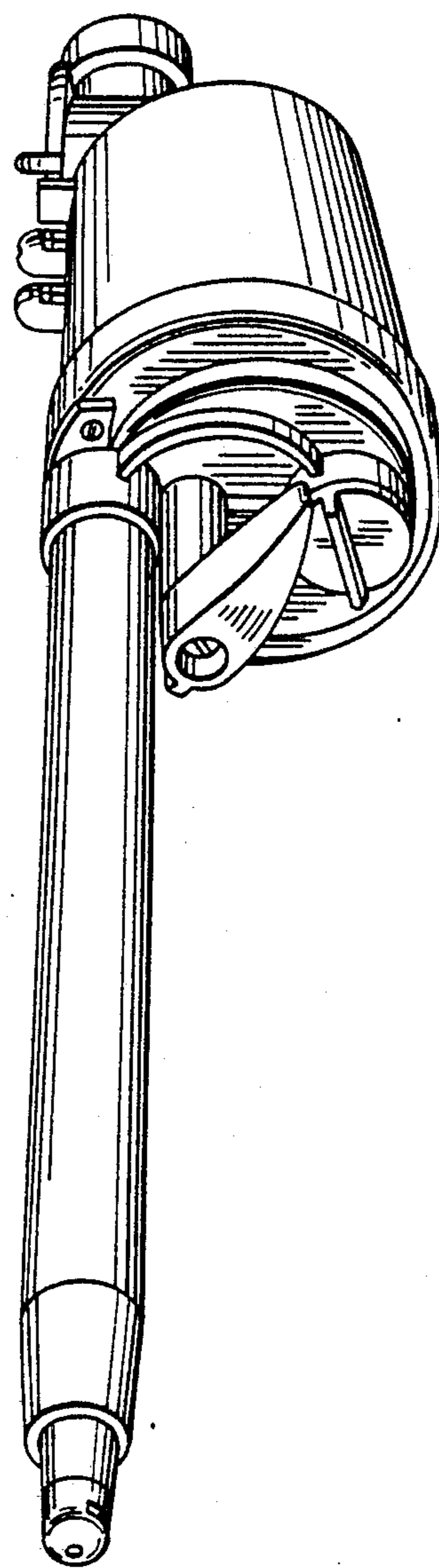


FIG. 2

FIG. 3

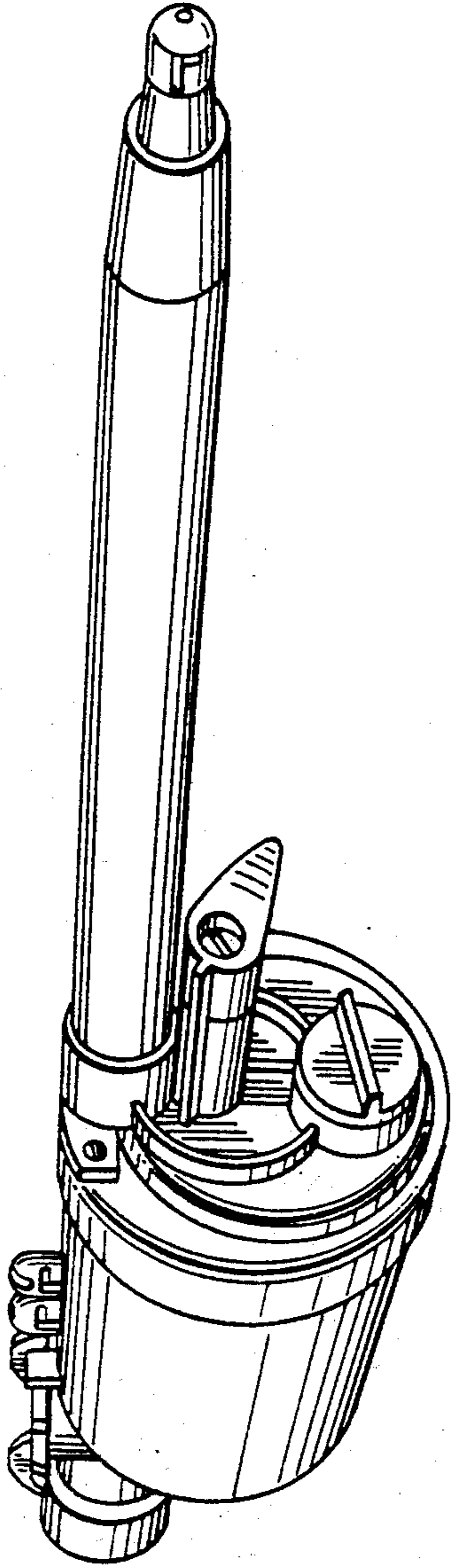


FIG. 5

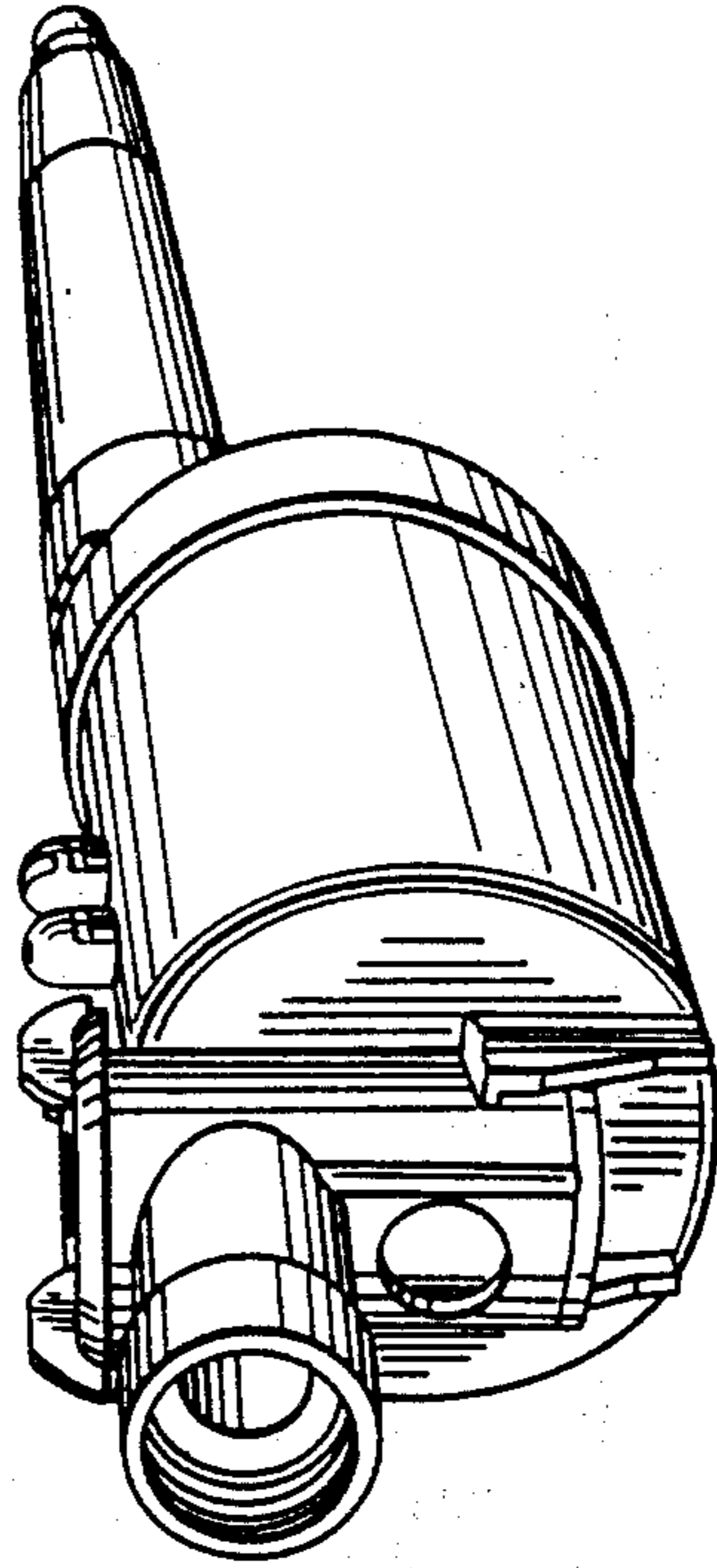
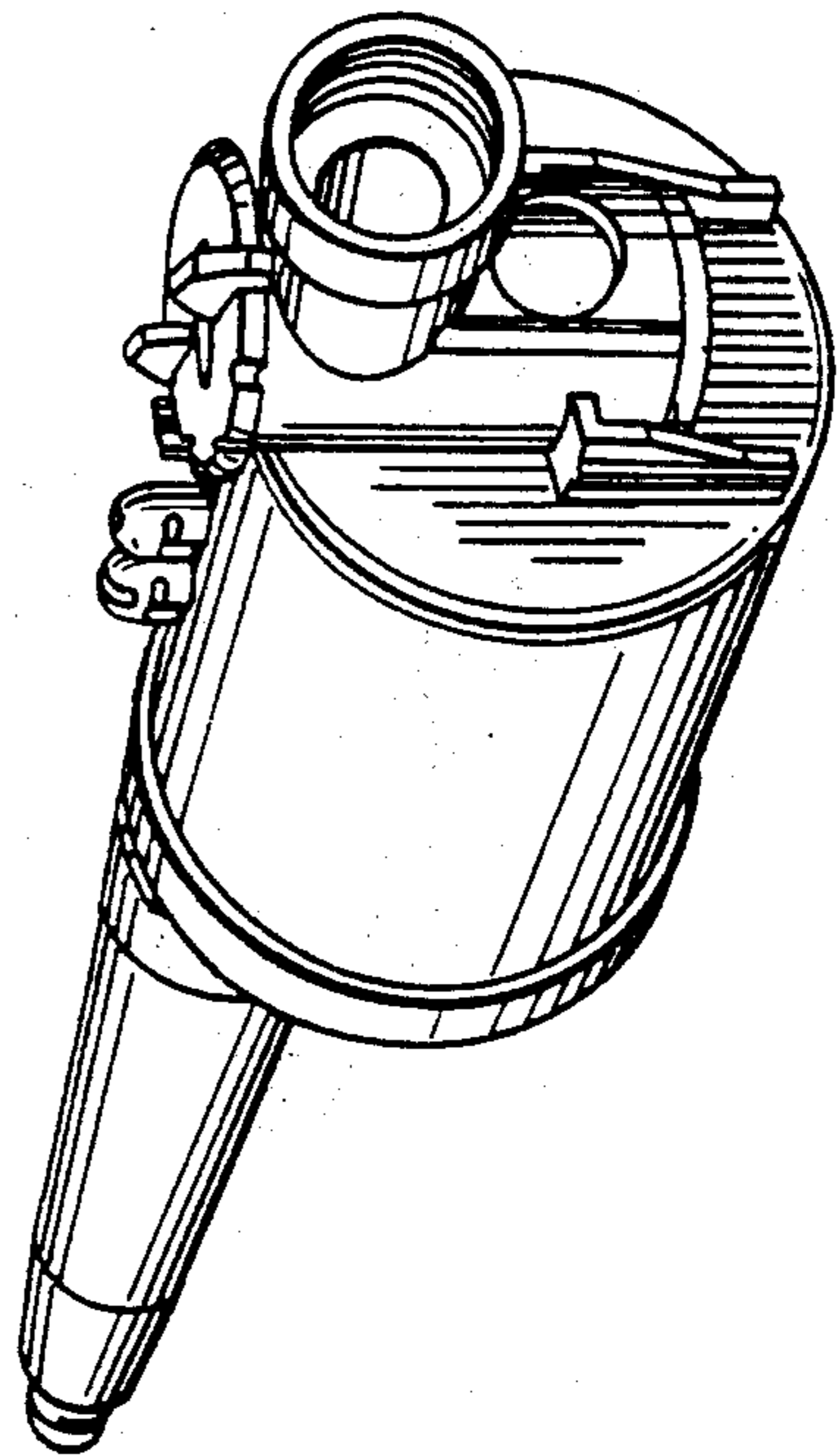


FIG. 4



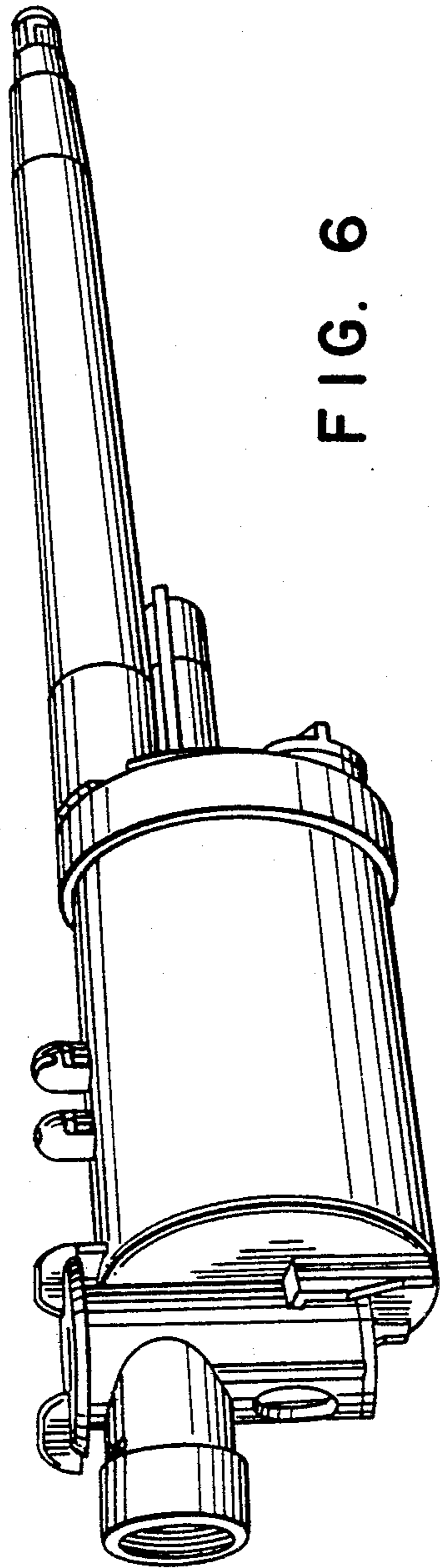


FIG. 6

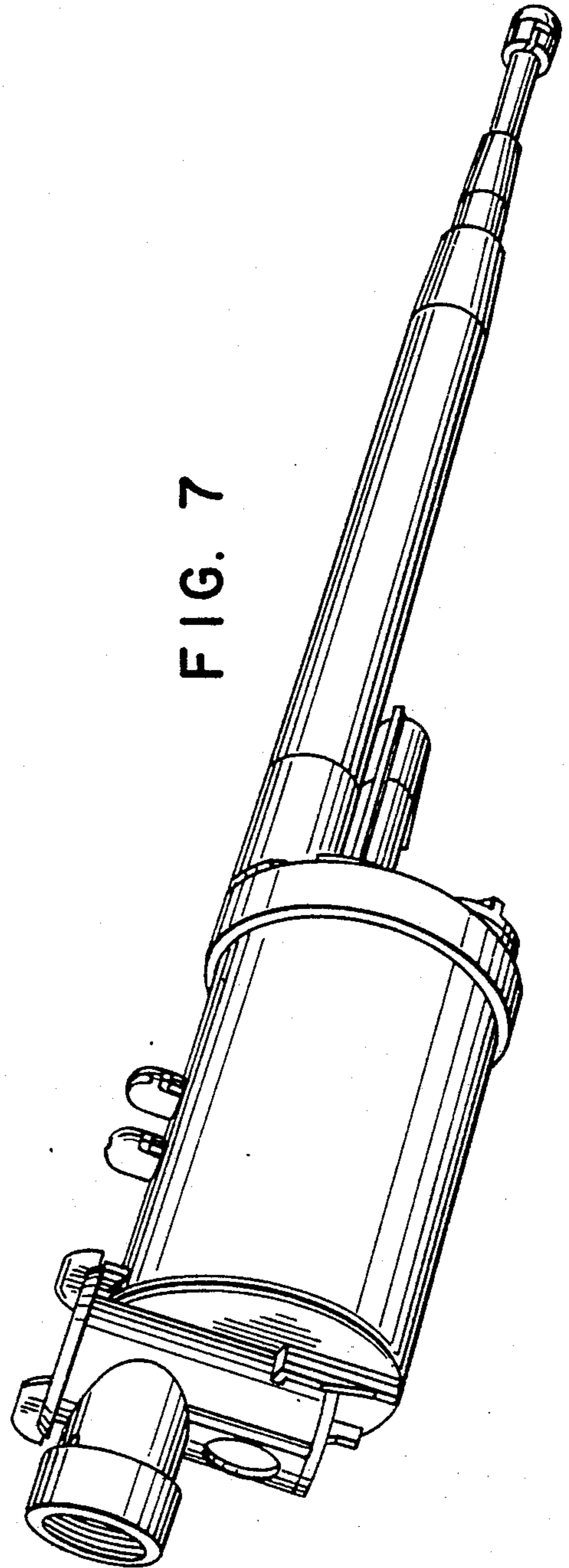


FIG. 7

