

[54] COMBINED PIN AND GUIDE FOR POSITIONING AN ARTIFICIAL TOOTH

4,172,867 10/1979 Devault 264/16
4,238,189 12/1980 Tirino 264/16 X
4,371,340 2/1983 Imaizumi 433/74

[76] Inventors: Mack L. Roden, 3705 Midway Dr.;
Steven D. Adams, 3980 Midway Dr.,
both of Baker, Oreg. 97814

Primary Examiner—Wallace R. Burke
Assistant Examiner—Brian N. Vinson
Attorney, Agent, or Firm—Thomas W. Secrest

[**] Term: 14 Years

[57] CLAIM

[21] Appl. No.: 745,482

The ornamental design for a combined pin and guide for positioning an artificial tooth, as shown and described.

[22] Filed: Jun. 17, 1985

[52] U.S. Cl. D24/16

DESCRIPTION

[58] Field of Search D24/4-5,
D24/10-16; 433/36, 60, 74, 213; 264/16-17,
69-71, 154, 222, 225, 261, 333; 411/439, 455,
489

FIG. 1 is a front elevational view of a combined pin and guide for positioning an artificial tooth showing my new design;

FIG. 2 is a left side elevational view thereof, the right side being a mirror image;

FIG. 3 is a rear elevational view thereof;

FIG. 4 is a top plan view thereof;

FIG. 5 is a bottom plan view thereof;

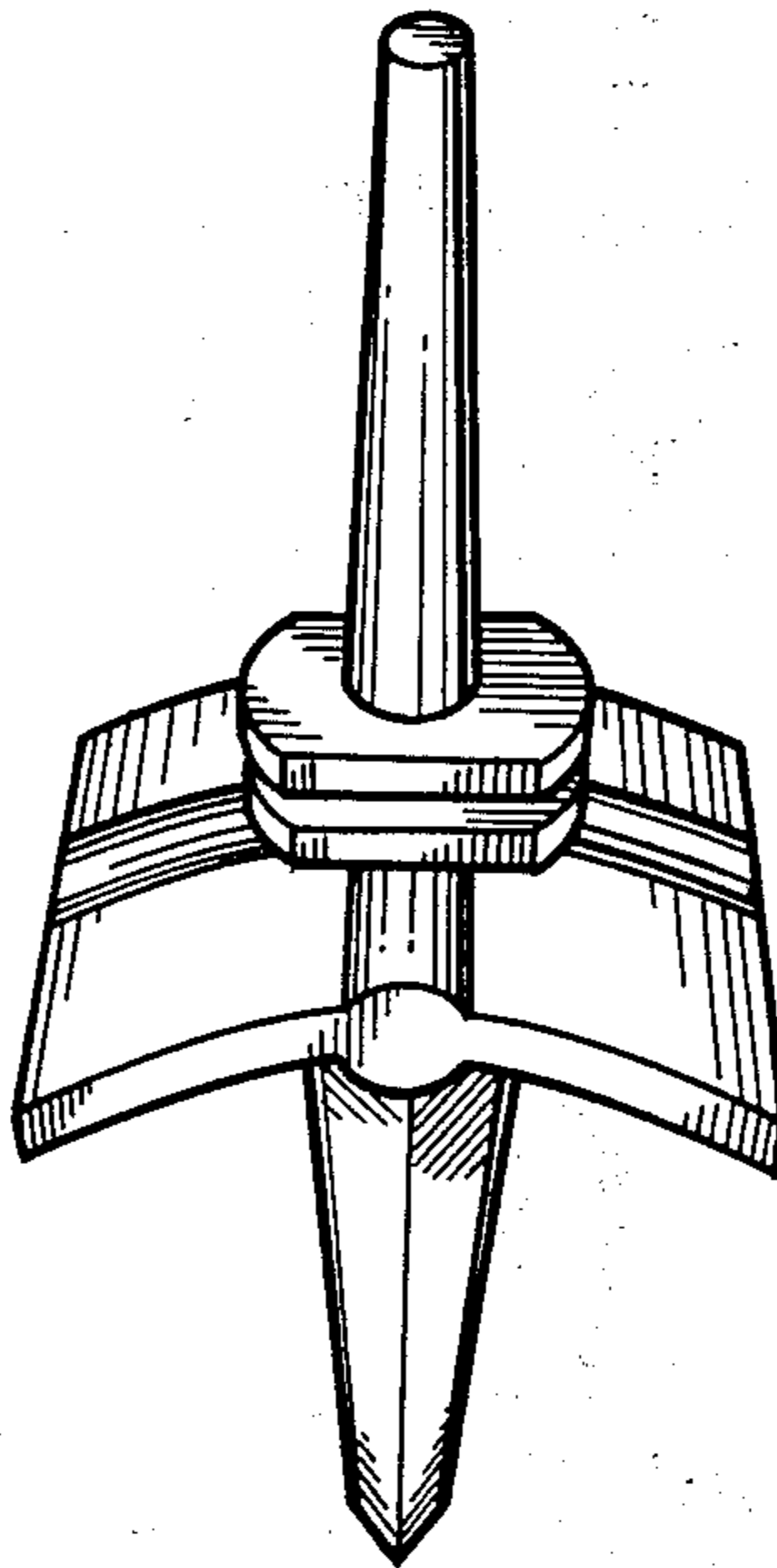
FIG. 6 is a top perspective view thereof; and,

FIG. 7 is a bottom perspective view thereof.

[56] References Cited

U.S. PATENT DOCUMENTS

D. 273,984 5/1984 Vlock D24/10
2,655,724 10/1953 Brooks 433/221
3,557,454 1/1971 Whitehill et al. 433/220



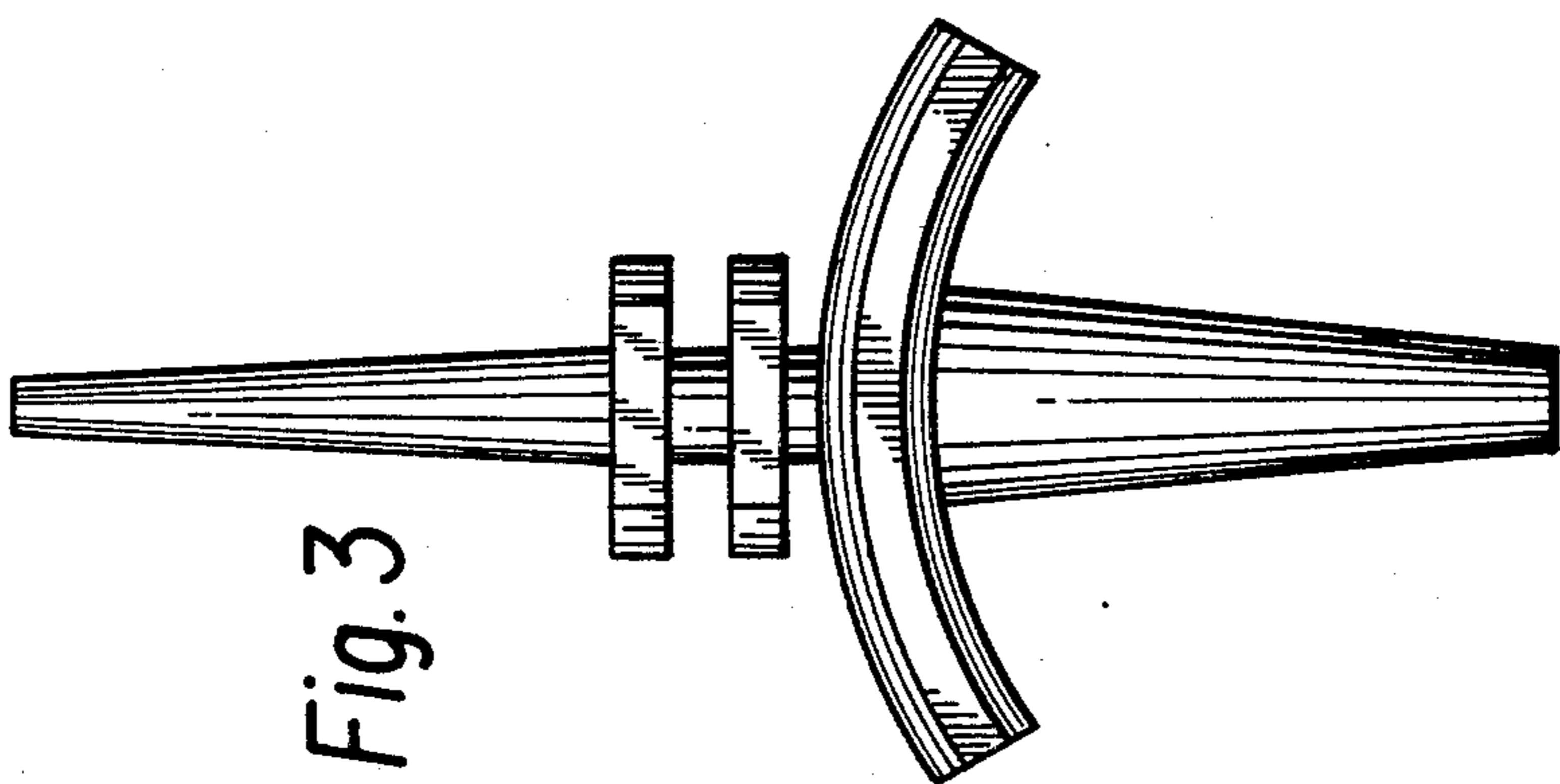


Fig. 3

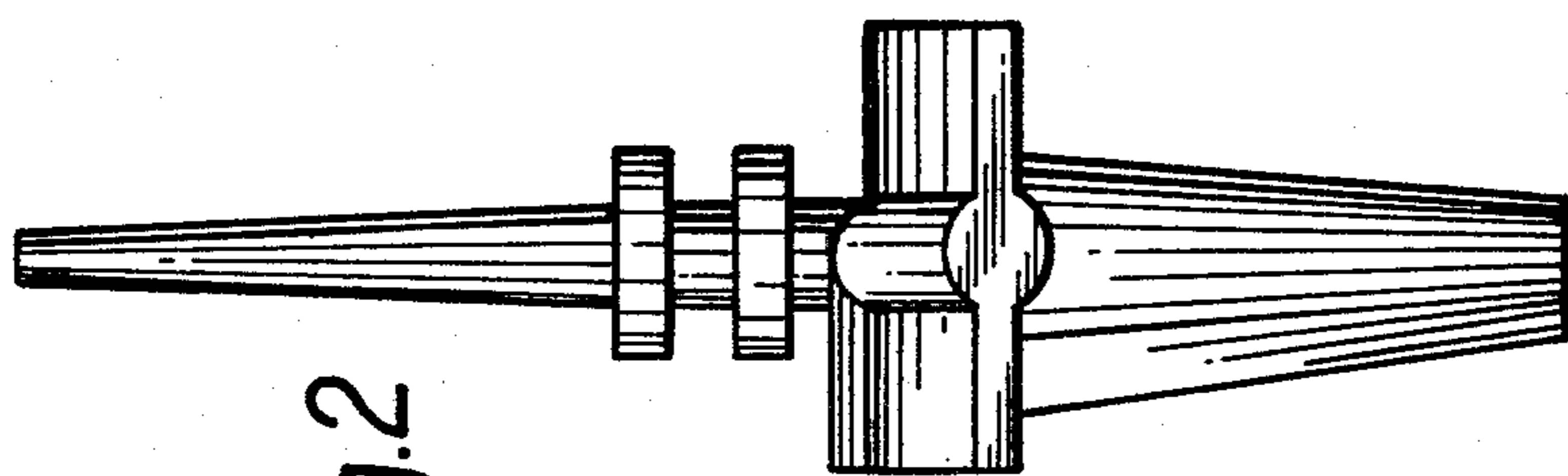


Fig. 2

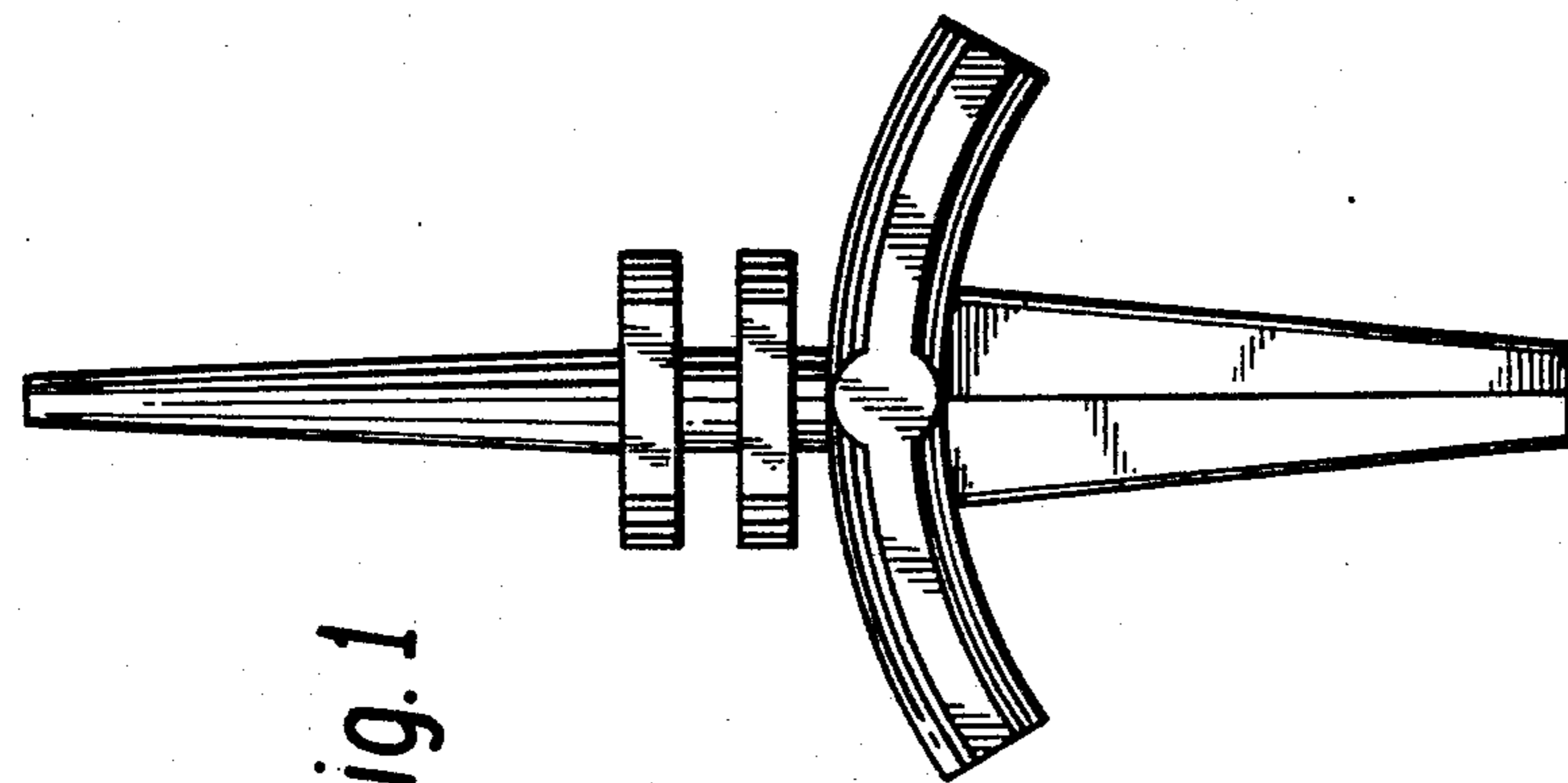


Fig. 1

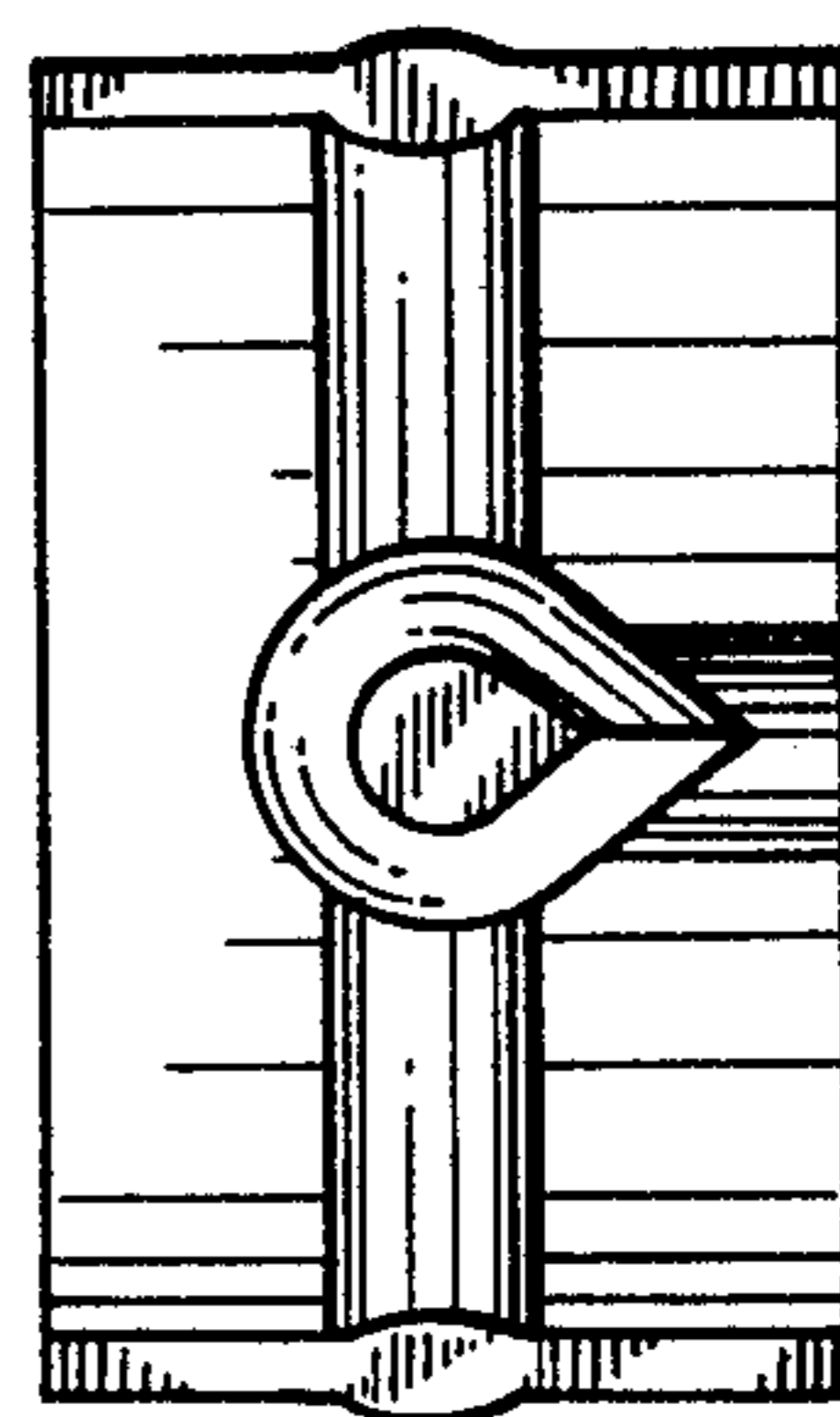


Fig. 5

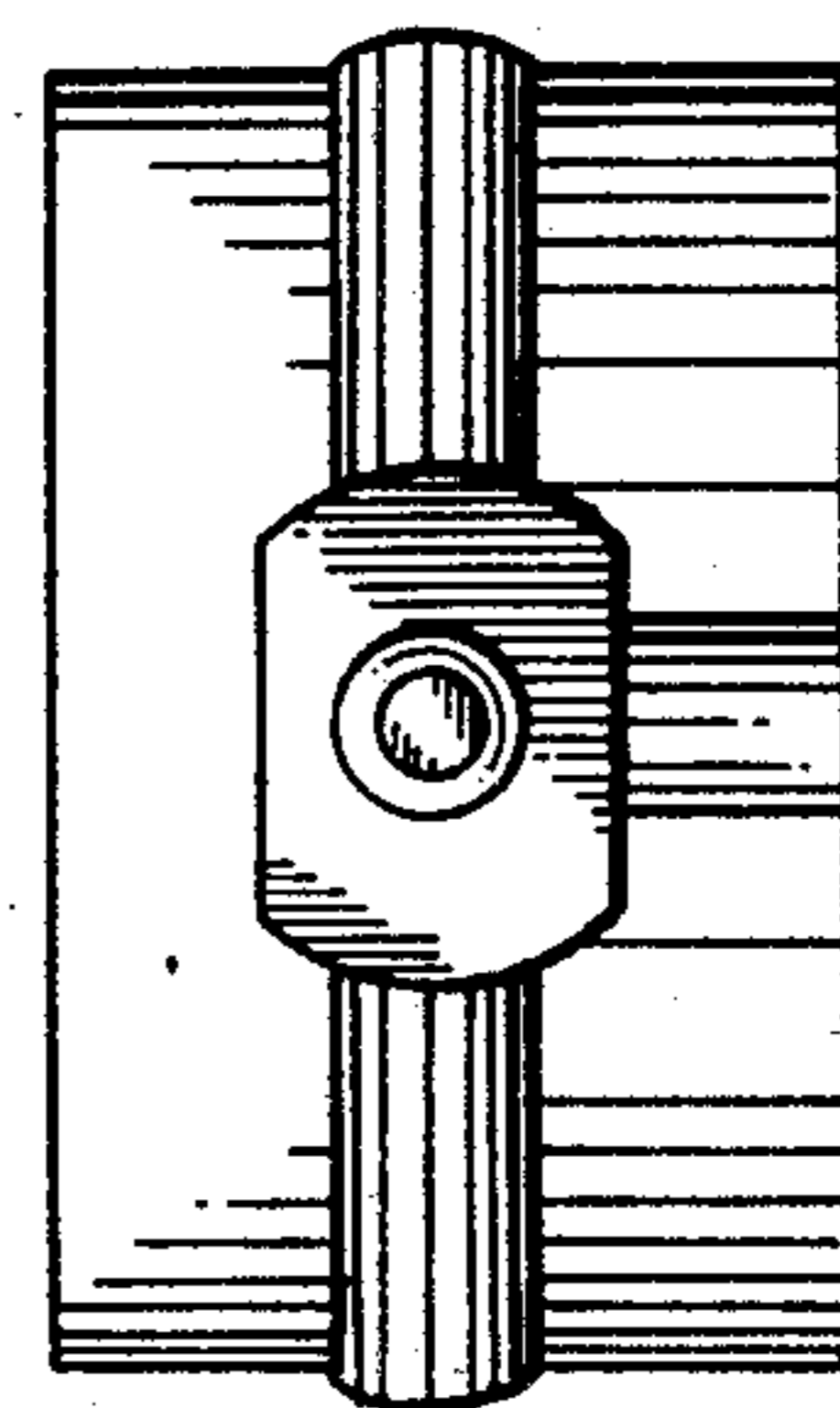


Fig. 4

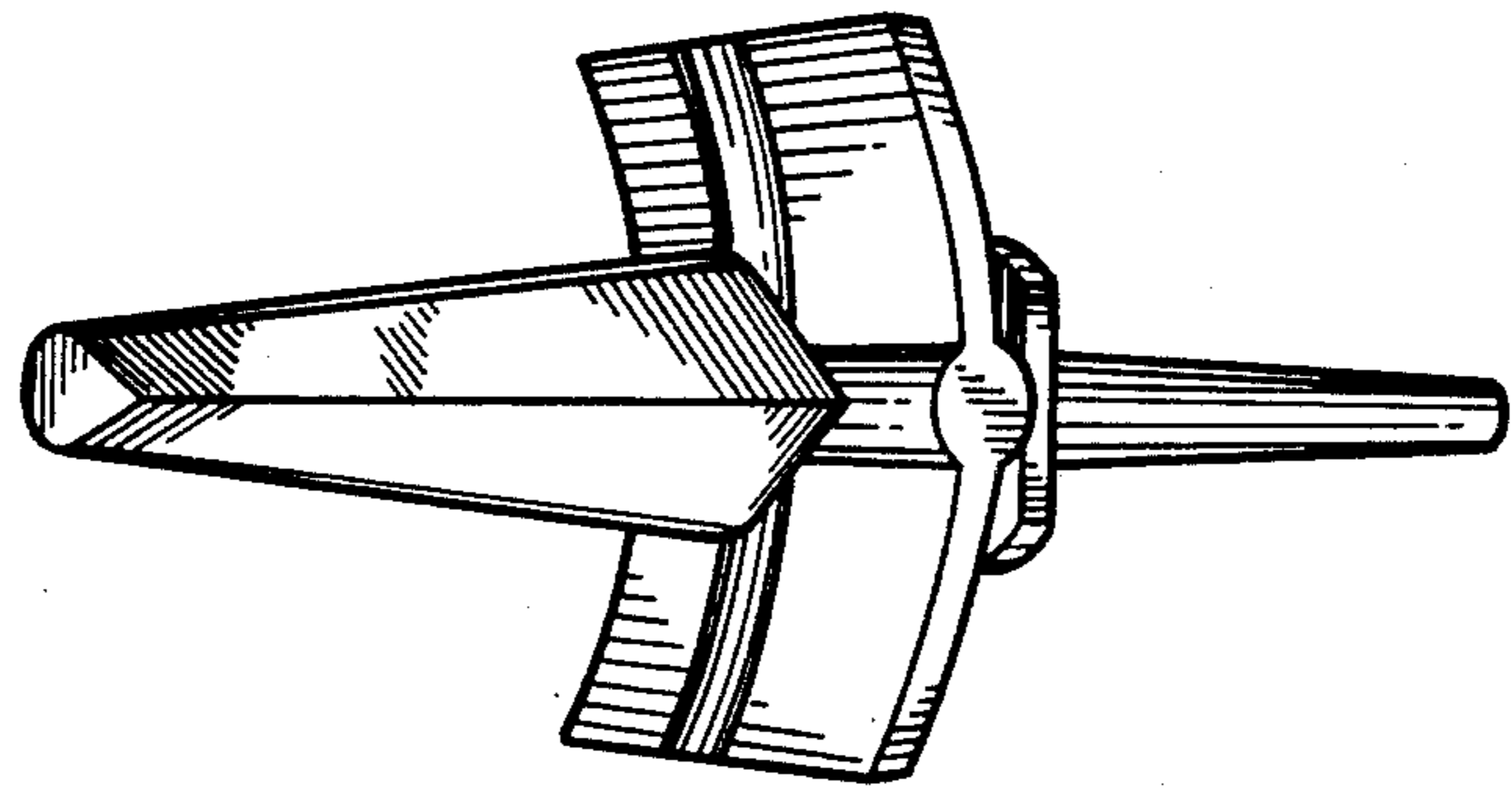


Fig. 7

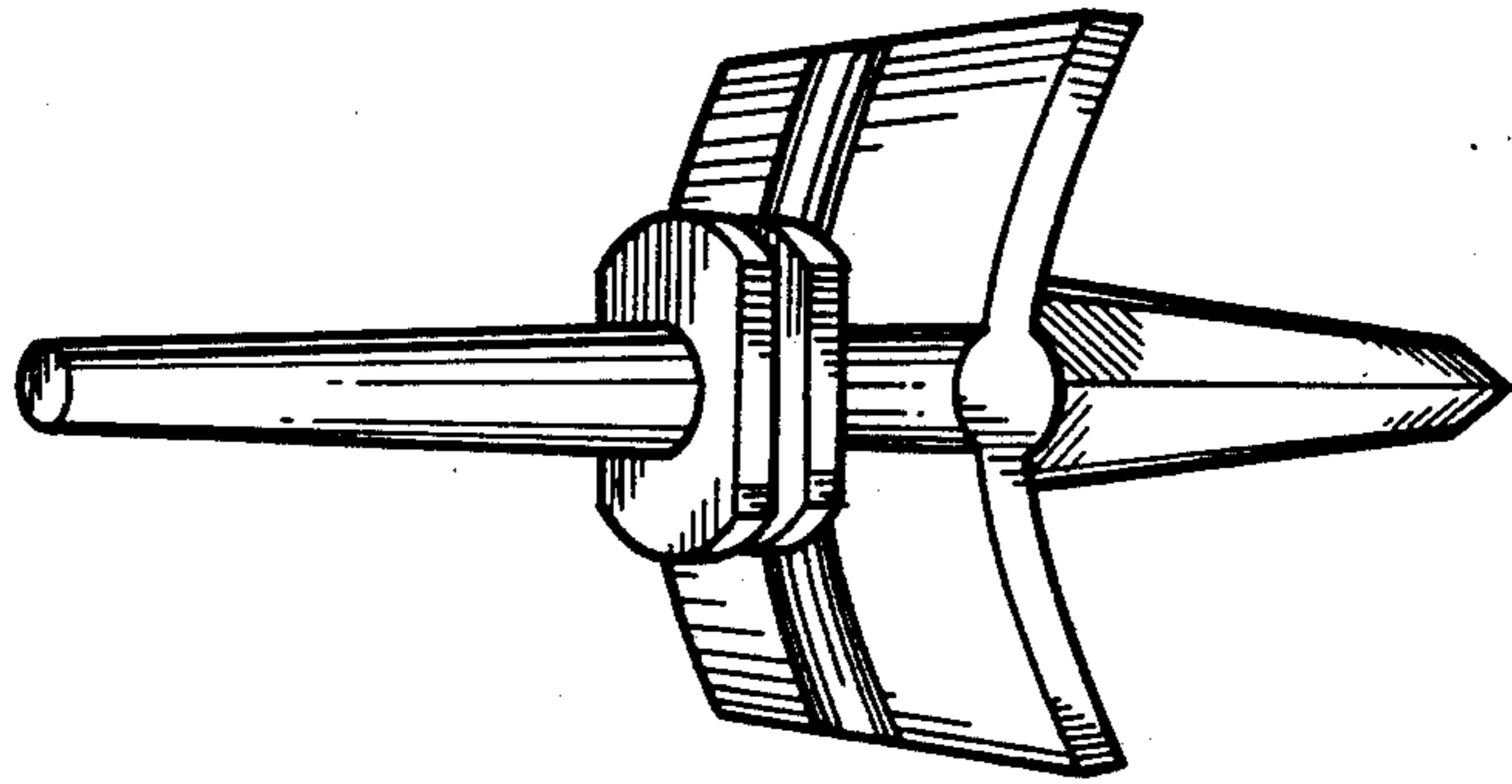


Fig. 6