

[54] COMBINED BALL COCK AND FLOAT

[75] Inventor: R. Frank Nestich, Glenmont, Ohio

[73] Assignee: Clevepak Corporation, Purchase, N.Y.

[**] Term: 14 Years

[21] Appl. No.: 735,585

[22] Filed: May 20, 1985

[52] U.S. Cl. D23/19

[58] Field of Search D23/19-22, D23/33, 40; 137/217, 218, 414, 426, 430, 432, 433, 435, 436, 437, 442, 444

[56] References Cited

U.S. PATENT DOCUMENTS

D. 195,807	7/1963	Goldtrap	D23/40
D. 206,850	1/1967	Schoepe	D23/40
D. 214,050	5/1969	Hudson	D23/40
D. 245,172	7/1977	Schoepe	D23/40
2,706,998	4/1955	Bletcher et al.	137/436
2,799,290	7/1957	Svirsky	137/436 X
3,194,258	7/1965	Grant	137/414
3,332,433	7/1967	Edmondson	137/215
3,516,094	6/1970	Reagan	137/436 X

3,797,518	3/1974	Holm et al.	137/442 X
3,895,645	7/1975	Johnson	137/414 X
4,180,096	12/1979	Johnson	137/414 X
4,182,364	1/1980	Gilbert et al.	137/437 X
4,340,082	7/1982	Straus	137/426
4,414,998	11/1983	Rudler et al.	137/432
4,431,024	2/1984	Gallagher	137/426
4,479,631	10/1984	Nestich et al.	251/120 X
4,573,495	3/1986	Rothe et al.	137/414
4,600,031	7/1986	Nestich	137/218

Primary Examiner—James R. Largen
Attorney, Agent, or Firm—Renner, Kenner, Greive, Bobak & Taylor

[57] CLAIM

The ornamental design for a combined ball cock and float, as shown and described.

DESCRIPTION

FIG. 1 is a perspective view taken from the top, front and left side of a combined ball cock and float embodying my new design;
FIG. 2 is a left side elevational view thereof;
FIG. 3 is a right side elevational view thereof;
FIG. 4 is a rear elevational view thereof;
FIG. 5 is a top plan view thereof; and,
FIG. 6 is a bottom plan view thereof.

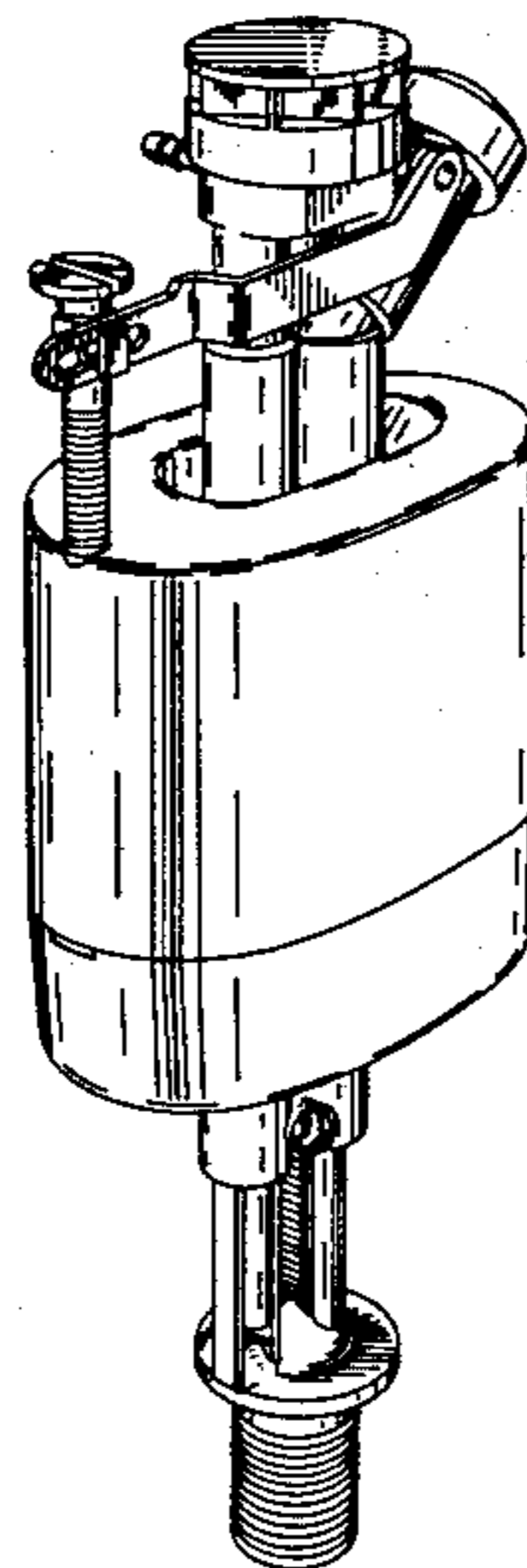


FIG. 1

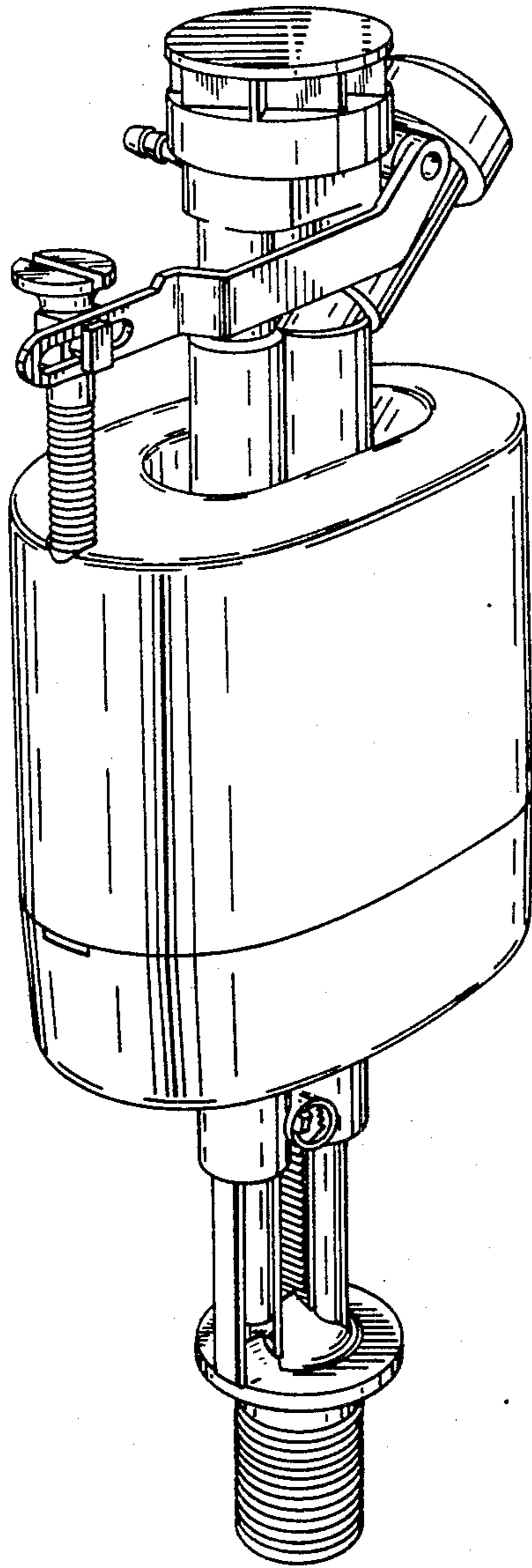


FIG. 2

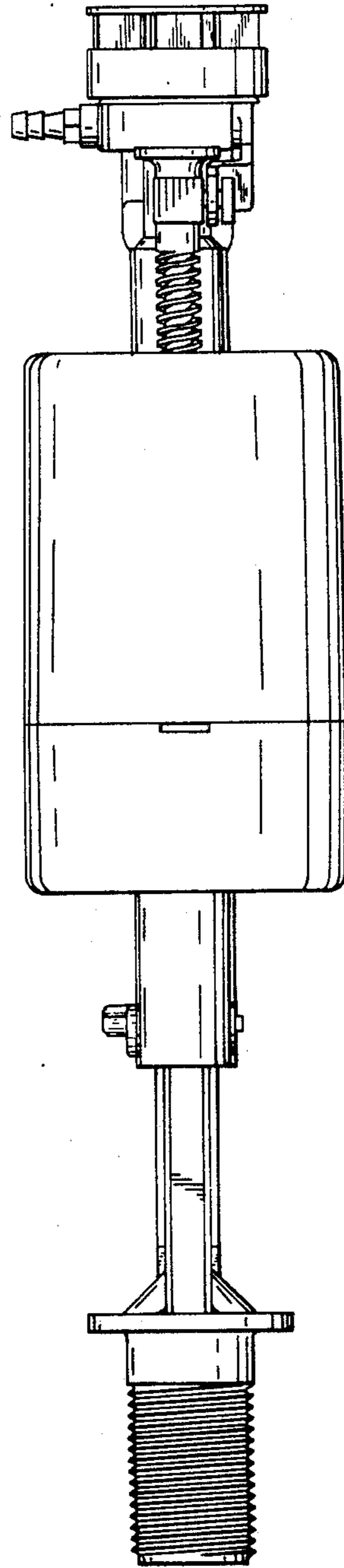


FIG. 3

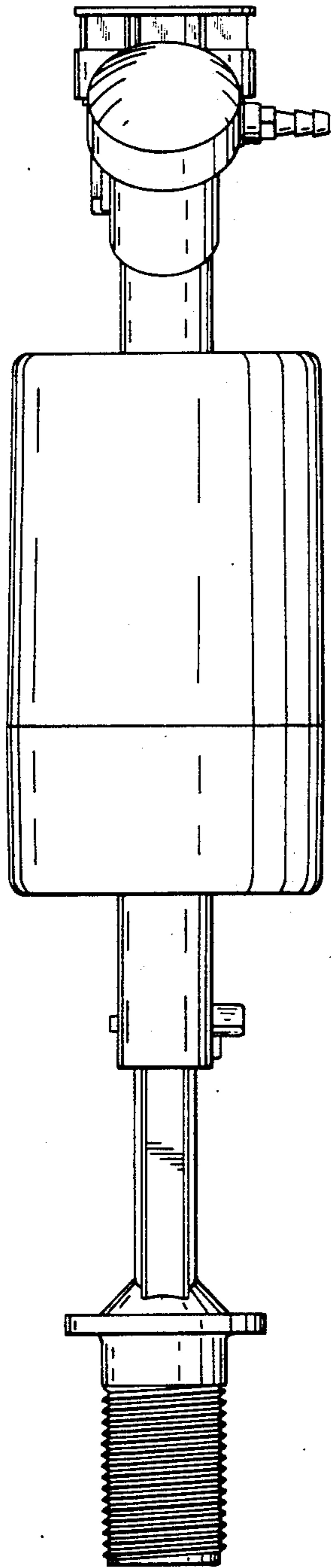


FIG. 4

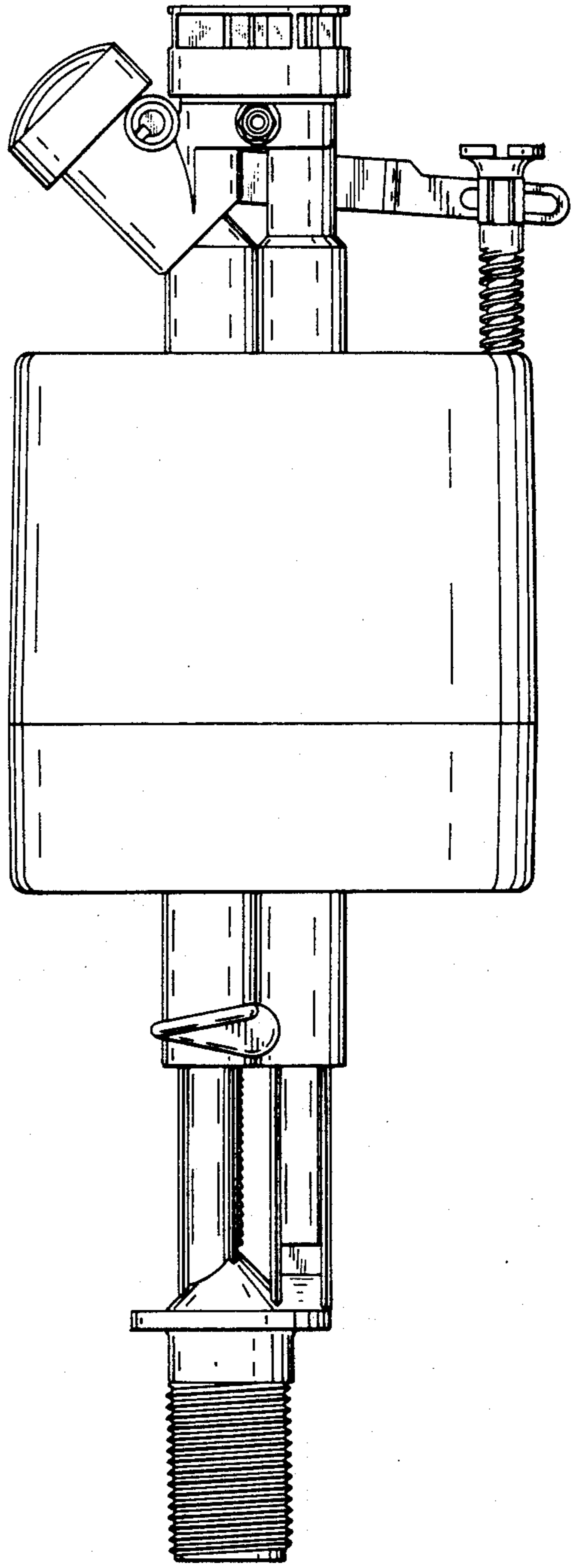


FIG. 5

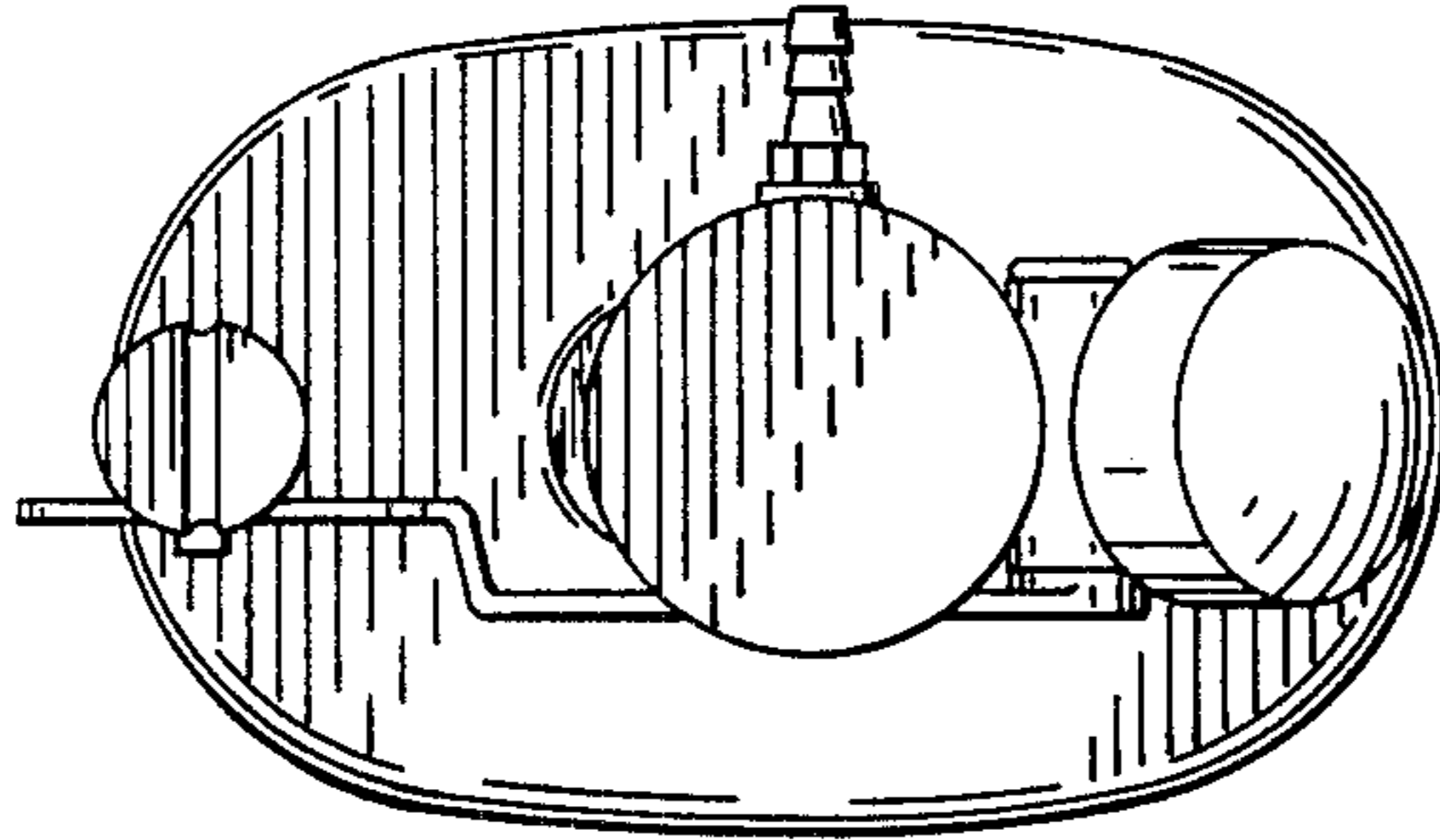


FIG. 6

