

[54] GATE VALVE

[75] Inventor: Eldon Hostetler, Middlebury, Ind.

[73] Assignee: Ziggity Systems, Inc., Middlebury, Ind.

[**] Term: 14 Years

[21] Appl. No.: 694,228

[22] Filed: Jan. 24, 1985

[52] U.S. Cl. D23/19

[58] Field of Search D23/19-22;
251/100, 101, 319

2,719,509	10/1955	Kitson .	
2,749,882	6/1956	Butker .	
2,763,459	9/1956	Anderson	251/100 X
2,771,058	11/1956	Howard .	
2,848,013	8/1958	Kofford .	
3,052,215	9/1962	Shold .	
3,145,729	8/1964	Cordis .	
3,306,262	2/1967	Hart .	
3,316,929	5/1967	Milette	251/77 X
3,350,056	10/1967	Blumenkranz	251/100
3,443,788	5/1969	Grove	251/112
3,940,106	2/1976	Hart et al.	251/100
3,941,349	3/1976	Pierson	251/100
4,221,188	9/1980	Hostetler .	

Primary Examiner—James R. Largen

[56] References Cited

U.S. PATENT DOCUMENTS

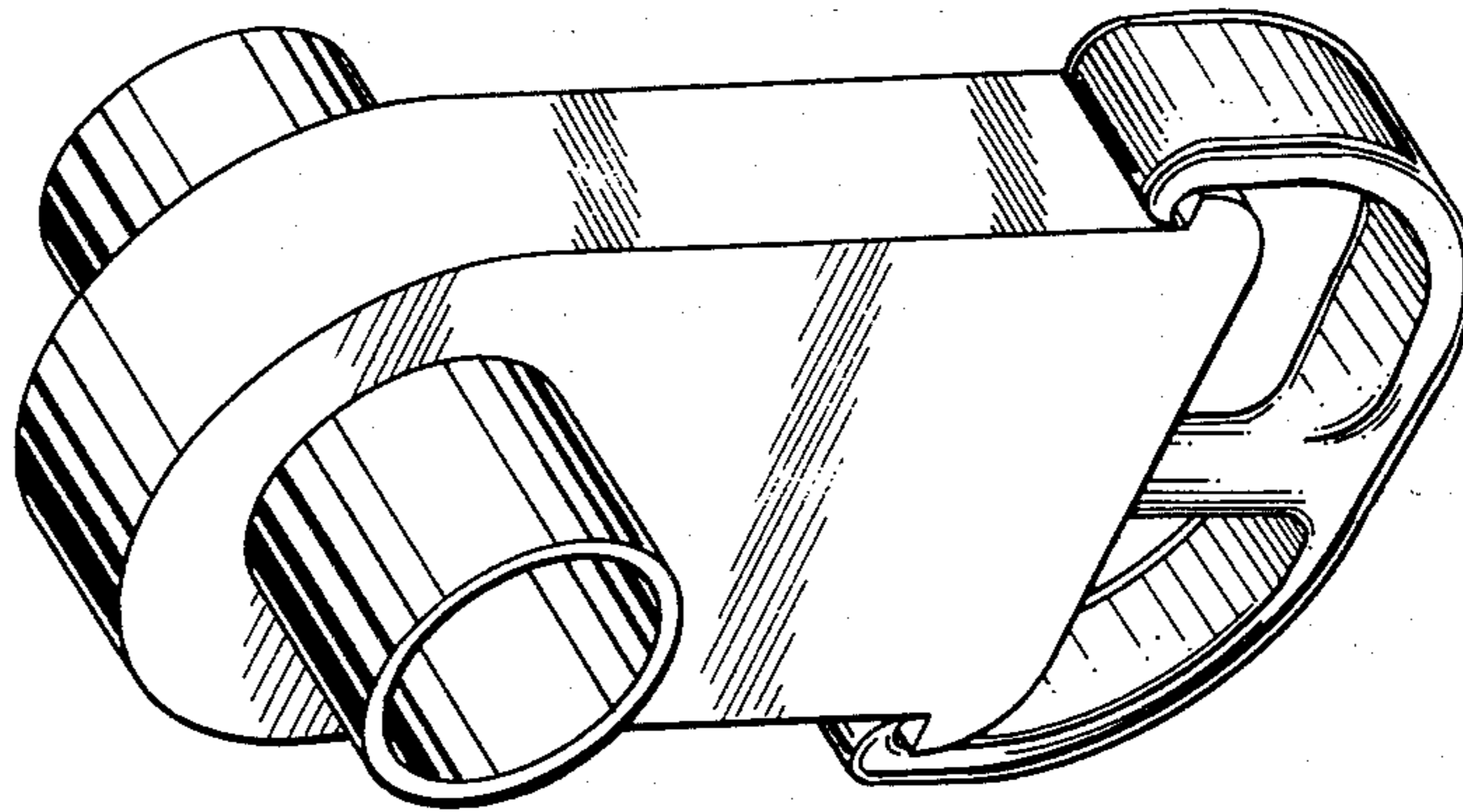
D. 150,917	3/1946	Berg .	
D. 177,053	3/1956	Kofford .	
D. 191,933	12/1961	Grove	D23/19
D. 192,896	5/1962	Milette	D23/19
D. 234,145	1/1975	Peppler et al. .	
D. 251,603	4/1979	de Feudis	D23/19
1,086,785	2/1914	Parkins .	
1,103,413	7/1914	Hasty .	
1,259,253	3/1918	McCullough .	
1,928,103	2/1932	Hill .	
2,338,072	12/1943	Quinn .	
2,608,987	9/1952	Collman .	
2,700,370	1/1955	Goff .	

[57] CLAIM

The ornamental design for a gate valve, as shown and described.

DESCRIPTION

FIG. 1 is a perspective view taken from the bottom, front and left side of a gate valve showing my new design;
 FIG. 2 is a front elevational view thereof, showing the valve in an open position;
 FIG. 3 is a rear view of FIG. 1;
 FIG. 4 is a bottom plan view of FIG. 1;
 FIG. 5 is a top plan view of FIG. 1; and
 FIG. 6 is a right side elevational view of FIG. 1.



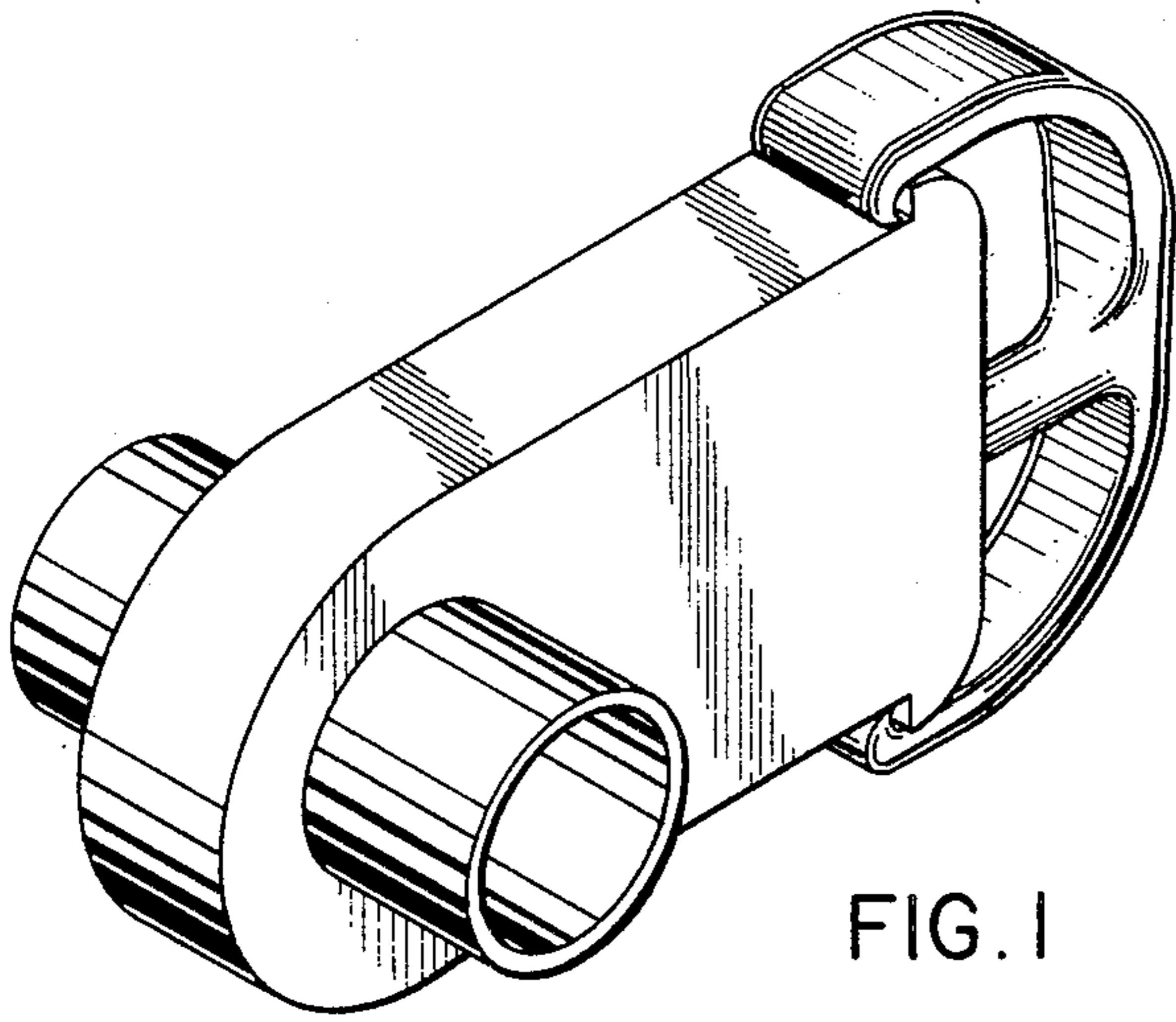


FIG. 1

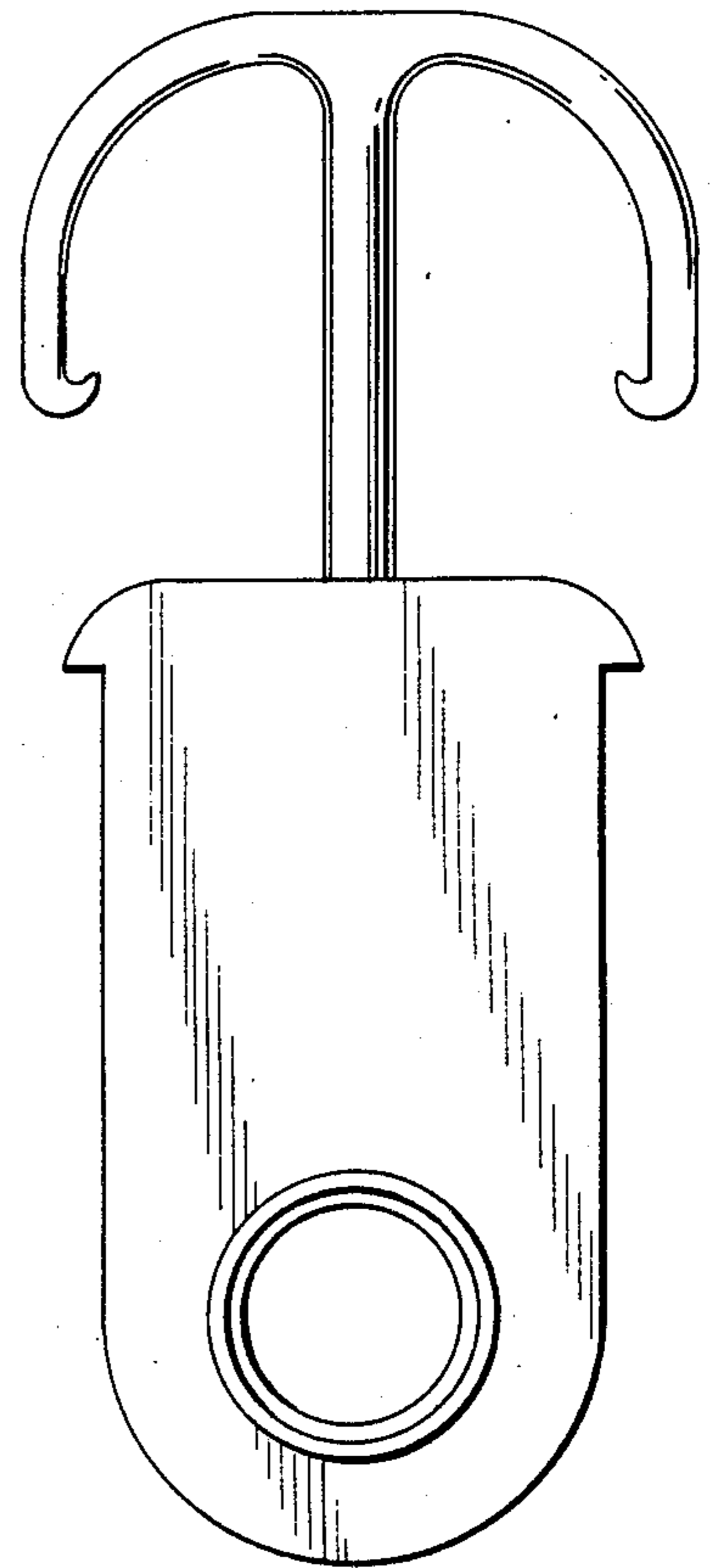


FIG. 2

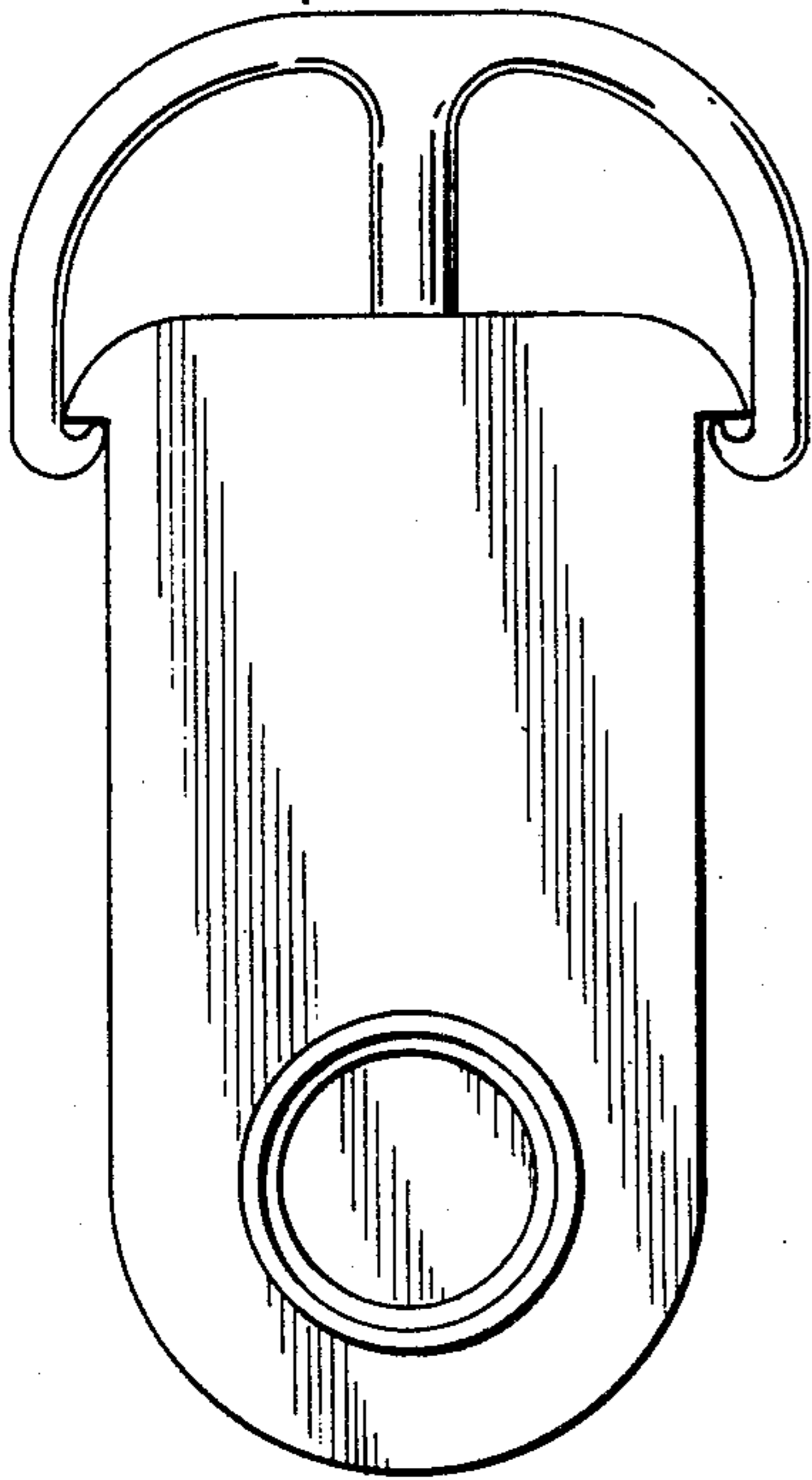


FIG. 3

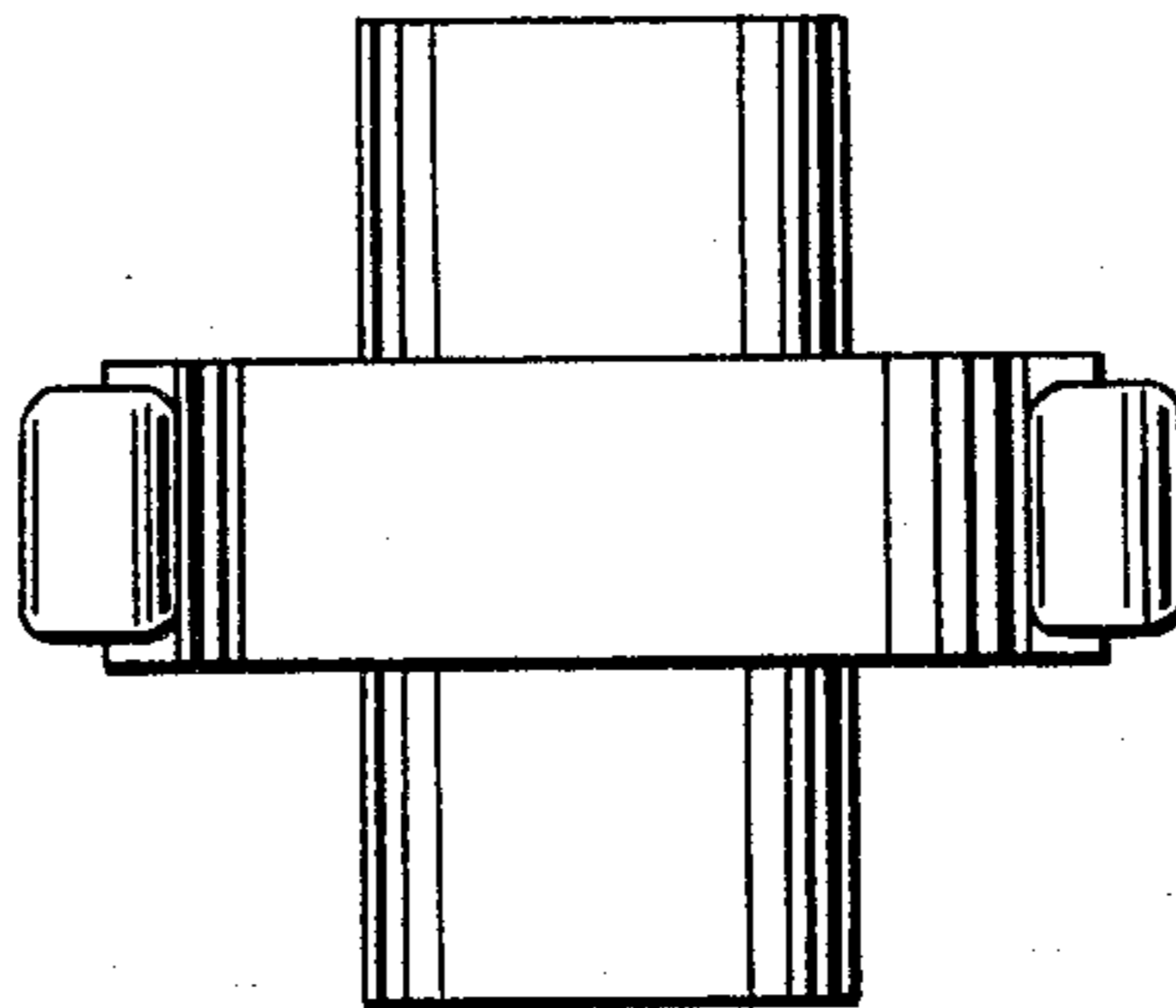


FIG. 4

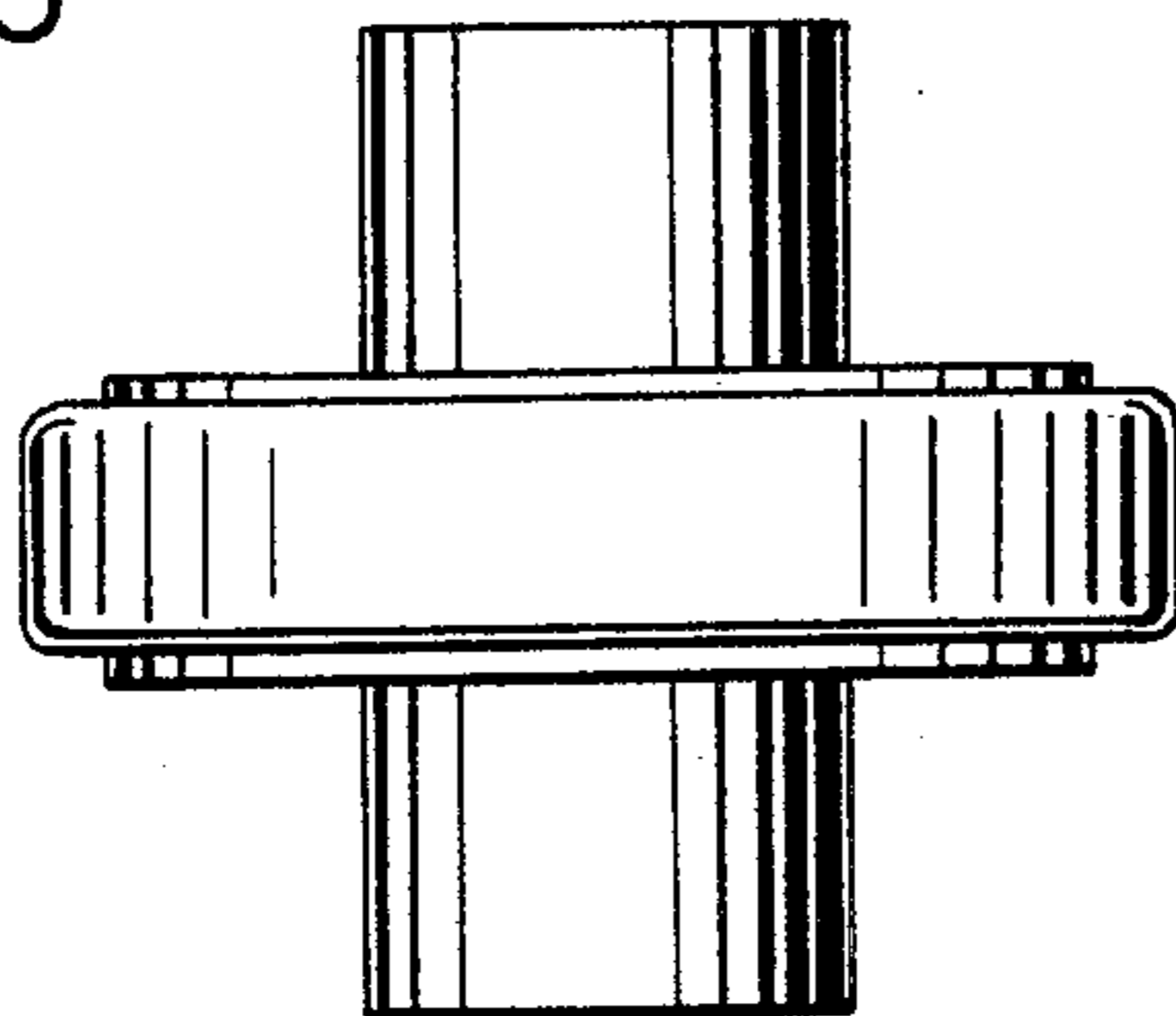


FIG. 5

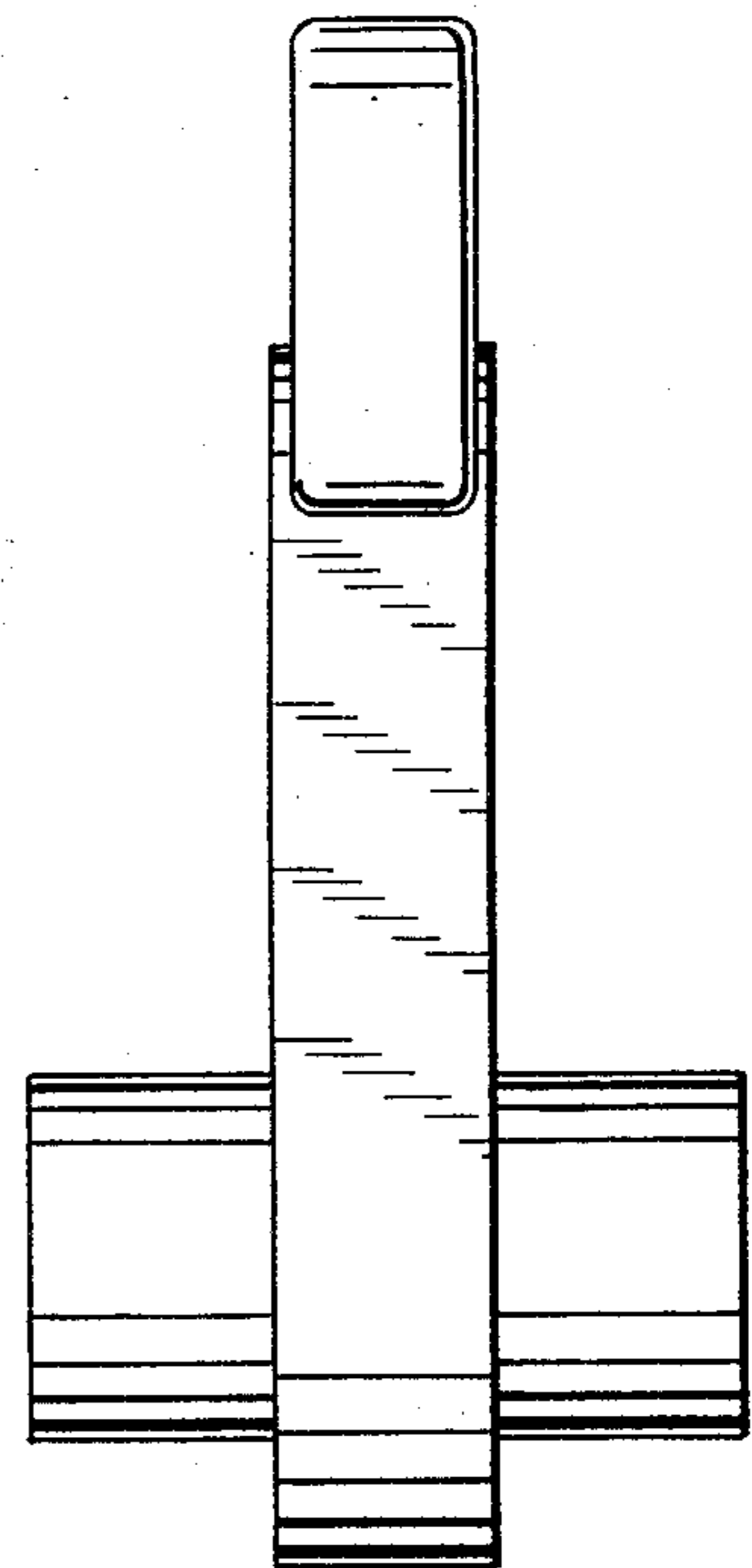


FIG. 6