

[54] SUPPORT STAND FOR SWIMMING POOL FILTRATION UNITS

[75] Inventor: George F. Arp, Fairport, N.Y.

[73] Assignee: Ampro-Diaclear, Inc., Bronx, N.Y.

[**] Term: 14 Years

[21] Appl. No.: 787,314

[22] Filed: Oct. 15, 1985

[52] U.S. Cl. D23/1; D8/380

[58] Field of Search D23/1, 3, 4, 149; D15/5; 210/153, 162-163, 169, 172, 190-191, 198.1, 198.3, 203, 220, 294-295, 322, 323.1-323.2, 331, 334-337, 340, 348, 409, 416.1-416.5, 459, 470, 473, 493.1-493.2, 493.5; D8/380

[56] References Cited

U.S. PATENT DOCUMENTS

- 1,079,593 11/1913 Donovan 210/163 X
- 4,130,488 12/1978 Speck et al. 210/416.1 X
- 4,629,557 12/1986 Tobias 210/416.2 X

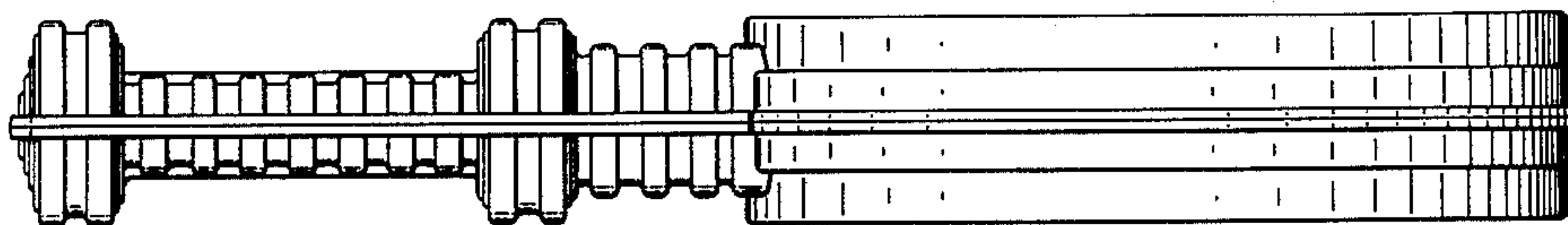
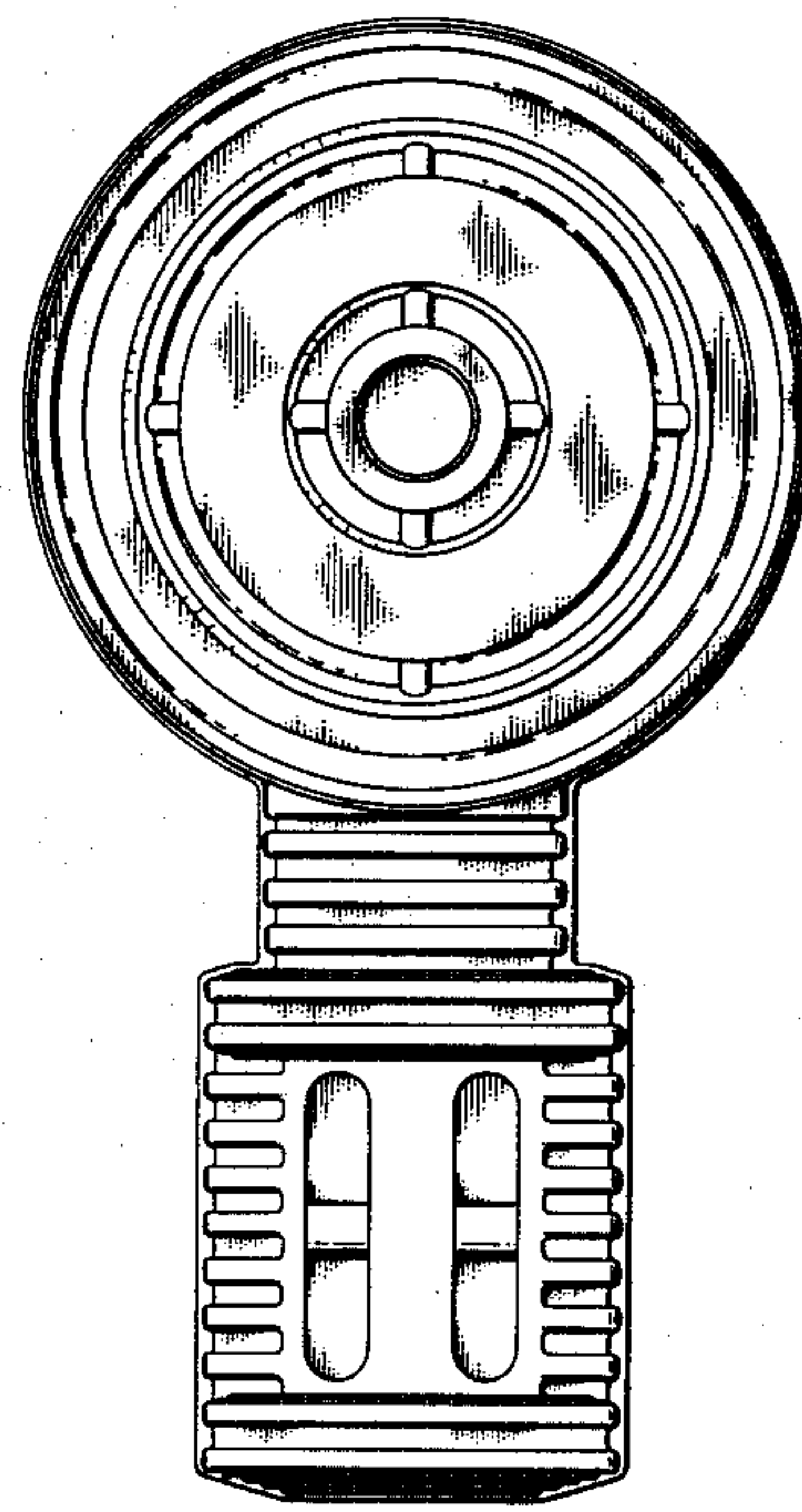
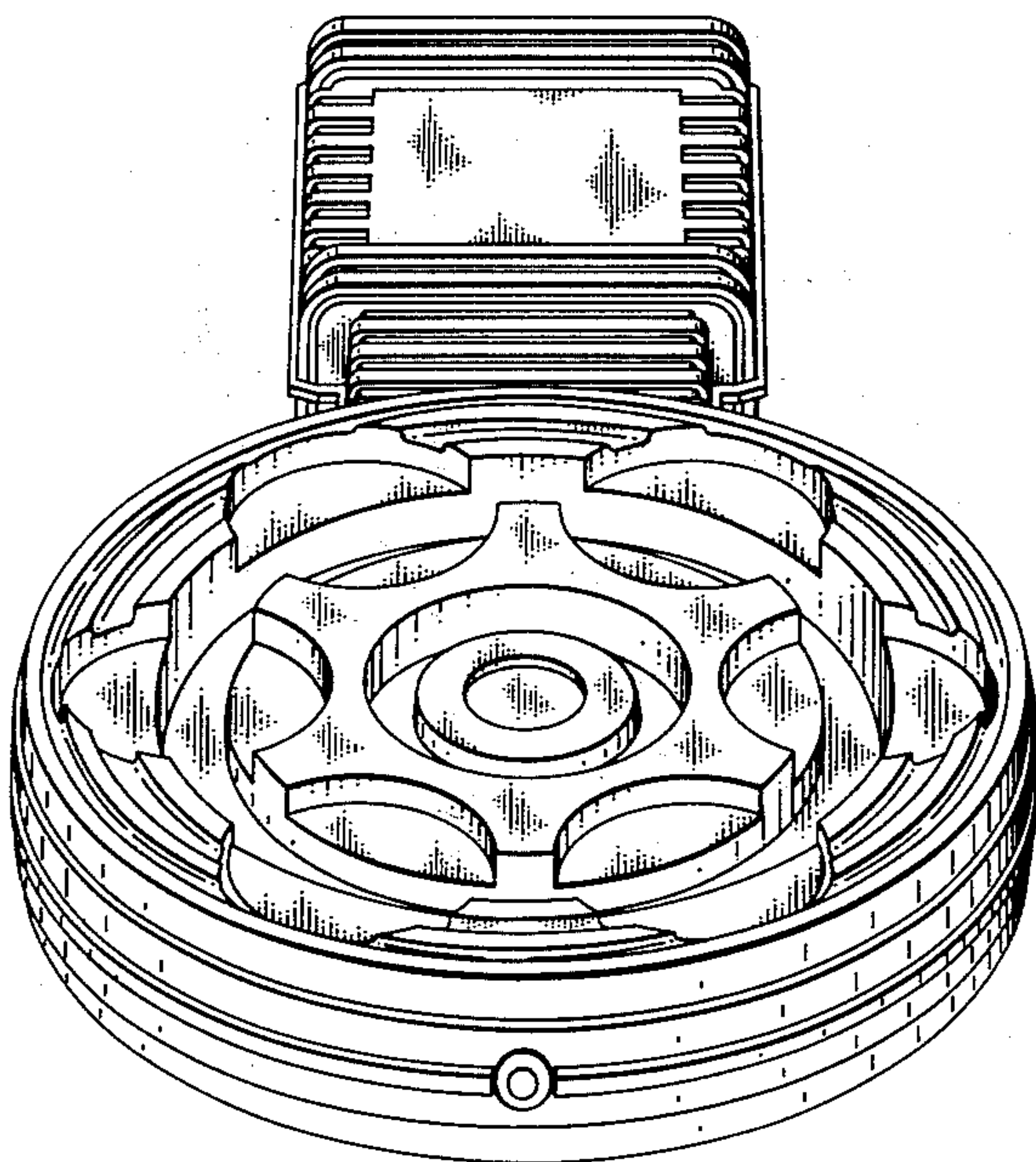
Primary Examiner—Wallace R. Burke
Assistant Examiner—Brian N. Vinson
Attorney, Agent, or Firm—Stonebraker, Shepard & Stephens

[57] CLAIM

The ornamental design for a support stand for swimming pool filtration units, substantially as shown and described.

DESCRIPTION

FIG. 1 is a perspective view of the front and one side of a support stand for swimming pool filtration units showing my new design;
FIG. 2 is a plan view of the same side as shown in FIG. 1;
FIG. 3 is a left side elevational view thereof, the right side being a mirror image;
FIG. 4 is a rear elevational view thereof;
FIG. 5 is a front elevational view thereof;
FIG. 6 is a plan view of the side opposite FIG. 1; and
FIG. 7 is a perspective view of the front and same side as shown in FIG. 6.



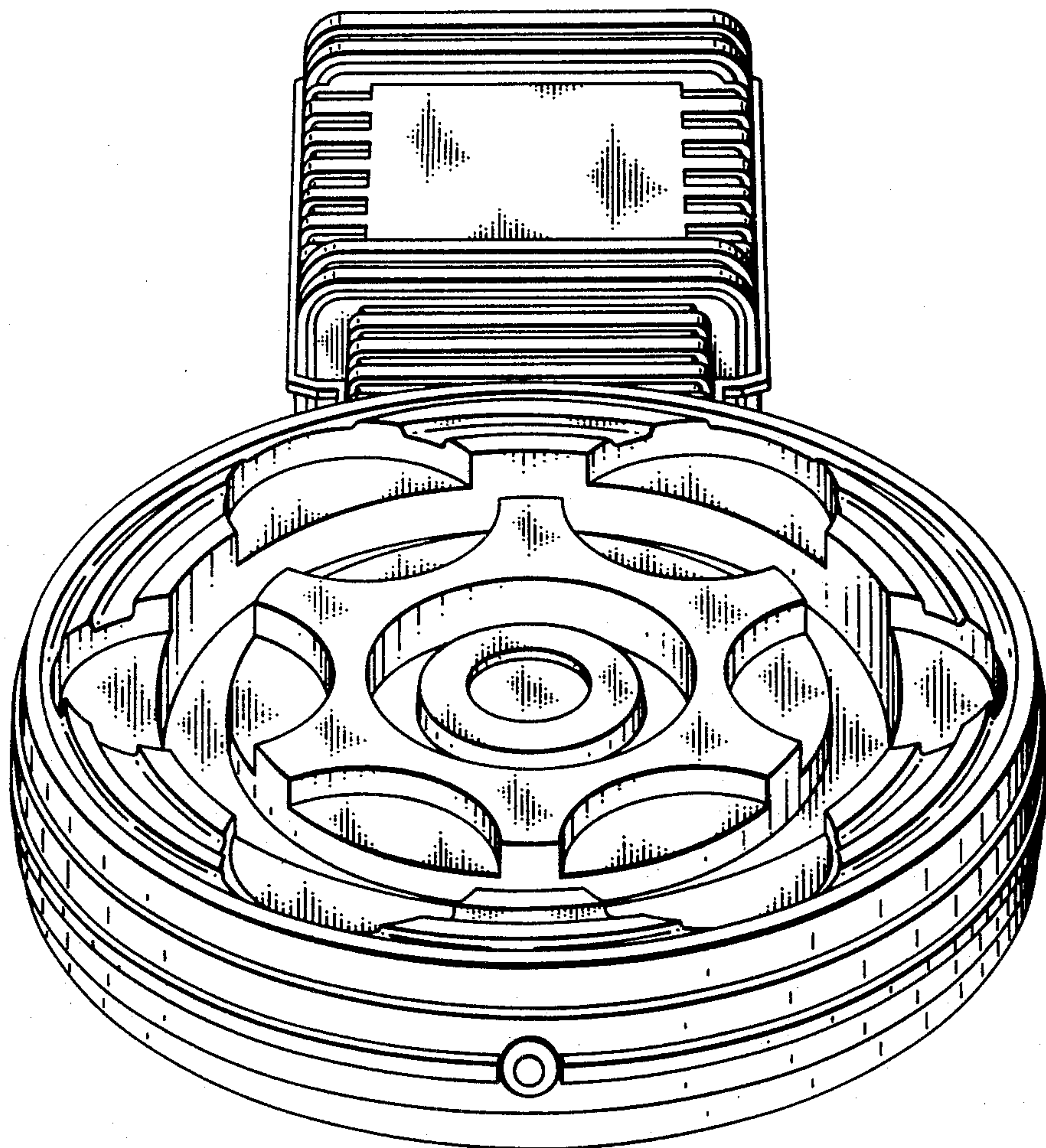


FIG. 1

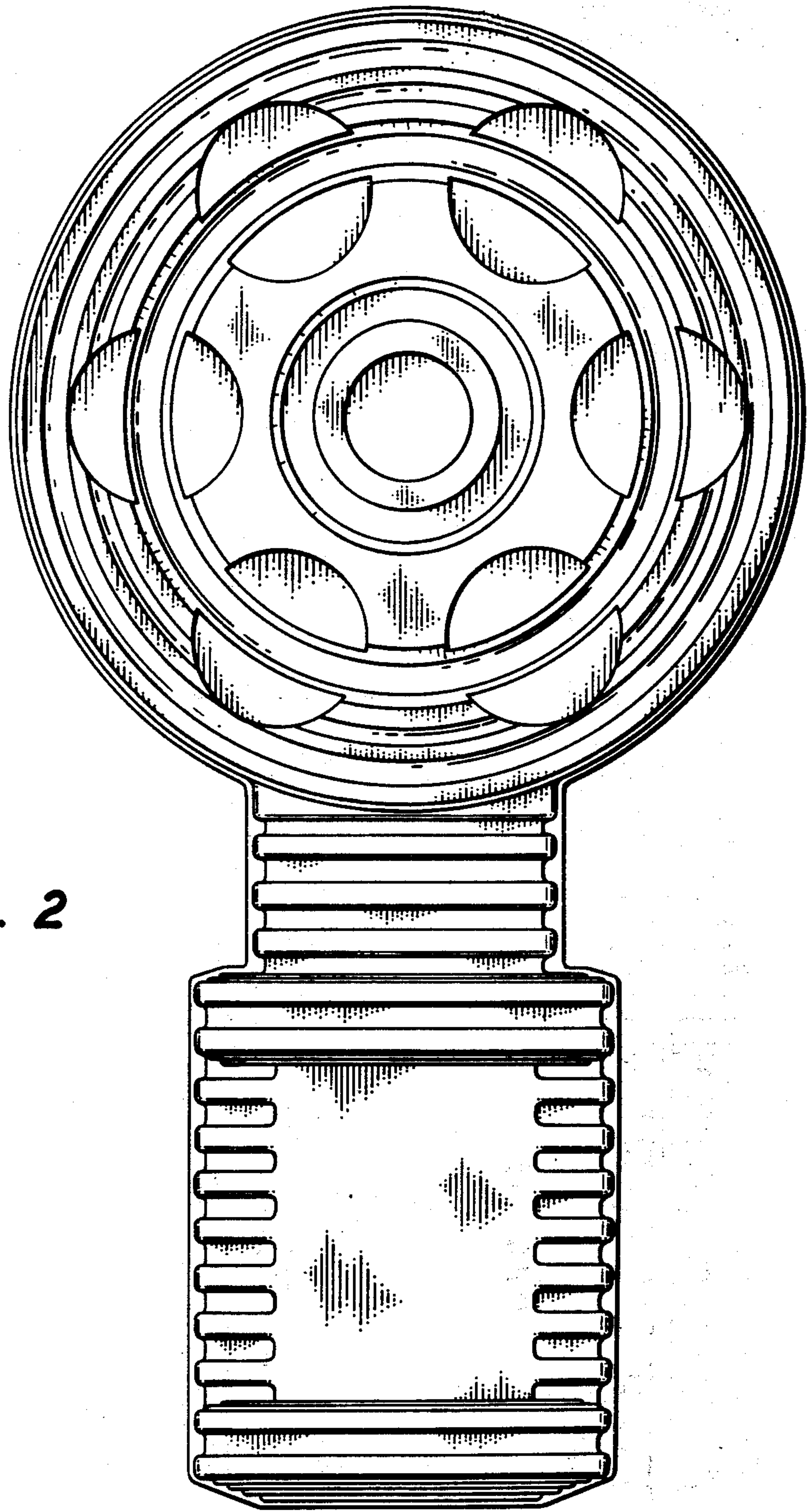


FIG. 2

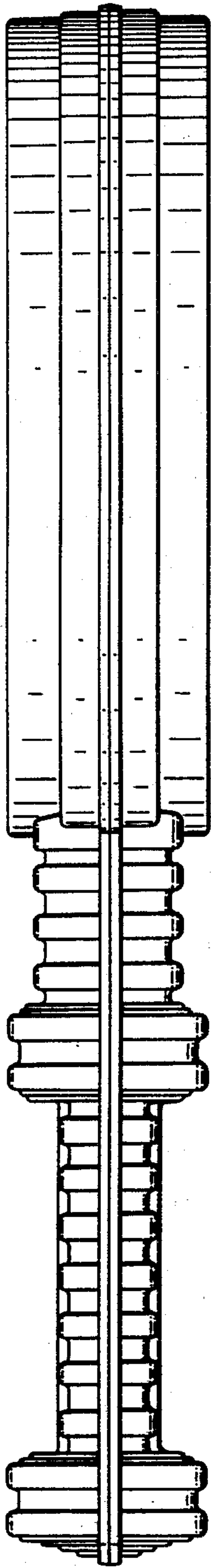


FIG. 3

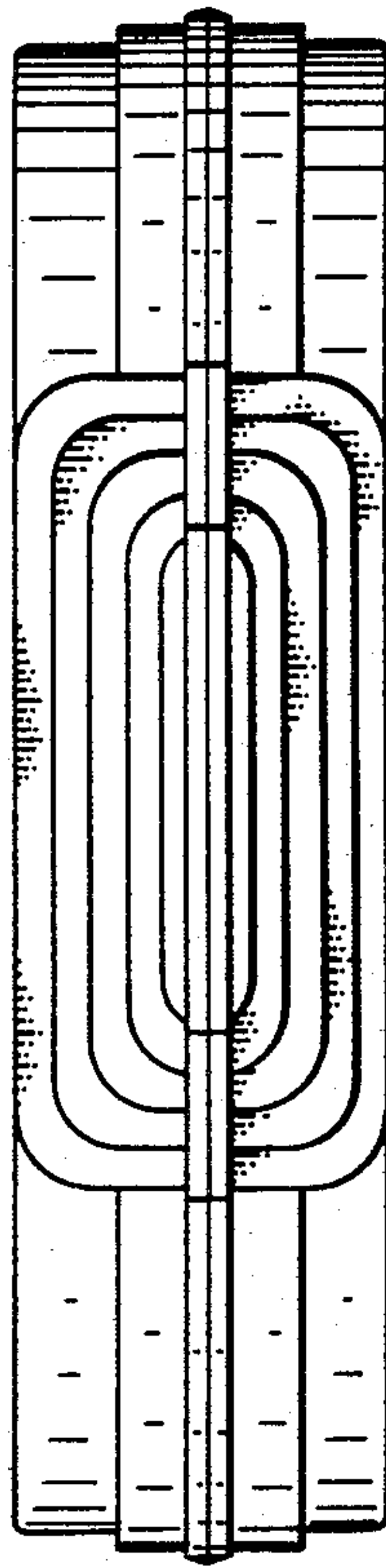


FIG. 4

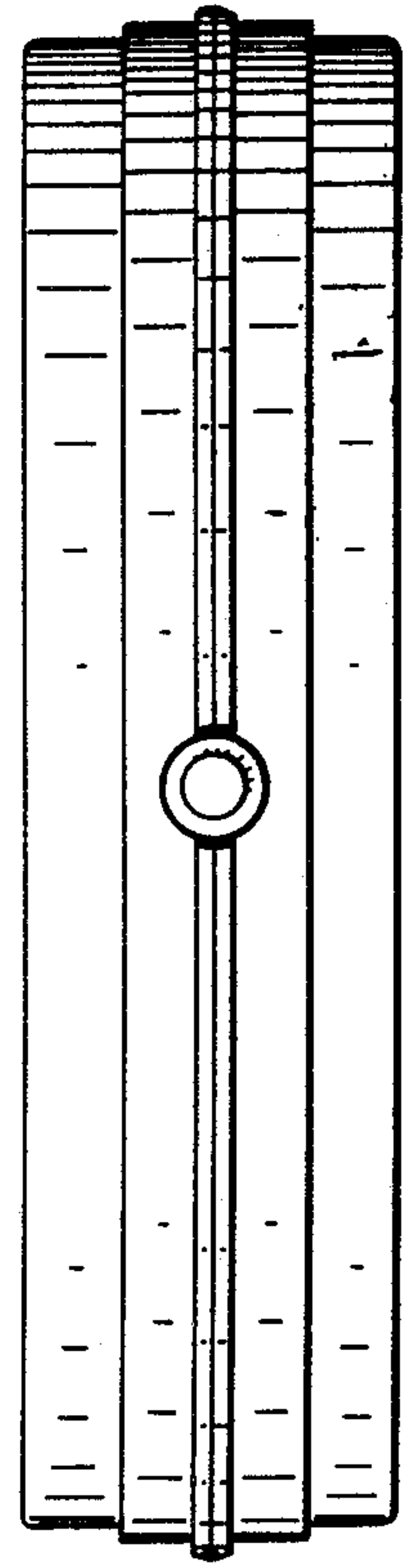


FIG. 5

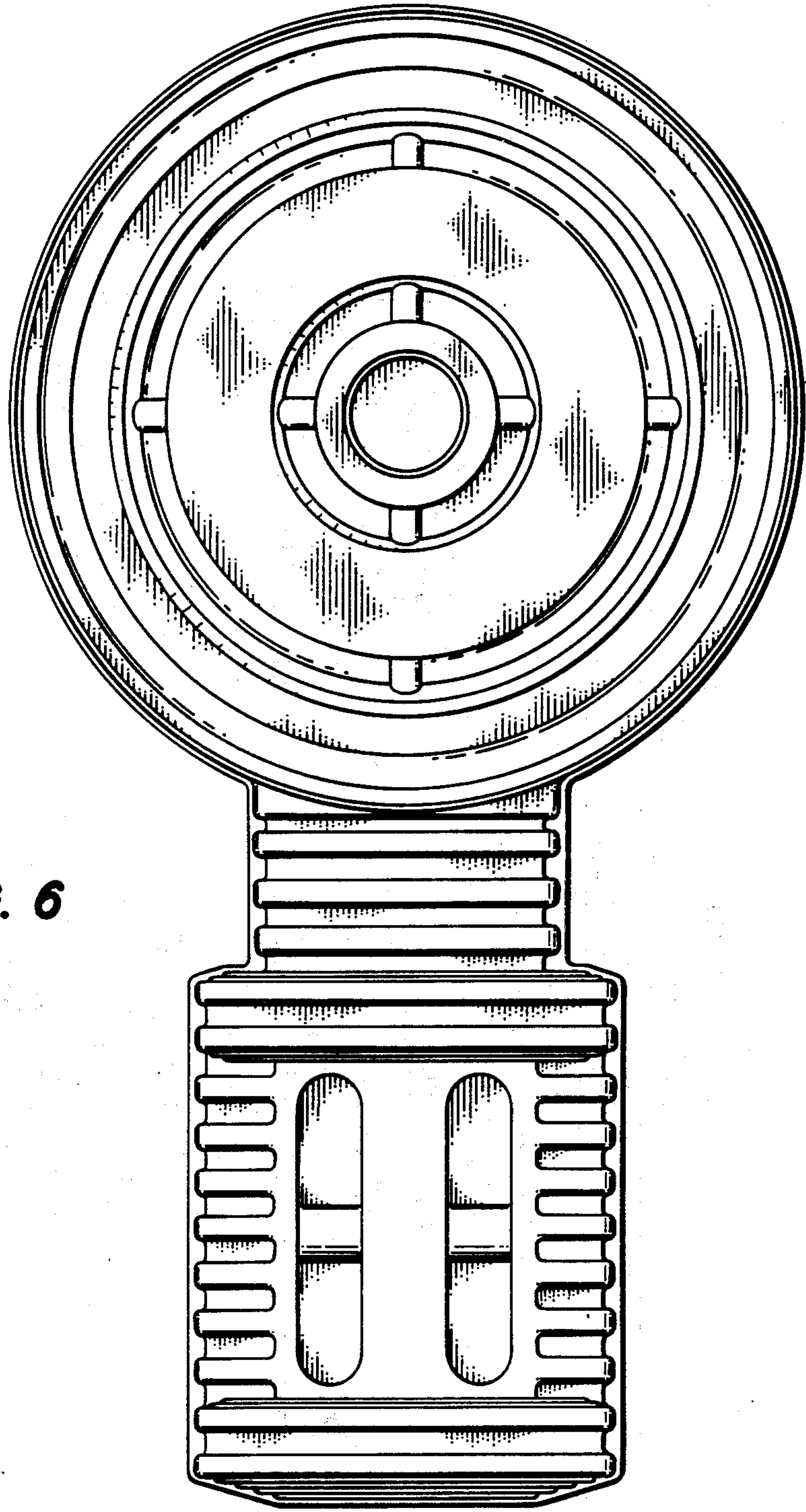


FIG. 6

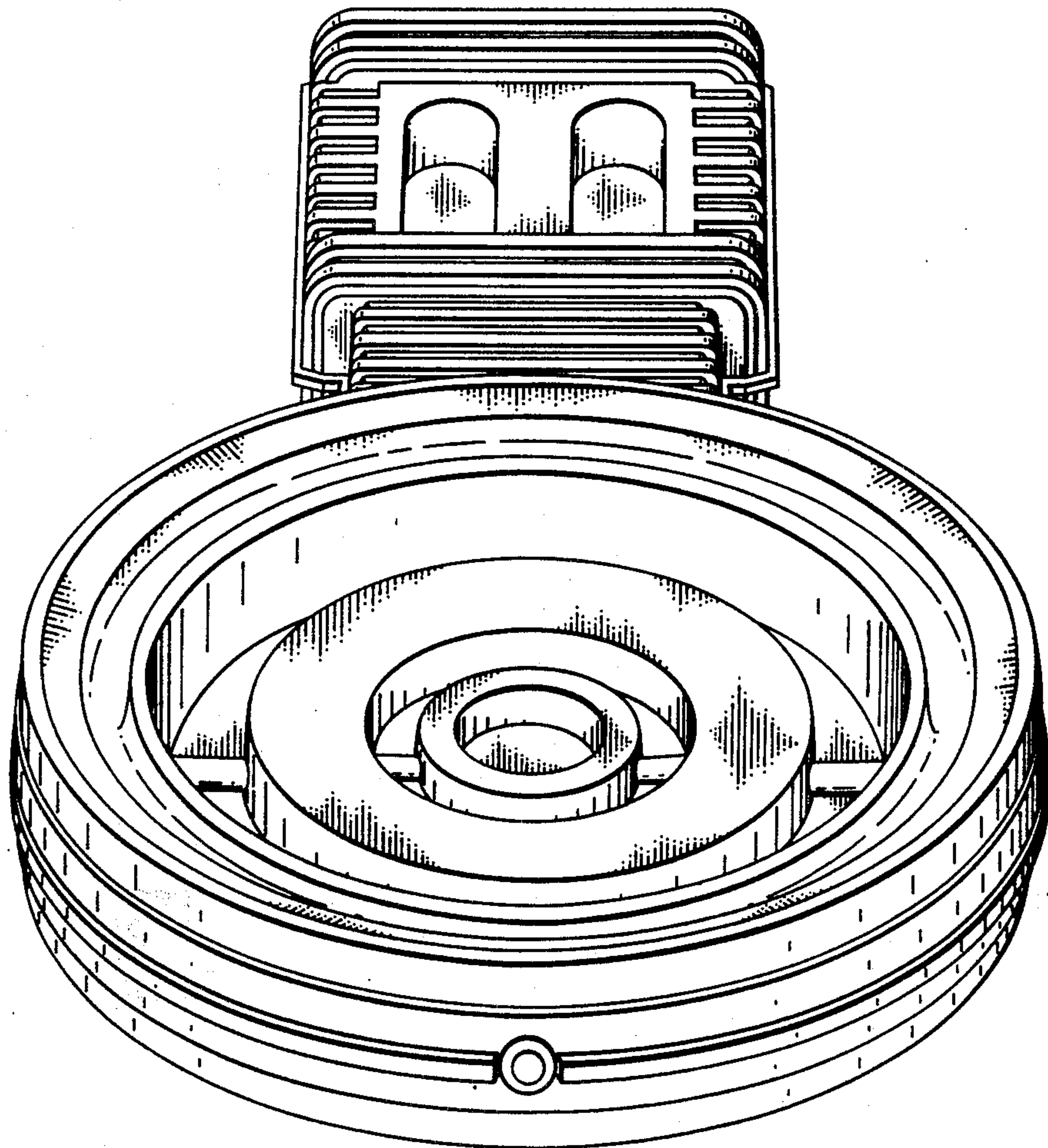


FIG. 7