

[54] ROLLER GUIDE FOR A FISHING ROD

[75] Inventor: Herbert Ziemelis, Wallingford, Conn.

[73] Assignee: Mildrum Manufacturing Co., East Berlin, Conn.

[\*\*] Term: 14 Years

[21] Appl. No.: 634,306

[22] Filed: Jul. 25, 1984

[52] U.S. Cl. .... D22/143

[58] Field of Search ..... 43/24; D22/143

[56] References Cited

U.S. PATENT DOCUMENTS

D. 203,273 12/1965 Chion ..... D22/143

4,428,141 1/1984 Kovalovsky ..... 43/24

Primary Examiner—A. Hugo Word  
Attorney, Agent, or Firm—Hayes & Reinsmith

[57] CLAIM

The ornamental design for a roller guide for a fishing rod, as shown.

DESCRIPTION

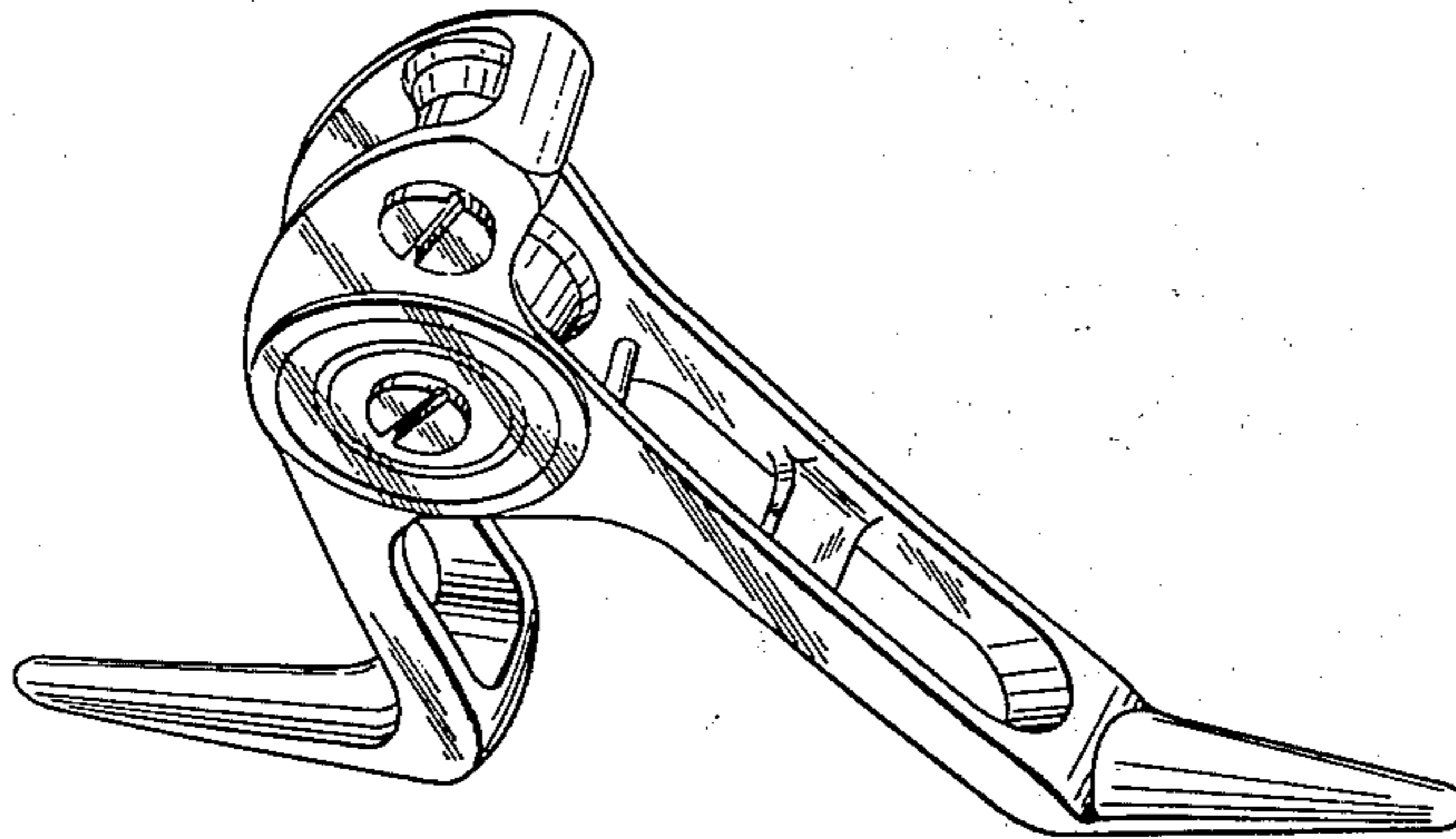
FIG. 1 is a perspective view of the roller guide for a fishing rod;

FIG. 2 is a side view of the roller guide for a fishing rod;

FIG. 3 is a top plan view of the roller guide for a fishing rod;

FIG. 4 is an end view of the roller guide for a fishing rod; and

FIG. 5 is an opposite end view of the roller guide for a fishing rod as shown in FIG. 4.



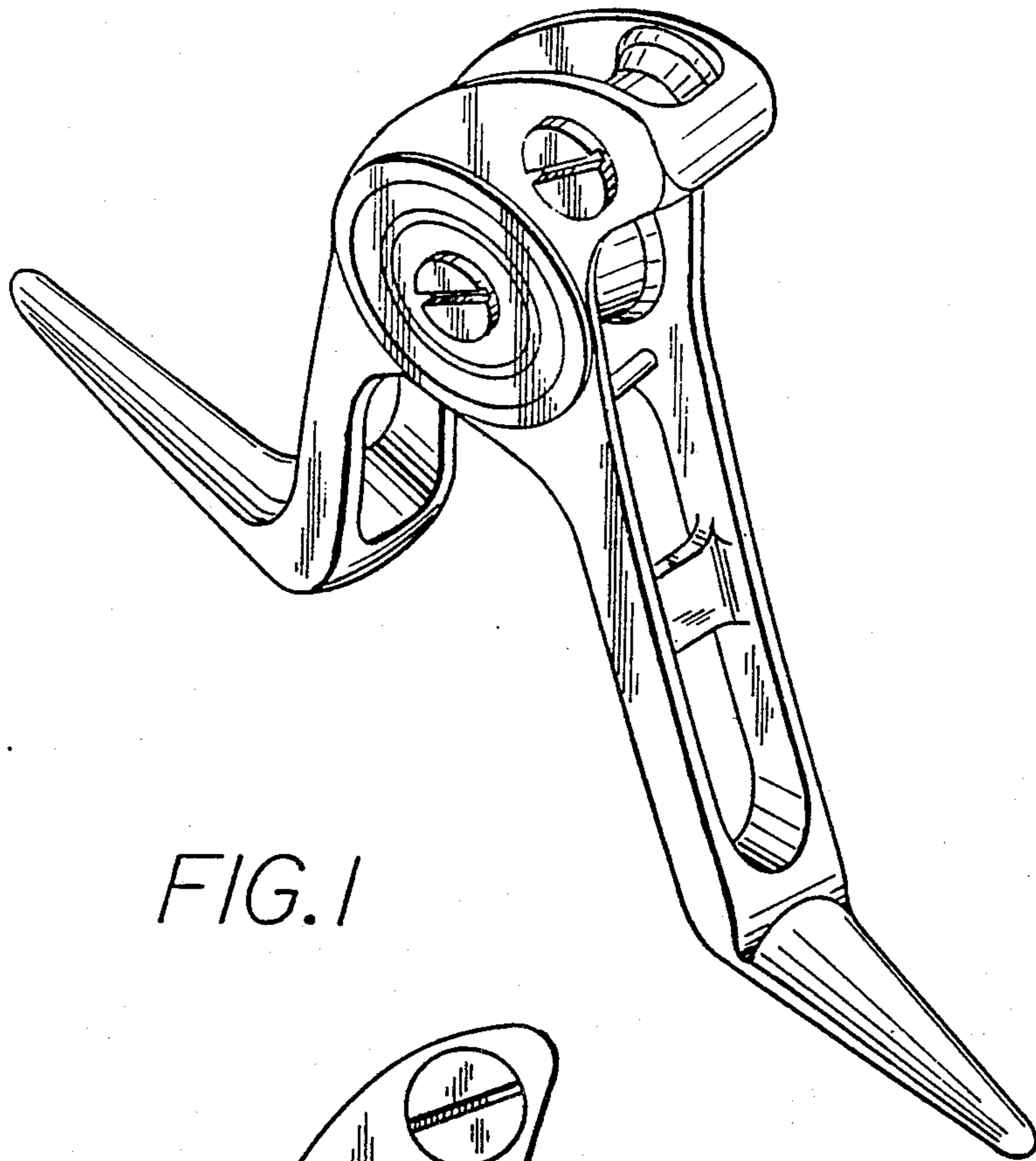


FIG. 1

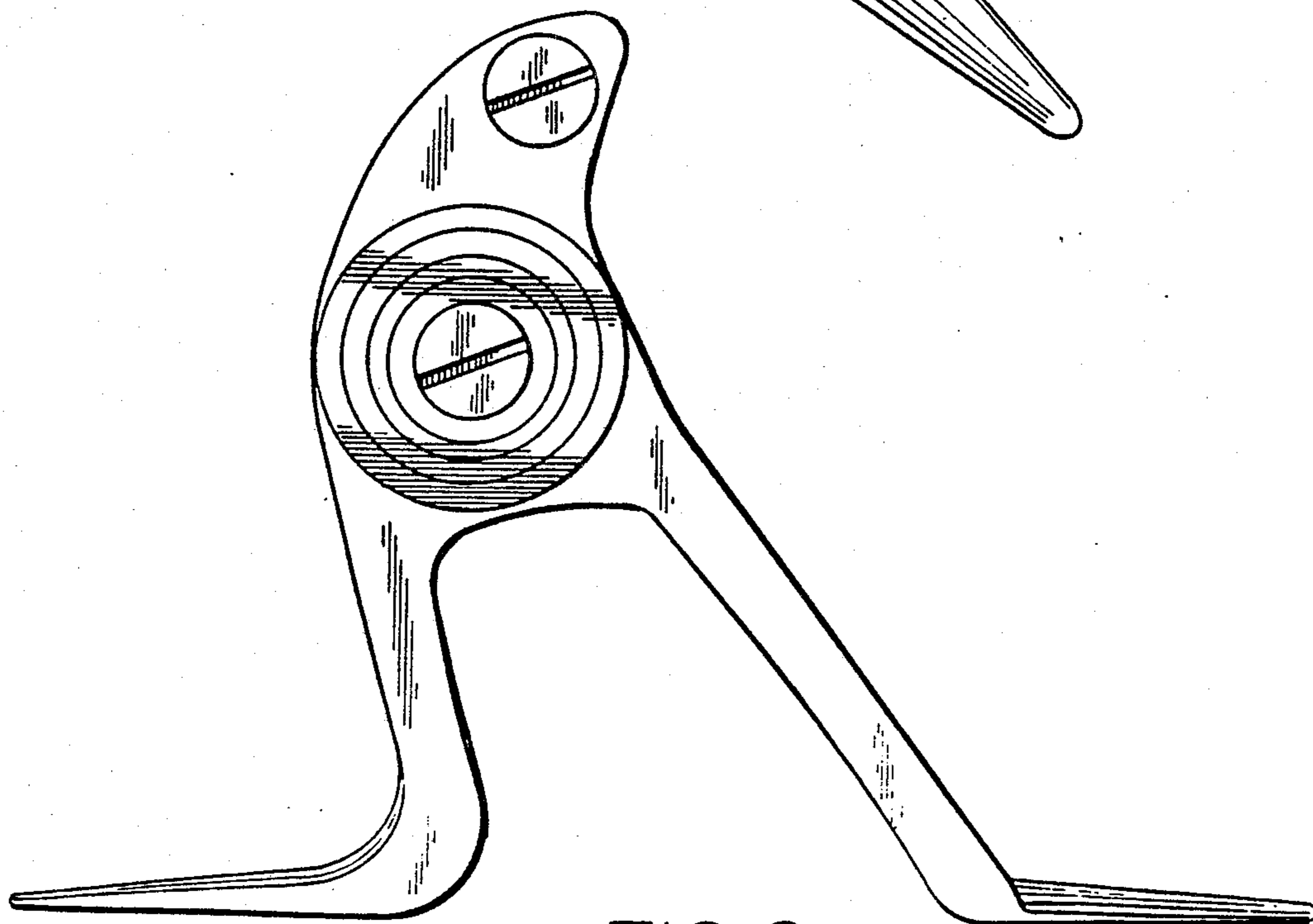


FIG. 2

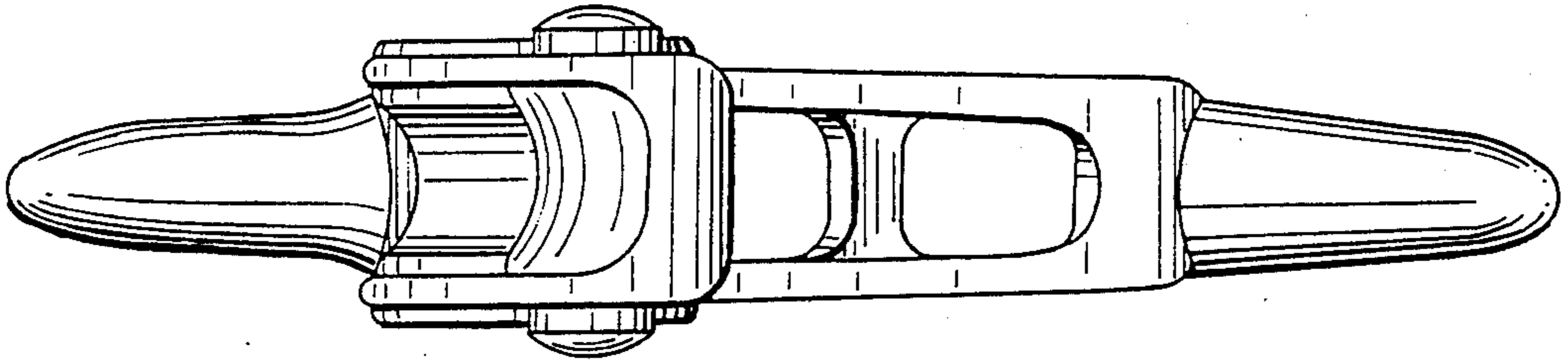


FIG. 3

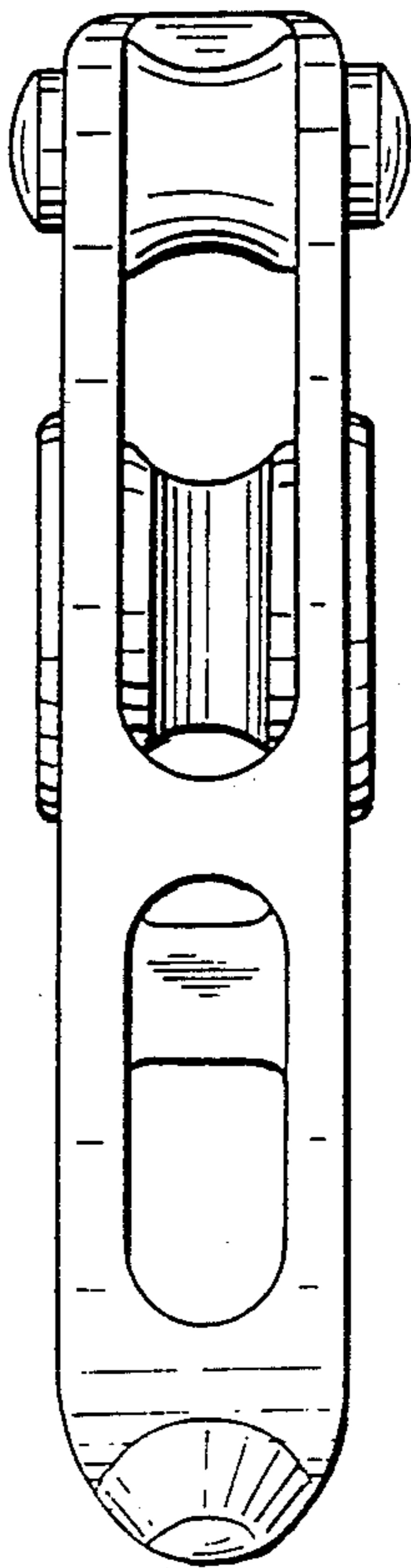


FIG. 4

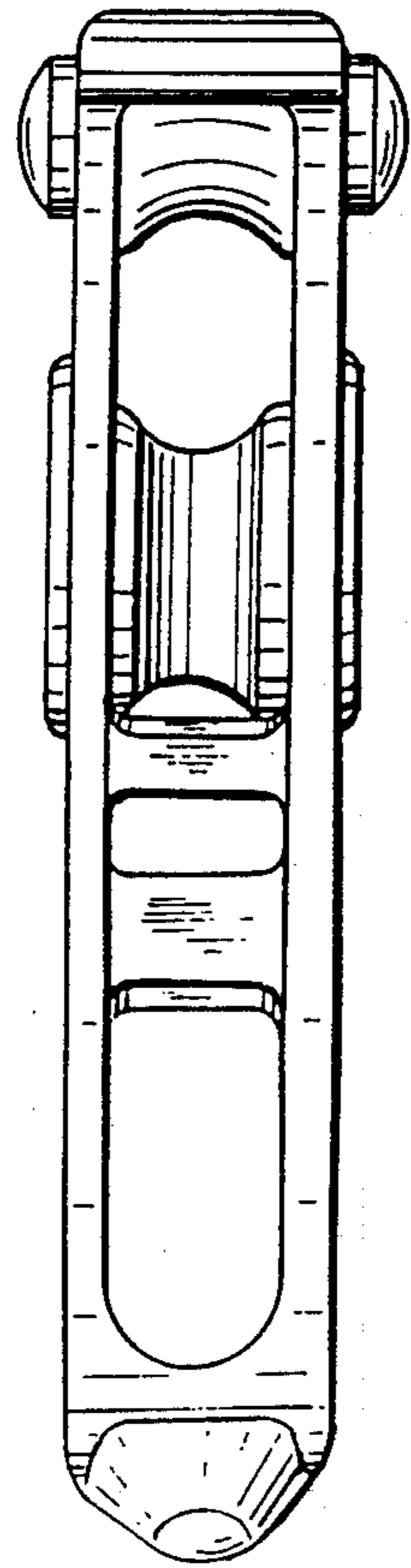


FIG. 5