

United States Patent [19]

Bollinger et al.

[11] Patent Number: **Des. 292,108**

[45] Date of Patent: **** Sep. 29, 1987**

[54] TOY VEHICLE

[75] Inventors: **Howard N. Bollinger; Robert E. Cordrey; Charles E. Ligon; David A. Myers**, all of Cincinnati, Ohio

[73] Assignee: **Kenner Parker Toys Inc.**, Beverly, Mass.

[**] Term: **14 Years**

[21] Appl. No.: **701,582**

[22] Filed: **Feb. 14, 1985**

[52] U.S. Cl. **D21/137**

[58] Field of Search **D21/71, 73, 76, 78, D21/77, 79, 80, 128, 131, 132, 134, 135, 137, 140, 141; 280/1.11 R, 87.01, 87.02; 446/440, 465, 470, 471**

[56] References Cited

U.S. PATENT DOCUMENTS

D. 55,433 6/1920 Peoples D21/80
D. 58,255 6/1921 Phillips D21/80
D. 253,182 10/1979 Satten D21/80
D. 285,947 9/1986 Blumenthal D21/76

Primary Examiner—Charles A. Rademaker
Attorney, Agent, or Firm—L. MeRoy Lillehaugen; Gene O. Enockson

[57] CLAIM

The ornamental design for a toy vehicle, substantially as shown and described.

DESCRIPTION

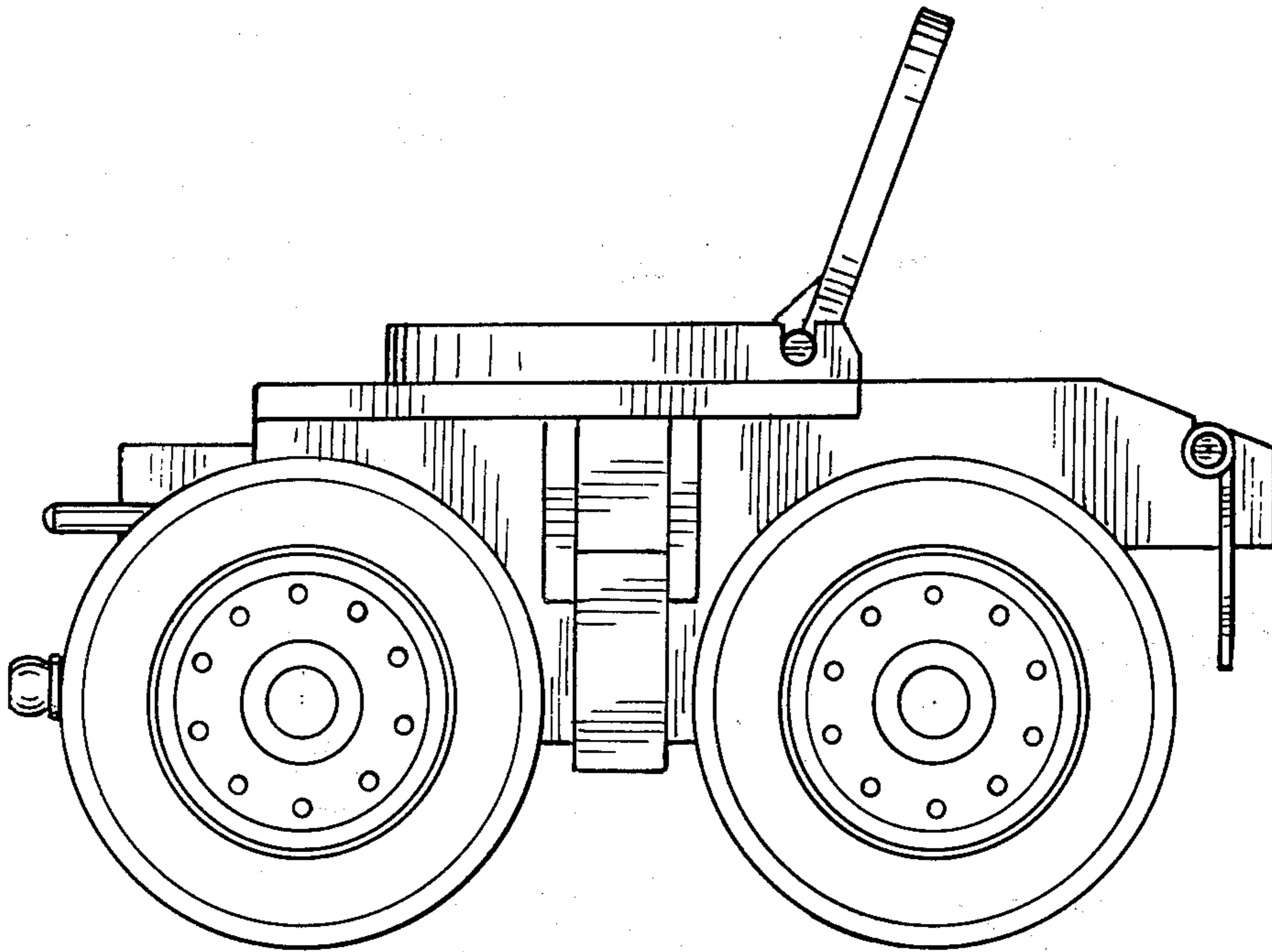
FIG. 1 is a side elevational view of a toy truck showing our new design, the side opposite being substantially a mirror image thereof;

FIG. 2 is a top plan view thereof;

FIG. 3 is a front elevational view thereof;

FIG. 4 is a rear elevational view thereof; and

FIG. 5 is a bottom plan view thereof.



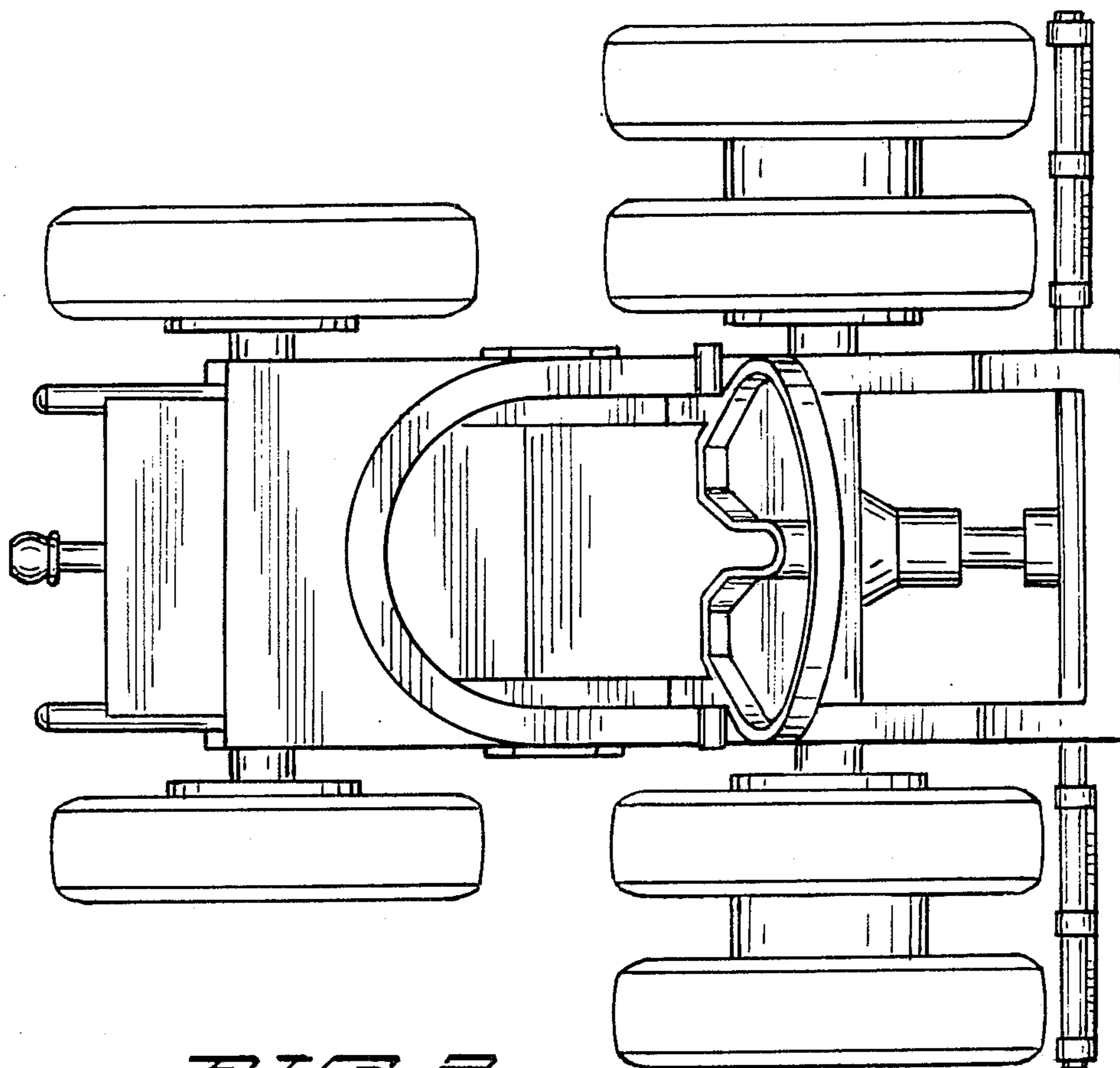
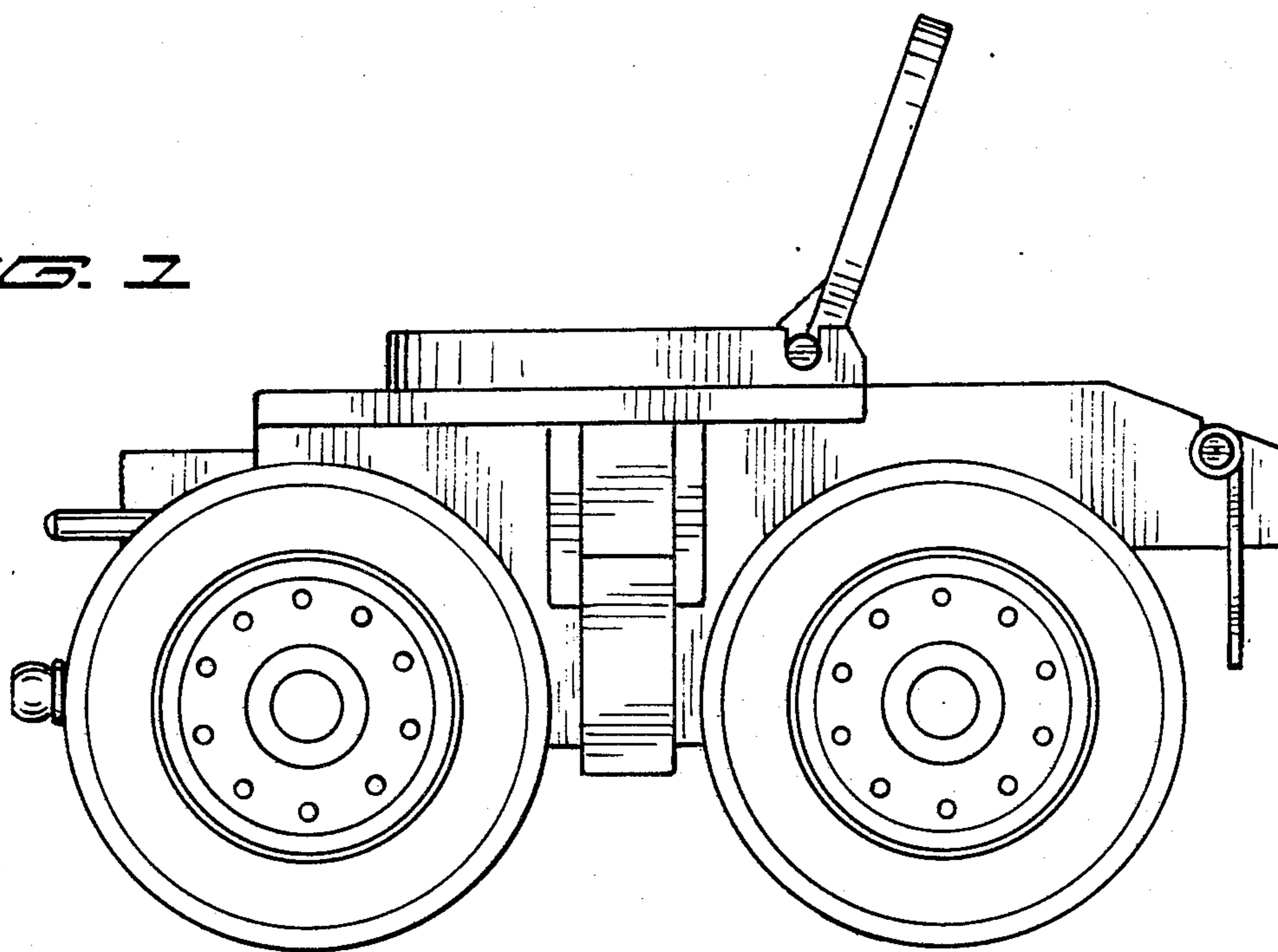


FIG. 2

FIG. 1



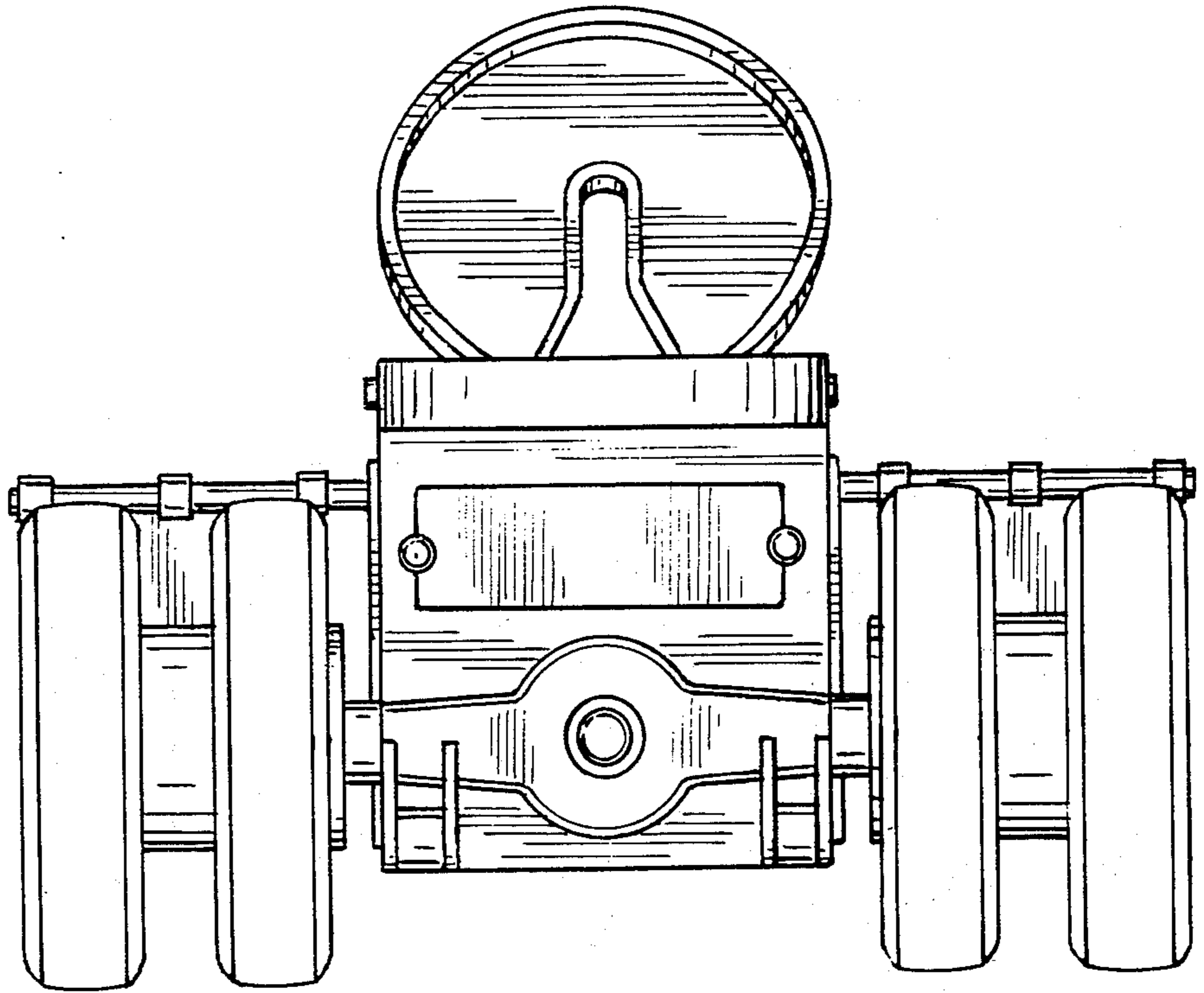


FIG. 3

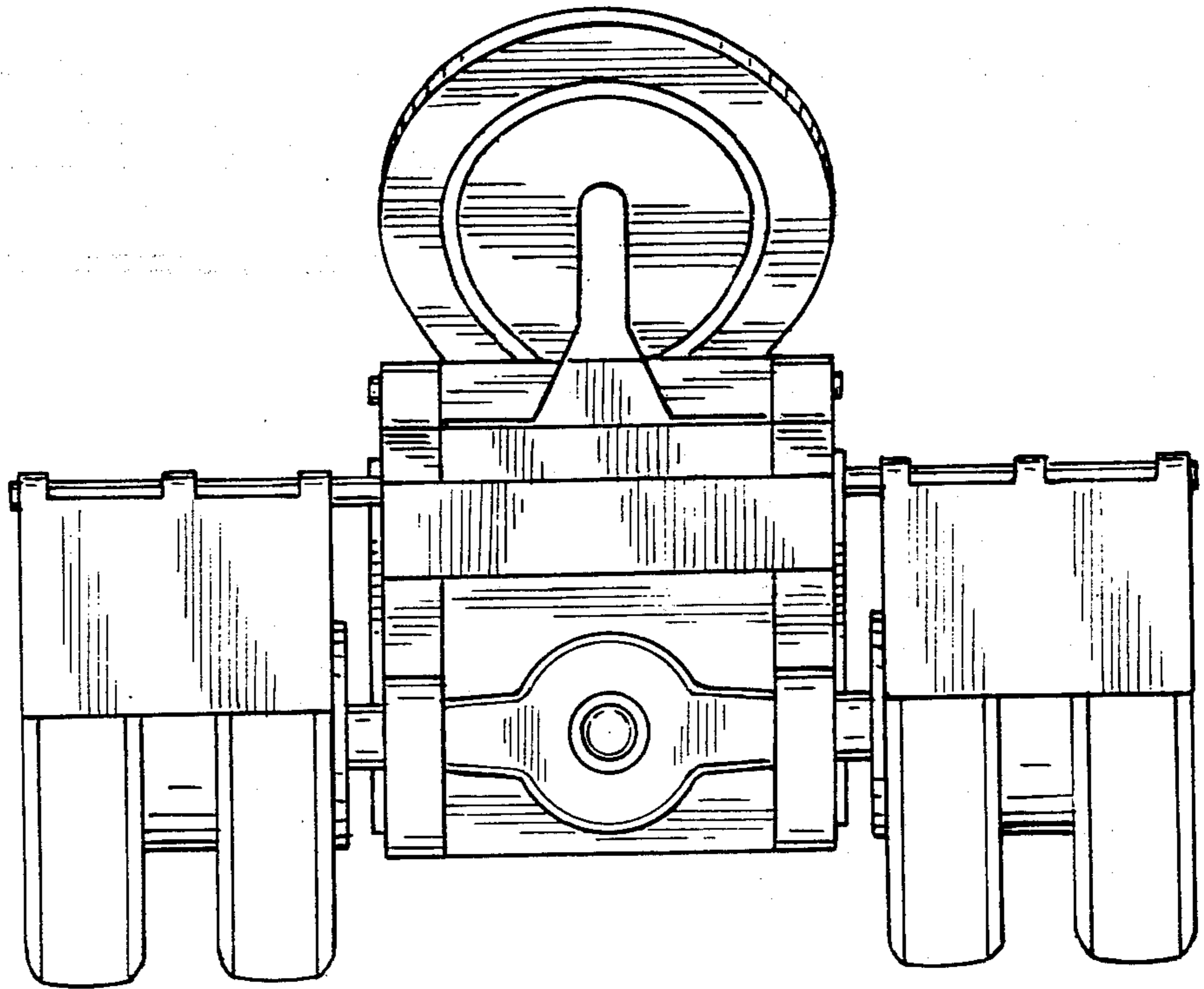


FIG. 4

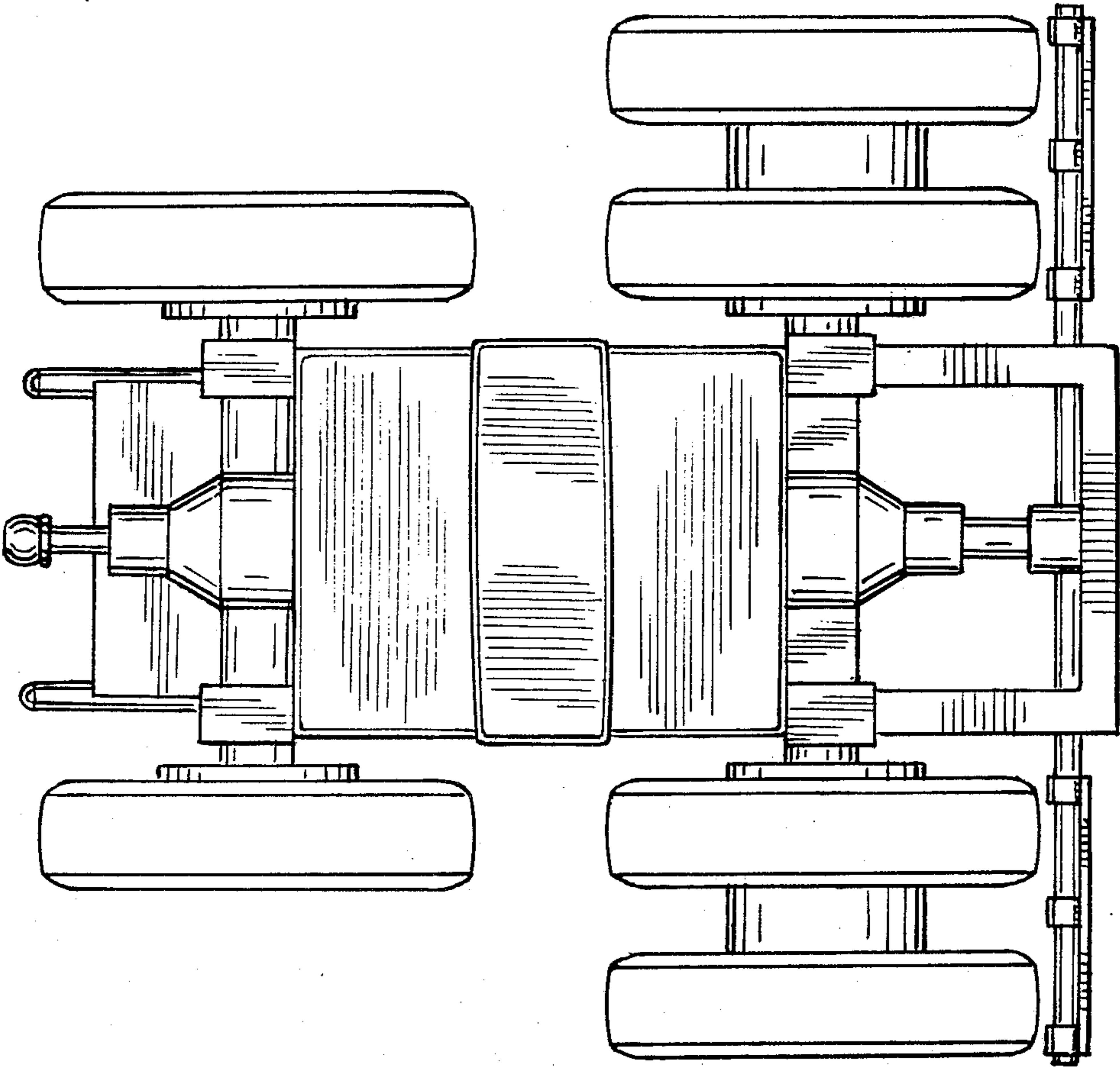


FIG. 5