

[54] SPEAKER

[75] Inventor: Noboru Keitoku, Tokyo, Japan

[73] Assignee: Pioneer Electronic Corporation, Tokyo, Japan

[**] Term: 14 Years

[21] Appl. No.: 734,229

[22] Filed: May 15, 1985

[30] Foreign Application Priority Data

Dec. 28, 1984 [JP] Japan 59-53745

[52] U.S. Cl. D14/30; D14/34

[58] Field of Search D14/30, 31, 32, 33, D14/34, 35, 37, 38, 99; 181/148, 150, 199; 379/432

[56] References Cited

U.S. PATENT DOCUMENTS

- D. 254,252 2/1980 Matsubara D14/30
- D. 265,556 7/1982 Iijima D14/30

- D. 278,432 4/1985 Buck D14/30 X
- D. 284,370 6/1986 O'Connor, Jr. D14/34 X

OTHER PUBLICATIONS

J. C. Whitney & Co., catalog No. 451D, p. A, top left of page.

Primary Examiner—Bernard Ansher
Assistant Examiner—Theodore M. Shooman
Attorney, Agent, or Firm—Sughrue, Mion, Zinn, Macpeak & Seas

[57] CLAIM

The ornamental design for a speaker, as shown.

DESCRIPTION

FIG. 1 is a front elevational view of a speaker showing my new design;
FIG. 2 is a right side elevational view thereof;
FIG. 3 is a rear elevational view thereof;
FIG. 4 is a left side elevational view thereof;
FIG. 5 is a top plan view thereof;
FIG. 6 is a bottom plan view thereof; and
FIG. 7 is a front and bottom perspective view thereof.

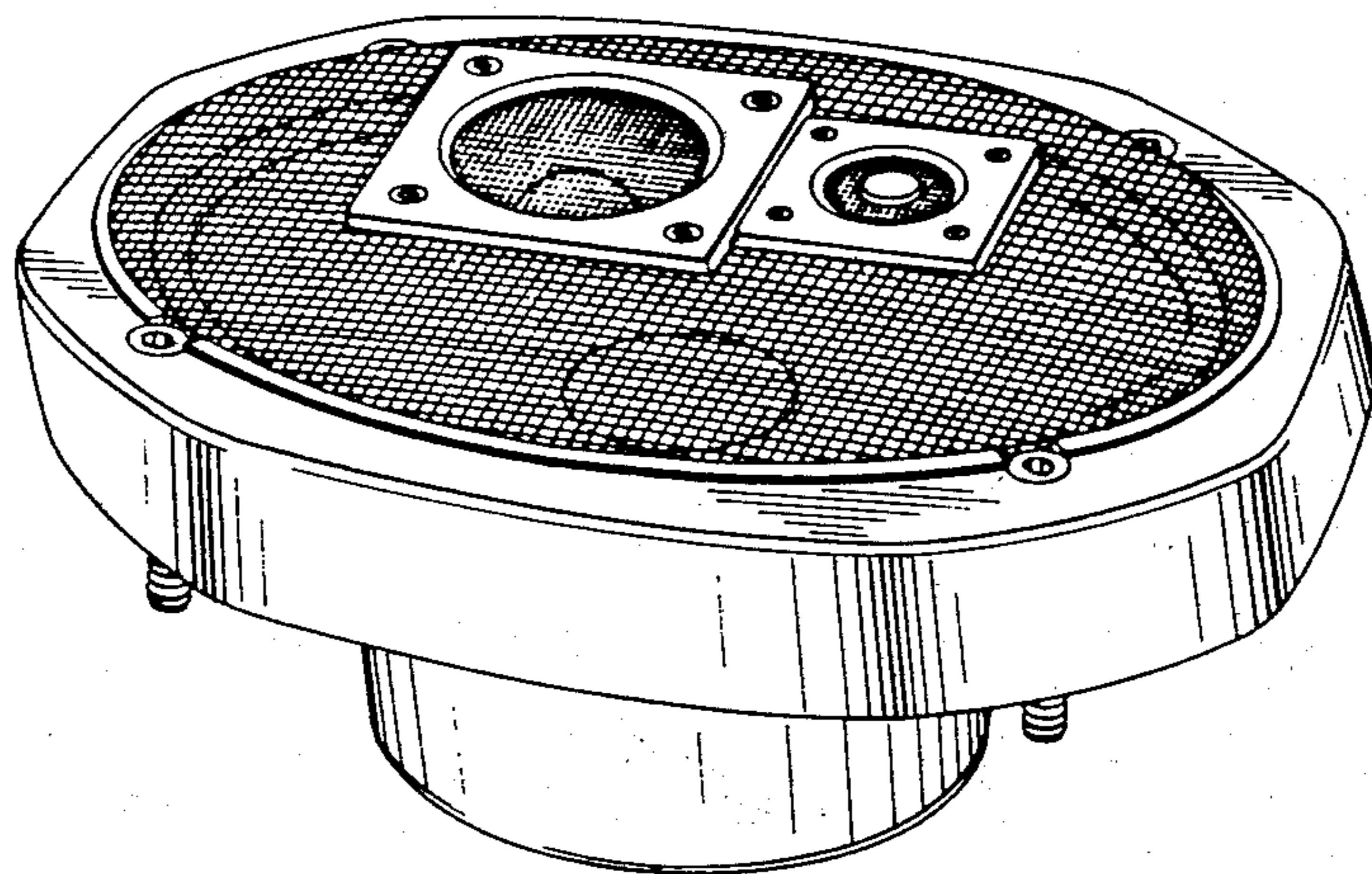


FIG. 1

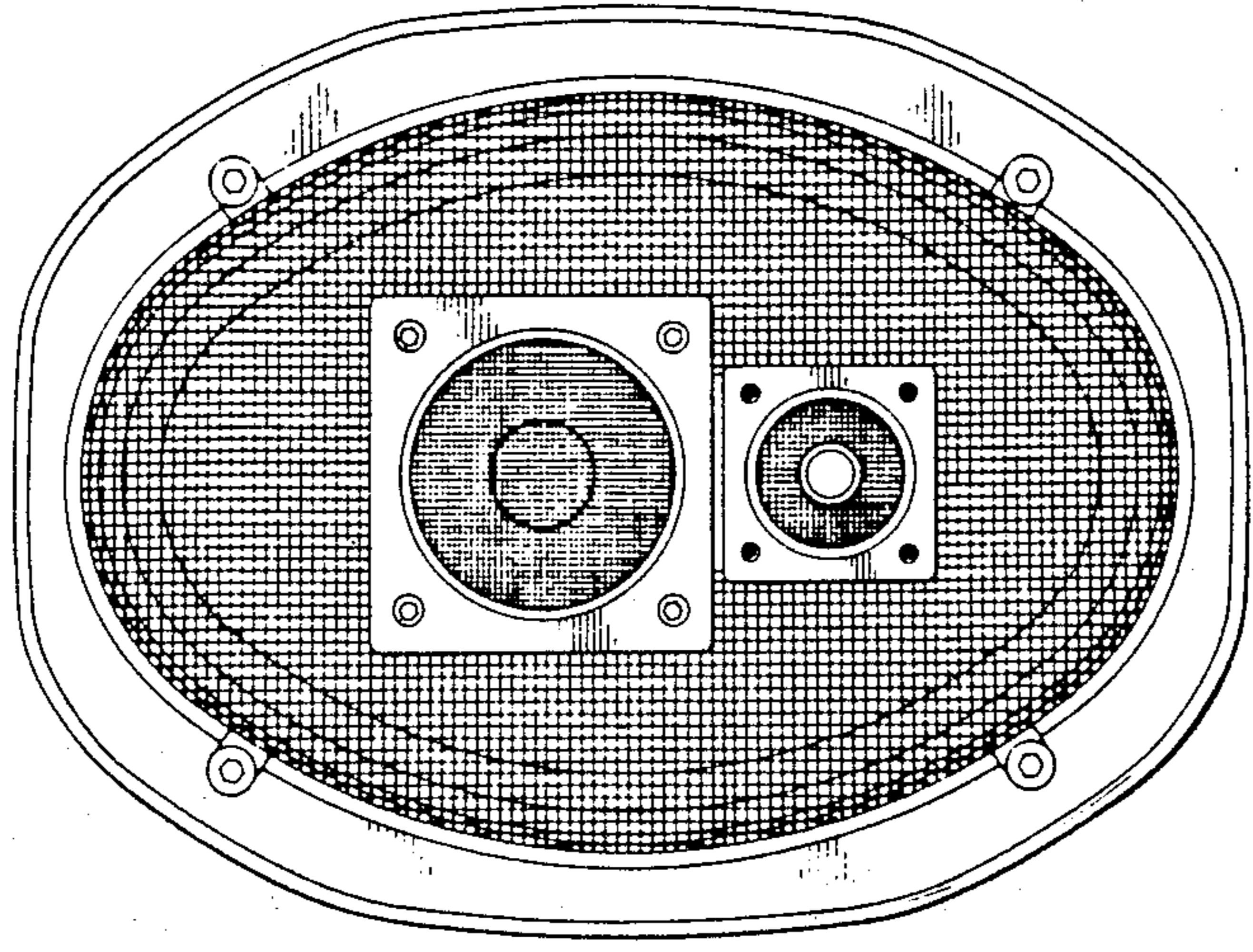


FIG. 2

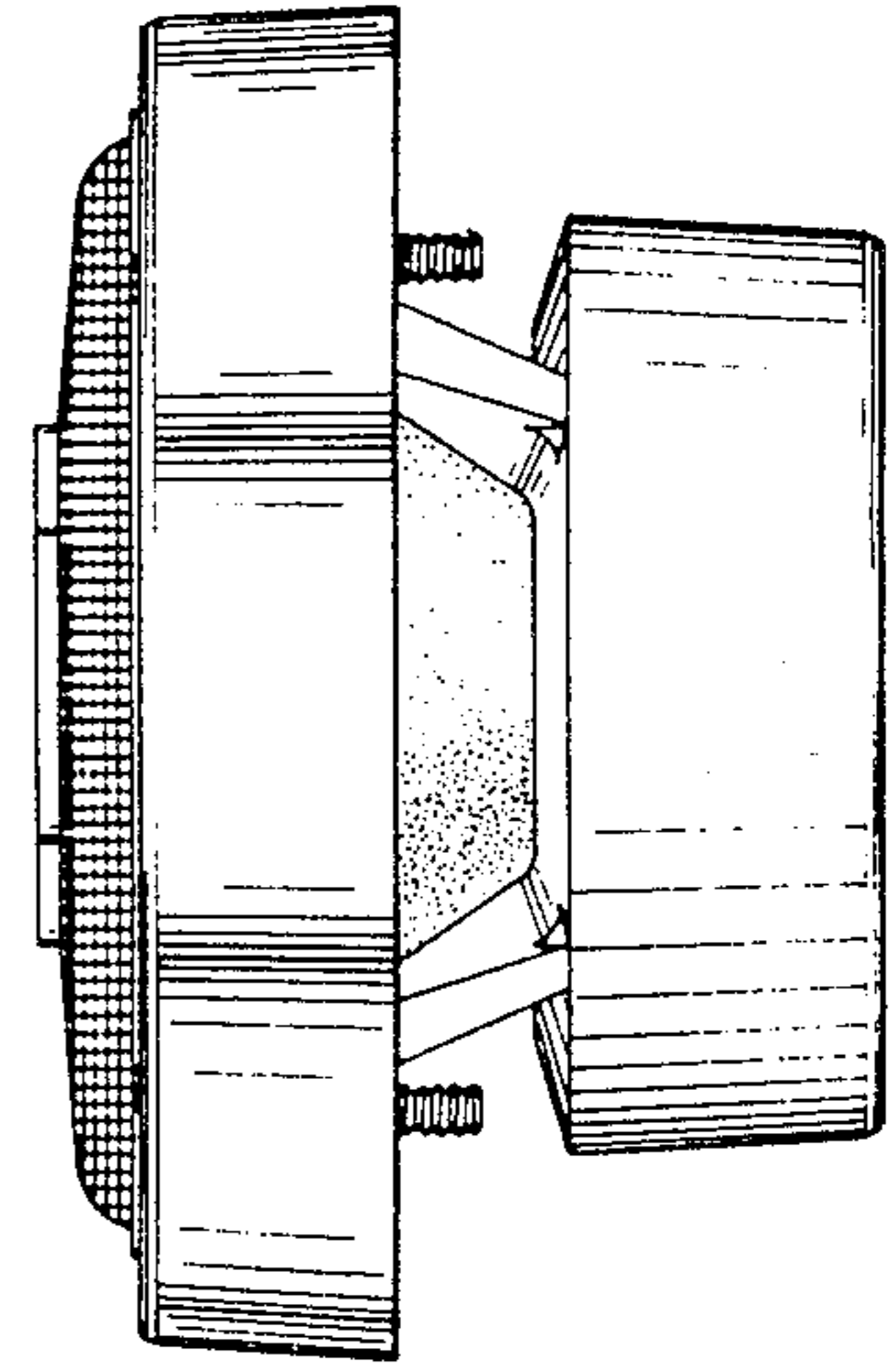


FIG. 3

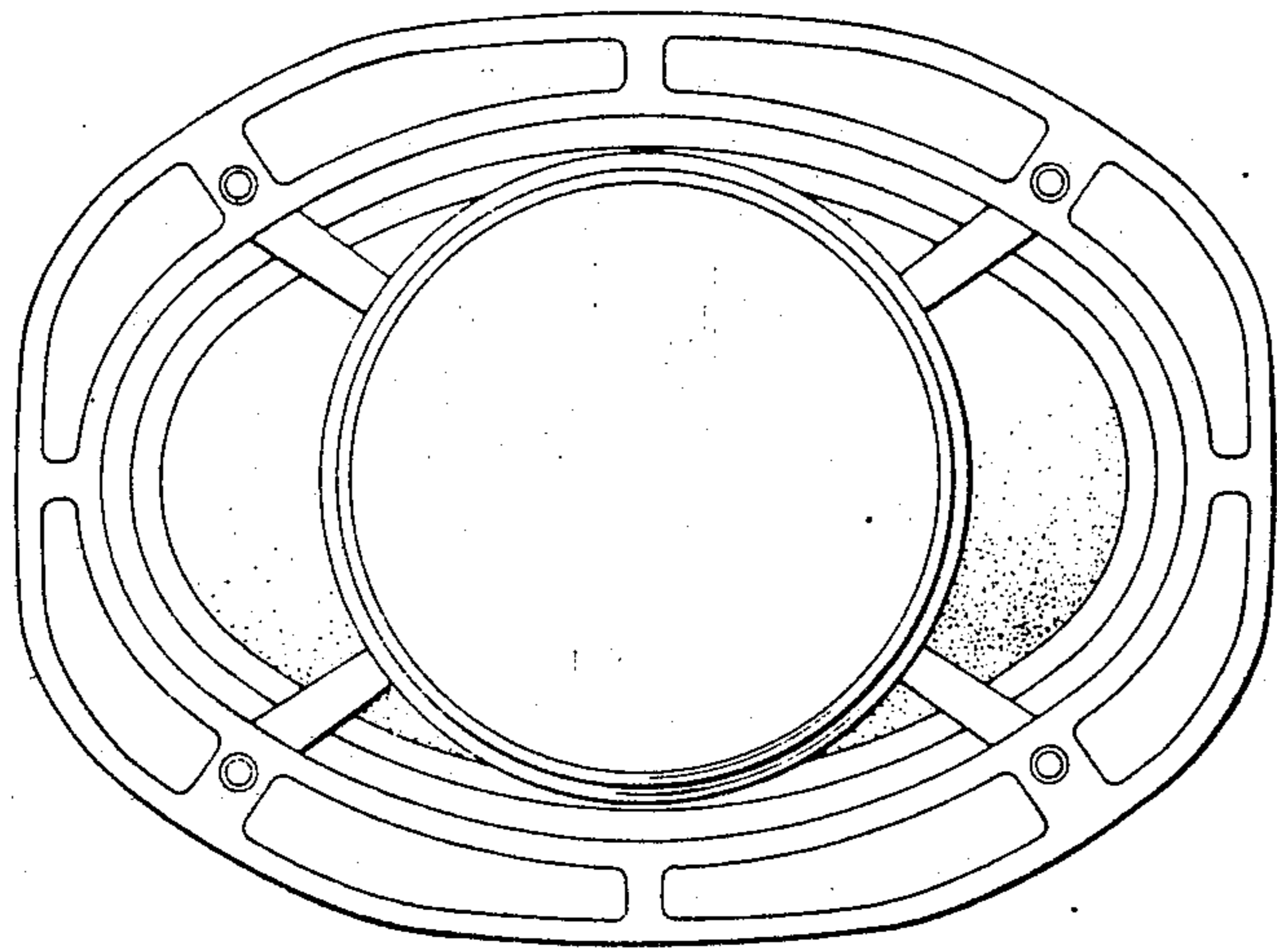


FIG. 4

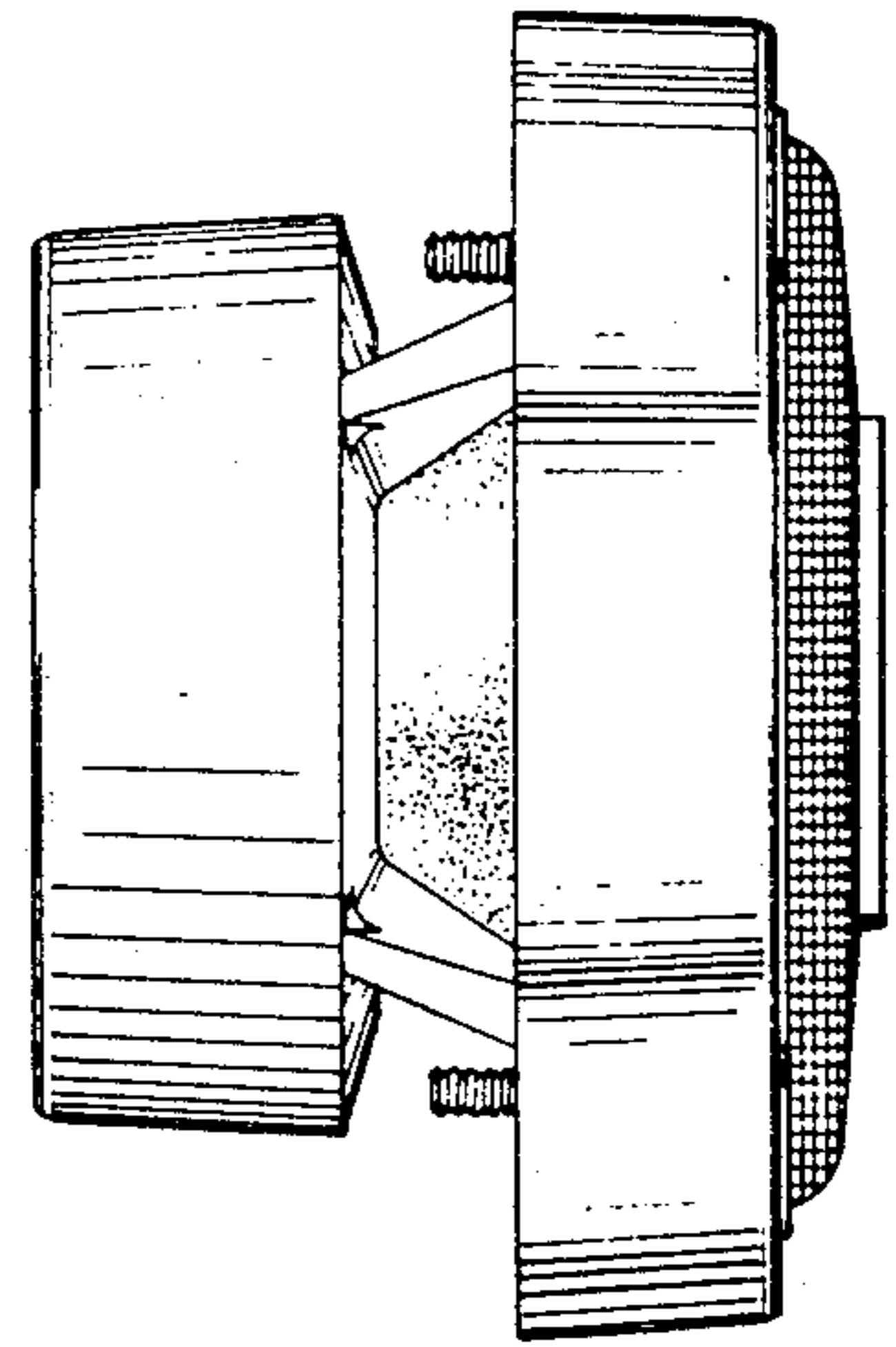


FIG. 5

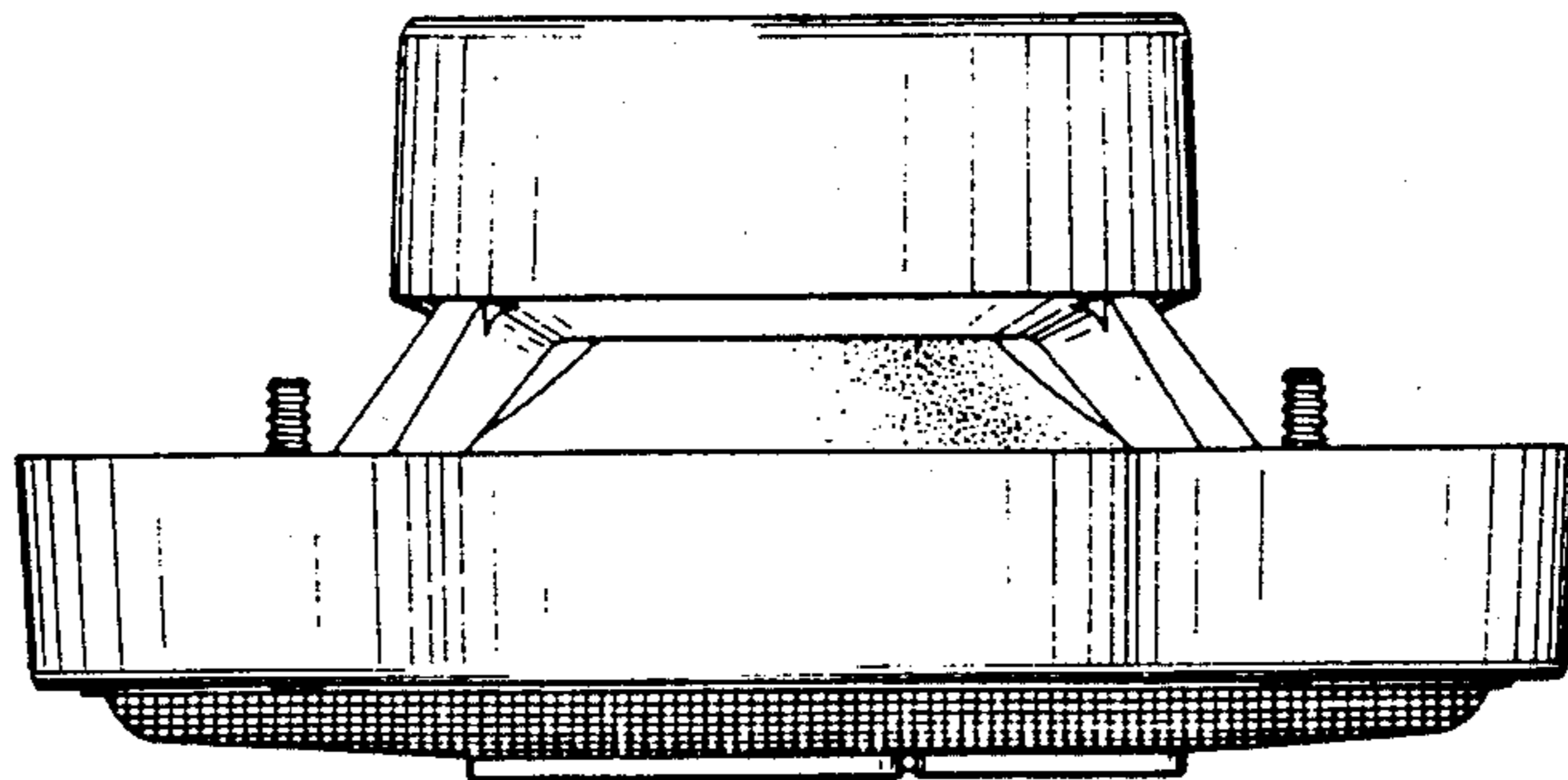


FIG. 6

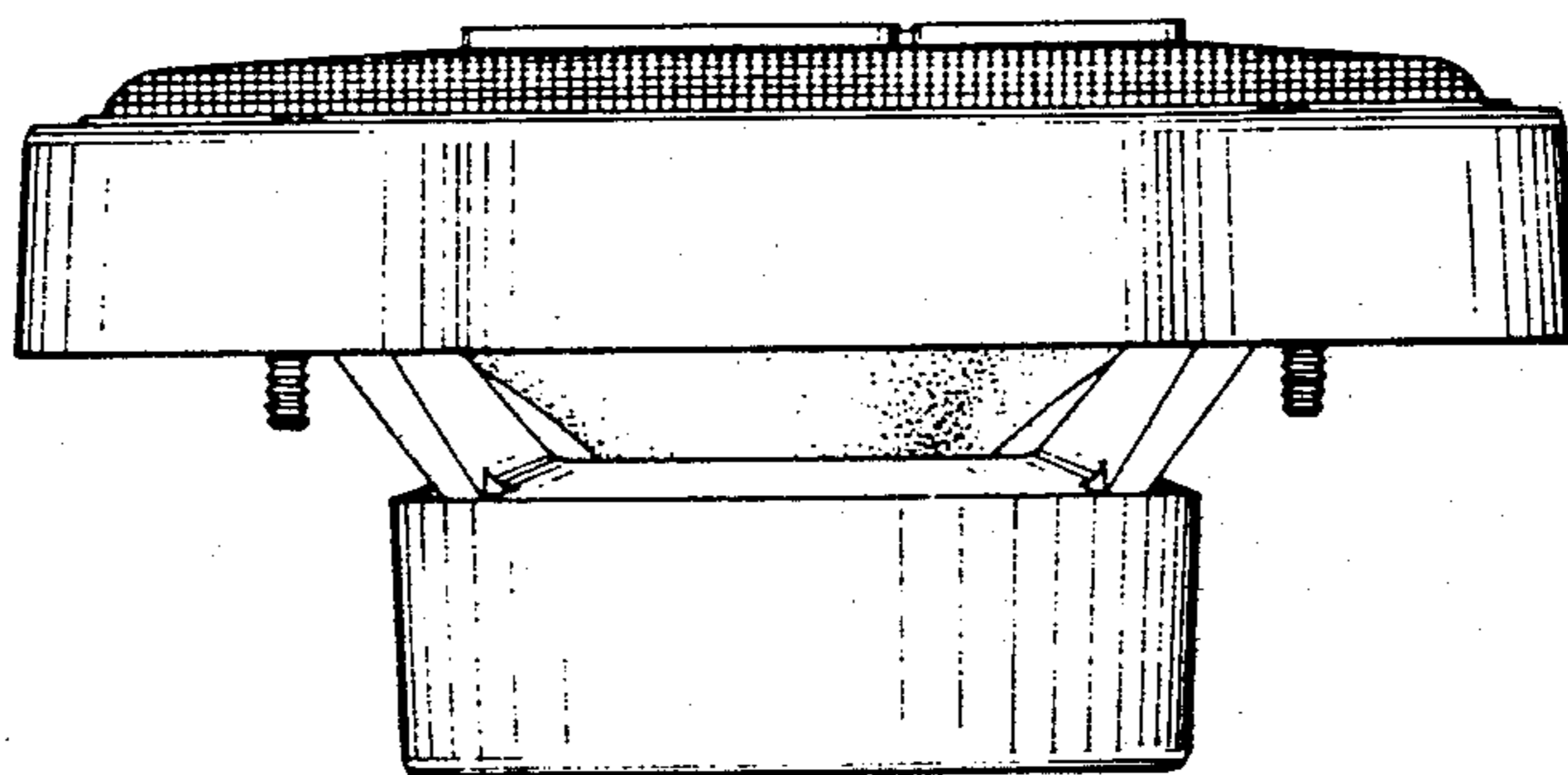


FIG. 7

