

[54] FIBER OPTICAL DISTRIBUTION BOX

[75] Inventor: Nore Eriksson, Rönninge, Sweden

[73] Assignee: Telefonaktiebolaget LM Ericsson, Stockholm, Sweden

[\*\*] Term: 14 Years

[21] Appl. No.: 638,360

[22] Filed: Aug. 6, 1984

[30] Foreign Application Priority Data

Feb. 9, 1984 [SE] Sweden ..... 840415

[52] U.S. Cl. .... D13/40; D13/24

[58] Field of Search ..... D13/24-31, D13/40; 339/164; 350/96.1, 96.2; 362/32; 174/99

[56] References Cited

U.S. PATENT DOCUMENTS

D. 281,493 11/1985 Prager et al. .... D13/40

3,733,481	5/1973	Kuyt	.....	362/32
4,401,360	8/1983	Streckmann et al.	.....	350/96.2
4,528,617	7/1985	Blackington	.....	362/32

FOREIGN PATENT DOCUMENTS

2166262 4/1986 United Kingdom ..... 350/96.2

Primary Examiner—Susan J. Lucas

Assistant Examiner—C. E. Heflin

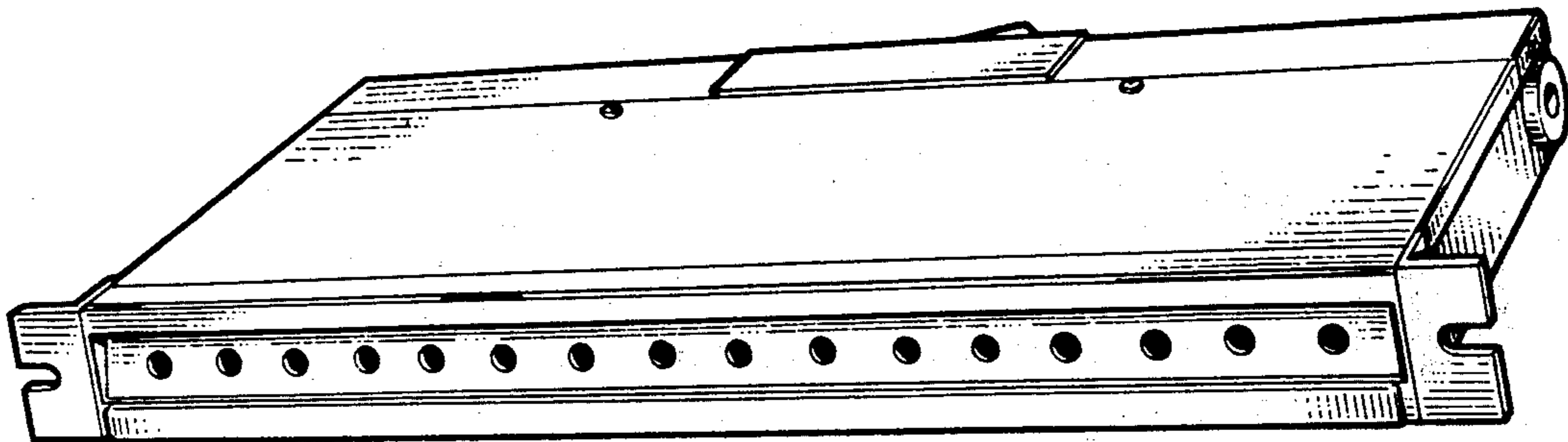
Attorney, Agent, or Firm—Roberts, Spieccens & Cohen

[57] CLAIM

The ornamental design for a fiber optical distribution box, as shown.

DESCRIPTION

FIG. 1 is a front perspective view of the fiber optical distribution box showing my new design; and FIG. 2 is a rear perspective view thereof. The side not shown is identical to that shown in both FIGS. 1 and 2 and the bottom of the claimed article is plain and unornamented.



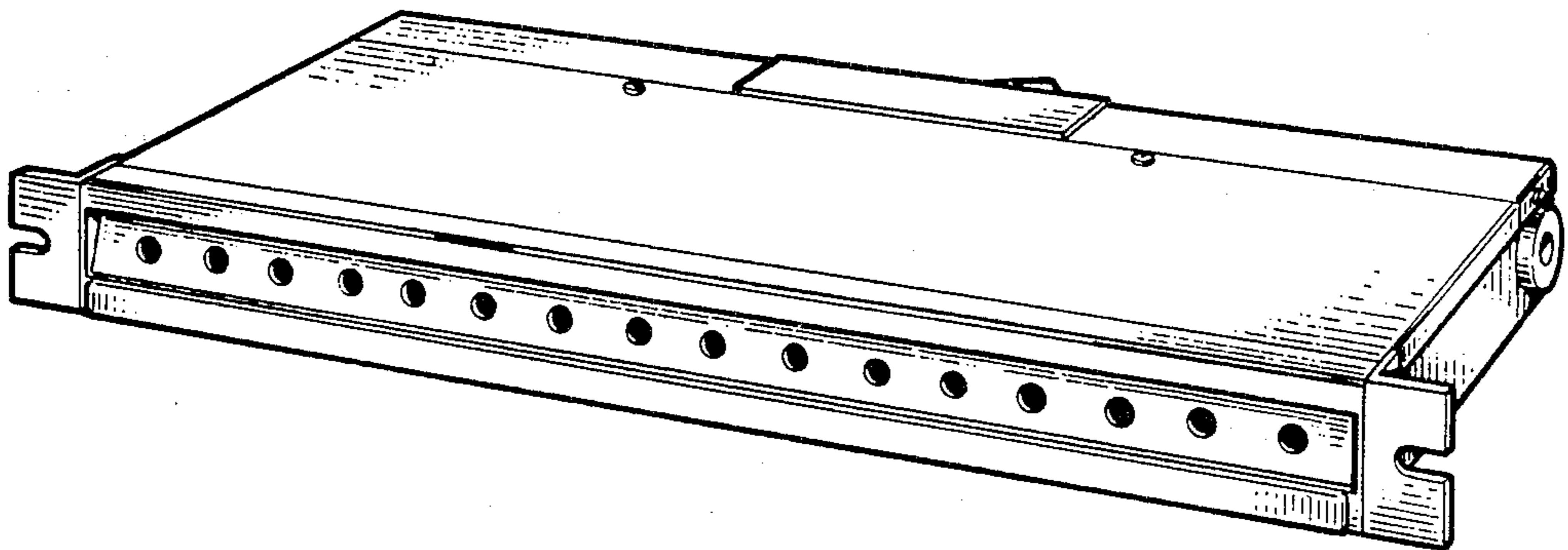


FIG. 1

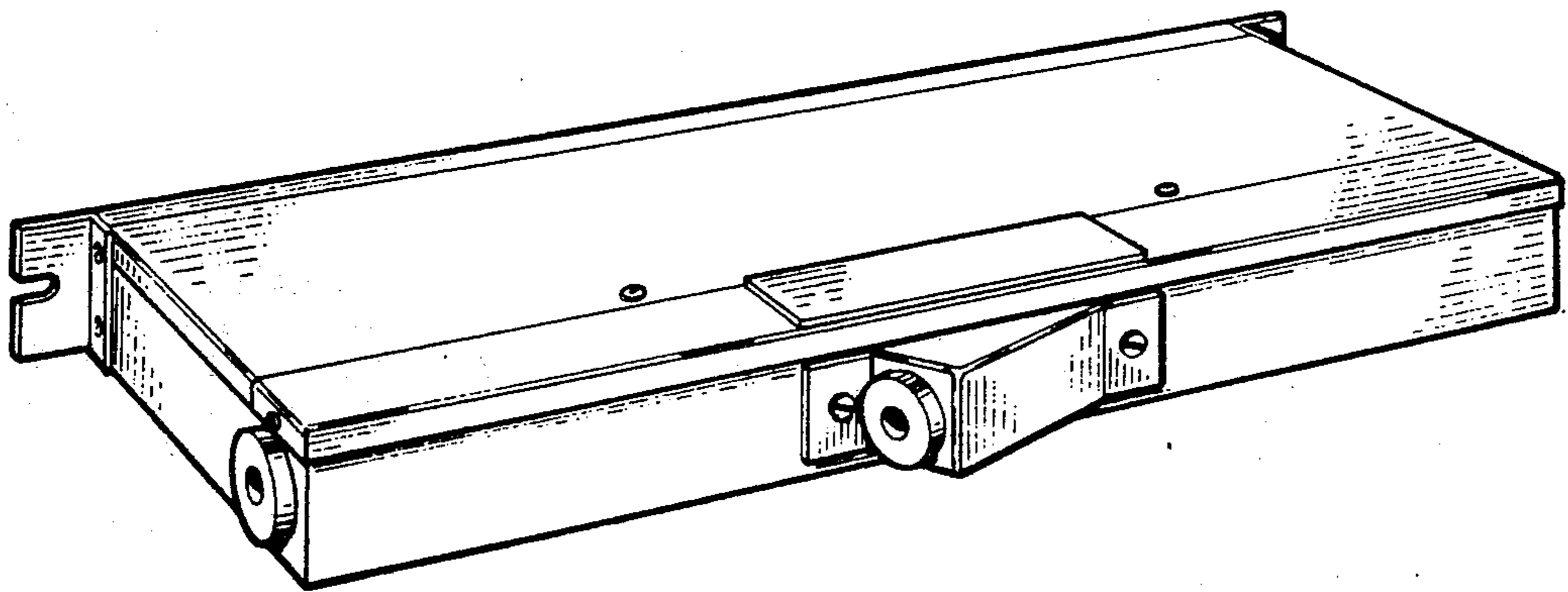


FIG. 2