

[54] MOTORCYCLE TIRE

[75] Inventor: Kazushige Ikeda, Hyogo, Japan

[73] Assignee: Sumitomo Rubber Industries, Ltd., Japan

[**] Term: 14 Years

[21] Appl. No.: 765,108

[22] Filed: Aug. 13, 1985

[30] Foreign Application Priority Data

Jun. 21, 1985 [JP] Japan 60-26553

[52] U.S. Cl. D12/145

[58] Field of Search D12/145-151; 152/209 R, 209 D

[56] References Cited

U.S. PATENT DOCUMENTS

- D. 261,877 11/1981 Sato et al. D12/145
- D. 269,865 7/1983 Tomoda D12/145

OTHER PUBLICATIONS

1985 Tread Design Guide, p. 233, Yokohama Y995 Street Tire, second row down from top & second tire in from left side of page.

Primary Examiner—James M. Gandy
Attorney, Agent, or Firm—Birch, Stewart, Kolasch & Birch

CLAIM

[57] The ornamental design for a motorcycle tire, as shown and described.

DESCRIPTION

FIG. 1 is a perspective view of a motorcycle tire showing my new design it being understood that the tread patterns repeated uniformly throughout the circumference of the tire and the opposite side is the same as that shown;

FIG. 2 is a front elevational view thereof; and
FIG. 3 is a side elevational view thereof.

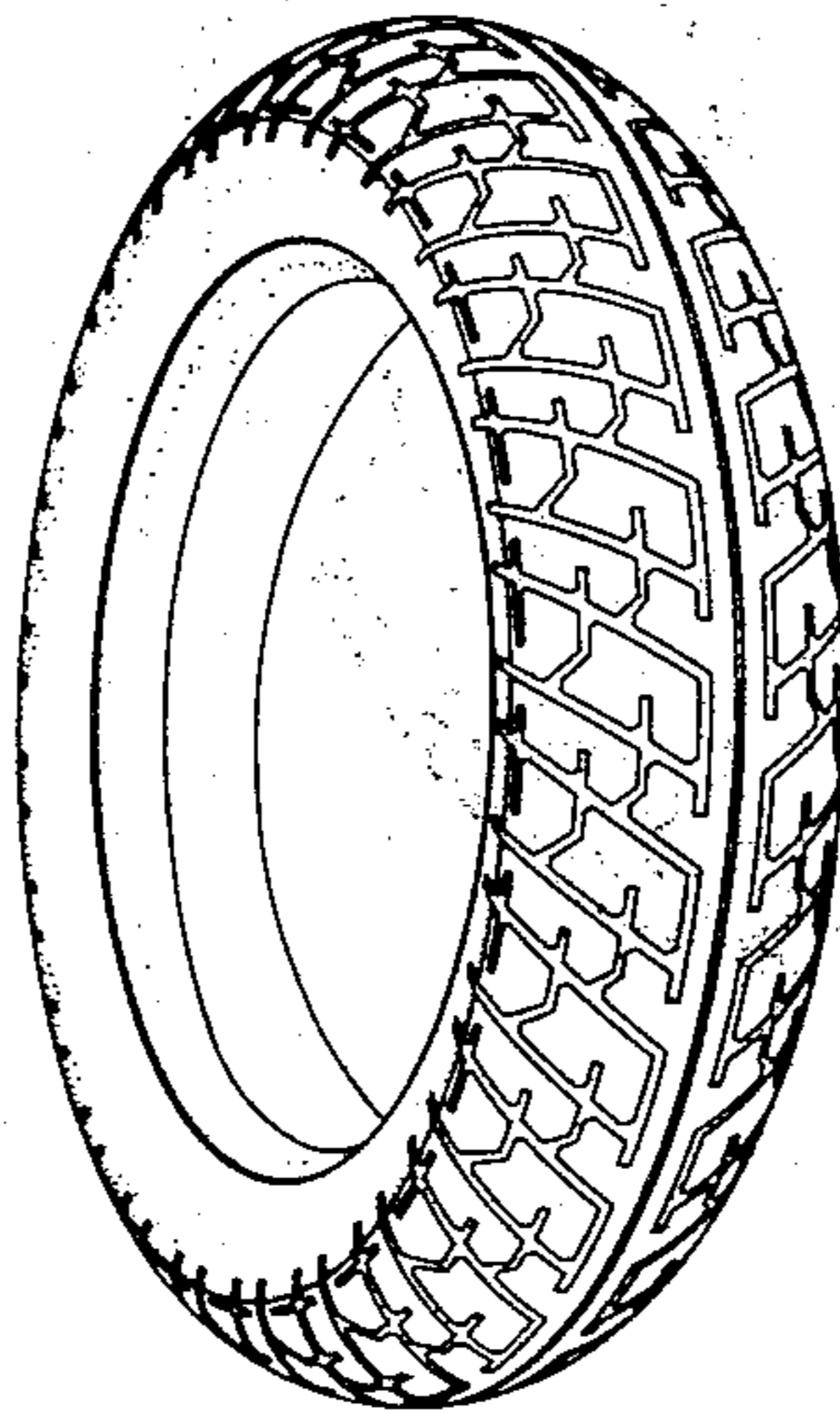


FIG. 1

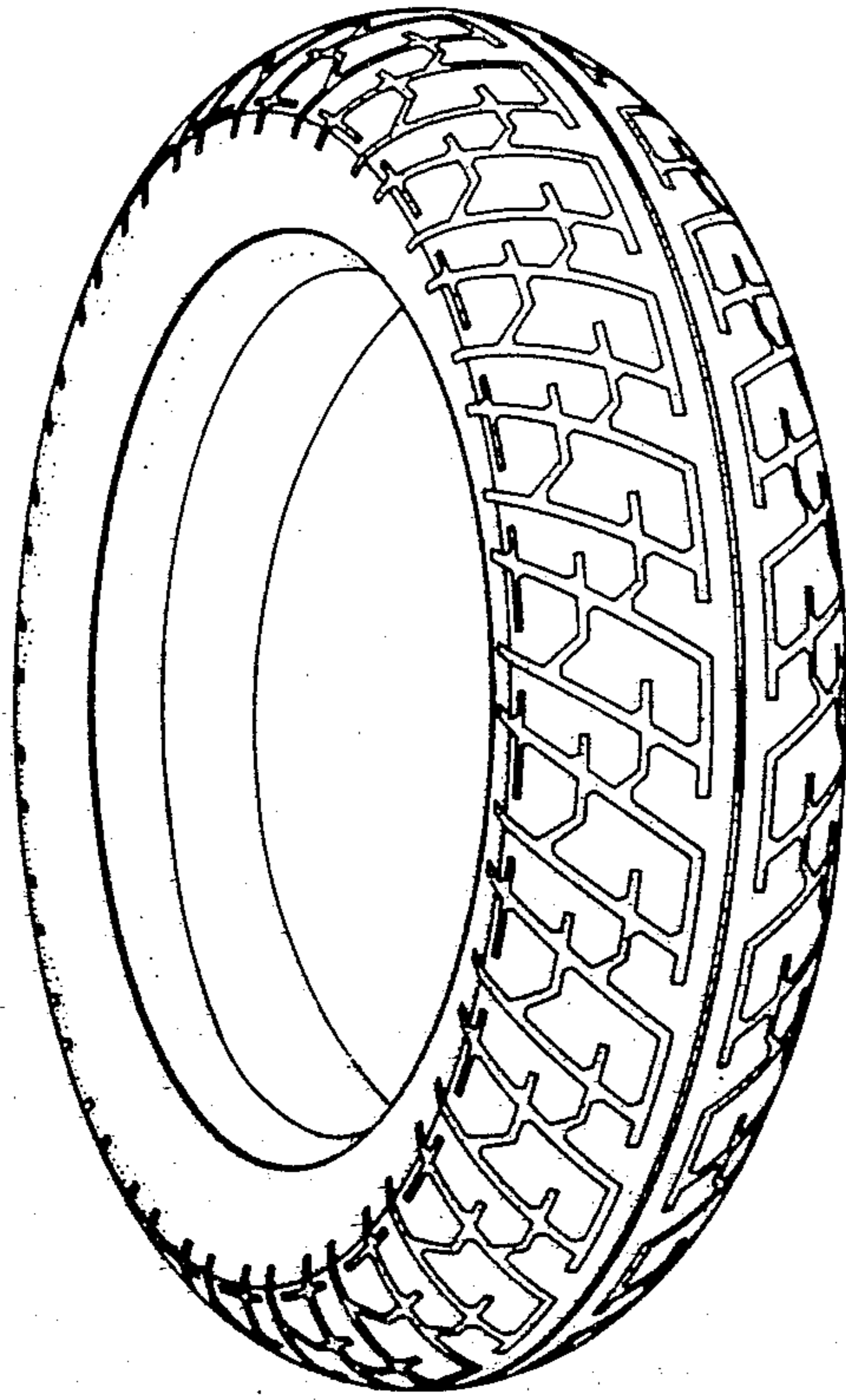


FIG. 2

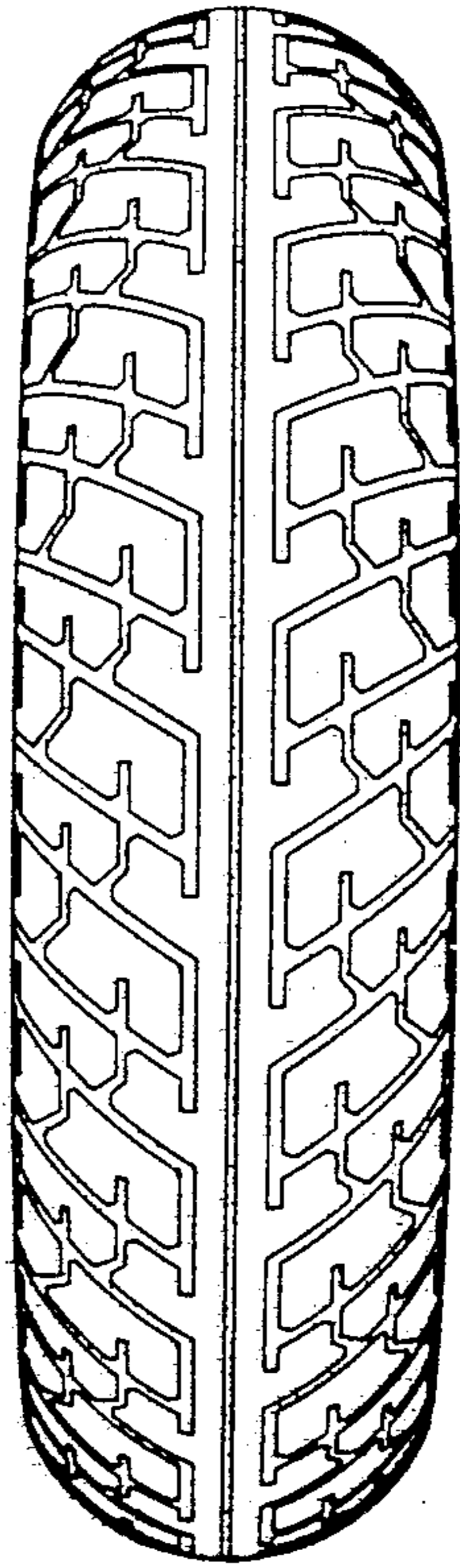


FIG. 3

