

[54] WALKER

[75] Inventor: Gilbert E. Peters, Ladysmith, Wis.

[73] Assignee: Theraped, Inc., Ladysmith, Wis.

[**] Term: 14 Years

[21] Appl. No.: 707,891

[22] Filed: Mar. 6, 1985

[52] U.S. Cl. D12/130; D6/339

[58] Field of Search D12/130, 128, 132, 131; D6/356, 333, 339; 297/DIG. 3, 6, 5; 280/42, 647, 650, 649; 272/70, 70.3

[56]

References Cited

U.S. PATENT DOCUMENTS

2,374,182	4/1945	Duke	D12/130
3,180,678	4/1965	McCabe	272/70.3
3,993,349	11/1976	Neufeld et al.	272/70.3
4,046,374	9/1977	Breyley	272/70.3
4,277,100	7/1981	Beougher	272/70.3
4,623,163	11/1986	Potts	297/5

FOREIGN PATENT DOCUMENTS

2127705 4/1984 United Kingdom 272/70

Primary Examiner—James M. Gandy
Assistant Examiner—Kay H. Chin
Attorney, Agent, or Firm—Andrus, Sceales, Starke & Sawall

[57] CLAIM

The ornamental design for a walker, substantially as shown and described.

DESCRIPTION

FIG. 1 is a right side elevation view of a walker showing my new design, the left side elevation view being a mirror image of that shown;

FIG. 2 is a front elevation view thereof;

FIG. 3 is a top plan view thereof;

FIG. 4 is a rear elevation view thereof; and

FIG. 5 is a fragmentary side elevation view taken along lines 5—5 of FIG. 2.

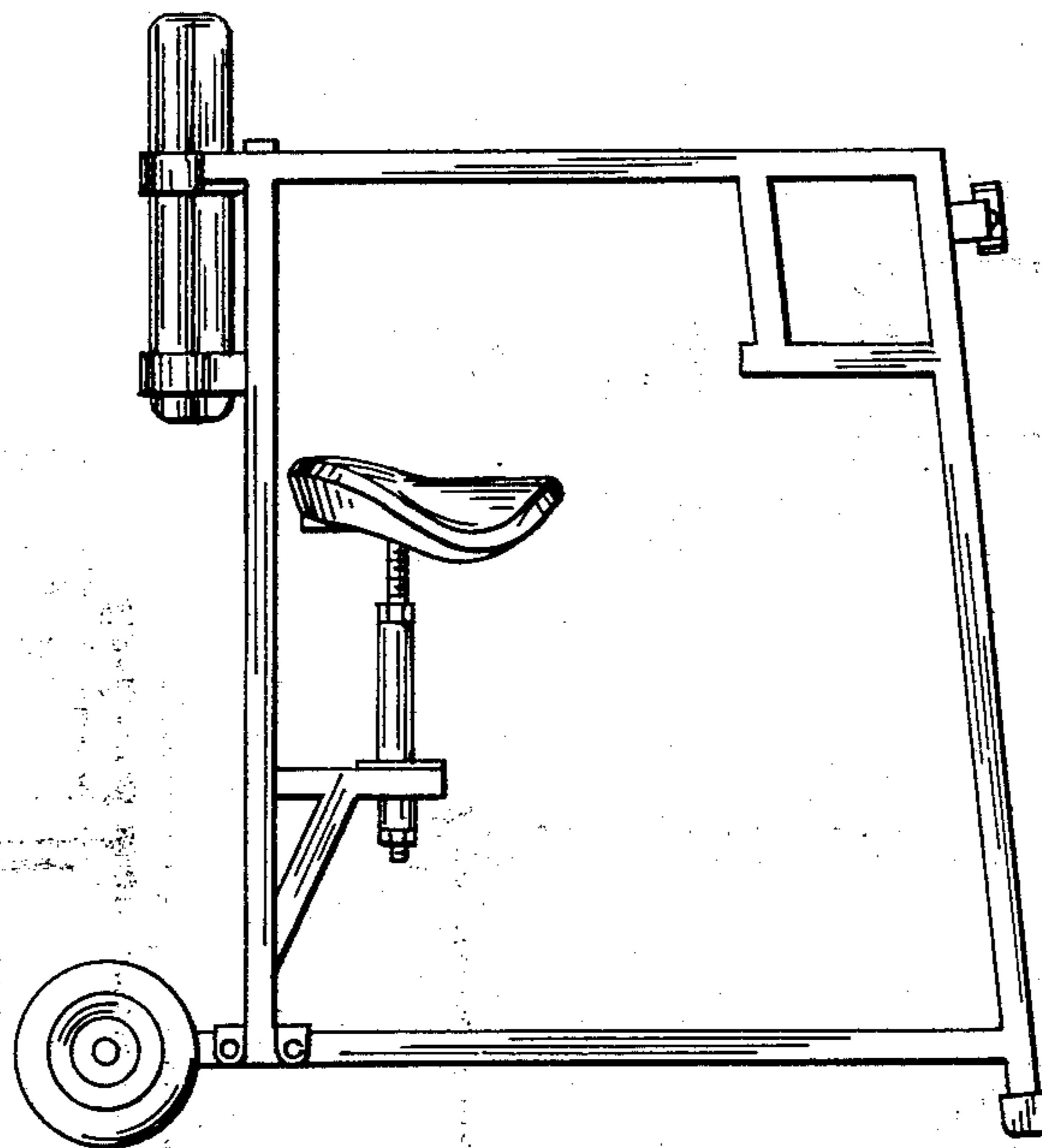


FIG. 1

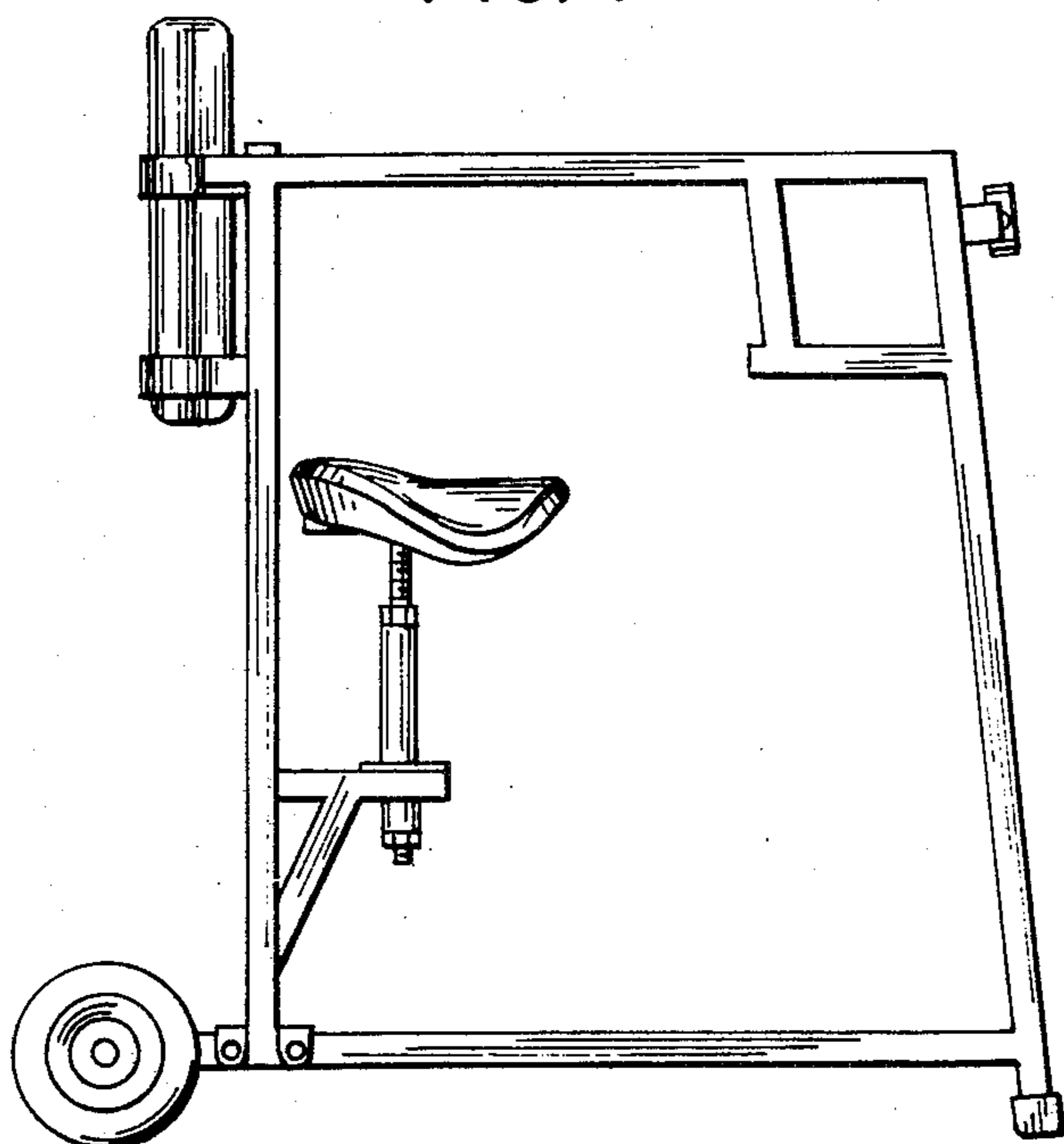


FIG. 2

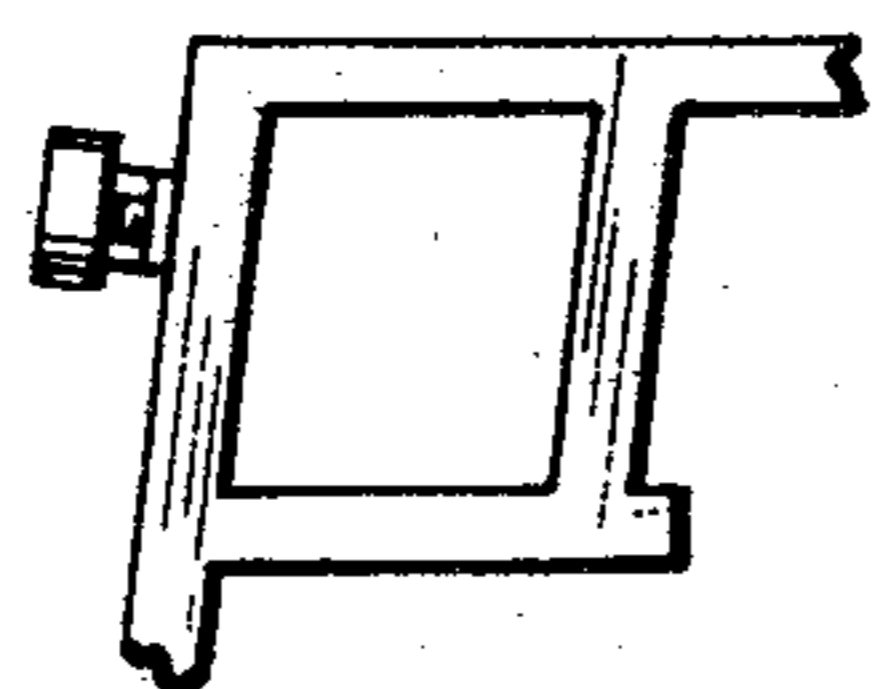
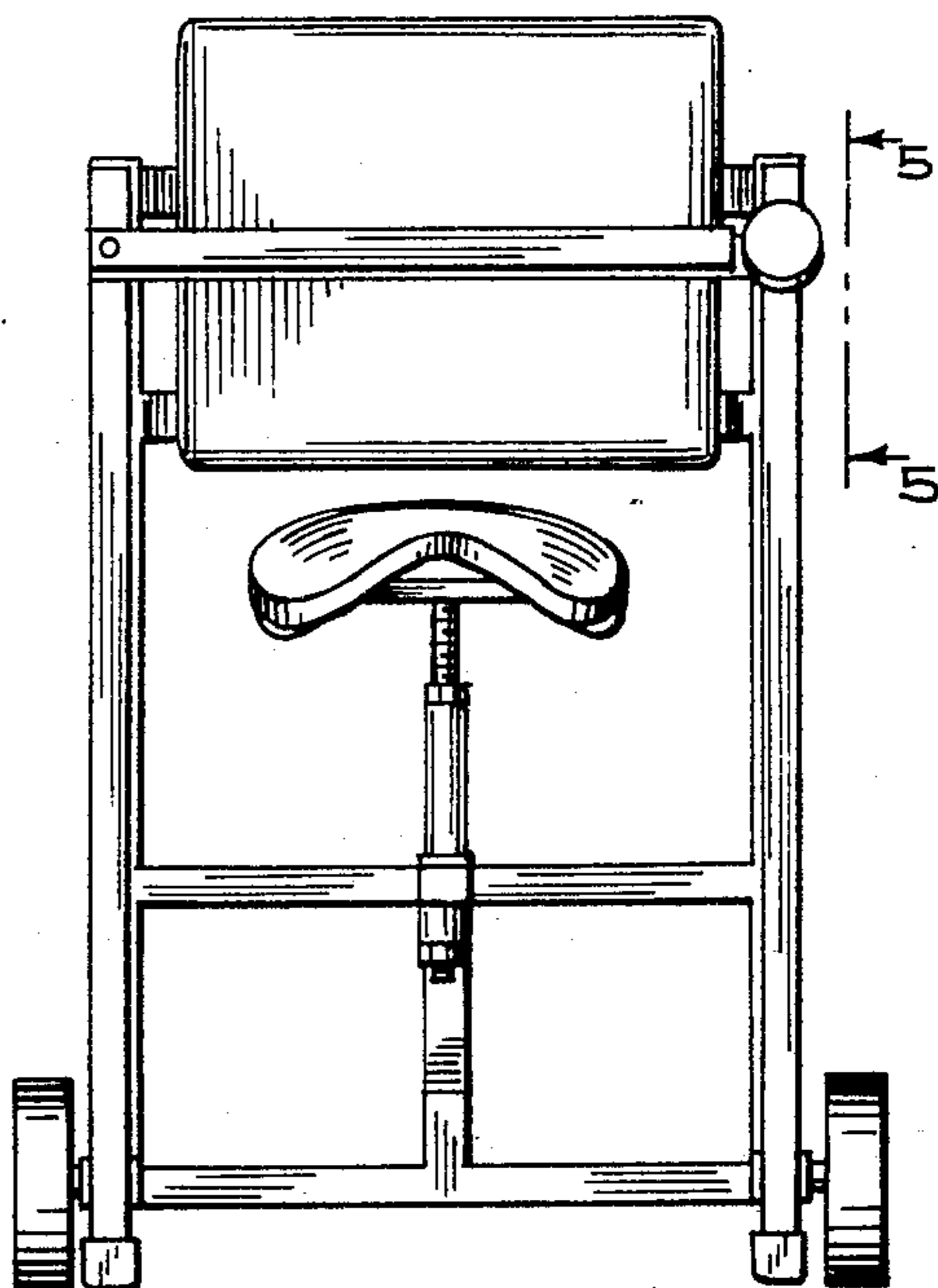


FIG. 5

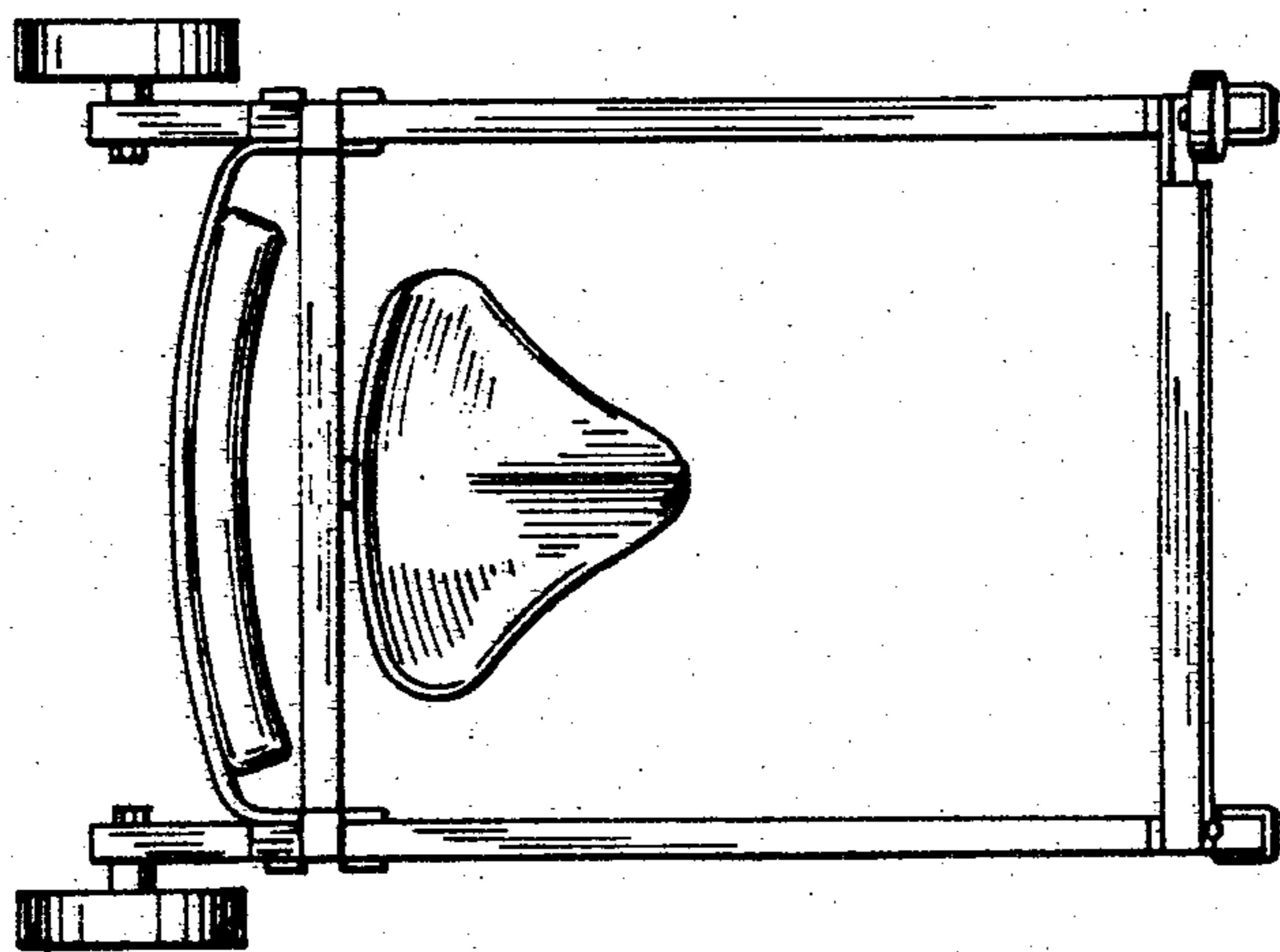


FIG. 3

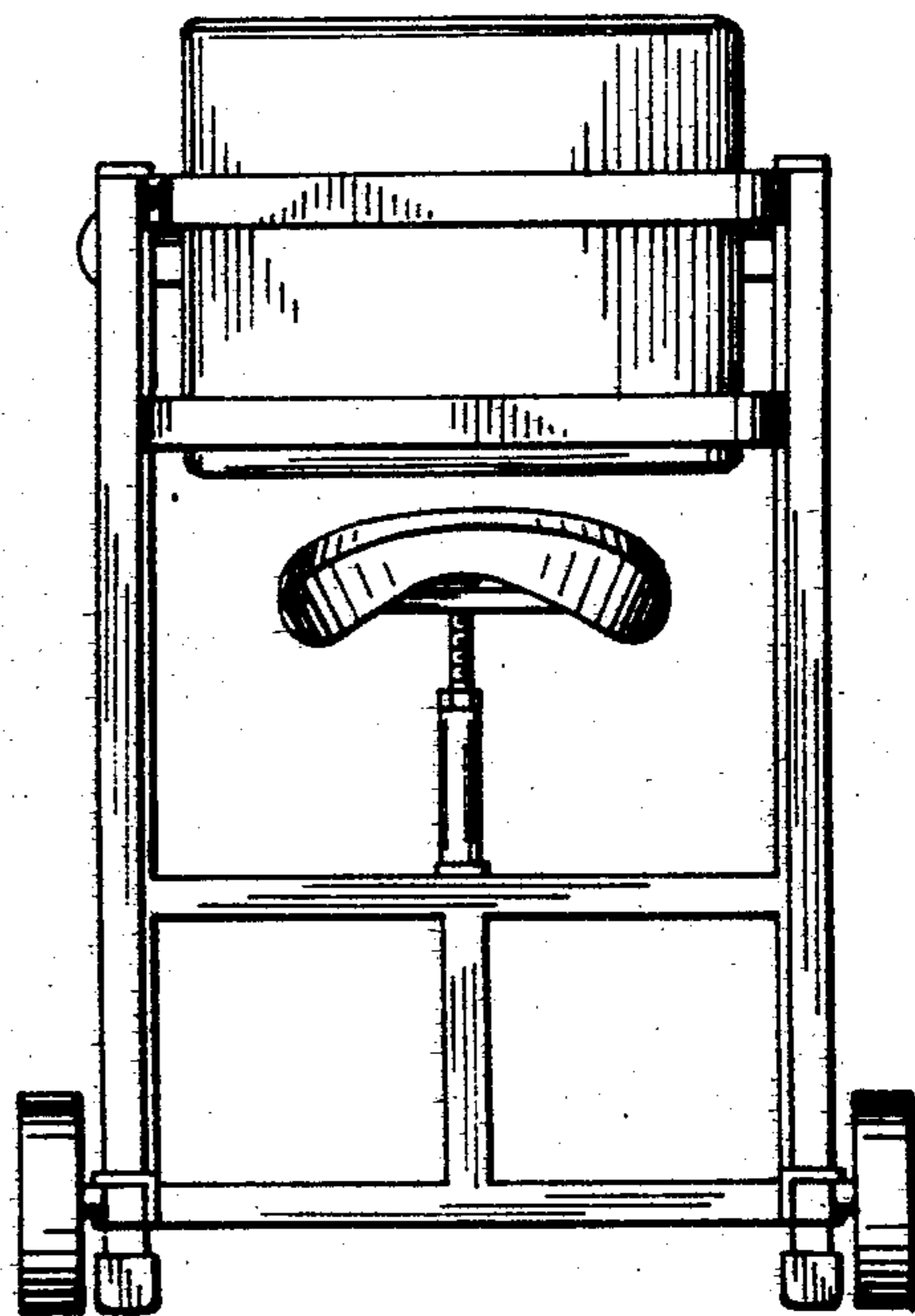


FIG. 4