

[54] TOASTER OVEN

[75] Inventor: William C. Cesaroni, Glenview, Ill.

[73] Assignee: Dart Industries Inc., Deerfield, Ill.

[**] Term: 14 Years

[21] Appl. No.: 781,851

[22] Filed: Sep. 25, 1985

[52] U.S. Cl. D7/350

[58] Field of Search D7/350, 351, 339, 349; 219/391, 393; 126/273 R, 19 M, 275 E

[56] References Cited

U.S. PATENT DOCUMENTS

- D. 222,514 10/1971 Joeckel D7/350
- D. 241,602 9/1976 Hanson D7/350

OTHER PUBLICATIONS

- 1983/1984 Best catalog, p. 242, item 2, "Toastmaster".
- Best catalog, 1980/1981, p. 250, item B, "Toastmaster Model 5242".
- Best catalog, 1982/1983, p. 196, item 5, "Toastmaster Countertop Oven".

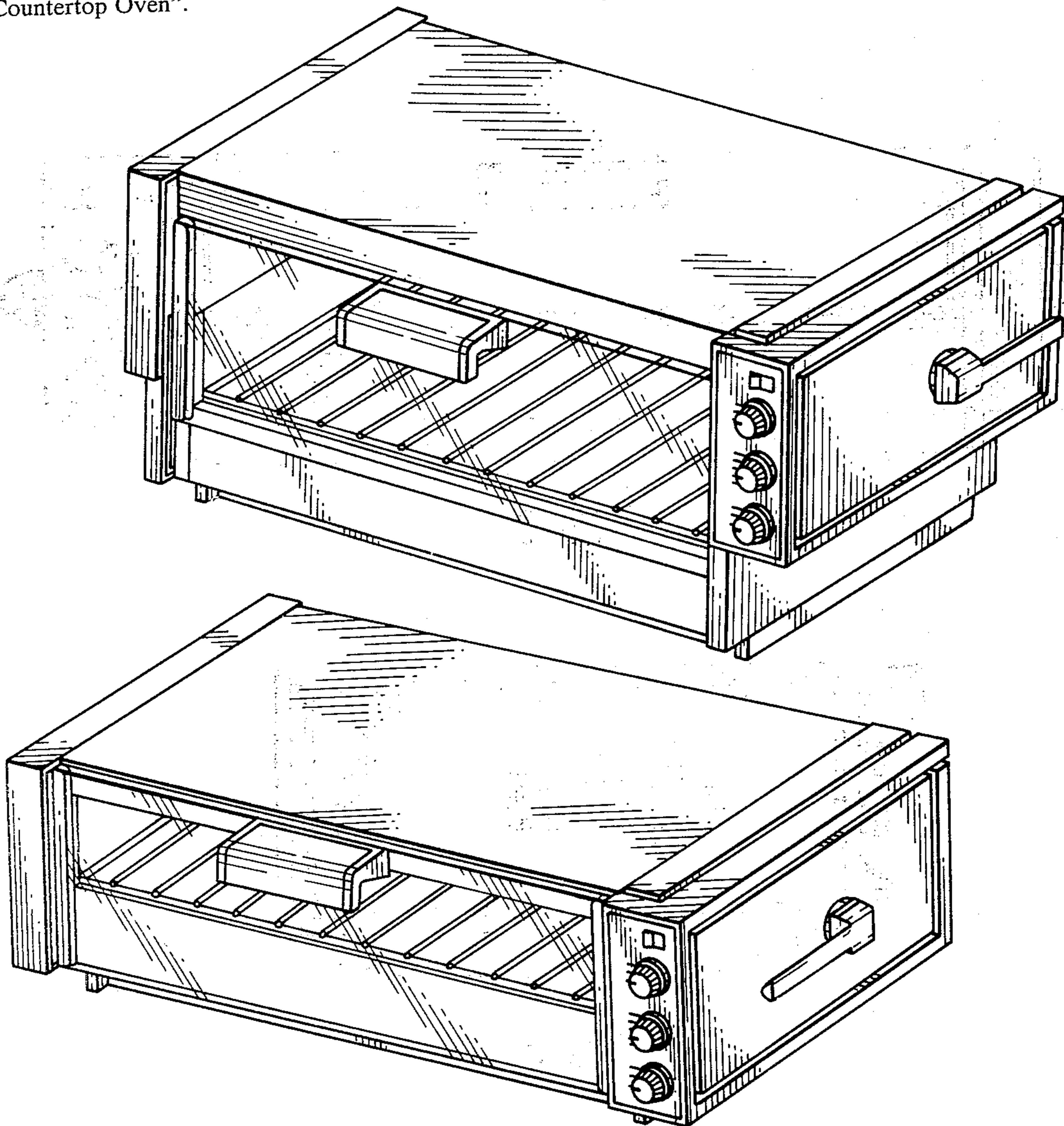
Primary Examiner—Wallace R. Burke
Assistant Examiner—Ruth E. Takemoto
Attorney, Agent, or Firm—Gregory J. Mancuso

[57] CLAIM

The ornamental design for a toaster oven, substantially as shown.

DESCRIPTION

FIG. 1 is a front perspective view of a toaster oven showing our new design;
 FIG. 2 is a front elevational view thereof;
 FIG. 3 is a side elevational view thereof, the opposite side being a mirror image;
 FIG. 4 is a rear elevational view thereof;
 FIG. 5 is a top plan view thereof;
 FIG. 6 is a bottom plan view thereof.
 FIG. 7 is a front perspective view thereof, of a second embodiment;
 FIG. 8 is a front elevational view thereof;
 FIG. 9 is a side elevational view thereof, the opposite side being a mirror image; and
 FIG. 10 is a rear elevational view thereof.
 The undisclosed top of the second embodiment is the same as FIG. 5.



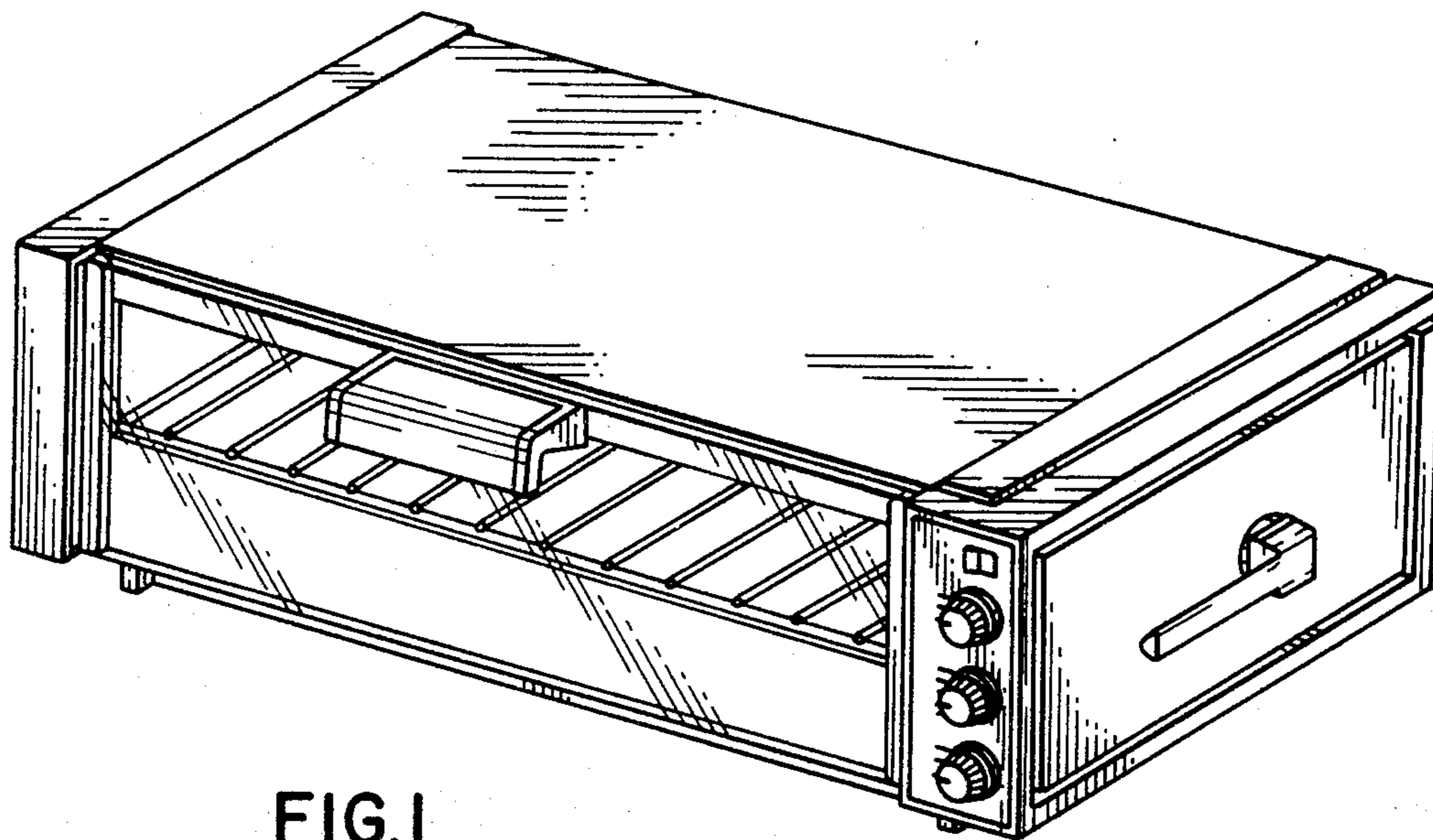


FIG. 1

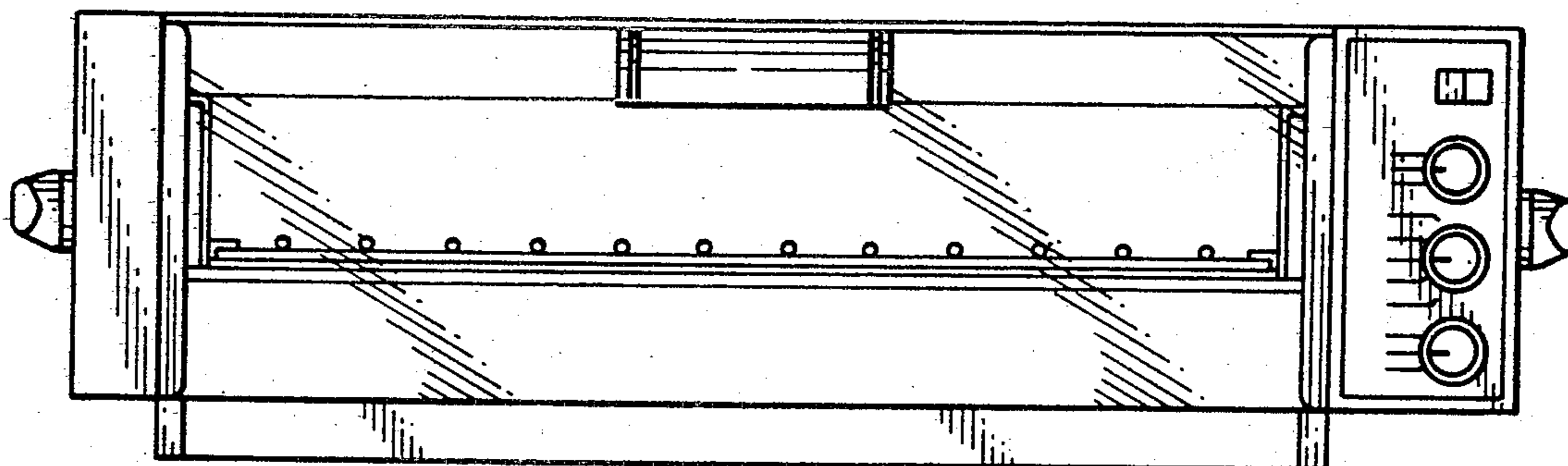


FIG. 2

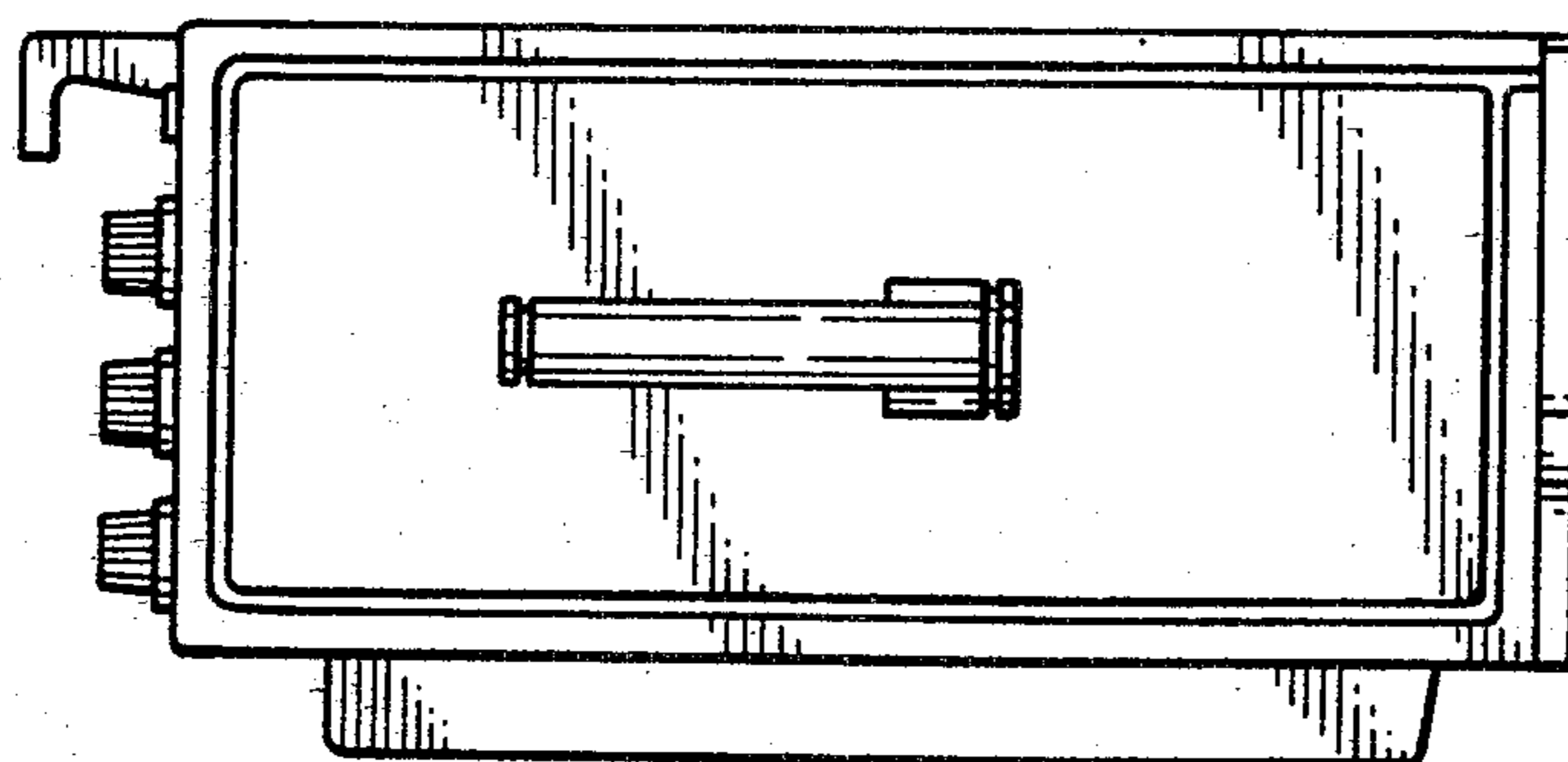


FIG. 3

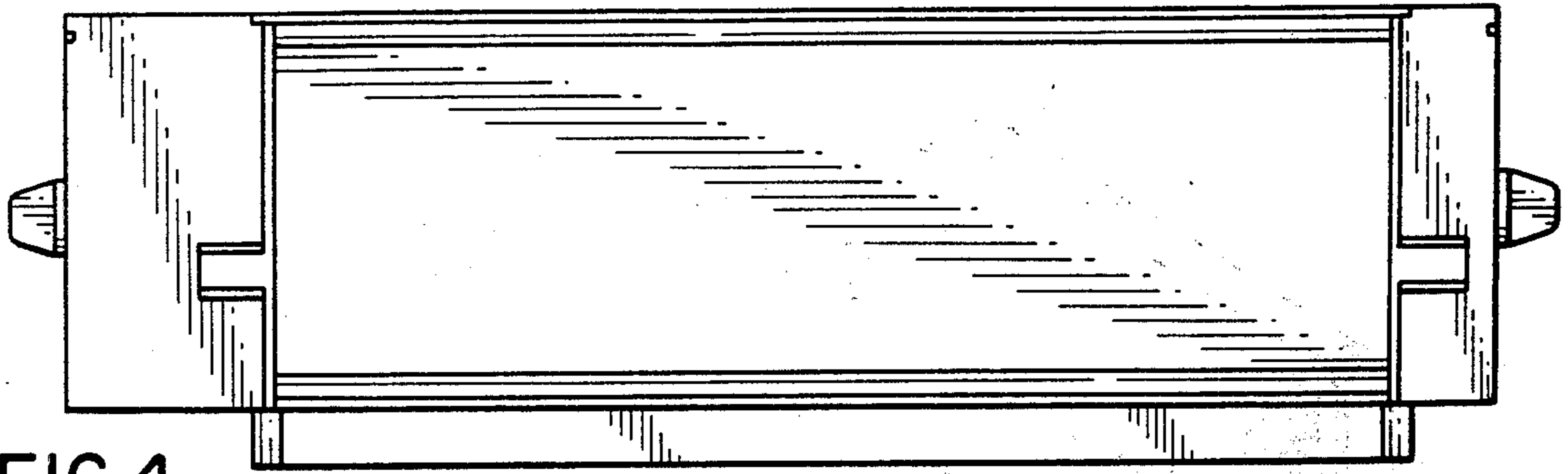


FIG. 4

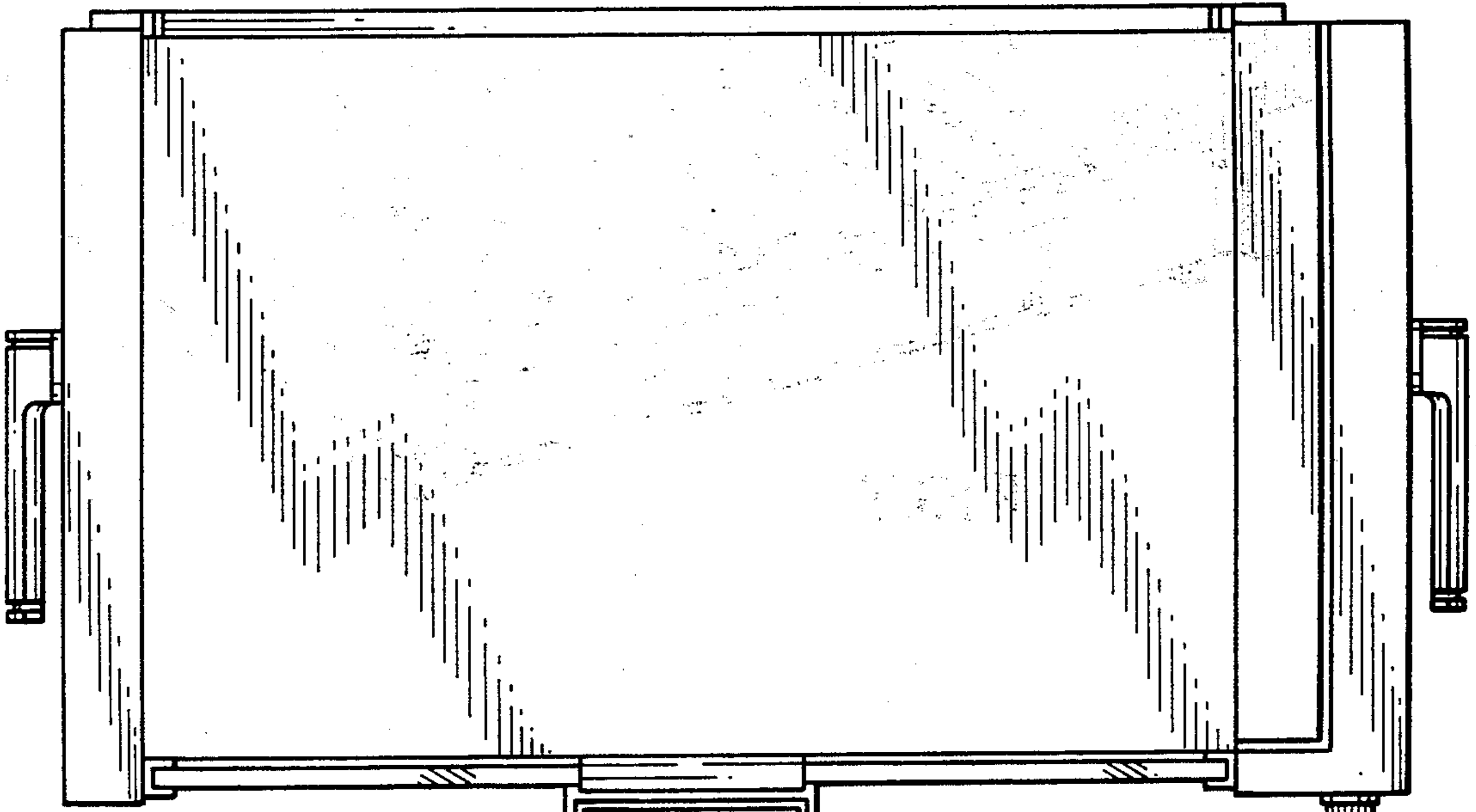


FIG. 5

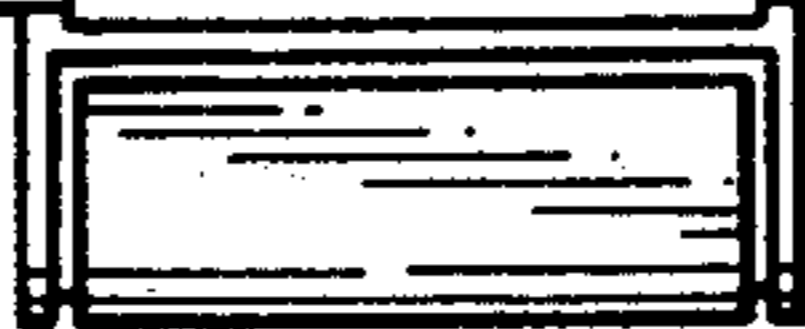
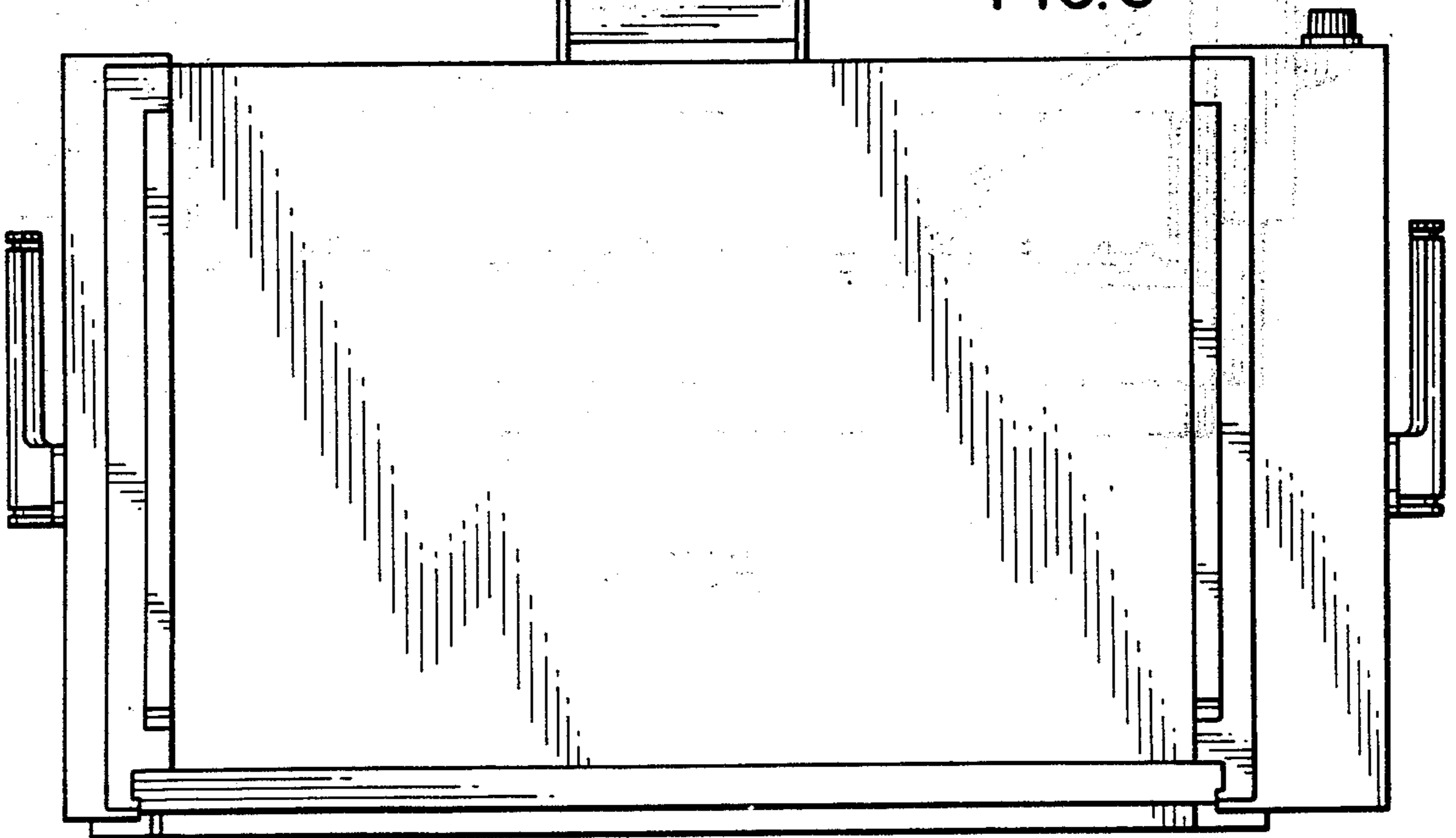


FIG. 6



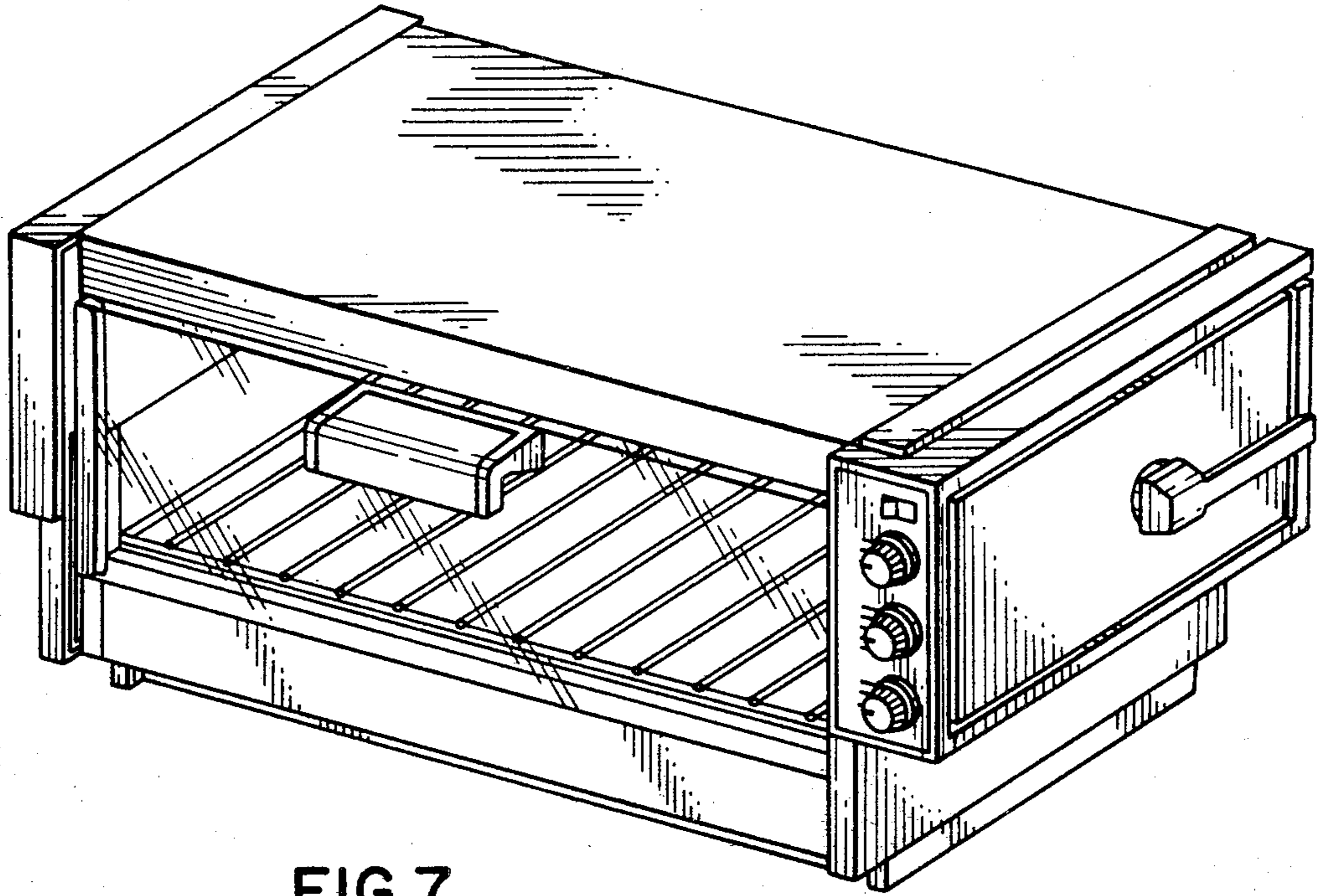


FIG. 7

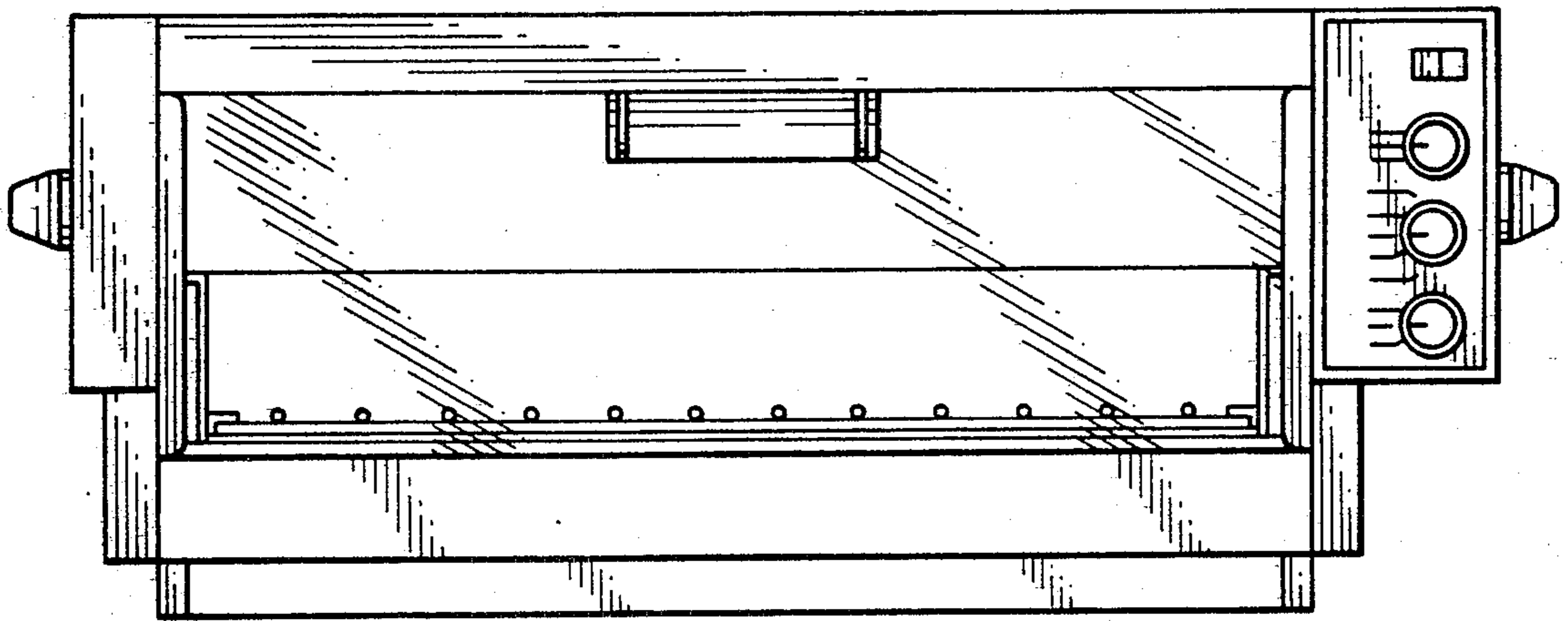


FIG. 8

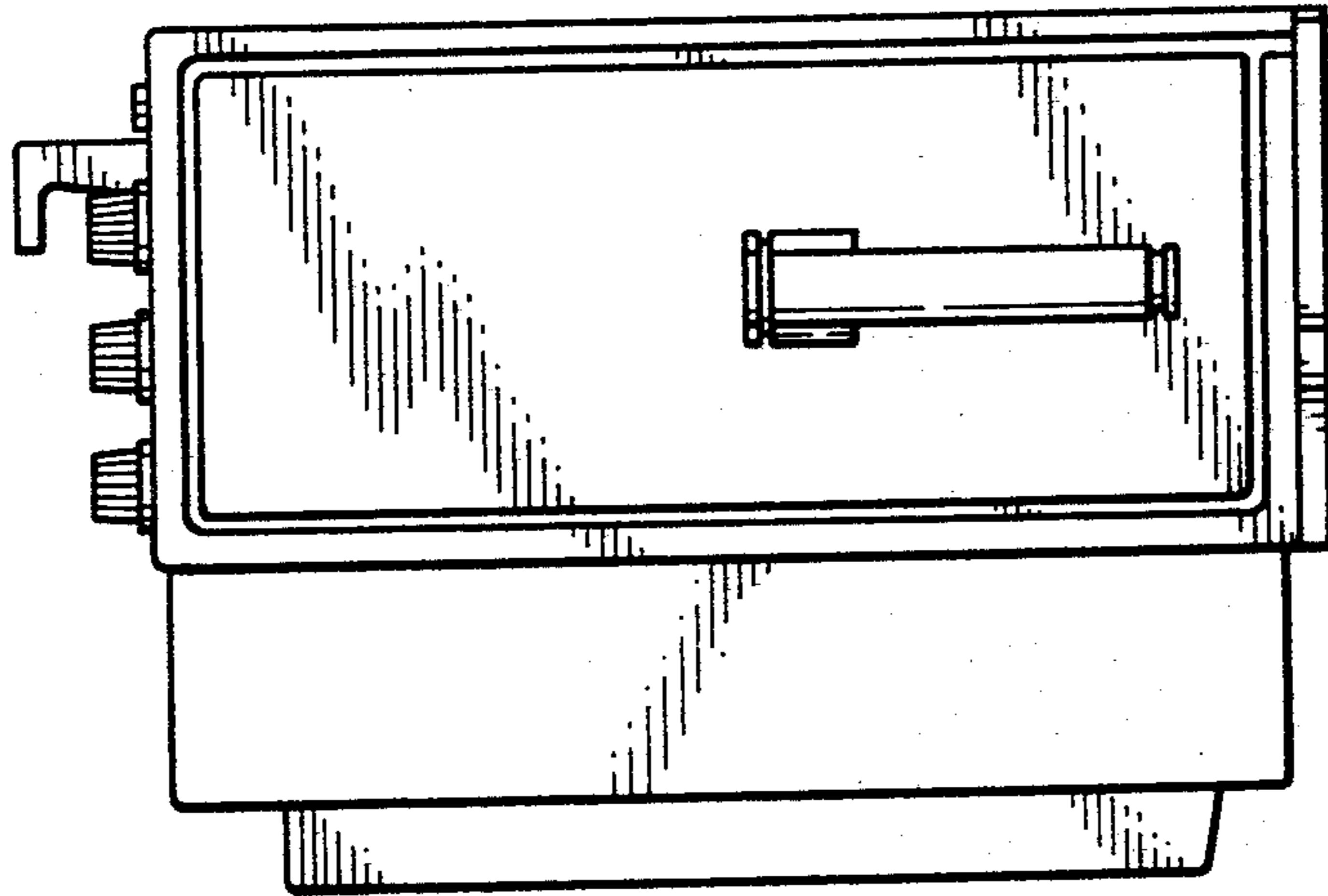


FIG. 9

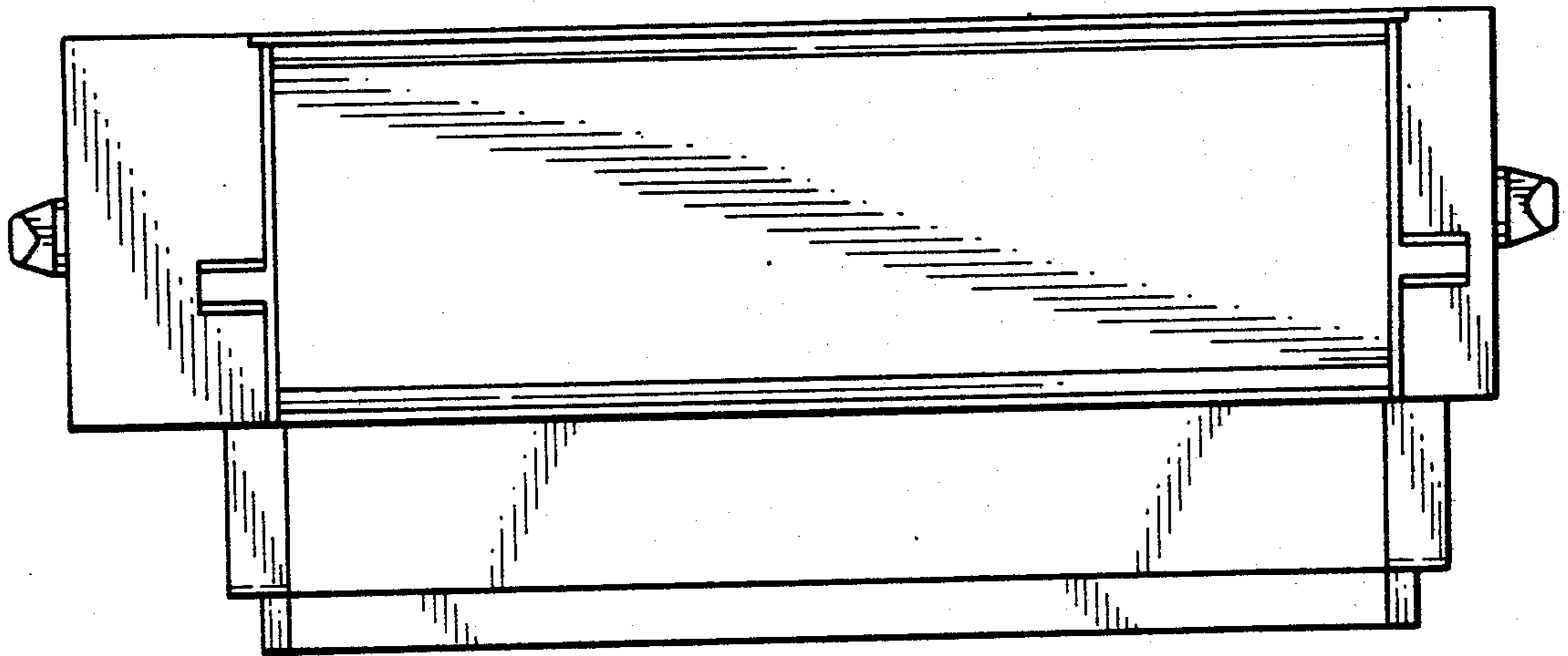


FIG. 10