

[54] SIX PACK BEVERAGE COOLER

4,266,407 5/1981 Gibson 62/371

[76] Inventor: John R. Beal, R.R. #3, Box 314,
Cannon Falls, Minn. 55009

Primary Examiner—Bernard Ansher
Assistant Examiner—Terry Pfeffer
Attorney, Agent, or Firm—Don E. Ferrell

[**] Term: 14 Years

[57] CLAIM

[21] Appl. No.: 654,553

The ornamental design for six pack beverage cooler, as shown and described.

[22] Filed: Sep. 26, 1984

[52] U.S. Cl. D7/77

[58] Field of Search D7/76, 77; 62/371-372,
62/457; D9/341, 345, 432

DESCRIPTION

[56] References Cited

U.S. PATENT DOCUMENTS

- D. 169,220 3/1953 Polglase D9/341
- D. 183,567 9/1958 Hagan D9/432
- D. 263,176 3/1982 Harrington D3/71
- D. 274,397 6/1984 Hill D7/77
- 3,330,408 7/1967 Wanderer D9/341 X

FIG. 1 is a perspective view of a six pack beverage cooler showing my new design;
FIG. 2 is a perspective view thereof when opened;
FIG. 3 is a top plan view thereof;
FIG. 4 is a bottom plan view thereof;
FIG. 5 is a right side elevational view thereof;
FIG. 6 is a left side elevational view thereof;
FIG. 7 is a front end elevational view thereof; and,
FIG. 8 is a rear end elevational view thereof.

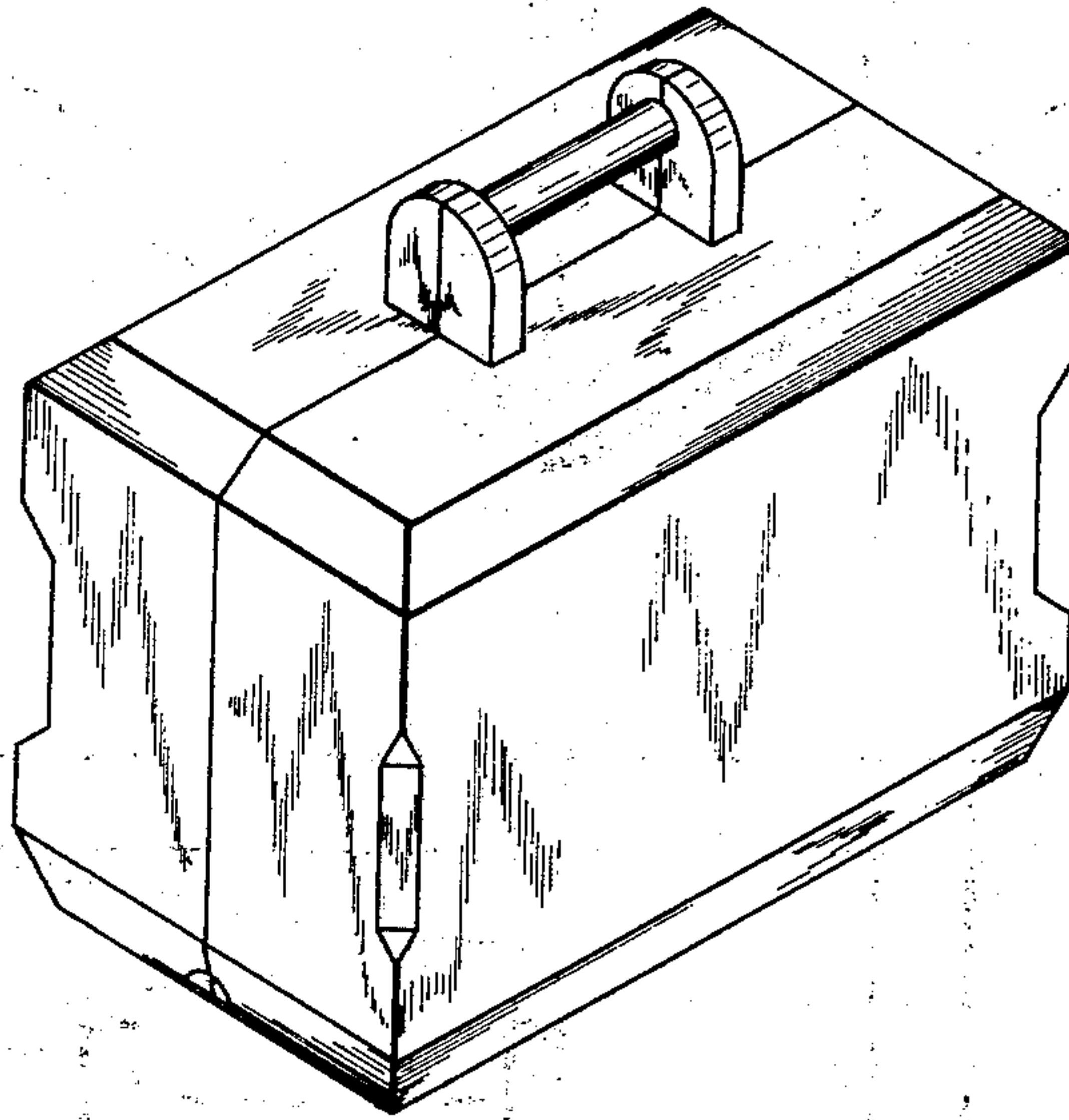


FIG 1

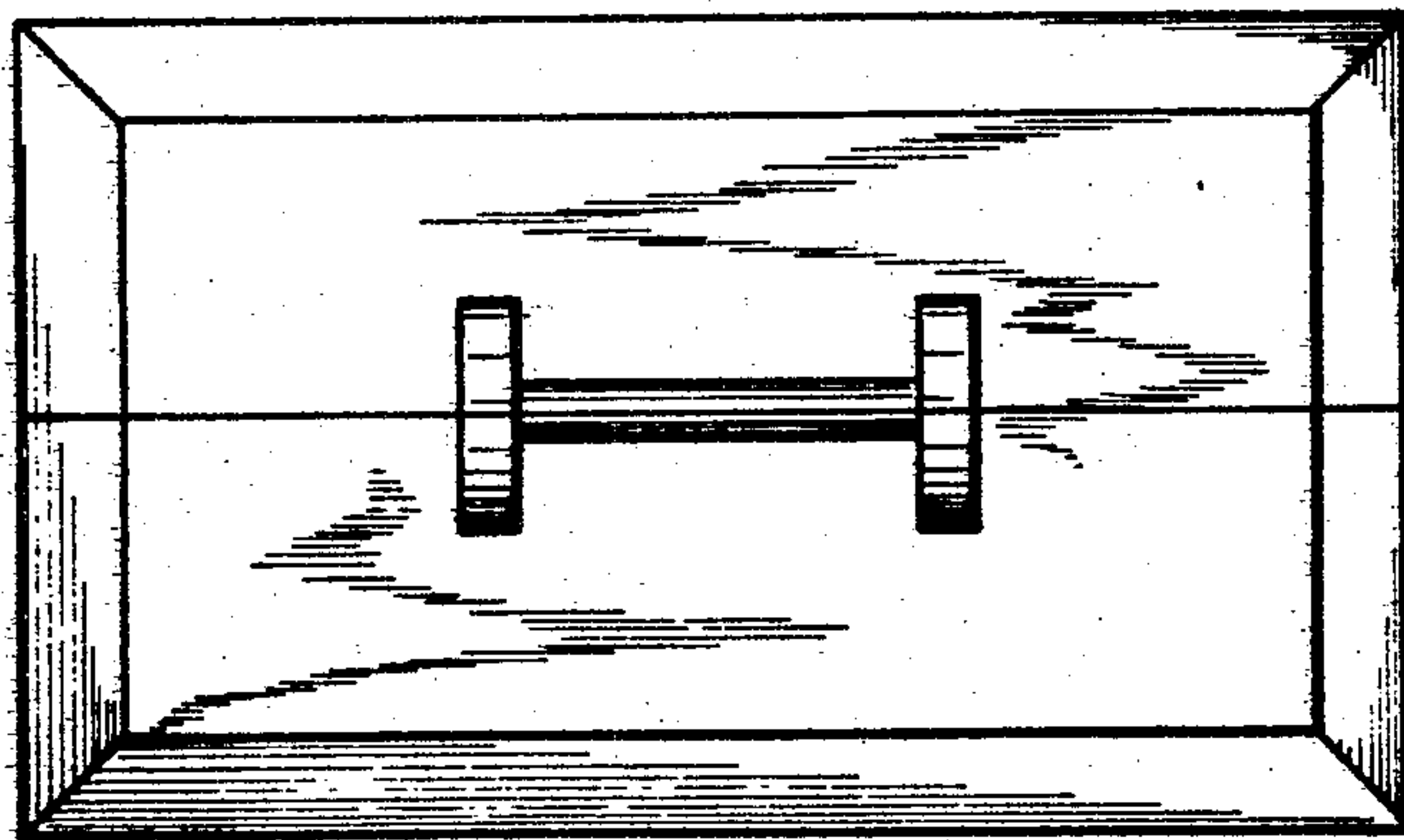
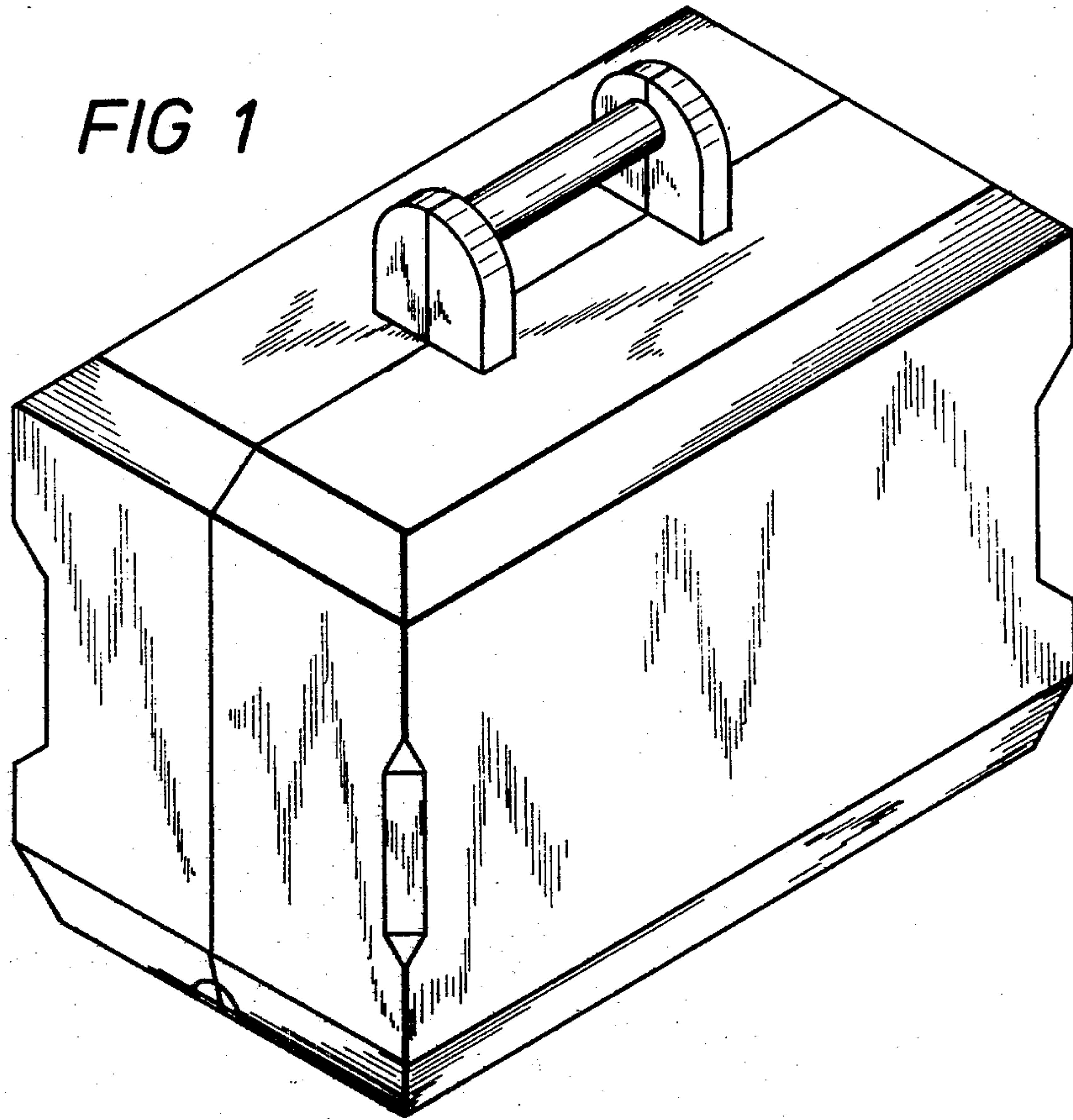
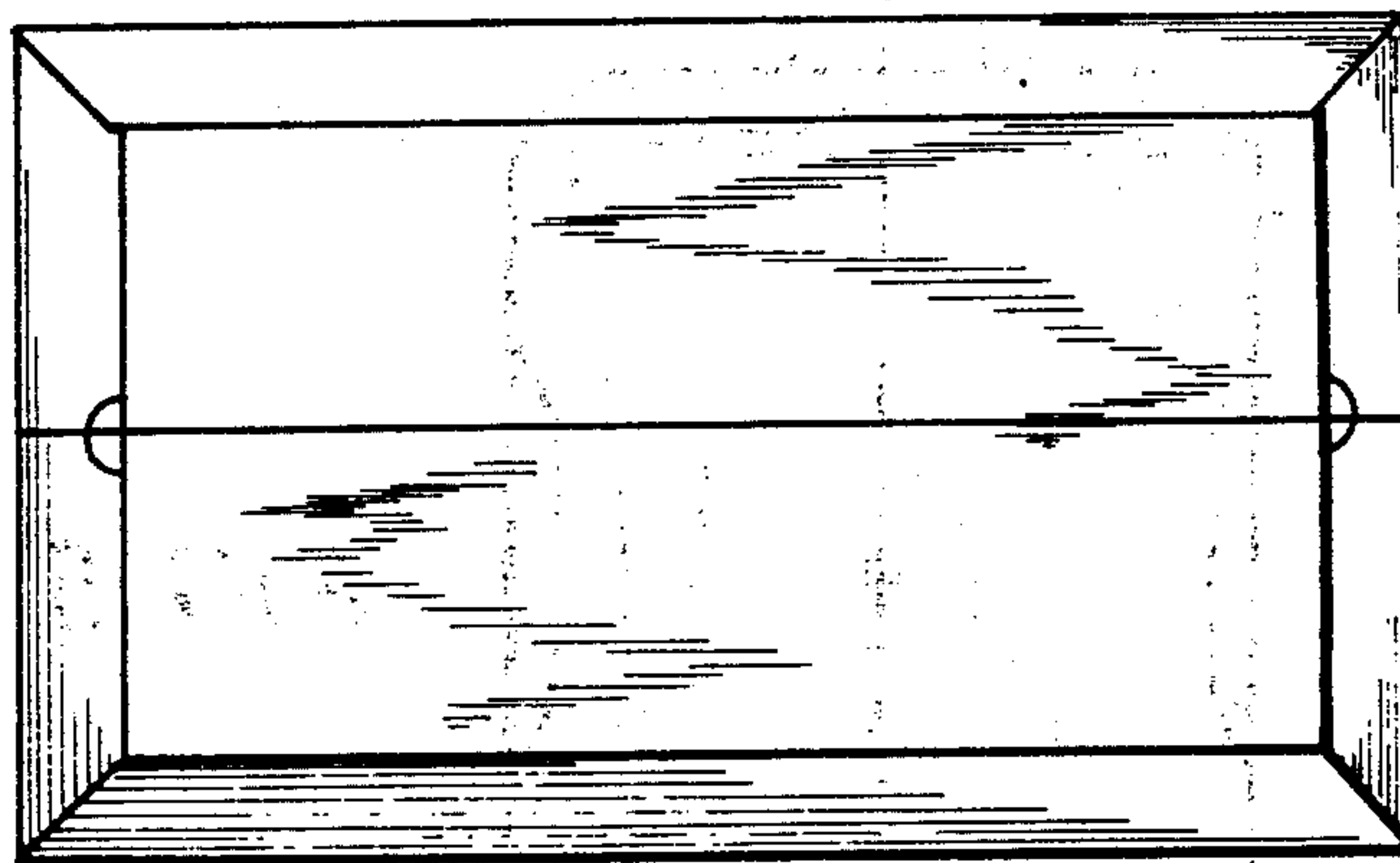
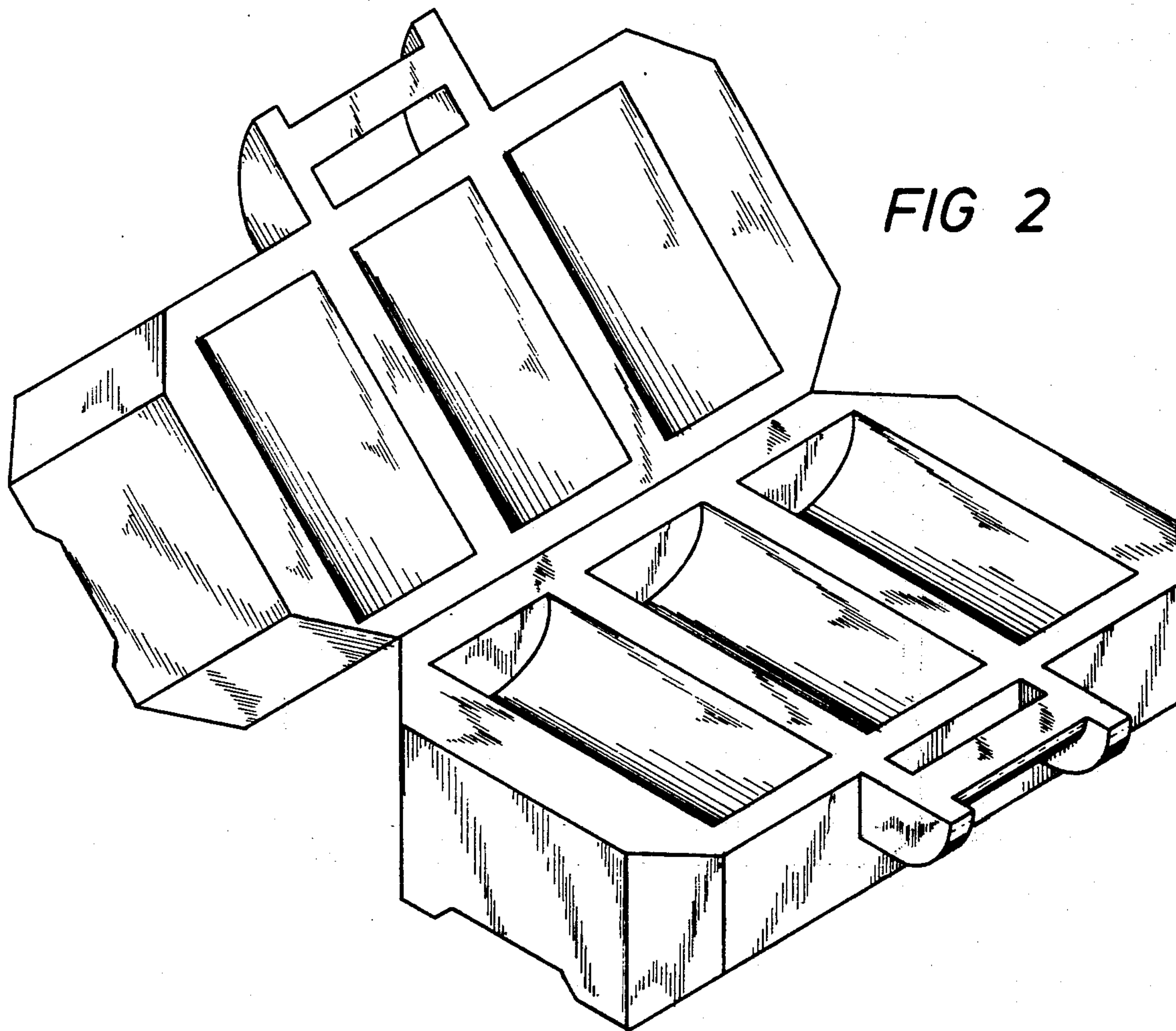


FIG 3



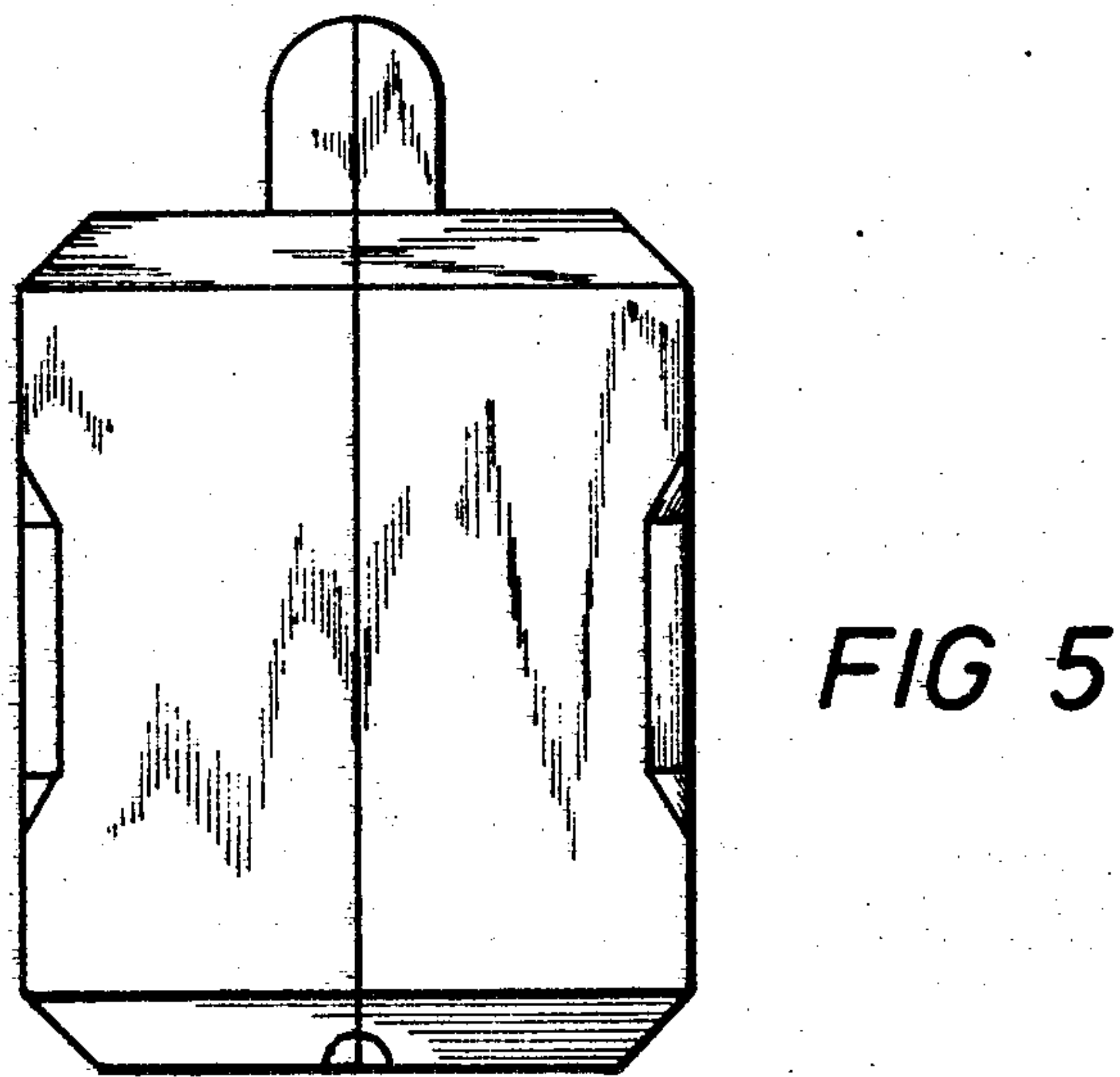
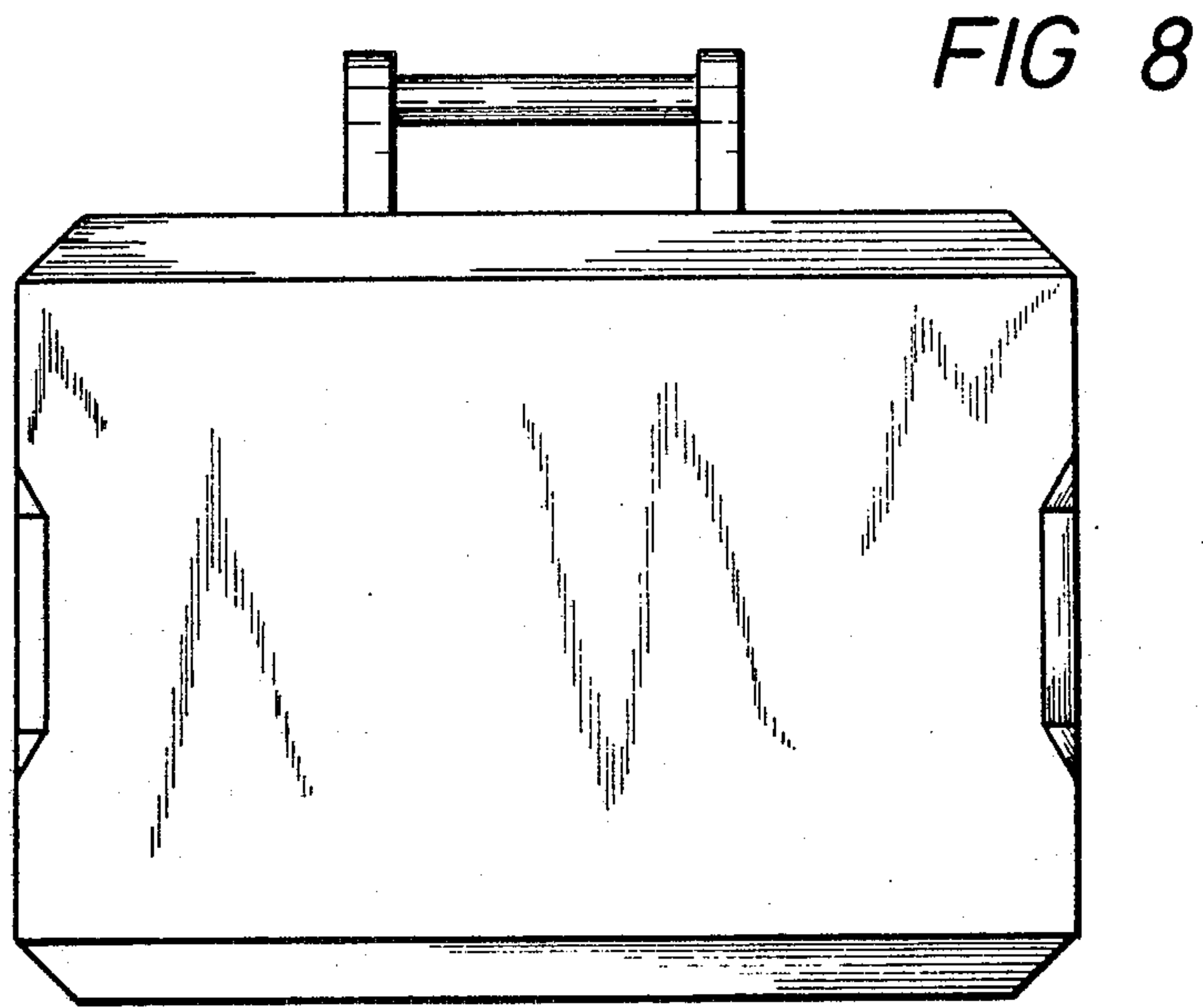


FIG 7

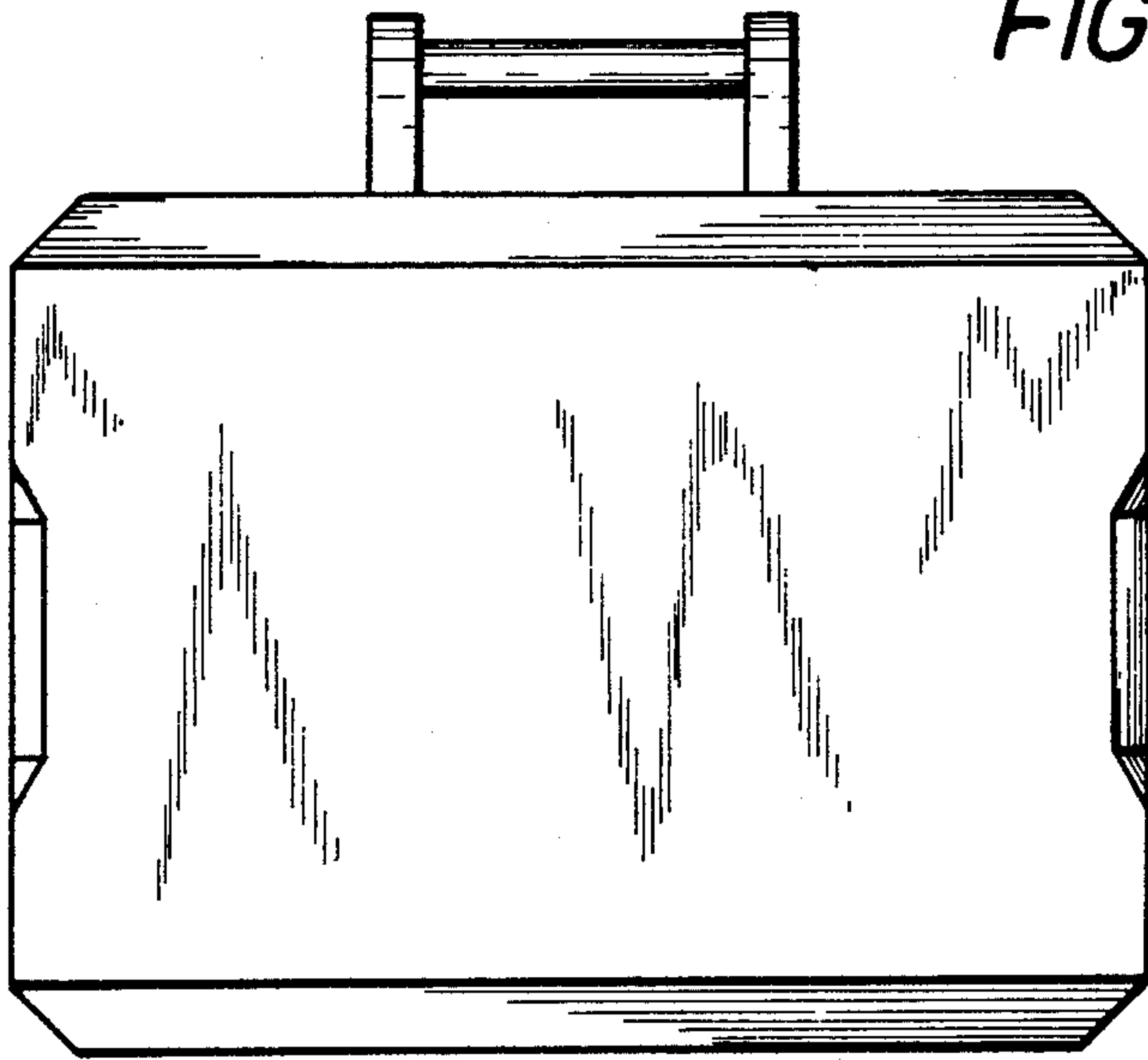


FIG 6

