

[54] CONTAINER HAVING AN ACCESSORY BAG THEREON

[75] Inventors: Joseph A. Decker, Jr., Katy; Joseph F. Fiore, Jr.; Stanley A. Katz, both of Houston, all of Tex.

[73] Assignee: Igloo Corporation, Houston, Tex.

[**] Term: 14 Years

[21] Appl. No.: 732,347

[22] Filed: May 8, 1985

[52] U.S. Cl. D7/77

[58] Field of Search D7/76, 77; D3/71, 48; 62/457, 371, 529, 530; 220/902, 410; 206/546

[56] References Cited PUBLICATIONS

Best catalog, '83-'84, p. 418, Cooler, item #8.
Best catalog, 83-84, p. 419, Lunch Bag, item #34.

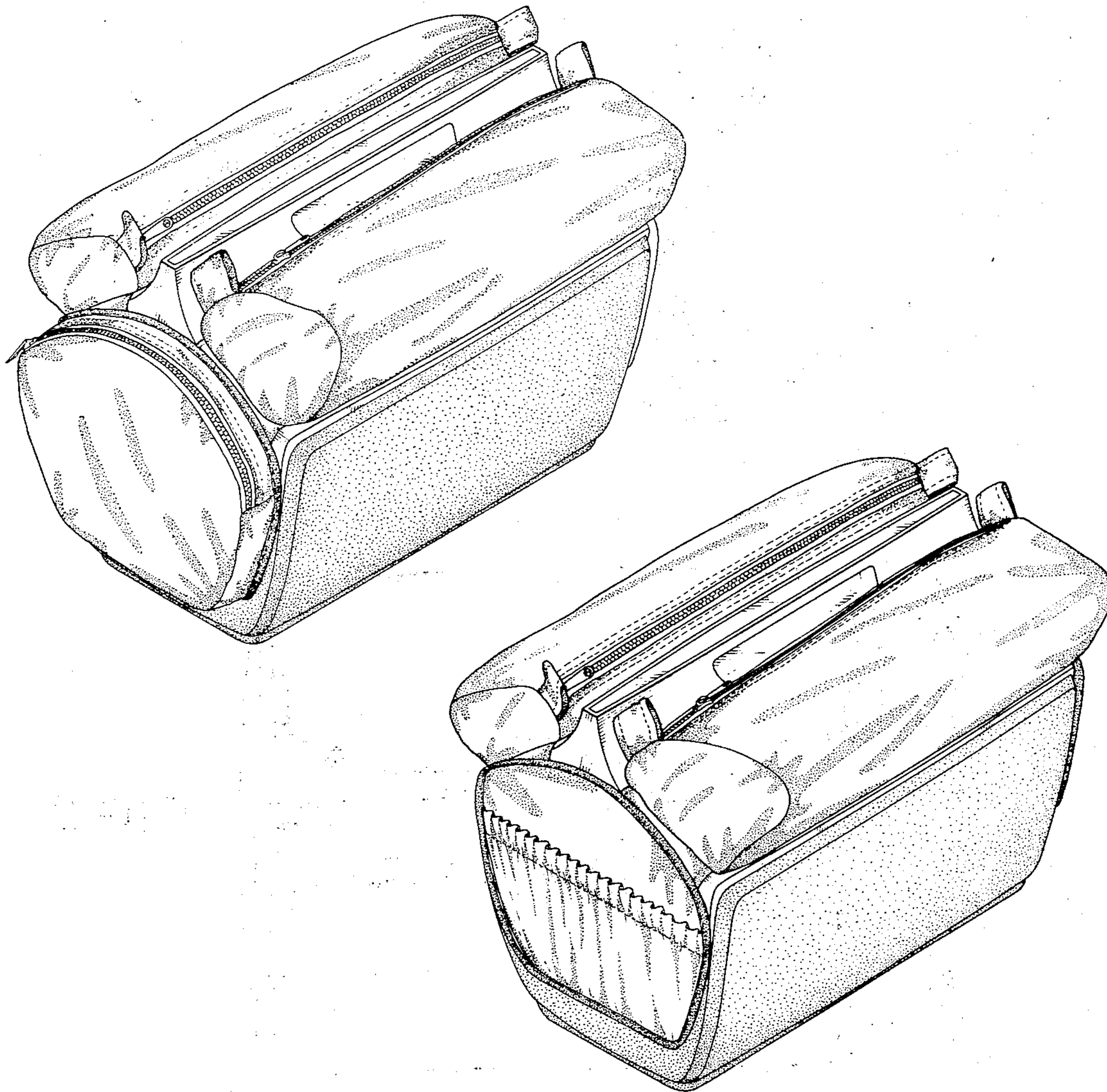
Primary Examiner—Bernard Ansher
Assistant Examiner—Terry Pfeffer
Attorney, Agent, or Firm—Vinson & Elkins

[57] CLAIM

The ornamental design for container having an accessory bag thereon, as shown and described.

DESCRIPTION

FIG. 1 is a top, front, right side perspective view of a container having an accessory bag thereon showing our new design;
FIG. 2 is a top plan view thereof;
FIG. 3 is a bottom, rear, left side perspective view thereof;
FIG. 4 is a front elevational view thereof;
FIG. 5 is a rear elevational view thereof; and,
FIG. 6 is a top, front, right side perspective view of a second embodiment of that shown in FIG. 1, the container and remaining portions of the accessory bag being identical to that shown in FIGS. 1-5.



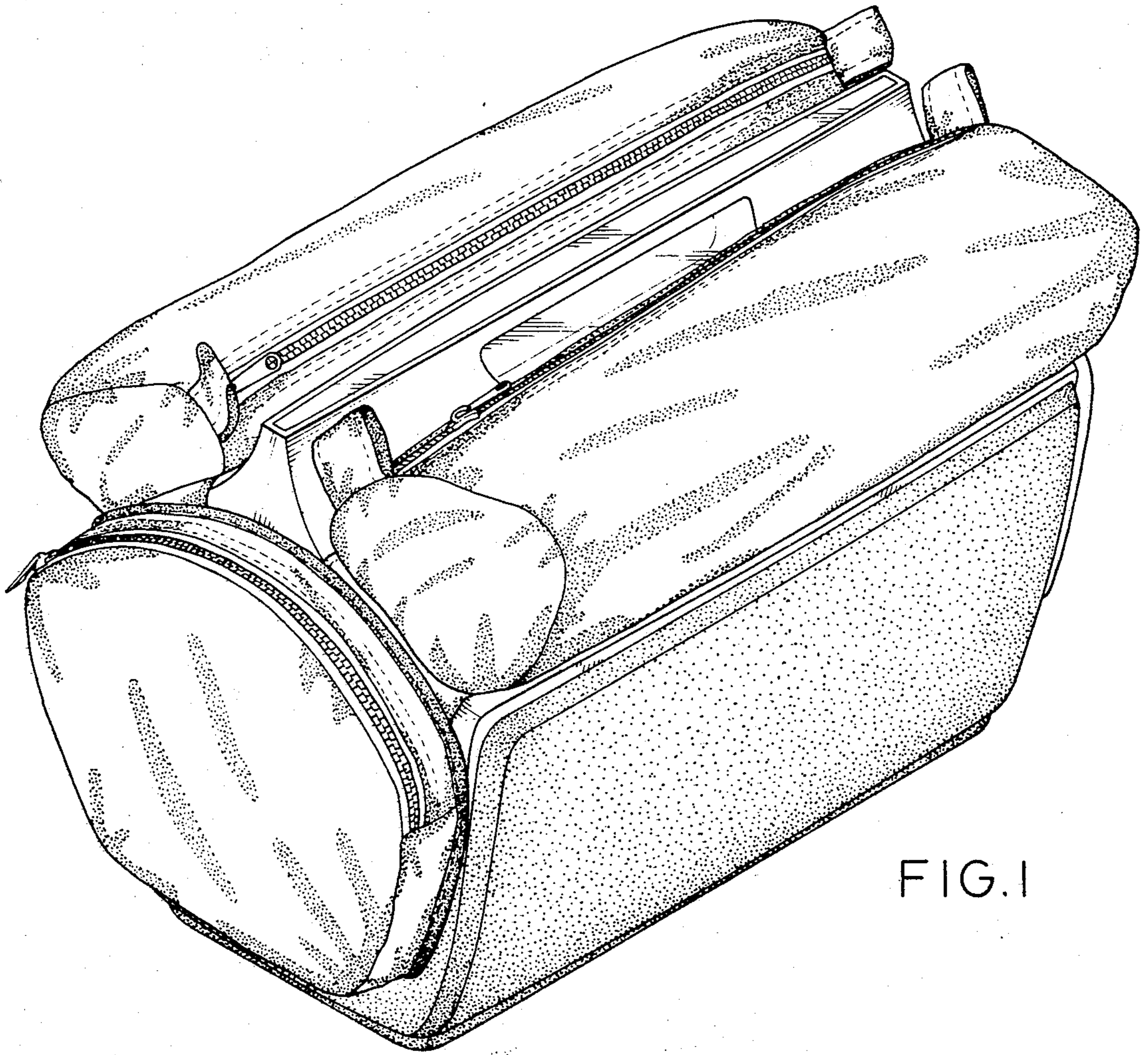


FIG. 1

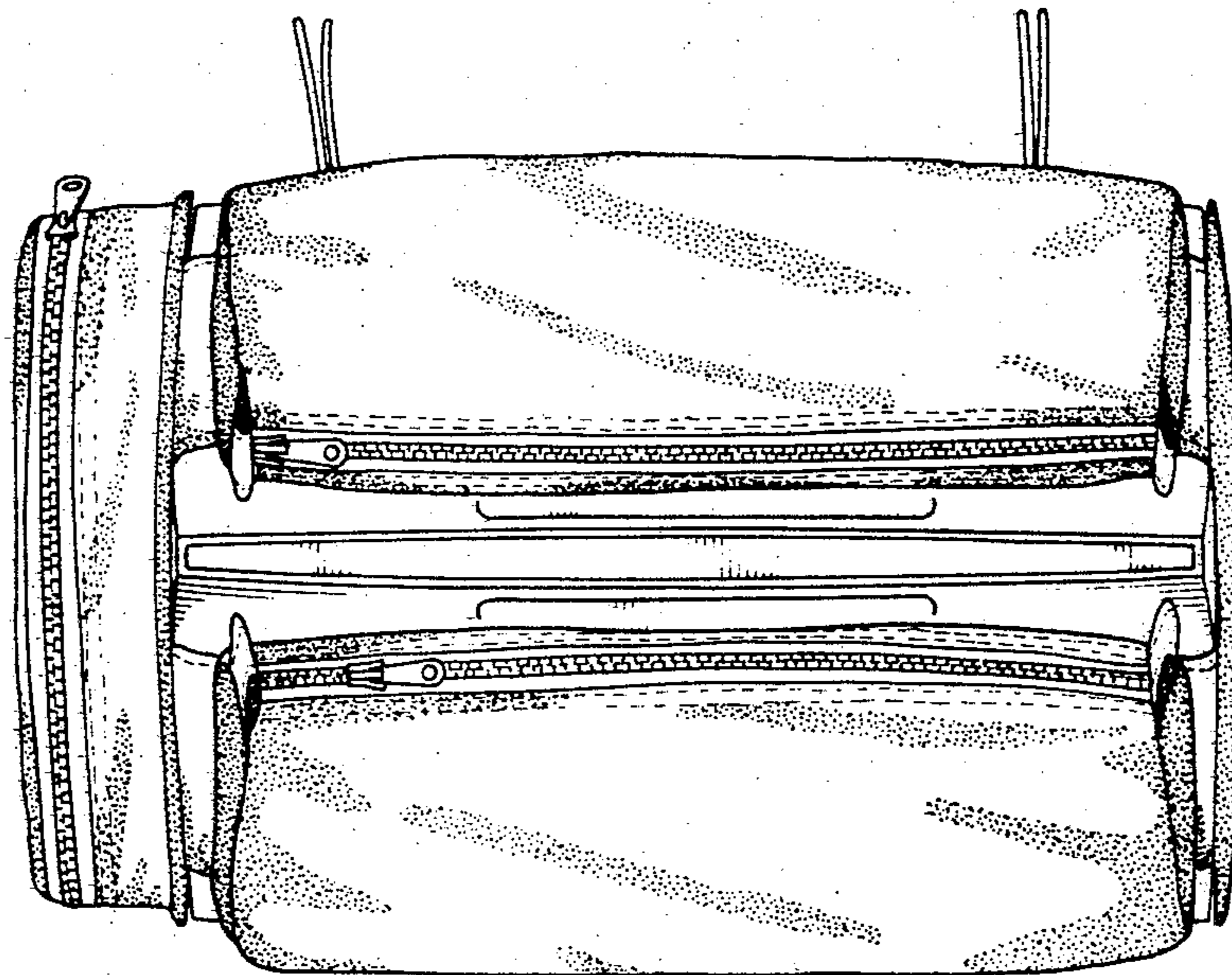


FIG. 2

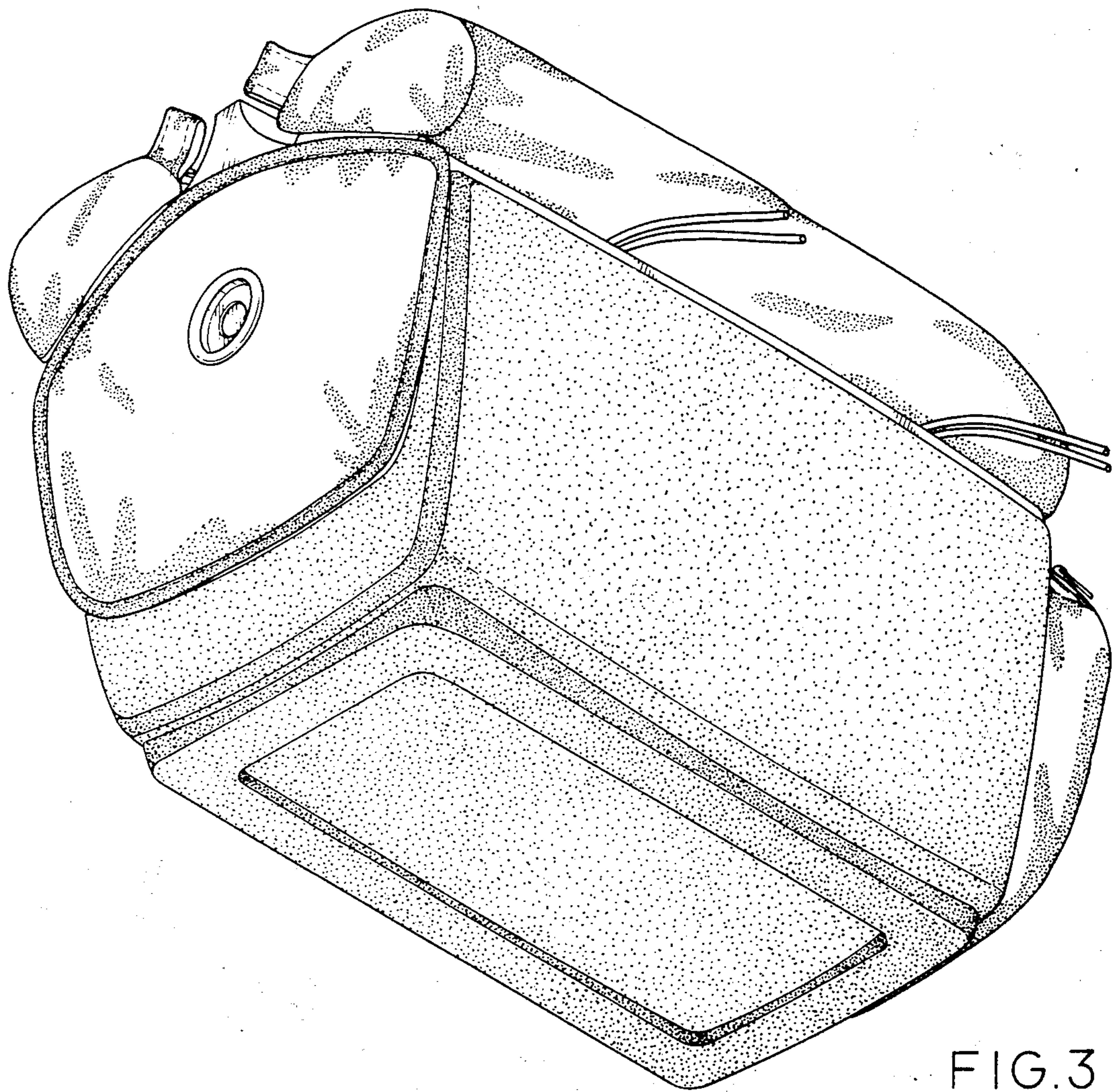


FIG. 3

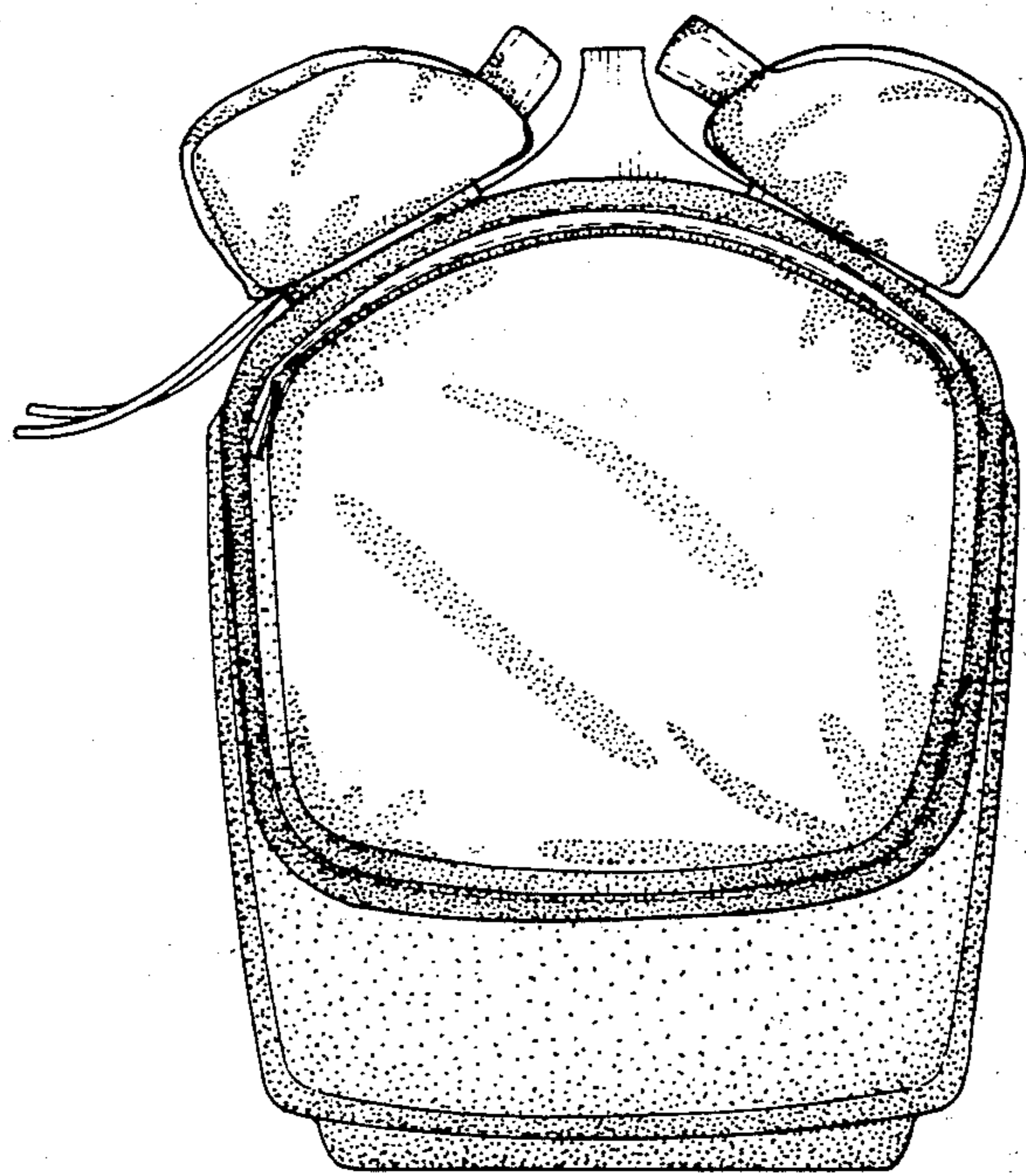


FIG. 4

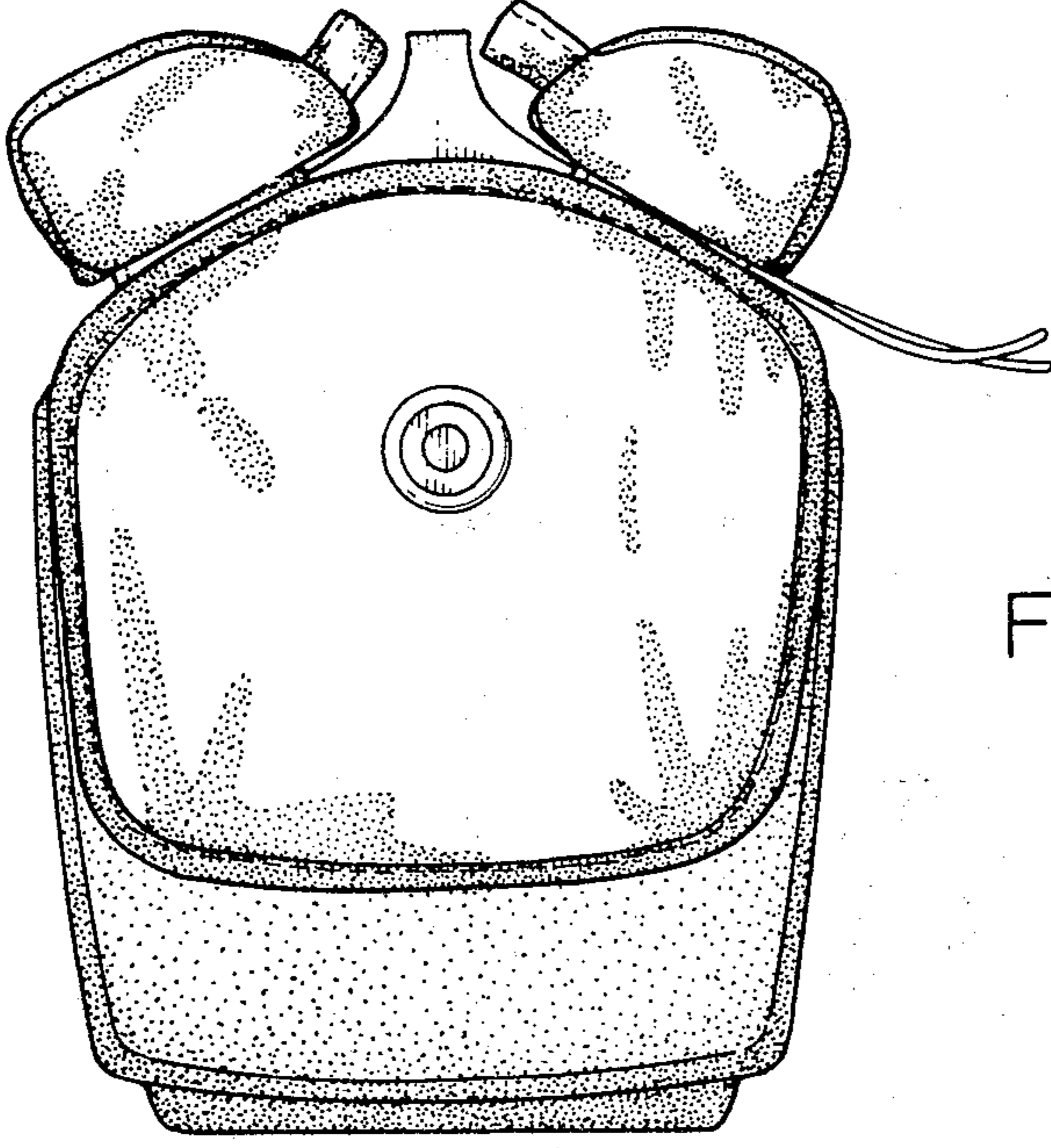


FIG. 5

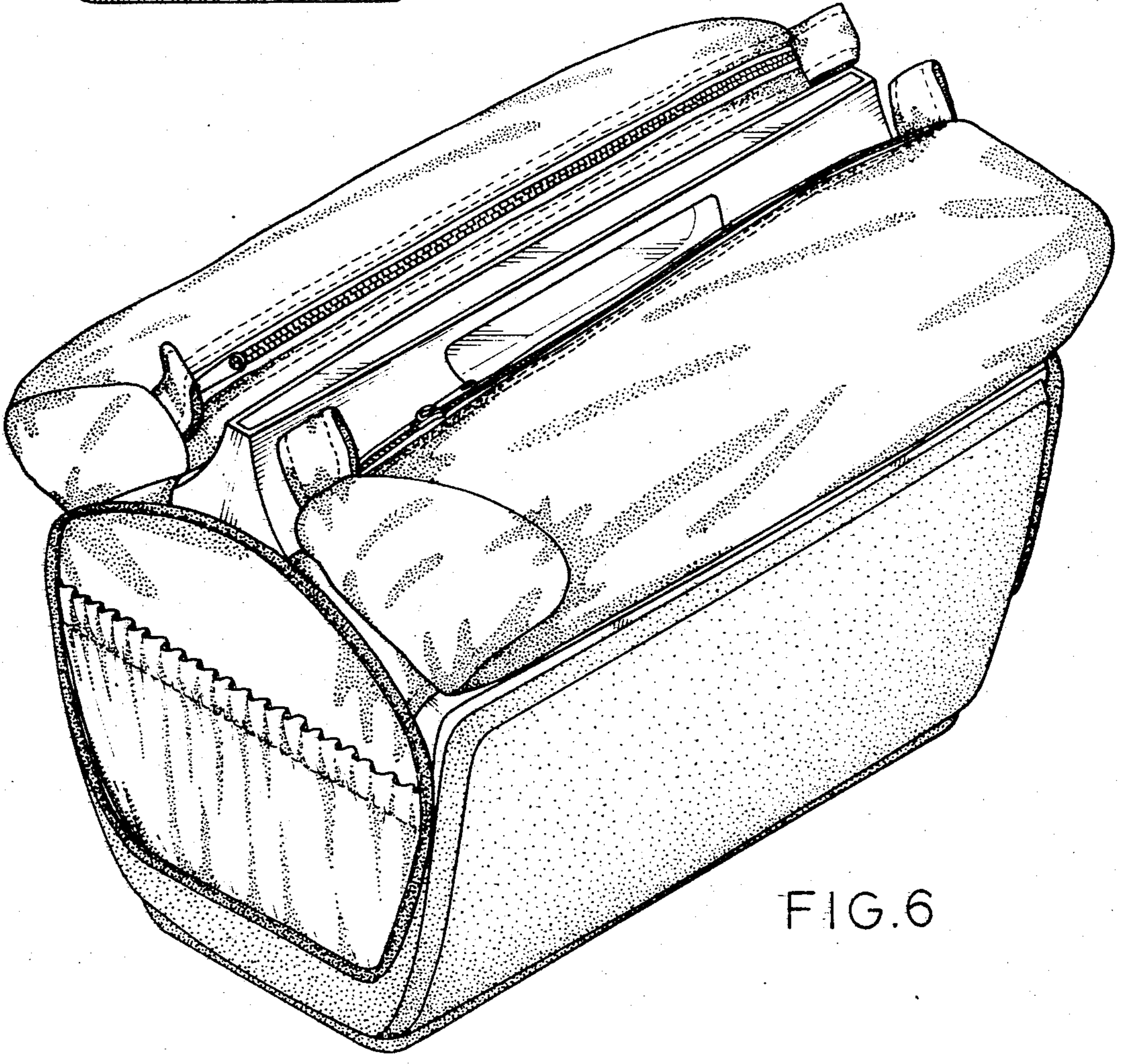


FIG. 6