

[54] OFFICE CHAIR

[75] Inventor: Ullrich H. Bitsch, Dusseldorf, Fed. Rep. of Germany

[73] Assignee: Drabert Sohne GmbH & Co., Minden, Fed. Rep. of Germany

[**] Term: 14 Years

[21] Appl. No.: 704,845

[22] Filed: Feb. 25, 1985

[30] Foreign Application Priority Data

Oct. 3, 1984 [DE] Fed. Rep. of Germany 6A AR 333/84

[52] U.S. Cl. D6/365

[58] Field of Search D6/364, 365, 366, 379, D6/380, 498; 297/445

[56] References Cited

U.S. PATENT DOCUMENTS

D. 65,561	9/1924	Burlin	D6/498
D. 280,682	9/1985	Lange	D6/366
D. 282,510	2/1986	Diffient	D6/366
D. 285,629	9/1986	Franck et al.	D6/366

Primary Examiner—Bruce W. Dunkins
Attorney, Agent, or Firm—Pollock, Vande Sande and Priddy

[57] CLAIM

The ornamental design for an office chair, as shown and described.

DESCRIPTION

FIG. 1 is a front perspective view of an office chair showing my new design;
FIG. 2 is a rear perspective view of said office chair;
FIG. 3 is a left side perspective view of said office chair; and
FIG. 4 is a right side perspective view of said office chair.

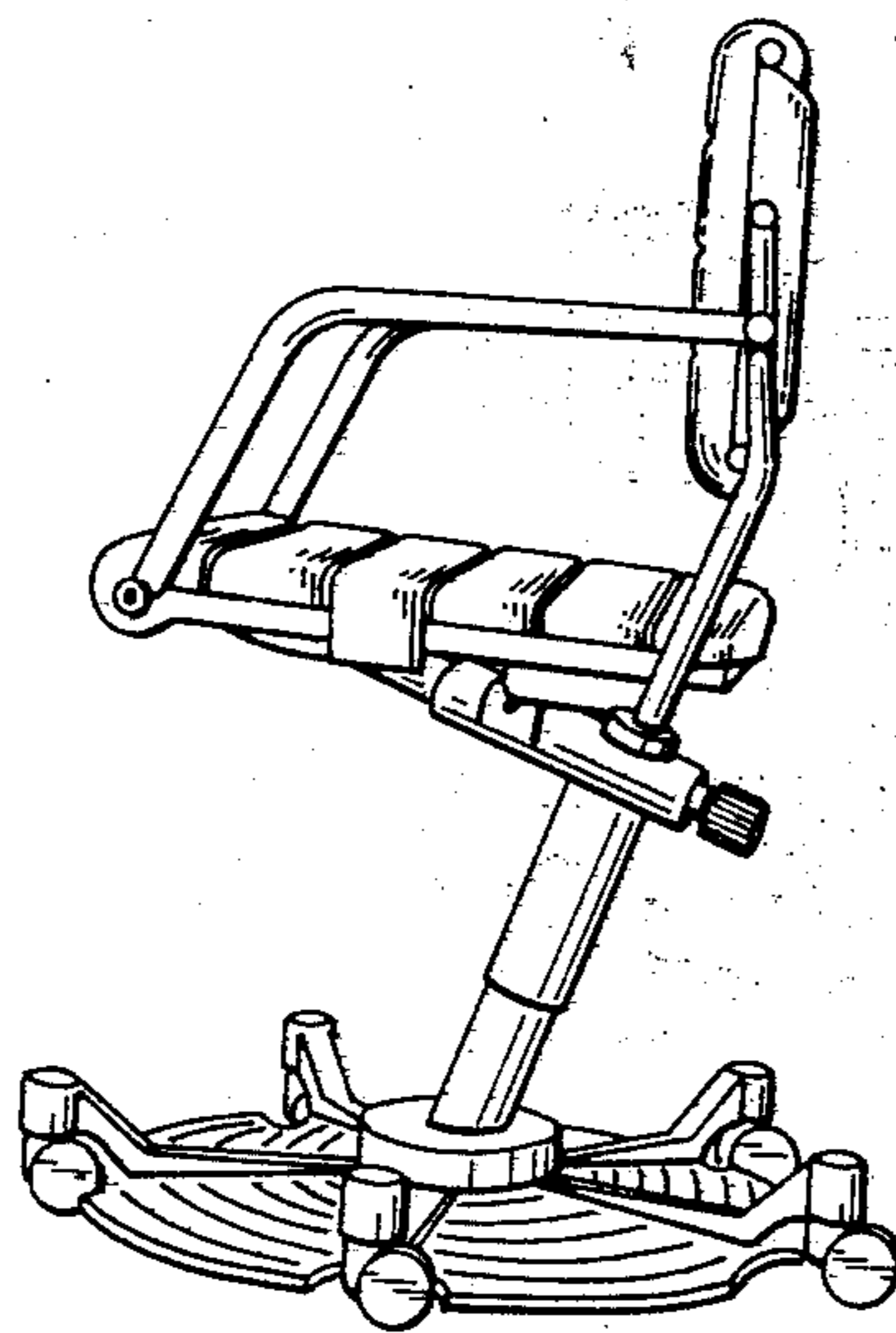


FIG. 1

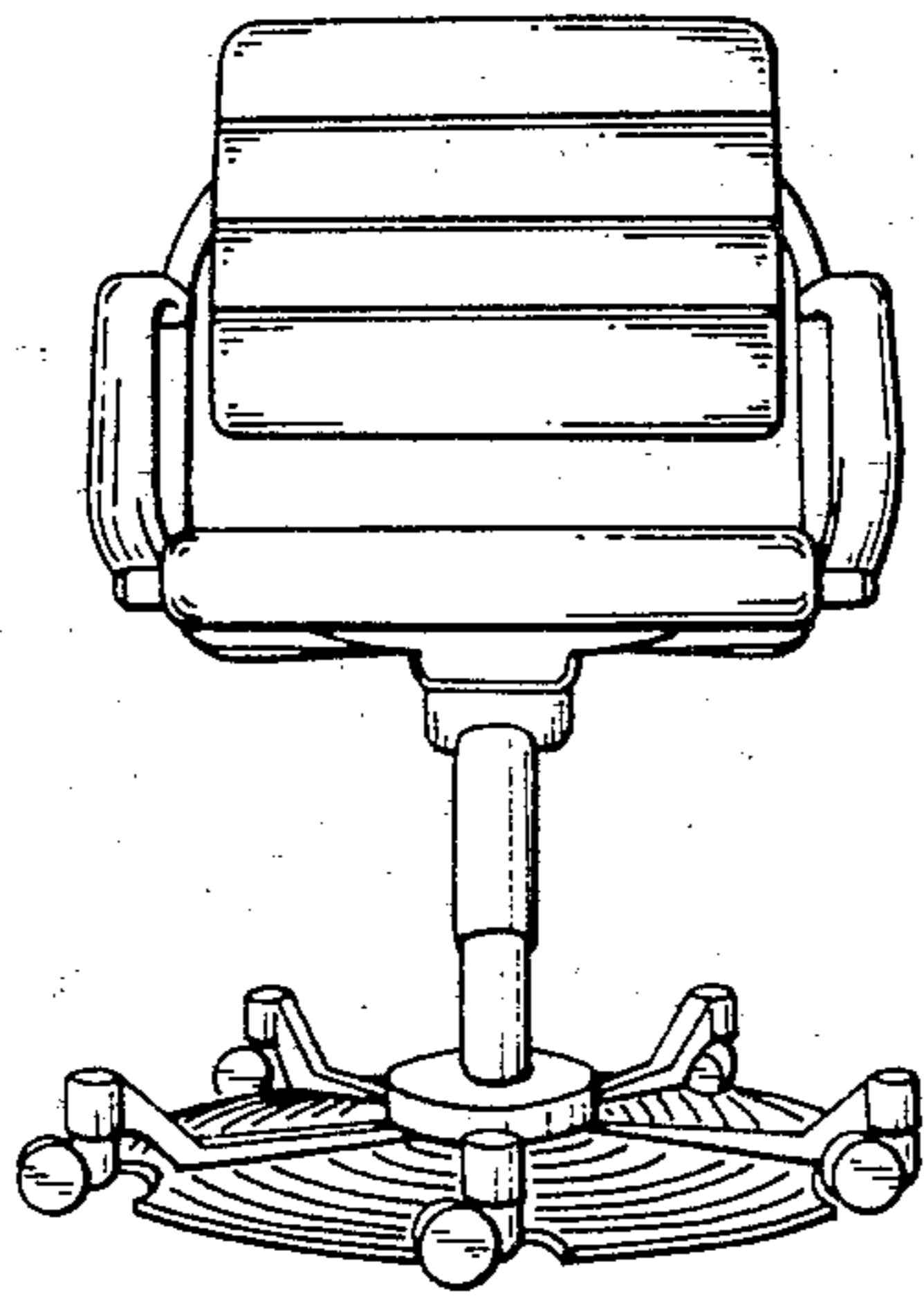


FIG. 3

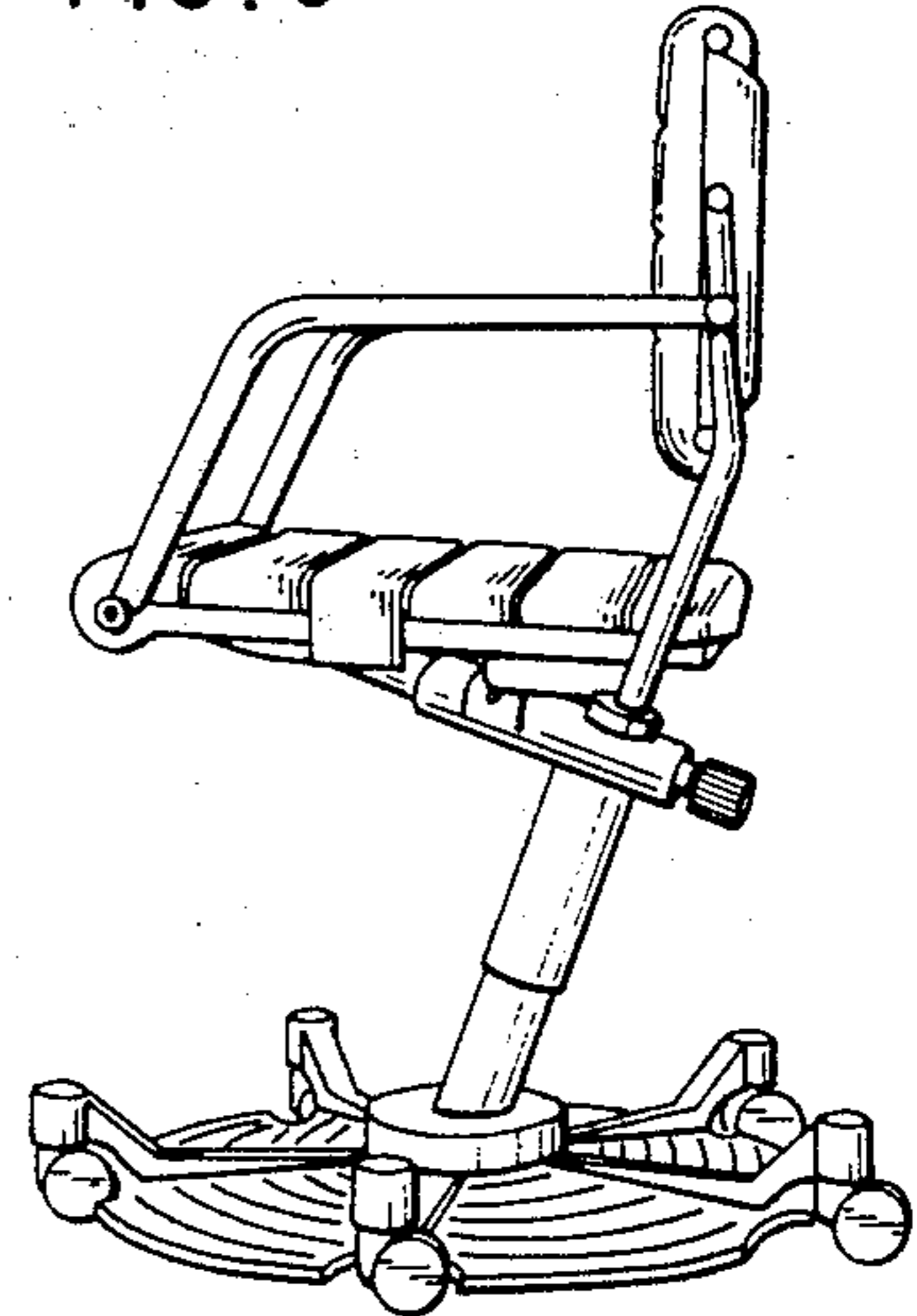


FIG. 2

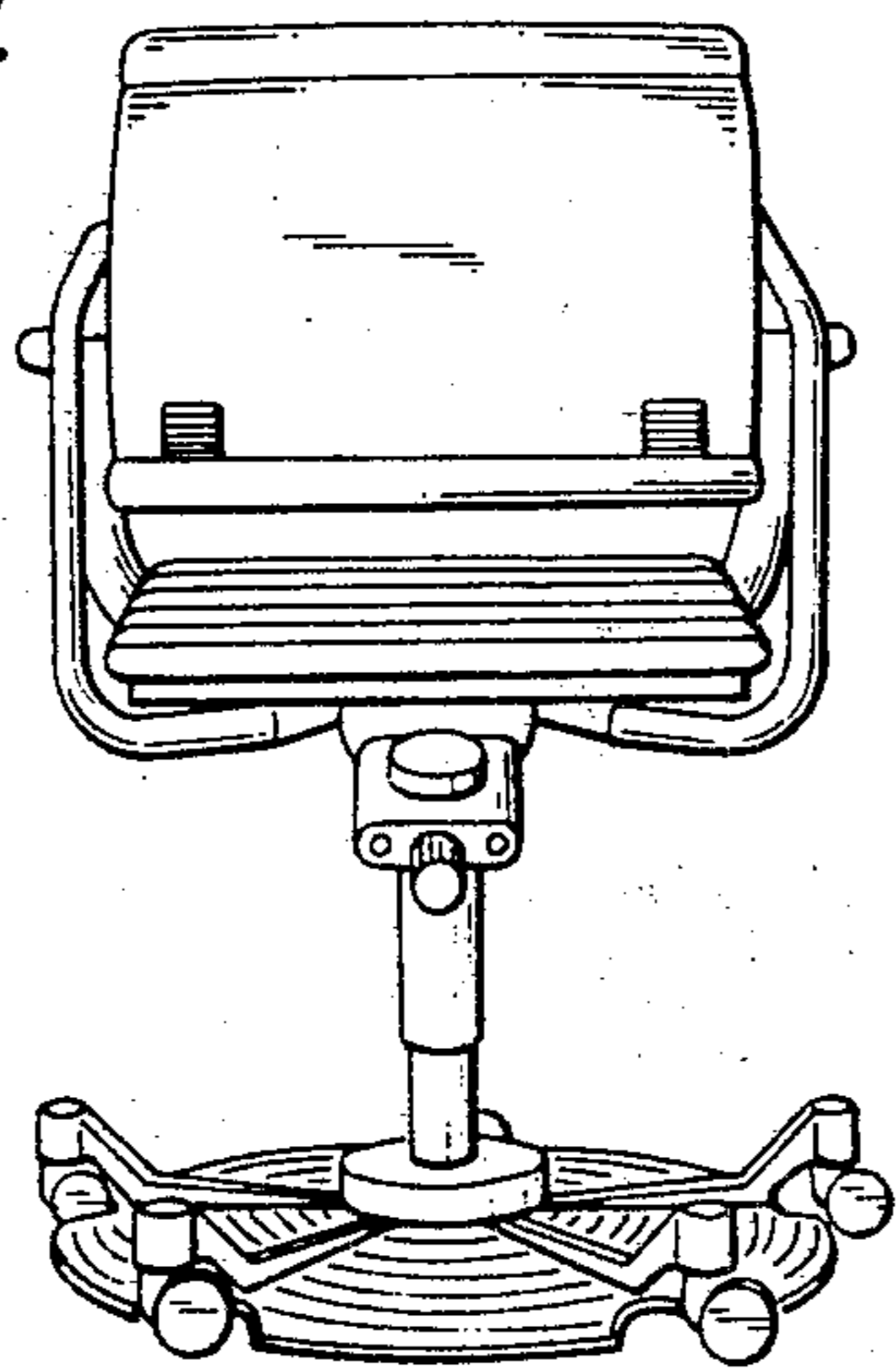


FIG. 4

