

[54] FOLDING GOLF CART

[76] Inventor: Harold J. Moore, Fountain Ct., 48 Benwick Rd., Doddington, Cambridgeshire, United Kingdom, PE15 OGT

[**] Term: 14 Years

[21] Appl. No.: 782,802

[22] Filed: Oct. 2, 1985

[30] Foreign Application Priority Data

Apr. 2, 1985 [GB] United Kingdom 1025937
[52] U.S. Cl. D34/15
[58] Field of Search D34/15, 12, 18; 280/DIG. 5, DIG. 6, 62; 180/11, 19.1, 19.2, 65.6

[56] References Cited

U.S. PATENT DOCUMENTS

D. 280,943 10/1985 Catford D34/15
D. 285,017 8/1986 Zentis et al. D34/15
2,810,586 10/1957 Troka 280/DIG. 6
2,914,336 11/1959 Hibben, Jr. et al. 280/DIG. 6

3,926,448 12/1975 Reichard 280/62
4,289,324 9/1981 Nemeth 280/DIG. 5

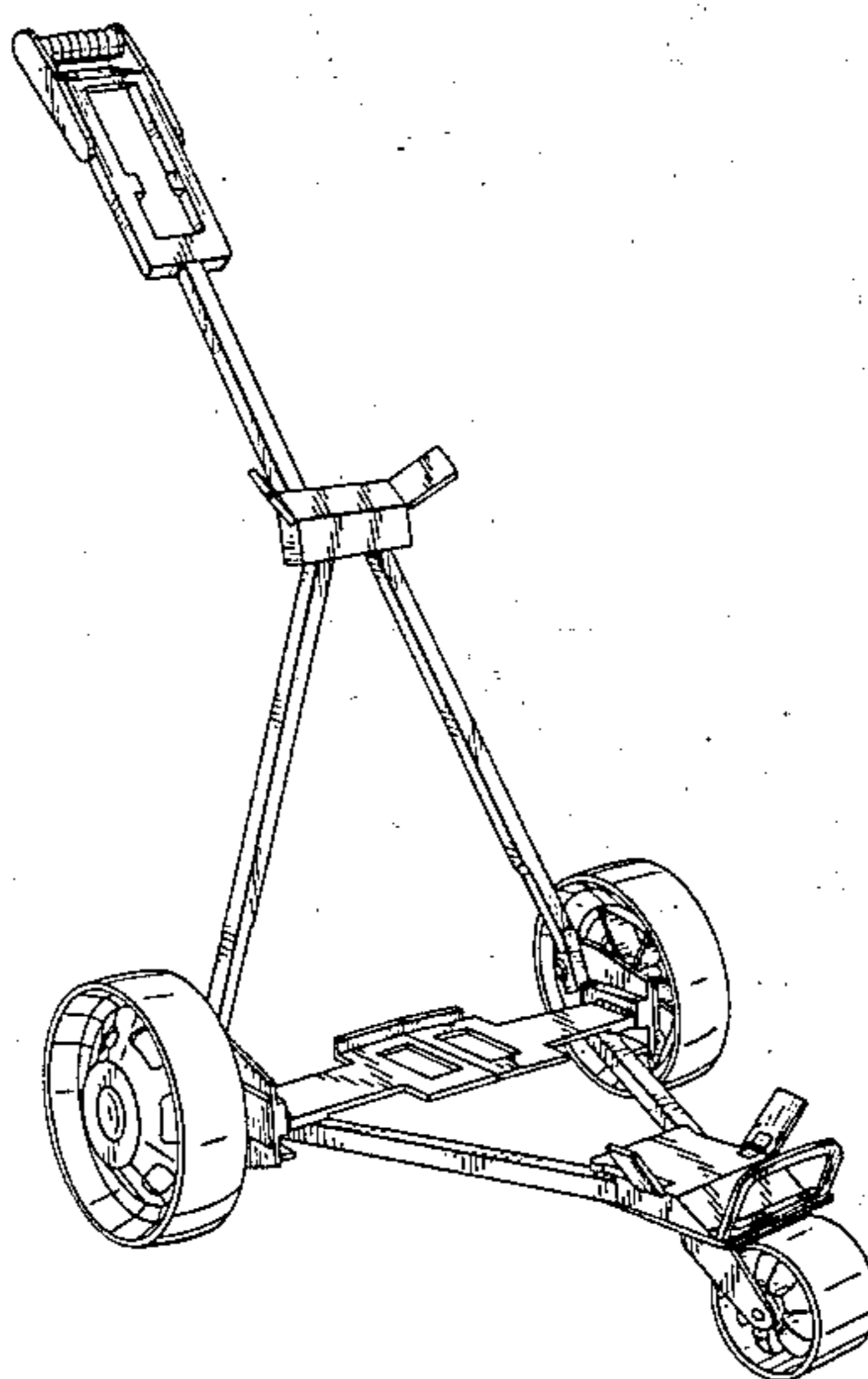
Primary Examiner—James M. Gandy
Assistant Examiner—Kay H. Chin
Attorney, Agent, or Firm—Sughrue, Mion, Zinn, Macpeak and Seas

[57] CLAIM

The ornamental design for a folding golf cart, as shown and described.

DESCRIPTION

FIG. 1 is a rear perspective view of a folding golf cart showing my new design, in its fully folded condition; FIG. 2 is a front perspective view thereof, in fully folded condition; FIG. 3 is a front perspective view thereof, in partially unfolded condition; FIG. 4 is a front perspective view thereof, in substantially unfolded condition; FIG. 5 is a front perspective view thereof, in fully unfolded condition; and FIG. 6 is a rear perspective view thereof, in fully unfolded condition. The bottom is plain and unadorned.



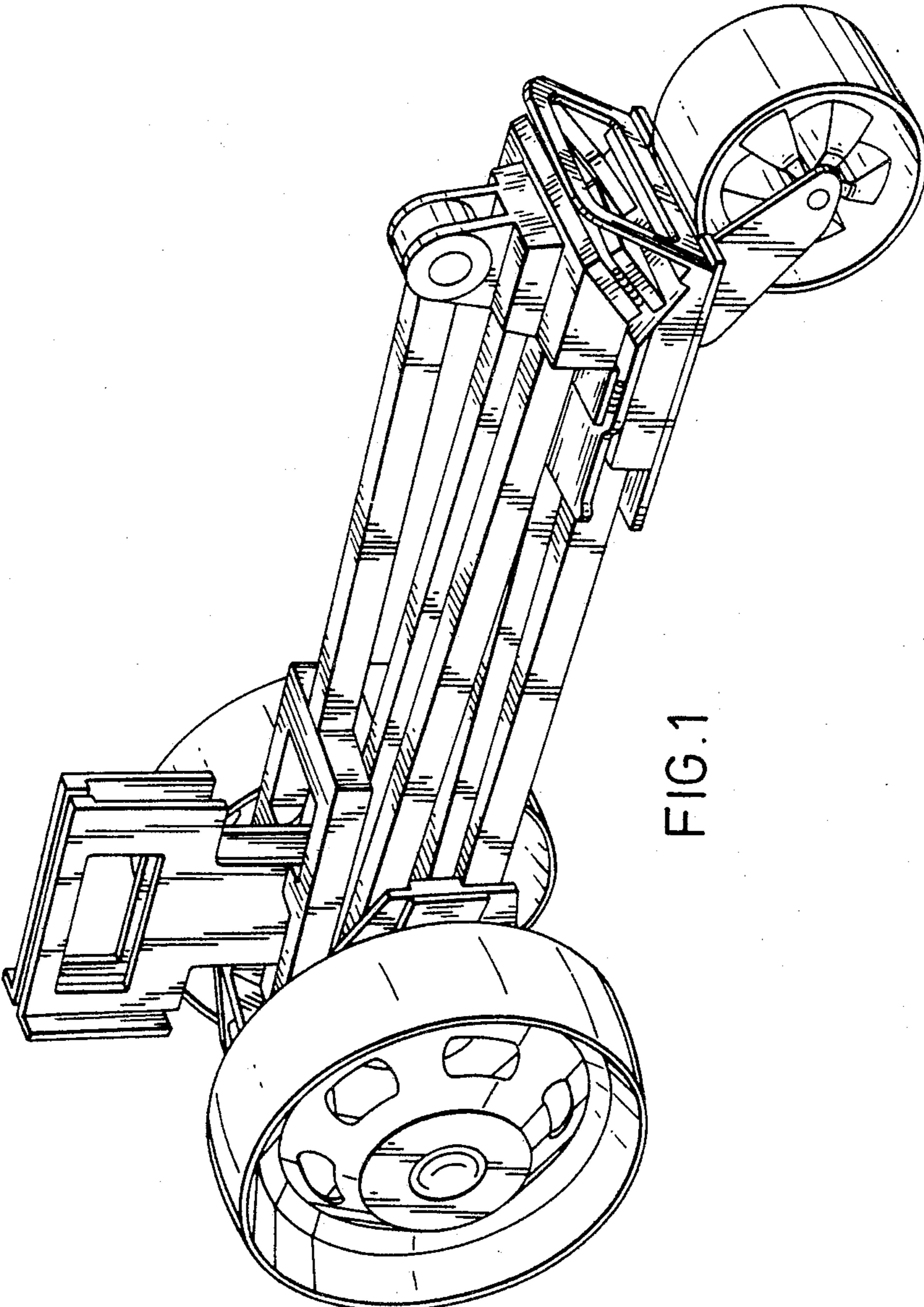


FIG. 1

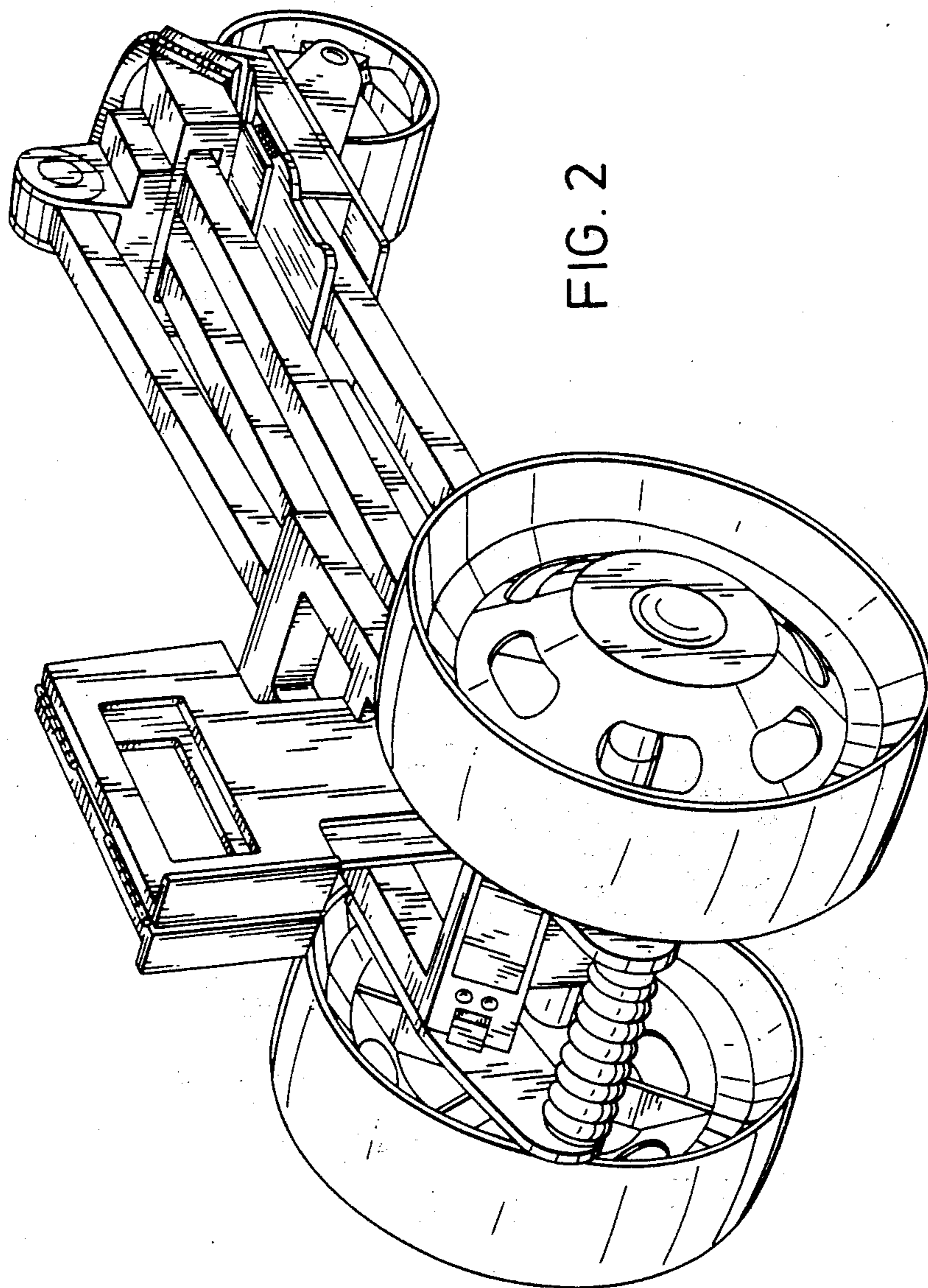
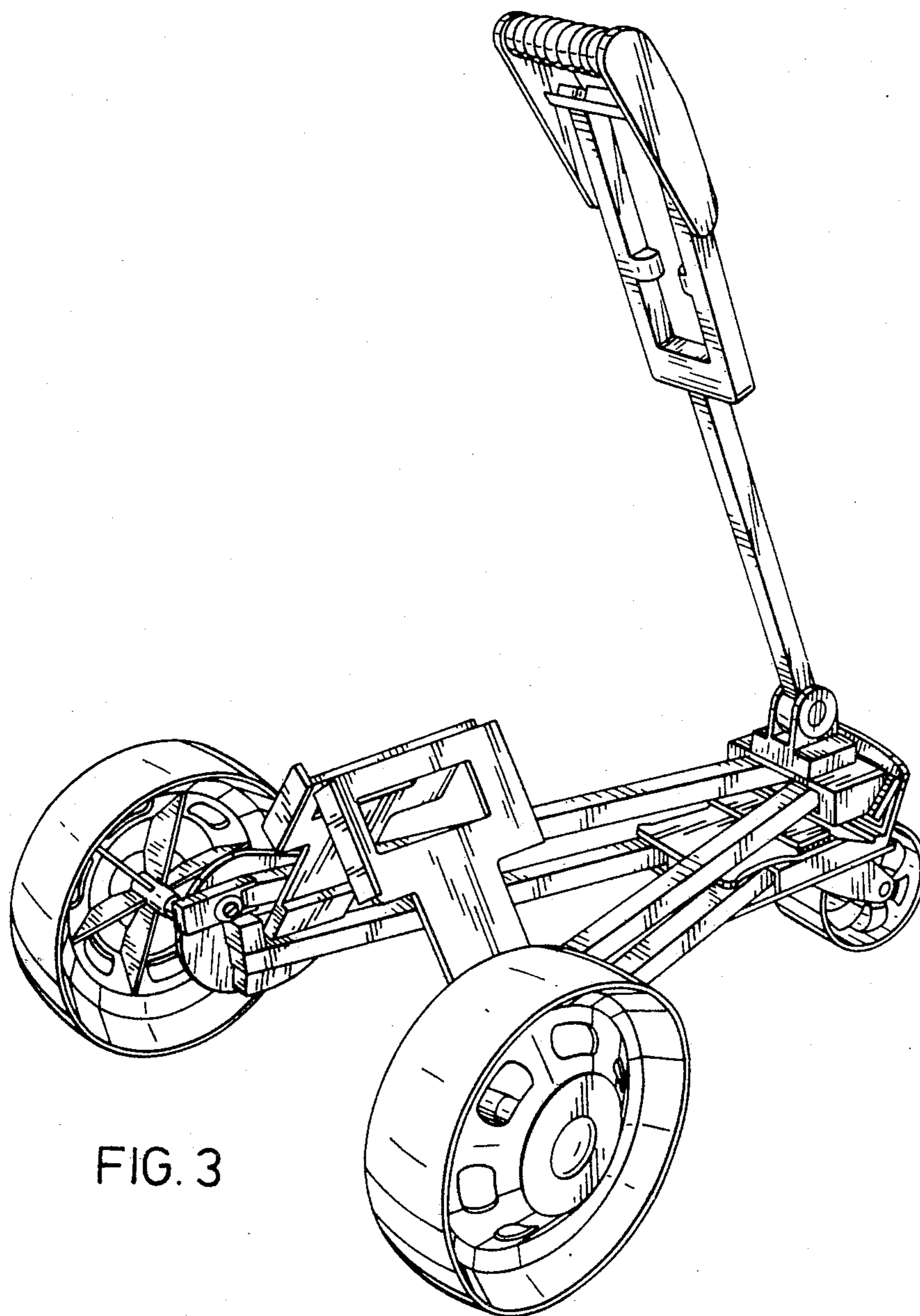


FIG. 2



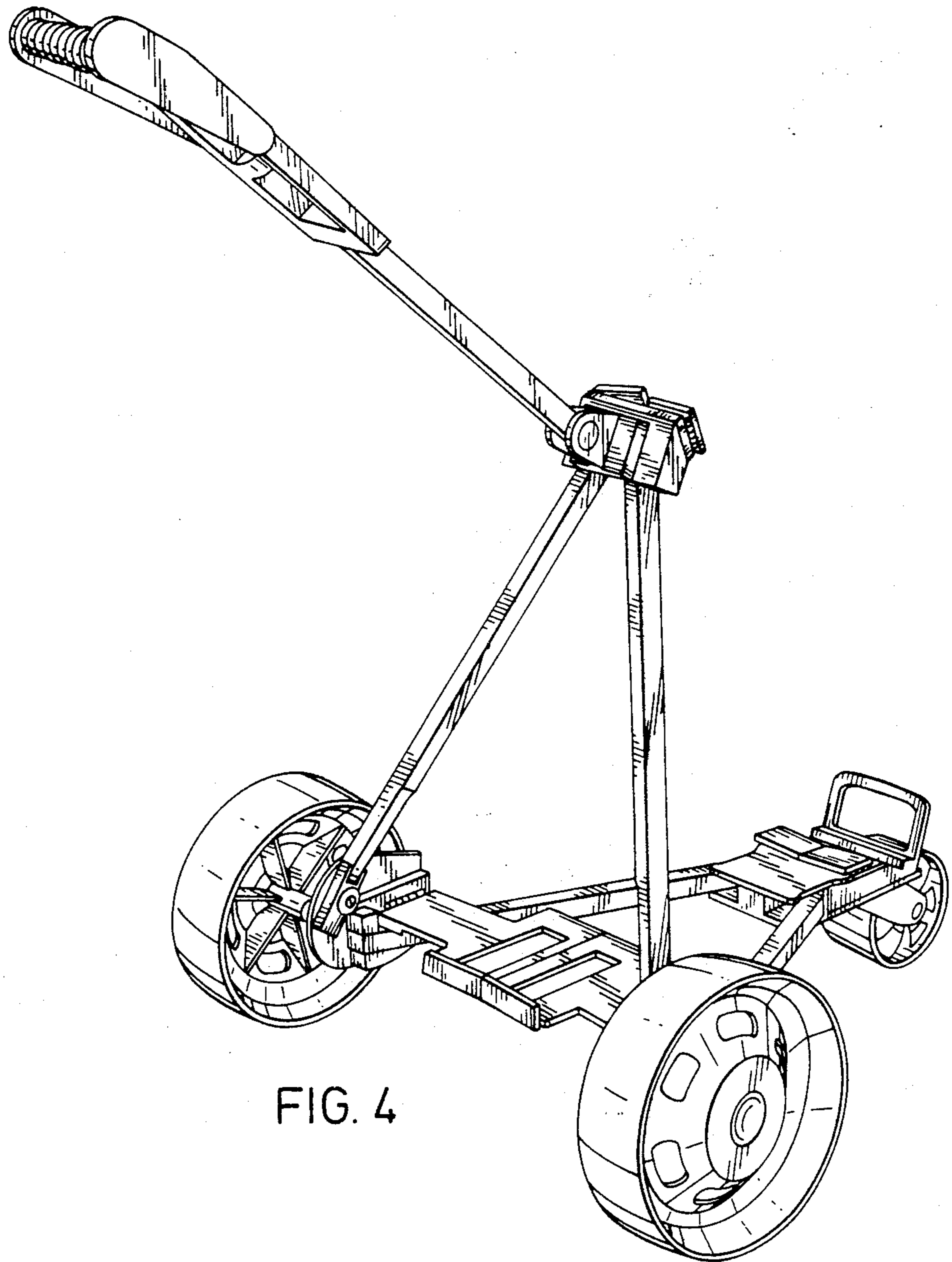


FIG. 4

