

[54] TRASH BAG HOLDER

[76] Inventor: Howard Sussman, 3101 NW. 25th Ave., Pompano Beach, Fla. 33069

[**] Term: 14 Years

[21] Appl. No.: 761,797

[22] Filed: Aug. 2, 1985

[52] U.S. Cl. D34/6

[58] Field of Search D34/1, 5, 6; 220/403, 220/404, 20, 28.3, 1 T; D6/475, 449; D7/79; D15/123; D9/432

[56] References Cited

U.S. PATENT DOCUMENTS

D. 239,495	4/1976	Shanklin	D34/1
D. 263,016	2/1982	Keller	D34/1
D. 272,288	1/1984	Pfaff	D9/432
421,787	2/1890	Tucker	220/20
2,713,984	7/1955	Paige	D6/475
4,260,069	4/1981	Juergens	D7/79

4,358,994 11/1982 Talley D15/123

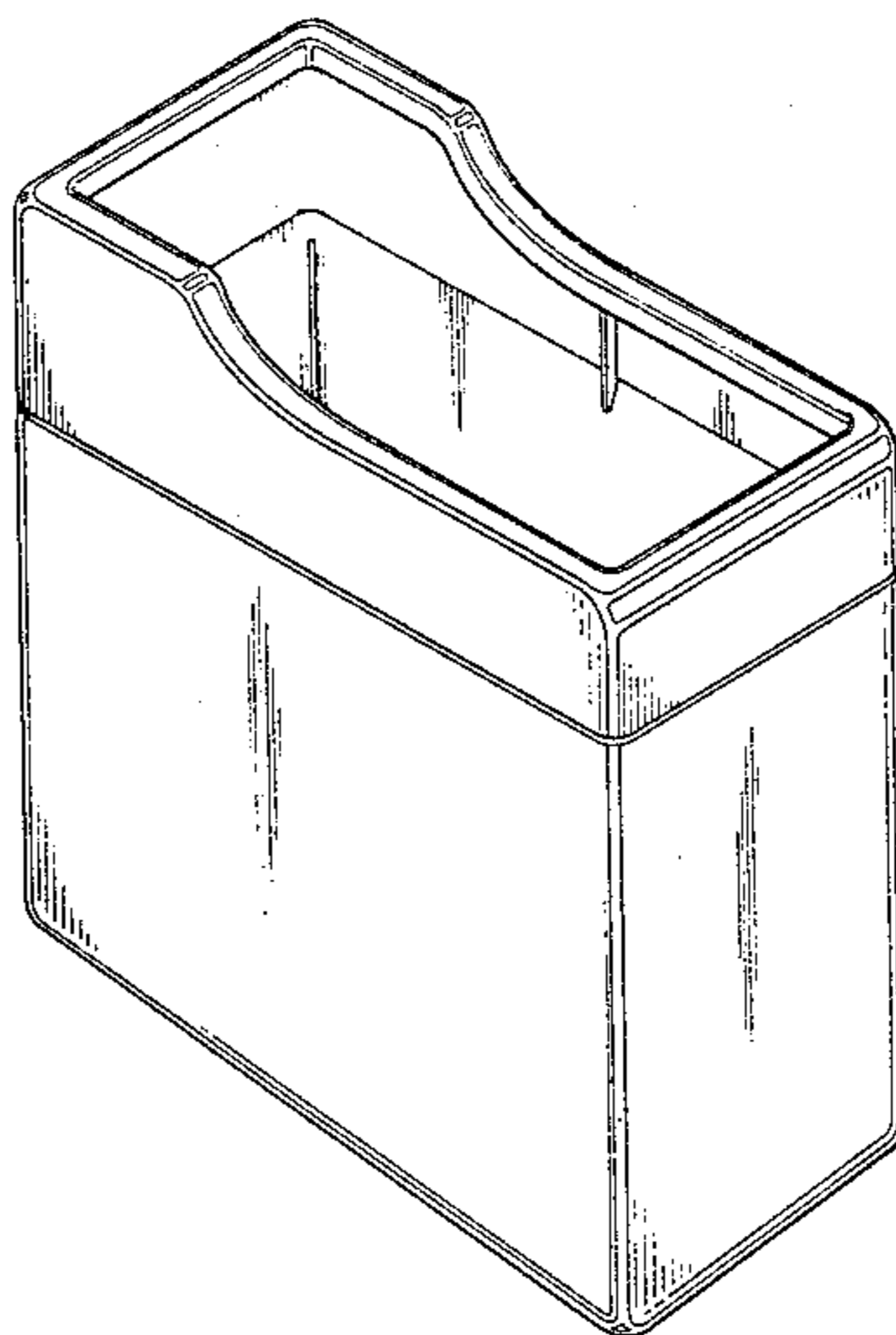
Primary Examiner—James M. Gandy
Assistant Examiner—Kay H. Chin
Attorney, Agent, or Firm—Myron Amer

[57] CLAIM

The ornamental design for a trash bag holder, as shown and described.

DESCRIPTION

FIG. 1 is a perspective view of a trash bag holder showing my new design;
FIG. 2 is a top plan view thereof;
FIG. 3 is a front elevational view thereof;
FIG. 4 is a right side elevational view thereof, of which the left side elevational view is a mirror image;
FIG. 5 is a rear elevational view thereof; and
FIG. 6 is a bottom plan view thereof; and
FIG. 7 is an enlarged sectional view taken along lines 7—7 of FIG. 2, it being understood that a portion of the holder has been shown broken away for convenience of illustration.



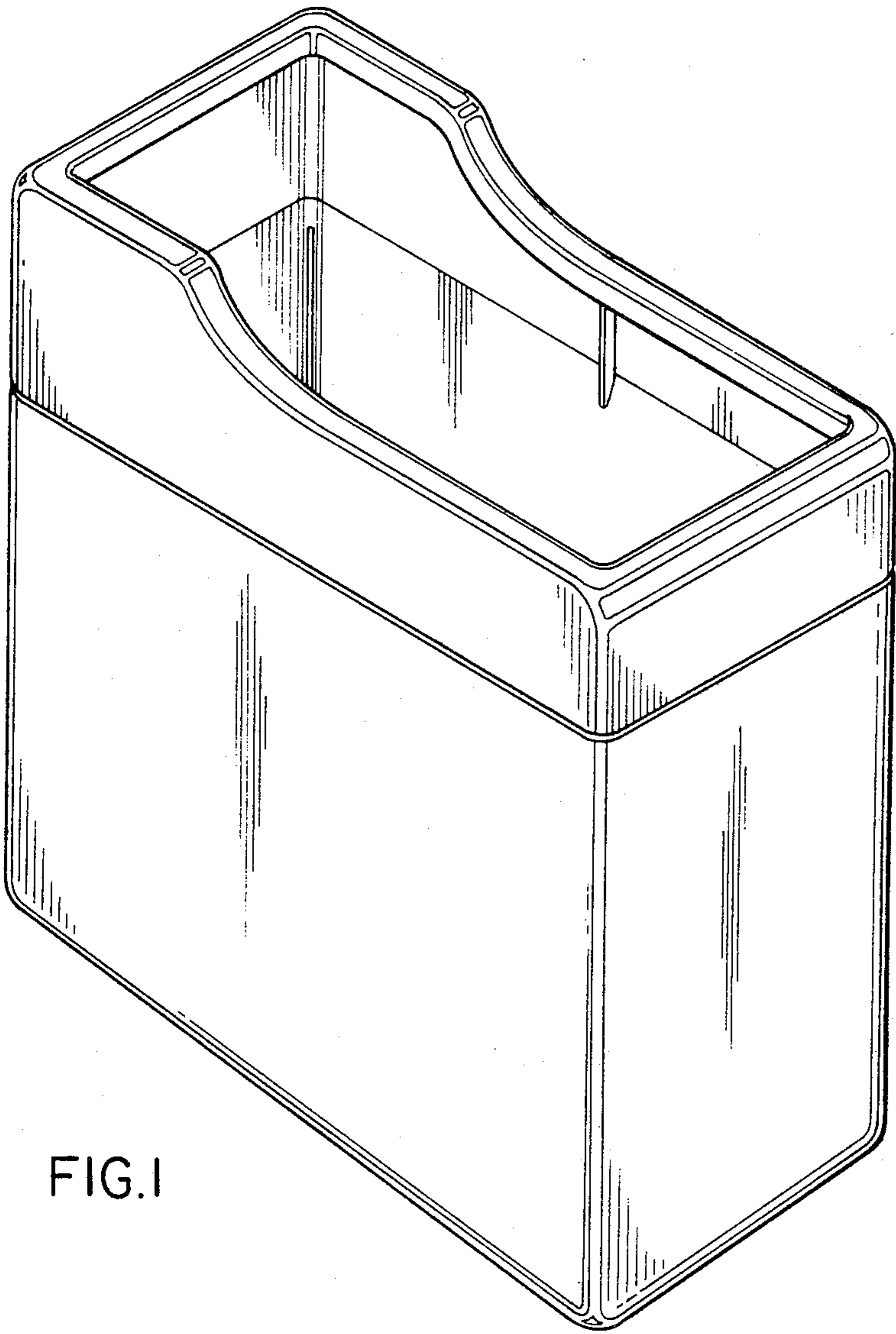


FIG. 1

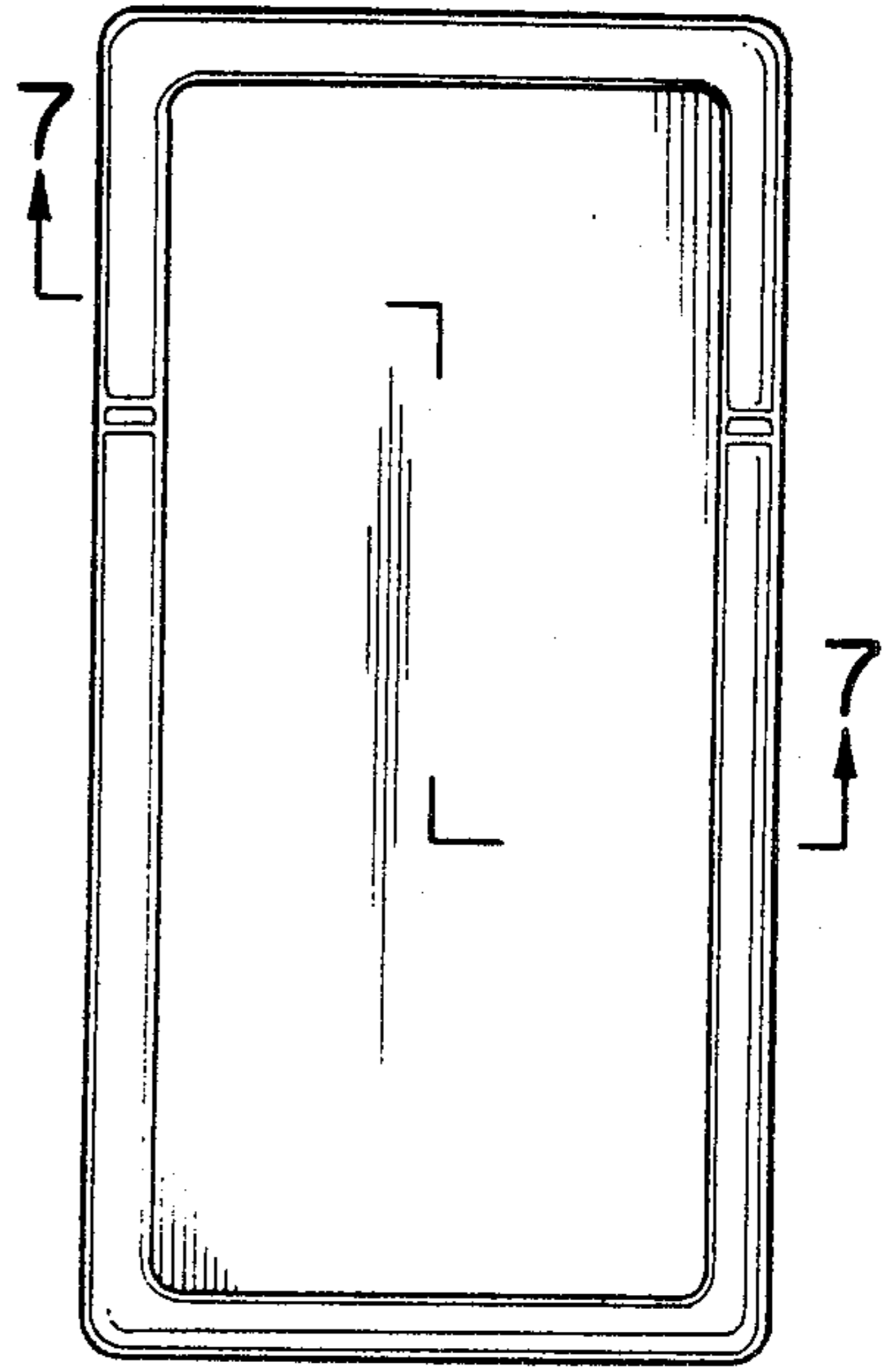


FIG. 2

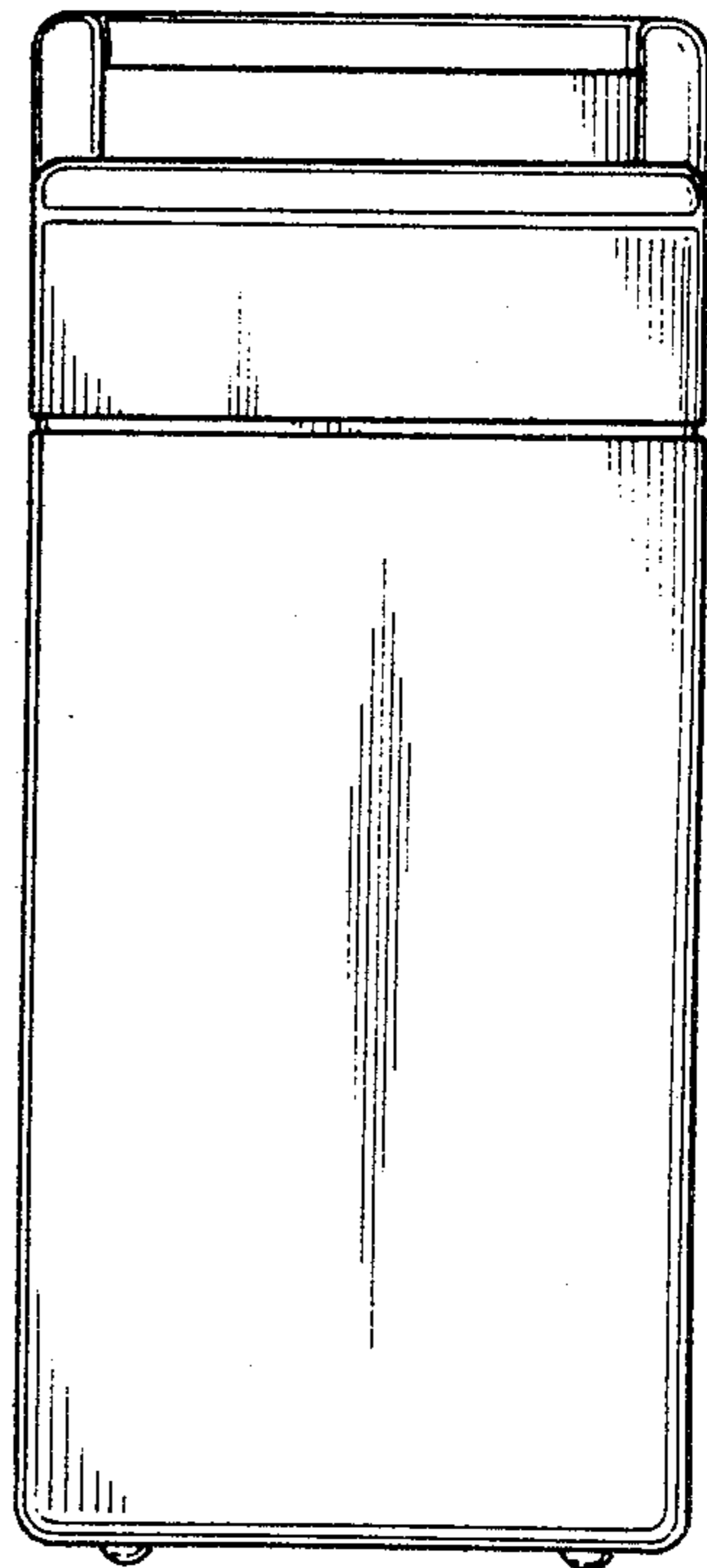


FIG. 3

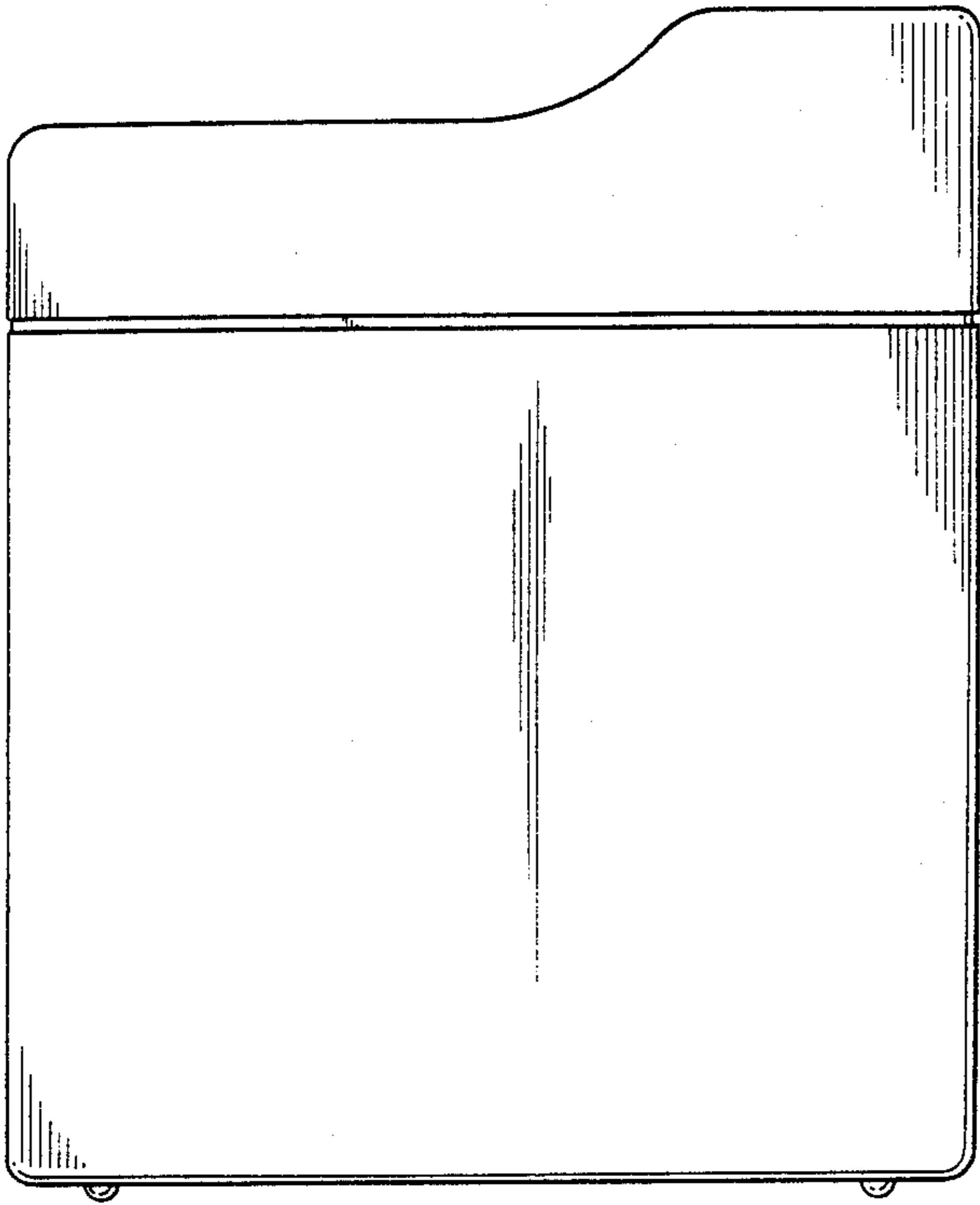


FIG. 4

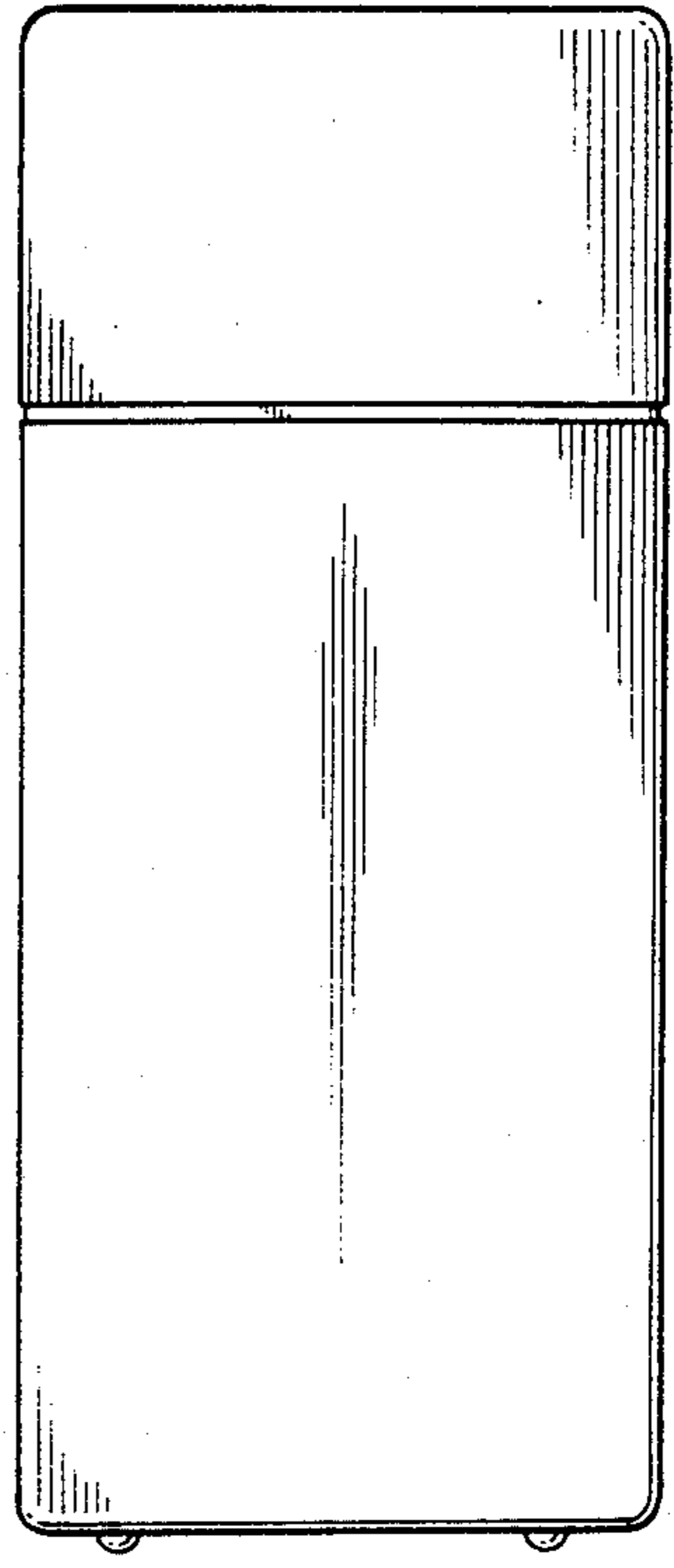


FIG. 5

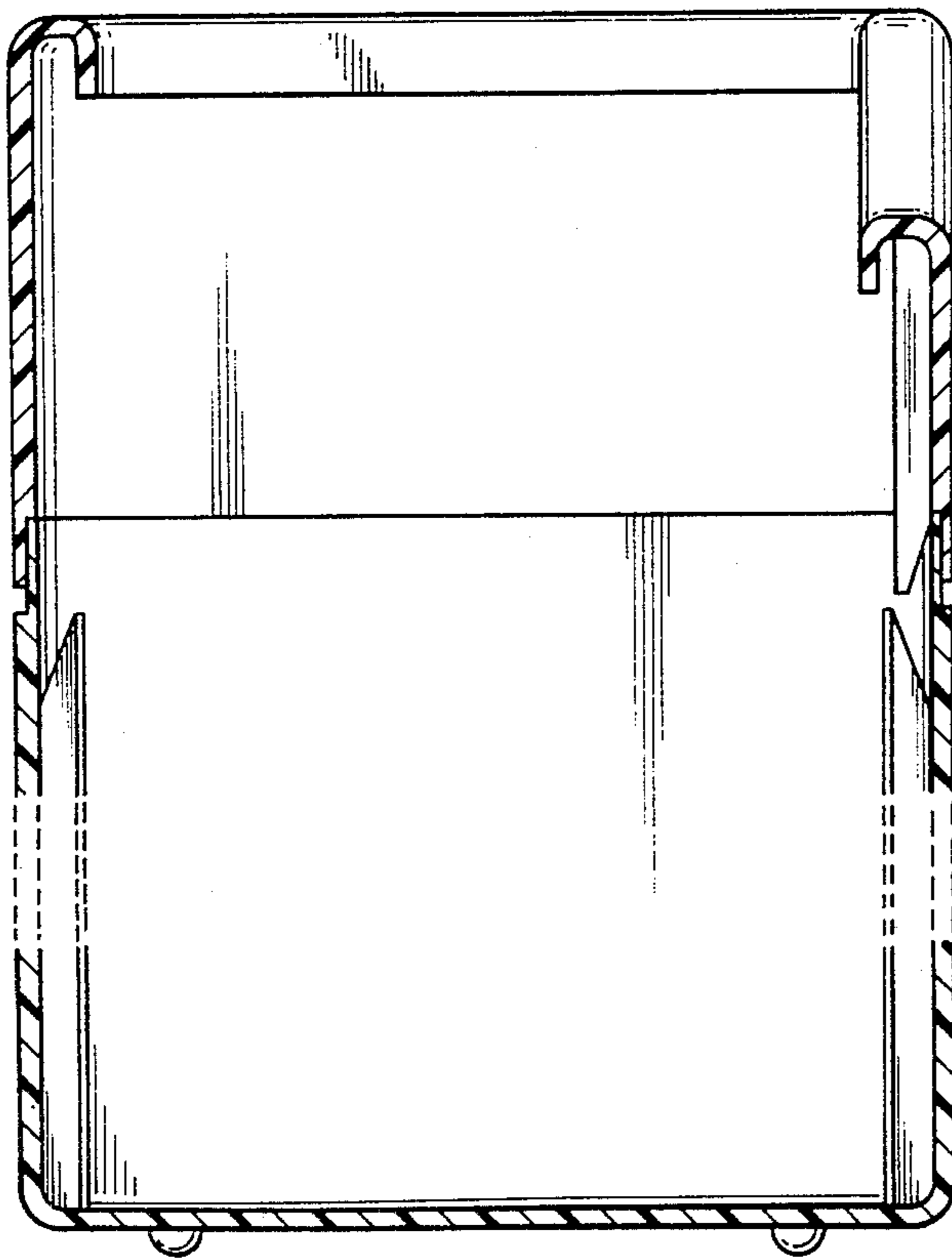


FIG. 7

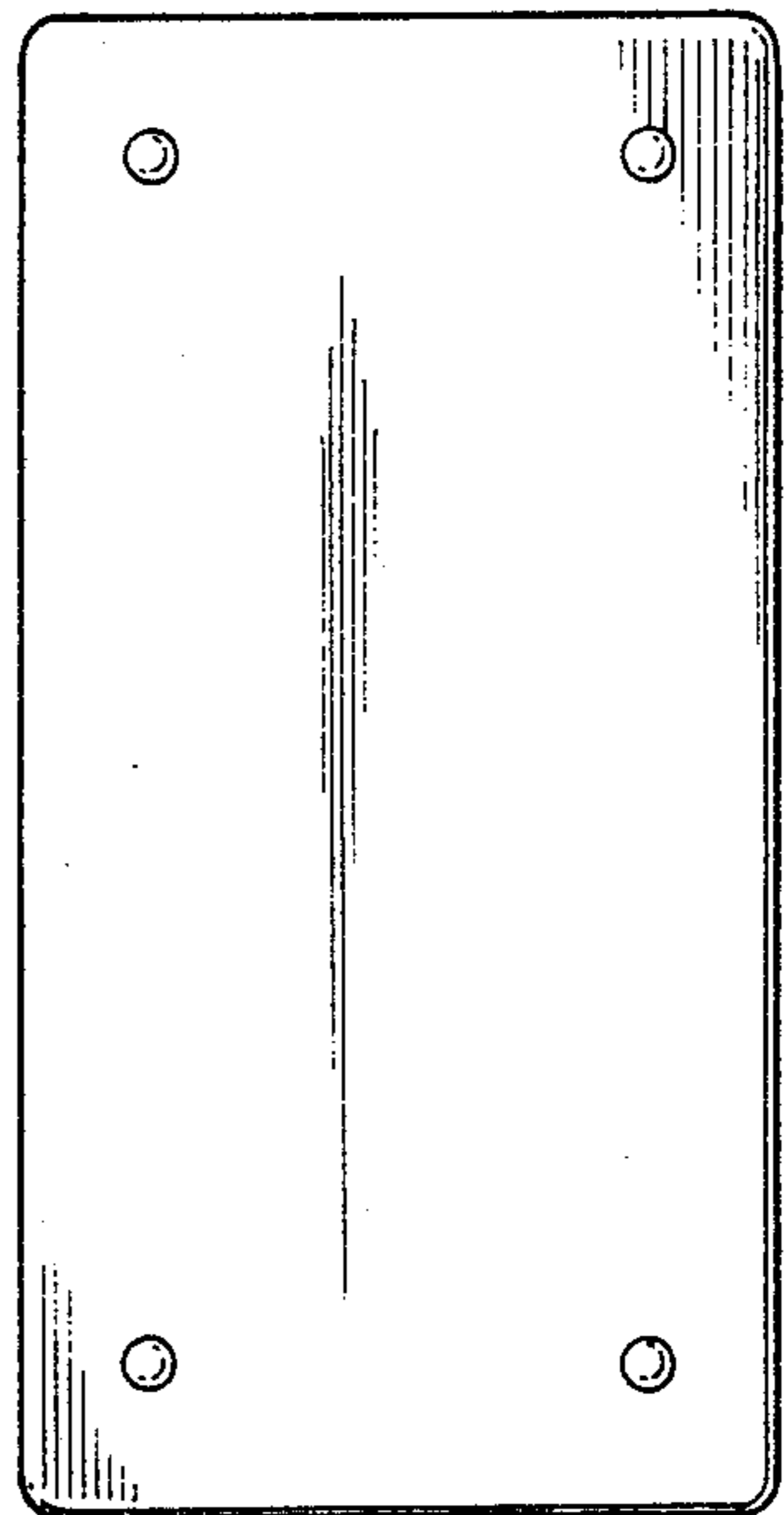


FIG. 6