

[54] POCKET ASHTRAY

[76] Inventor: Andrew Rhodes, 51 Watson Ave., Ossining, N.Y. 10562

[**] Term: 14 Years

[21] Appl. No.: 764,571

[22] Filed: Aug. 12, 1985

[52] U.S. Cl. D27/8; D27/14

[58] Field of Search D27/8.29; 131/231, 240.1, 131/241, 242; 206/496

[56] References Cited

U.S. PATENT DOCUMENTS

D. 205,172	6/1966	Schetzer	D27/8
2,118,564	5/1938	McCready	131/231
2,141,783	12/1938	Caples	131/242
2,706,484	4/1955	Tiller	206/496 X
2,784,720	3/1957	Royle	131/241
4,353,379	10/1982	Castellanos	131/231

FOREIGN PATENT DOCUMENTS

308799	10/1918	Fed. Rep. of Germany	...	131/240.1
--------	---------	----------------------	-----	-----------

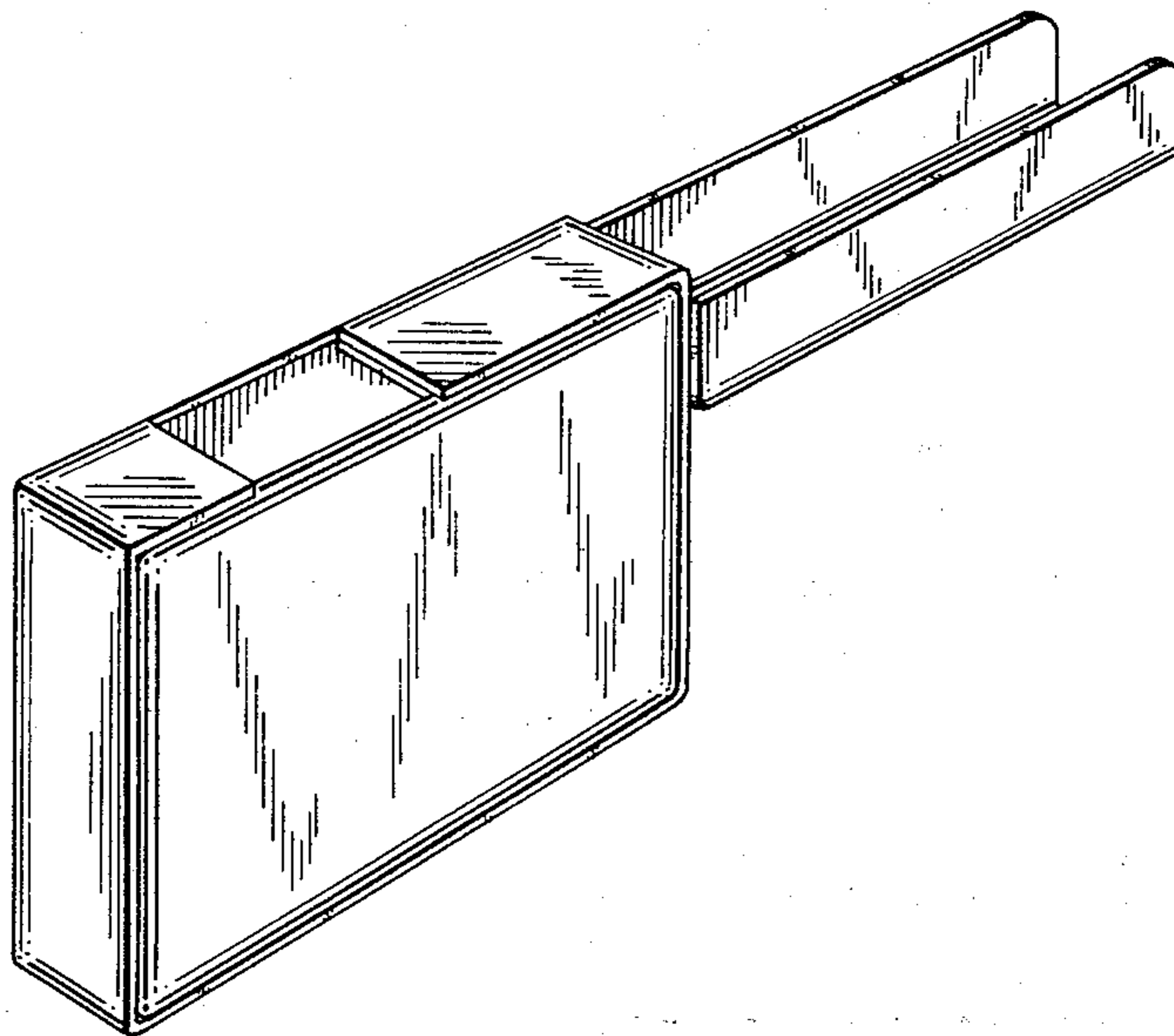
Primary Examiner—Catherine E. Kemper
Attorney, Agent, or Firm—Howard C. Miskin

[57] CLAIM

The ornamental design for a pocket ashtray, as shown and described.

DESCRIPTION

FIG. 1 is a perspective view of a pocket ashtray, showing my new design;
 FIG. 2 is a top plan view thereof;
 FIG. 3 is a front elevational view thereof;
 FIG. 4 is a left side elevational view thereof;
 FIG. 5 is a right elevational view thereof;
 FIG. 6 is a rear elevational view thereof;
 FIG. 7 is a bottom plan view thereof;
 FIG. 8 is a perspective view of the pocket ashtray as it appears when partially opened;
 FIG. 9 is a perspective view of the pocket ashtray as it appears when fully opened;
 FIG. 10 is a top plan view of the pocket ashtray as shown in FIG. 8;
 FIG. 11 is a top plan view of the pocket ashtray as shown in FIG. 9.



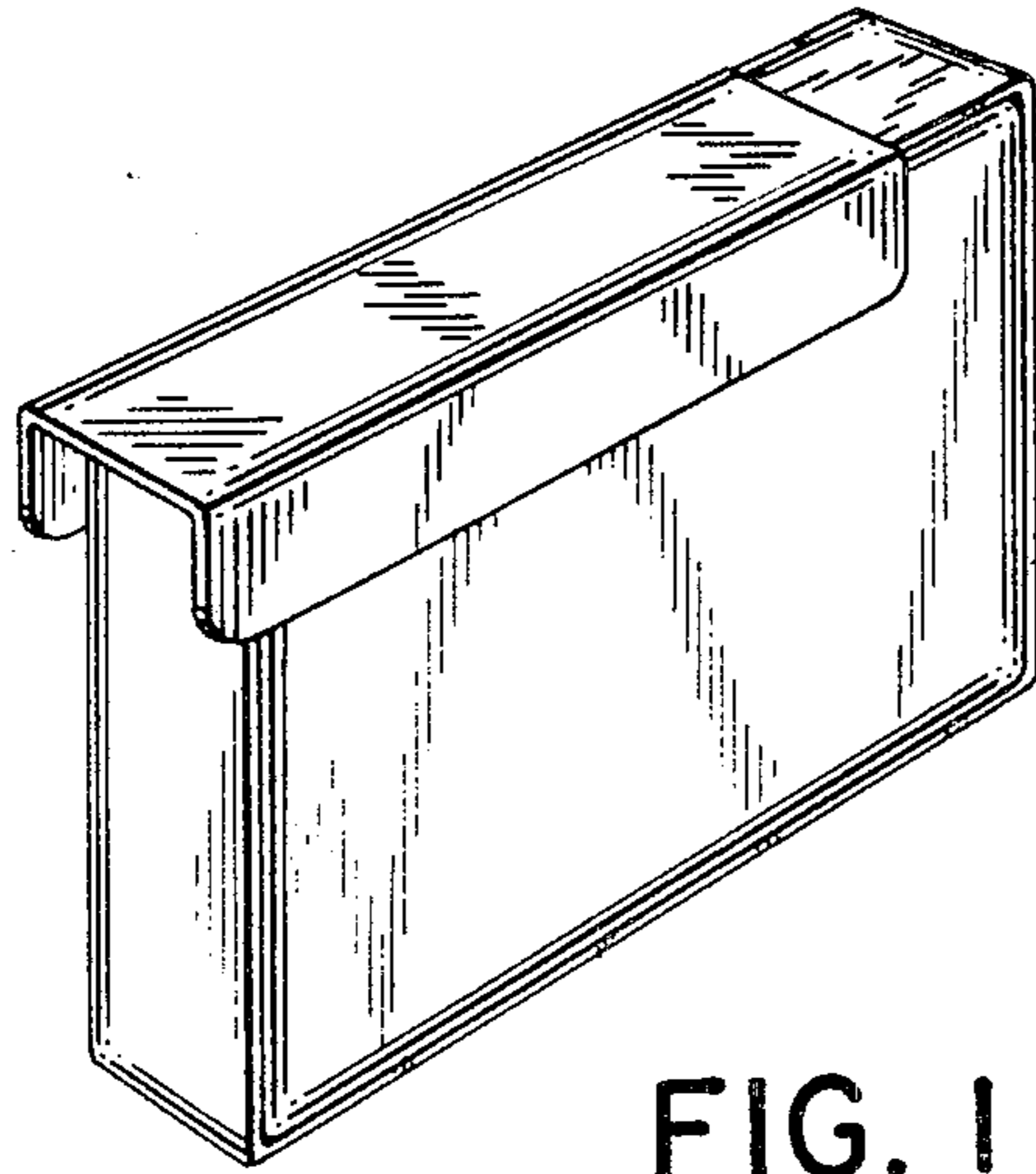


FIG. 1

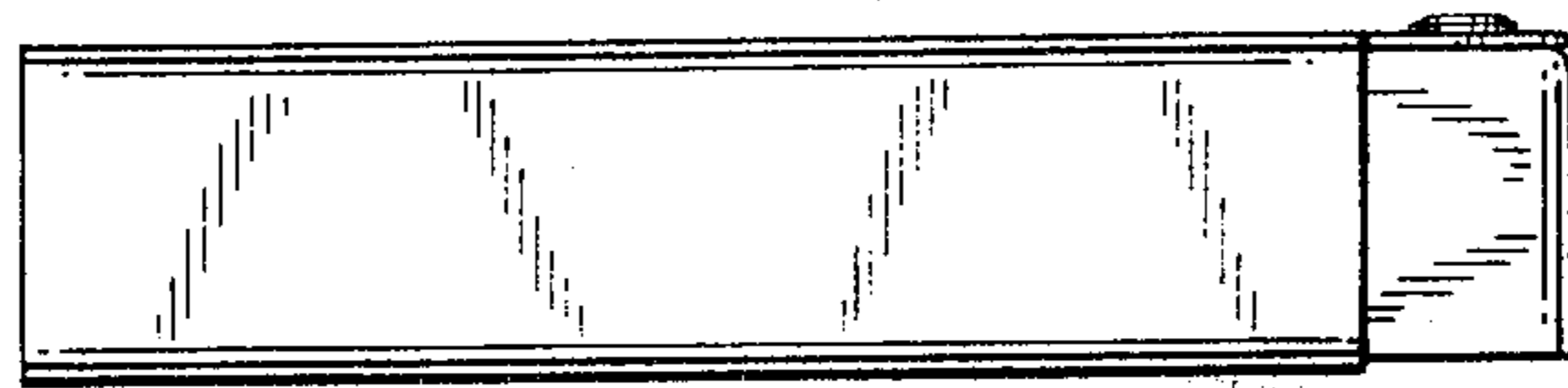


FIG. 2

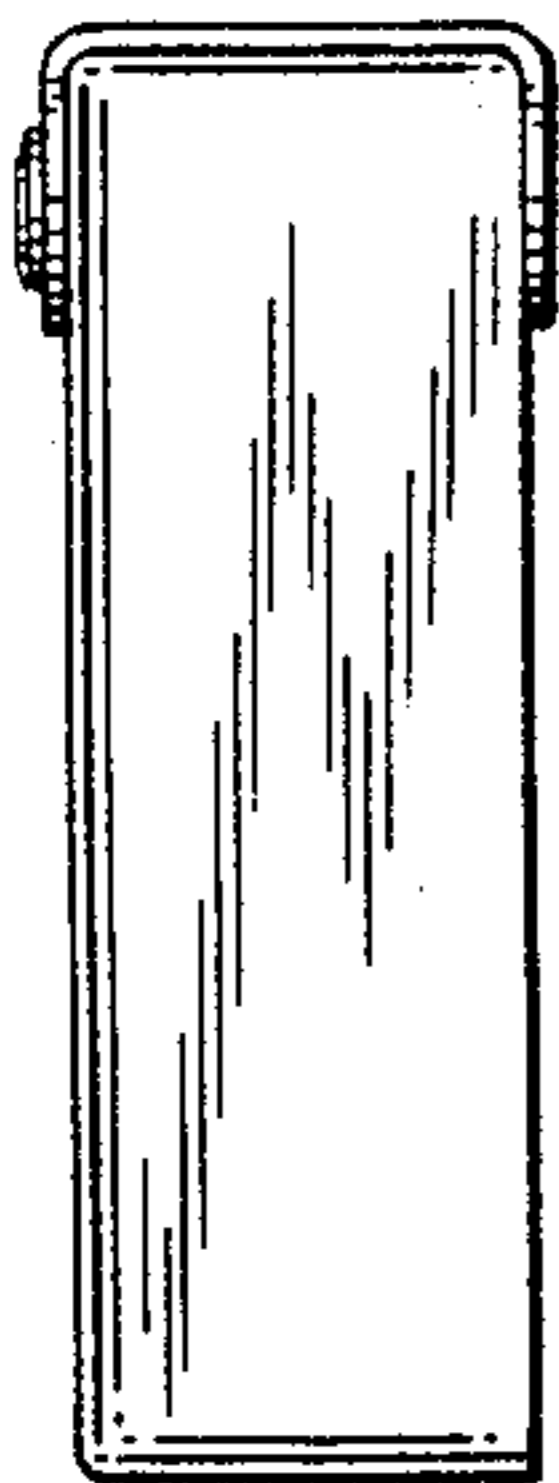


FIG. 4

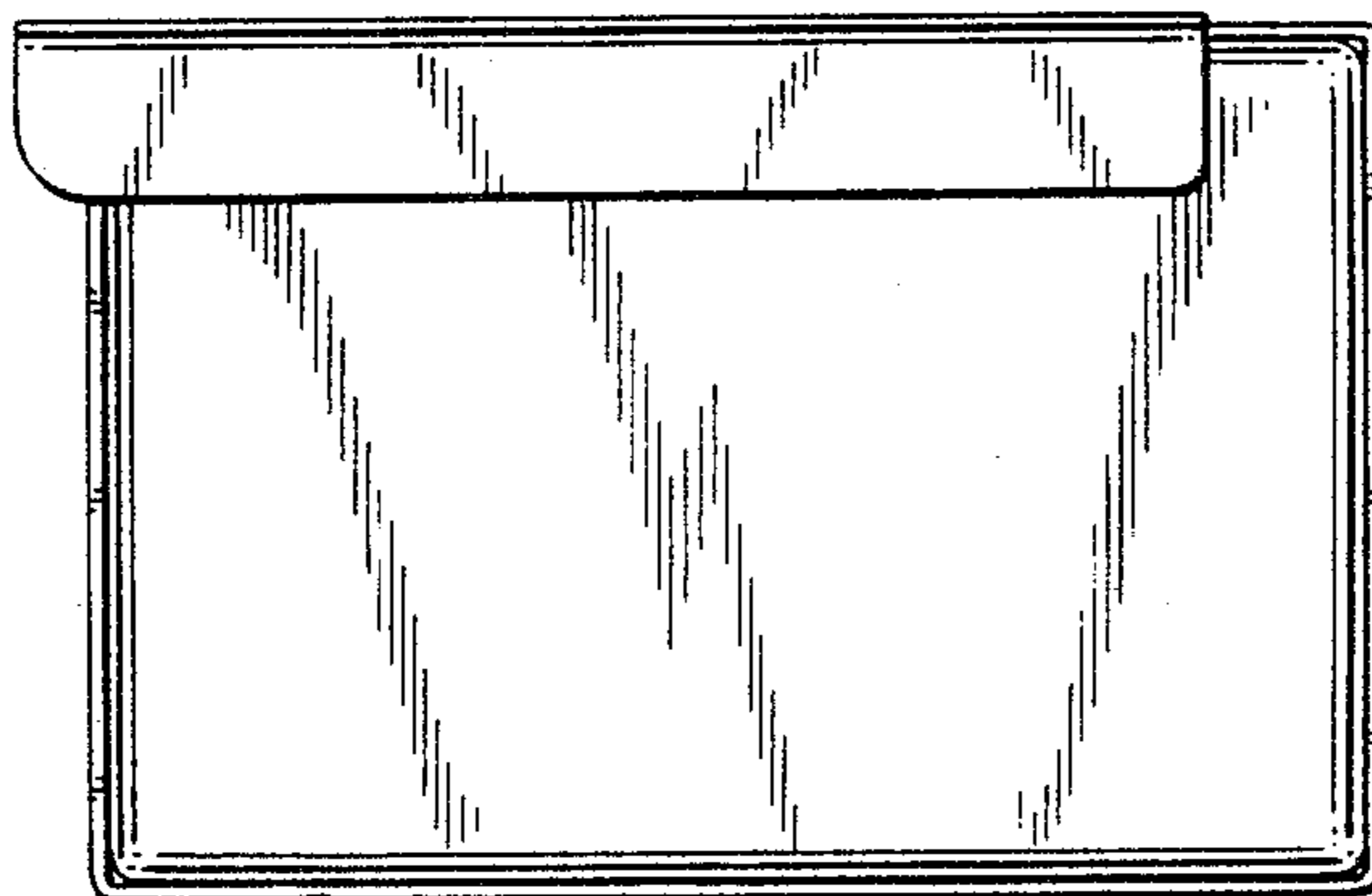


FIG. 3

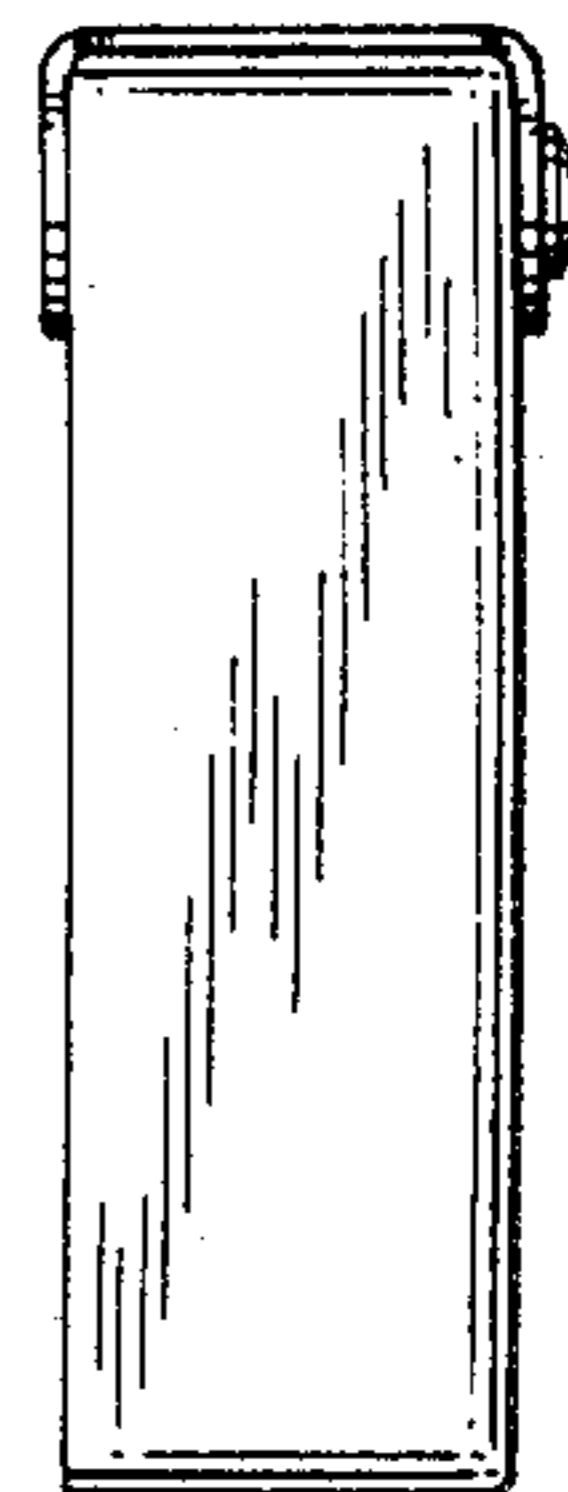


FIG. 5

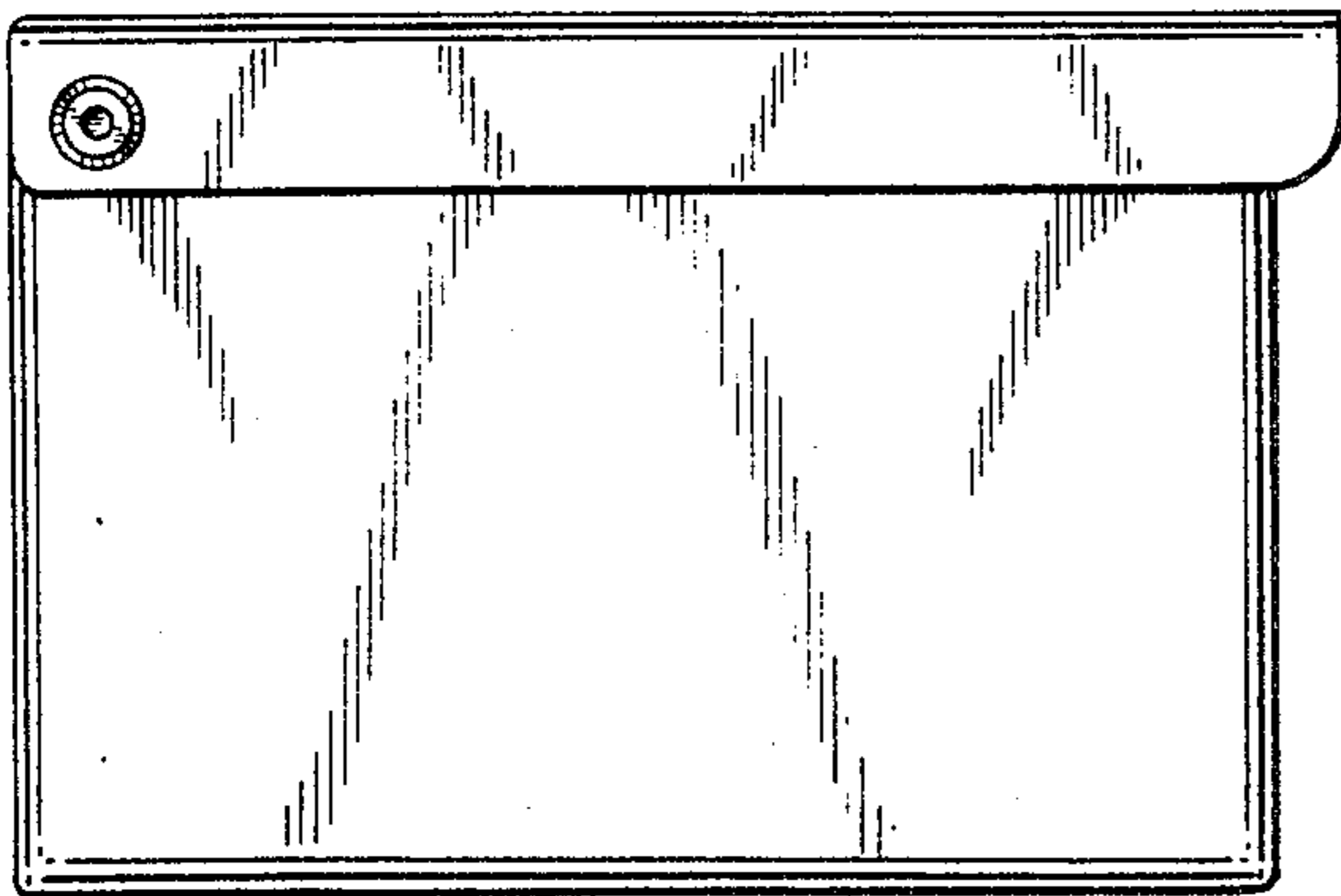


FIG. 6

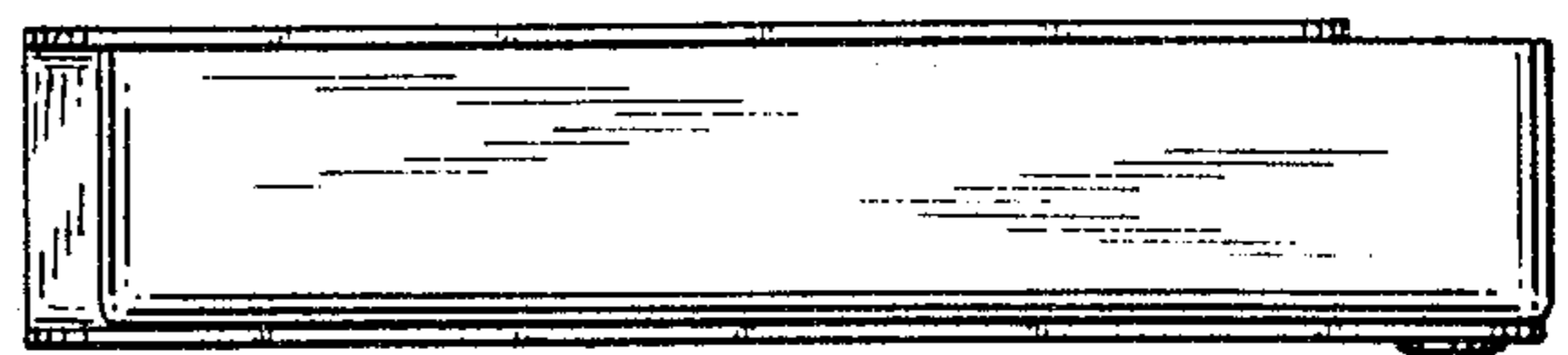


FIG. 7

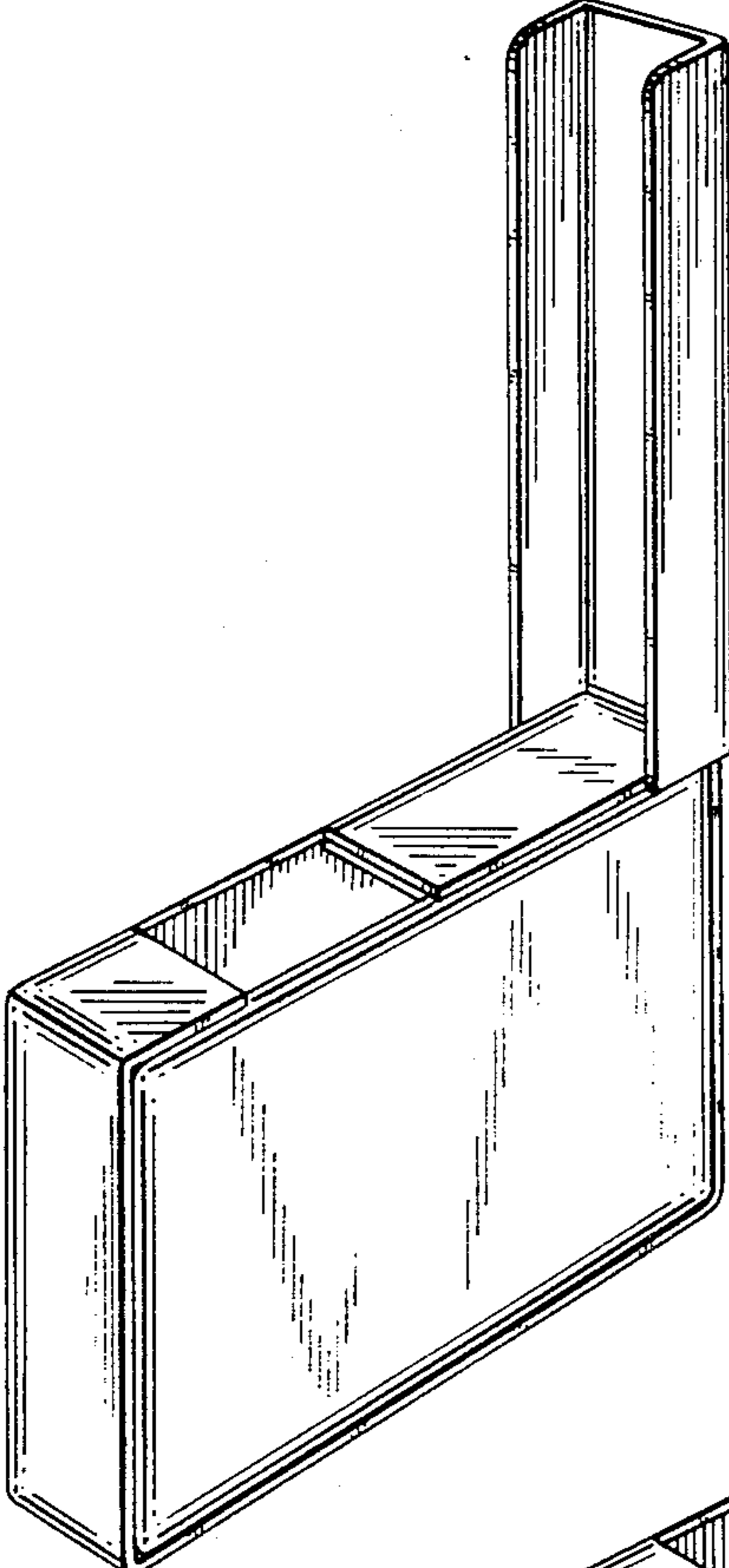


FIG. 8

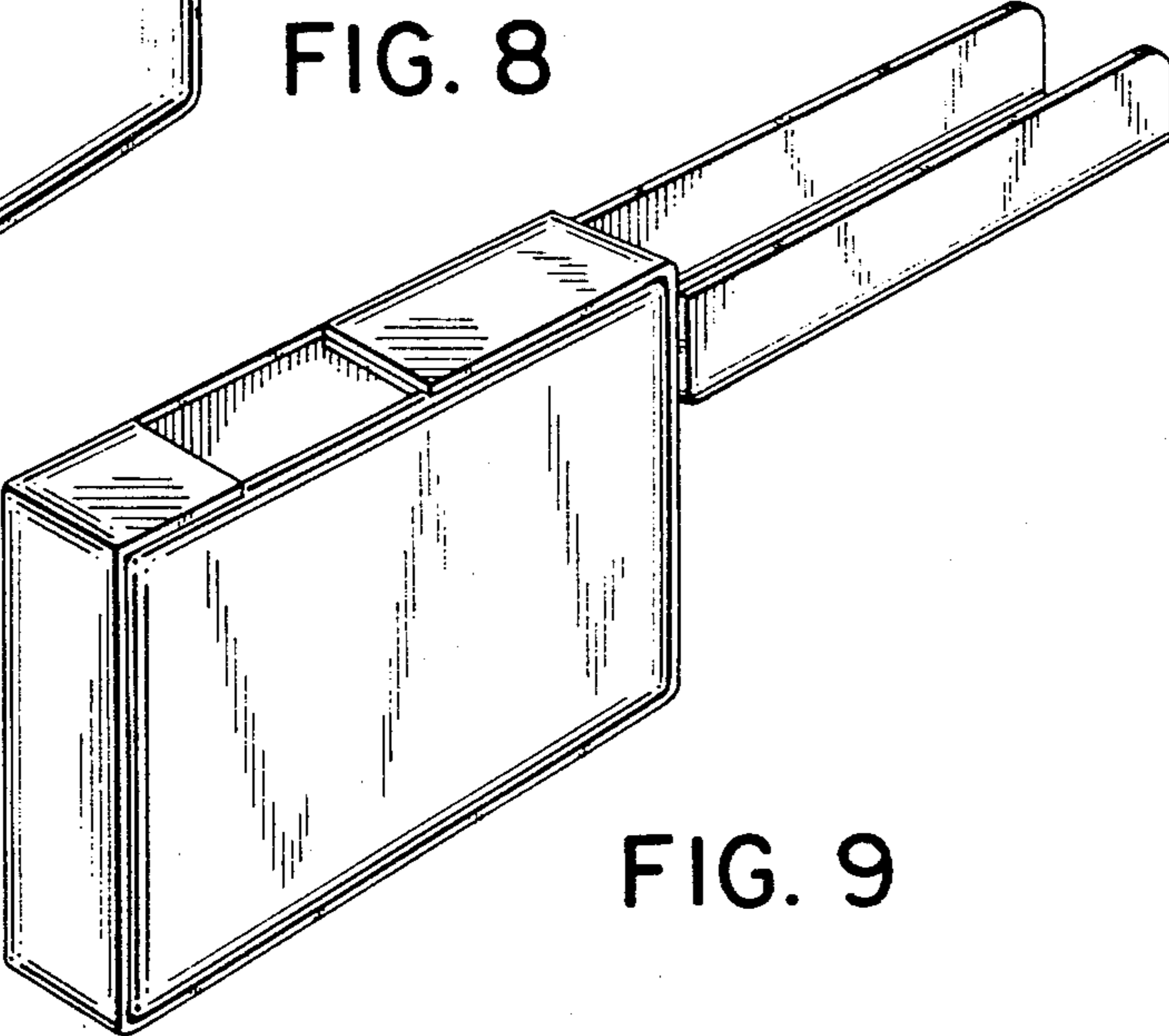


FIG. 9

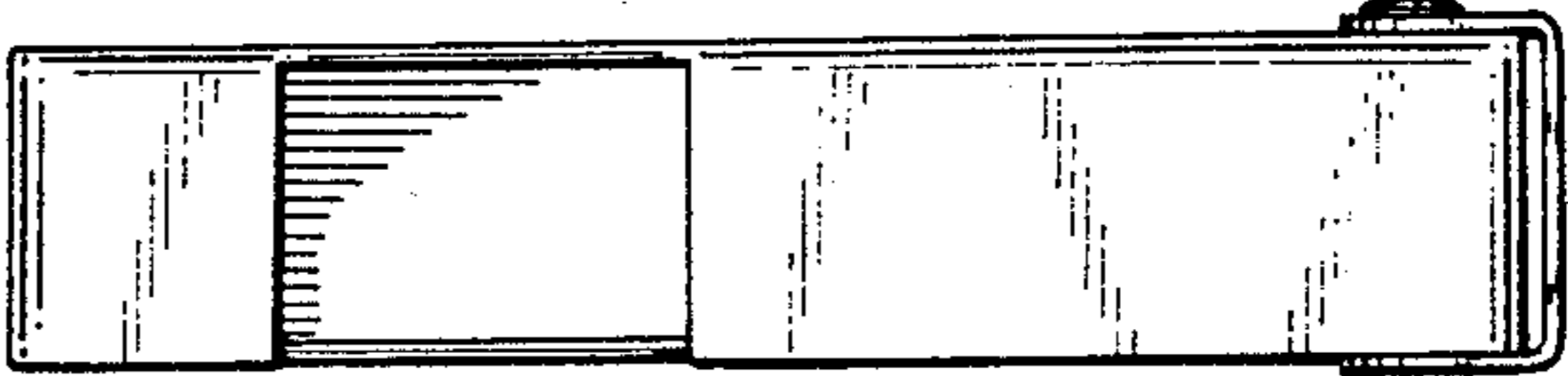


FIG. 10

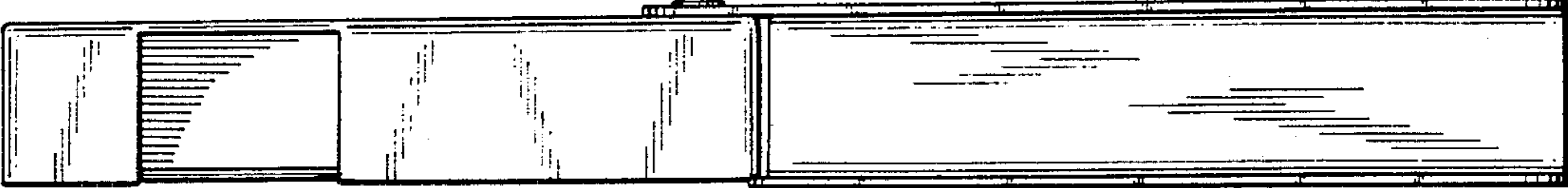


FIG. 11