

[54] HANDLE FOR A DIAGNOSTIC URINEMETER UNIT

[75] Inventors: James K. Bullock, Burbank; William G. Bloom, Northridge; Bernard Siegel, Los Angeles; Richard Lobodzinski, Sunland, all of Calif.

[73] Assignee: American Hospital Supply Corp., Evanston, Ill.

[**] Term: 14 Years

[21] Appl. No.: 712,573

[22] Filed: Mar. 14, 1985

[52] U.S. Cl. D24/17; D24/54

[58] Field of Search D24/54, 17, 8, 29, 30; 128/767, 771, 760, 762; 604/322, 324, 325, 317

[56]

References Cited

U.S. PATENT DOCUMENTS

4,178,934	12/1979	Forman	604/322
4,254,771	3/1981	Vidal	604/325
4,305,405	12/1981	Meisch	128/767

Primary Examiner—A. Hugo Word
Assistant Examiner—Stella M. Reid
Attorney, Agent, or Firm—Roger A. Williams; Paul C. Flattery; Robert E. Hartenberger

[57]

CLAIM

The ornamental design for a handle for a diagnostic urinometer unit, as shown.

DESCRIPTION

FIG. 1 is a perspective view of a handle for a diagnostic urinometer unit showing our new design.
FIG. 2 is a front elevational view of the handle.
FIG. 3 is a rear elevational view of the handle.
FIG. 4 is a top plan view of the handle.
FIG. 5 is a bottom plan view of the handle.
FIG. 6 is a left side elevational view of the handle.
FIG. 7 is a right side elevational view of the handle.

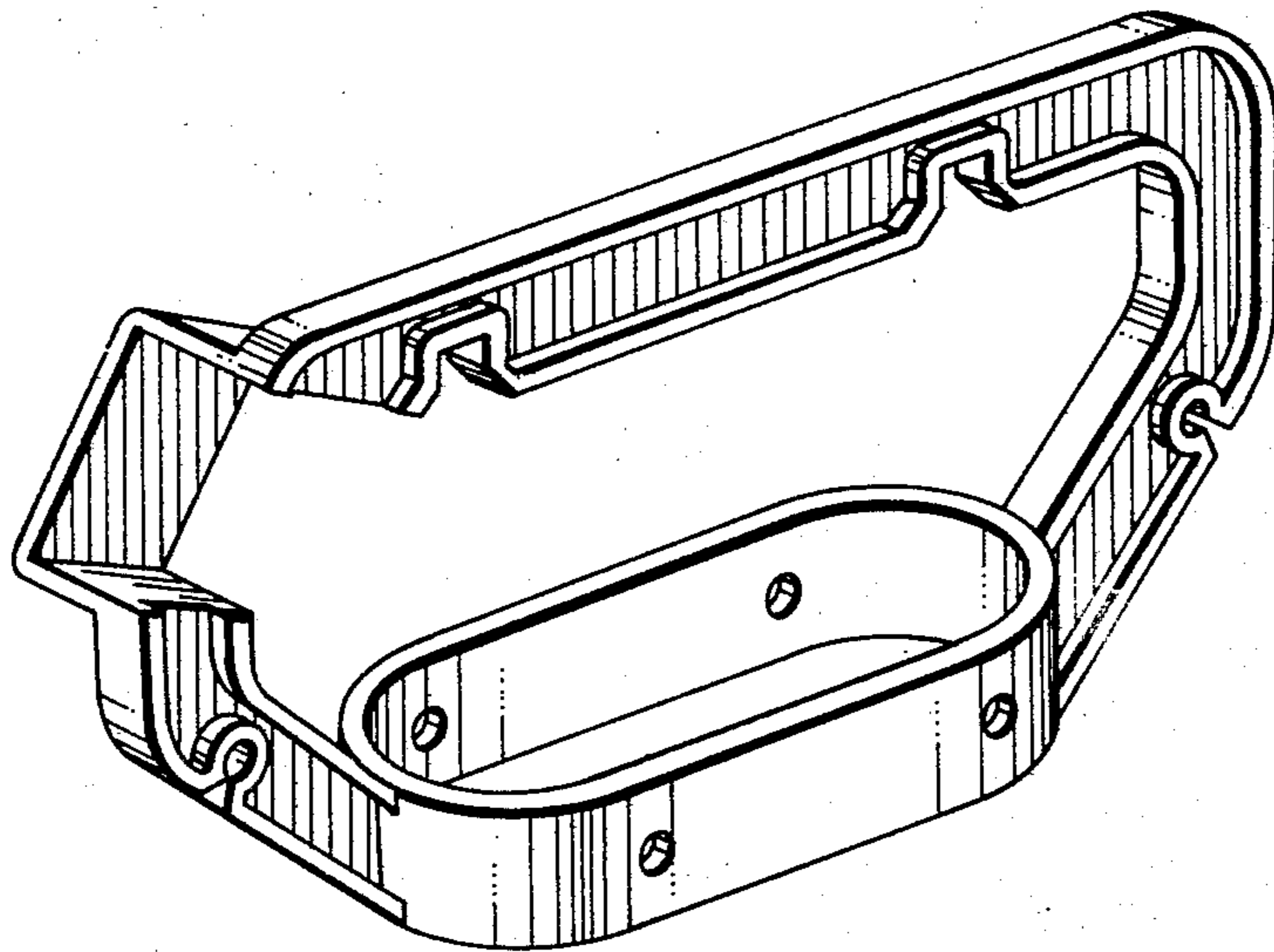


FIG. 1.

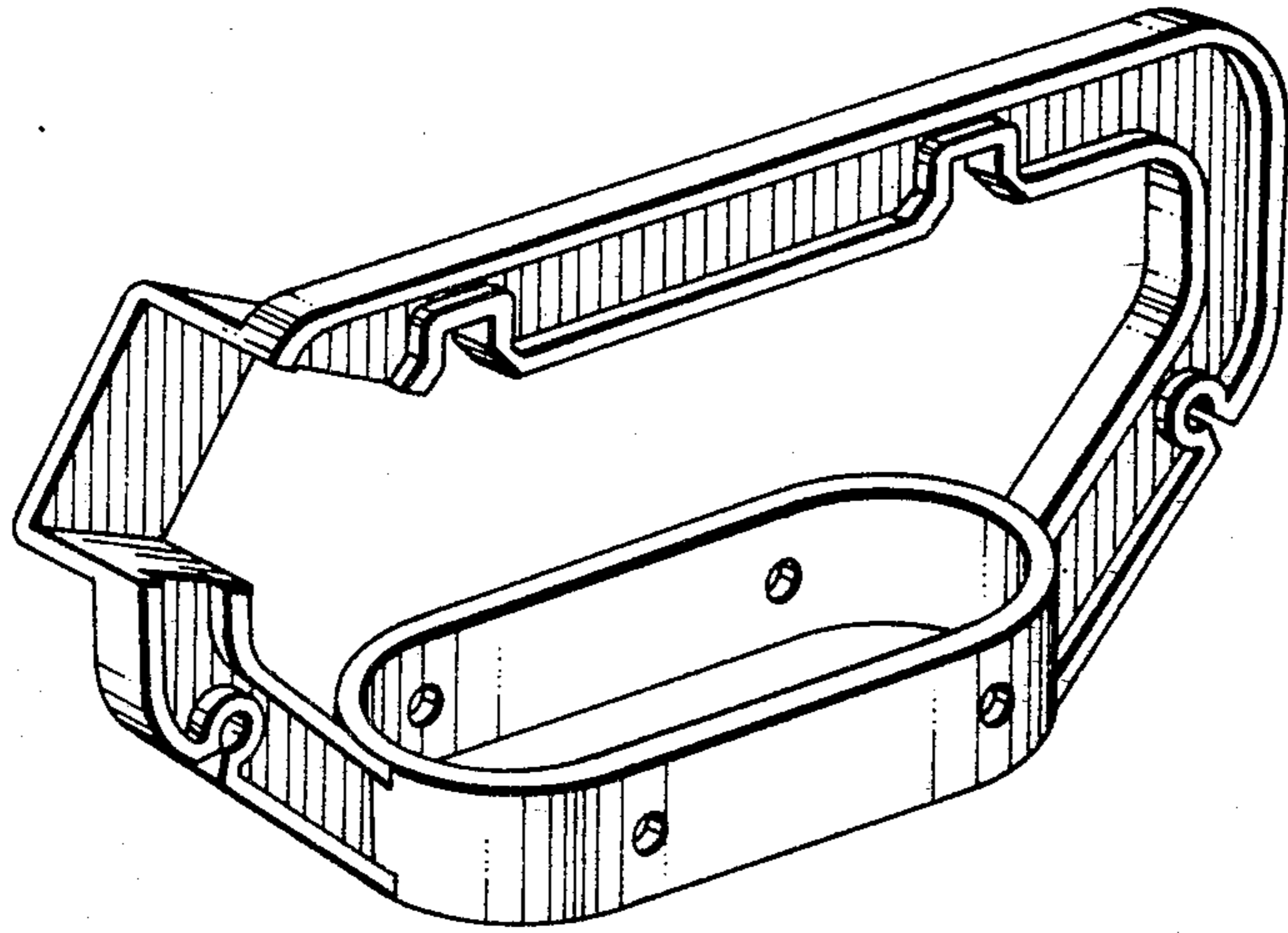


FIG. 2.

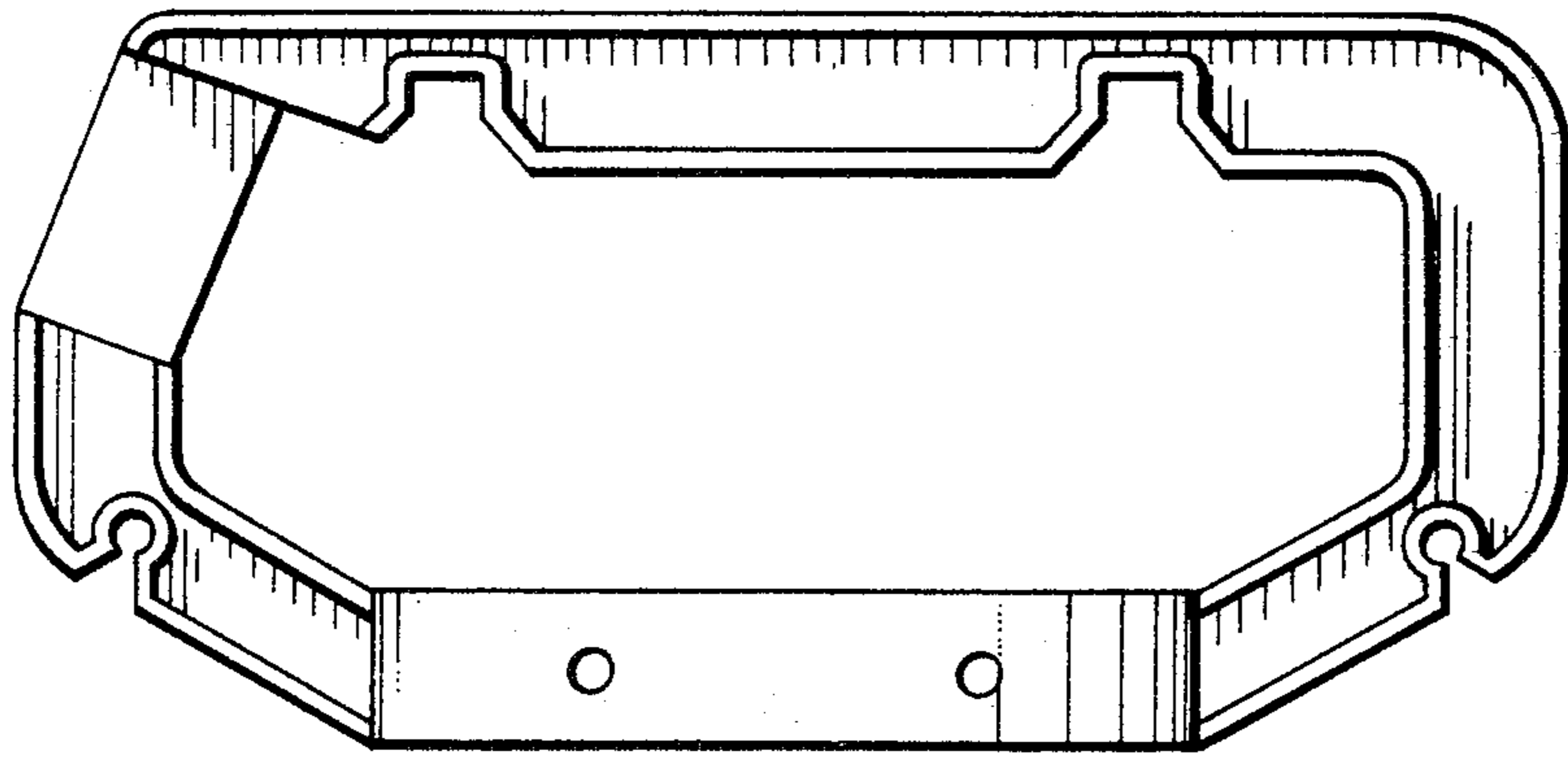


FIG. 3.

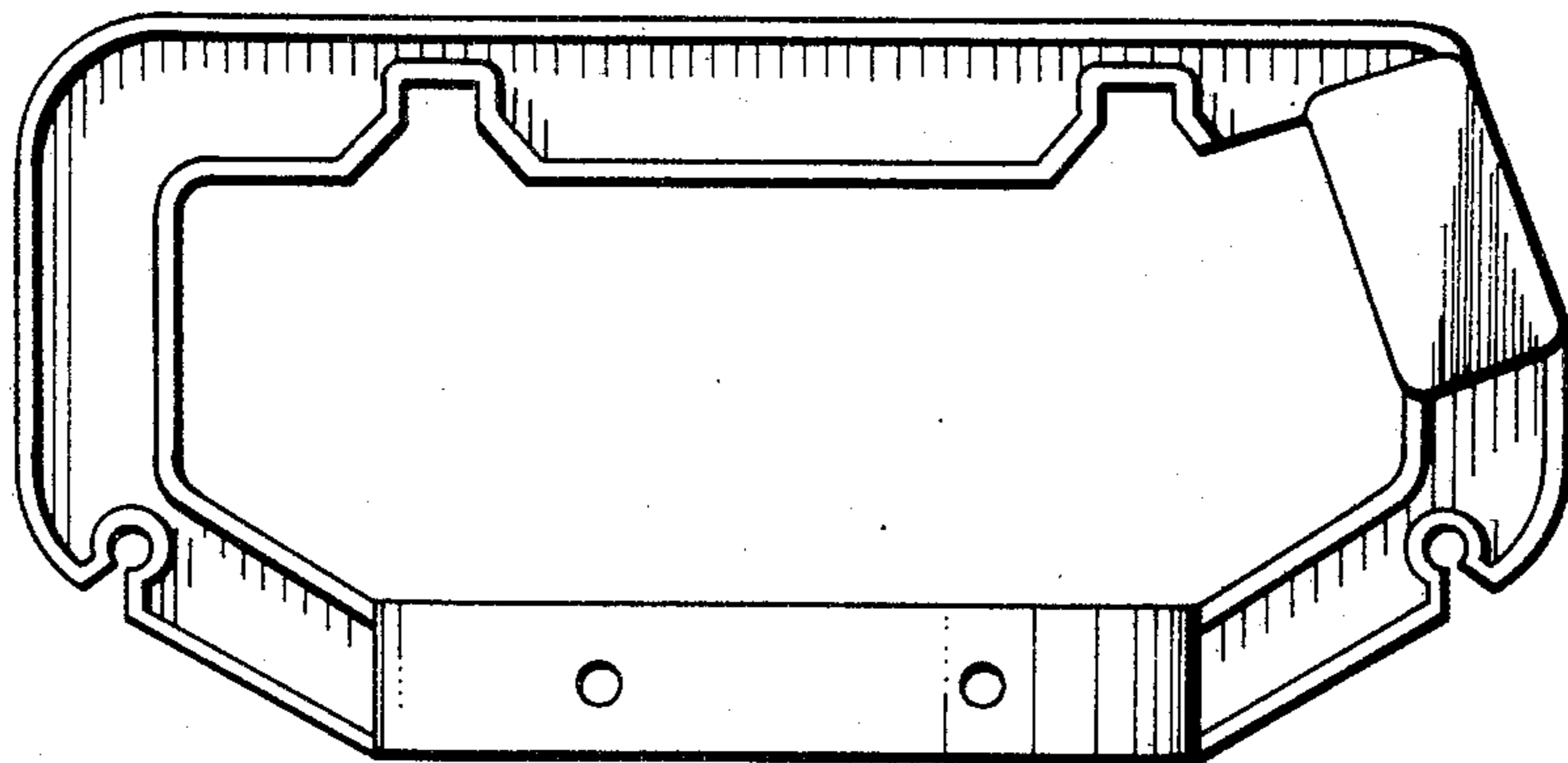


FIG. 4.

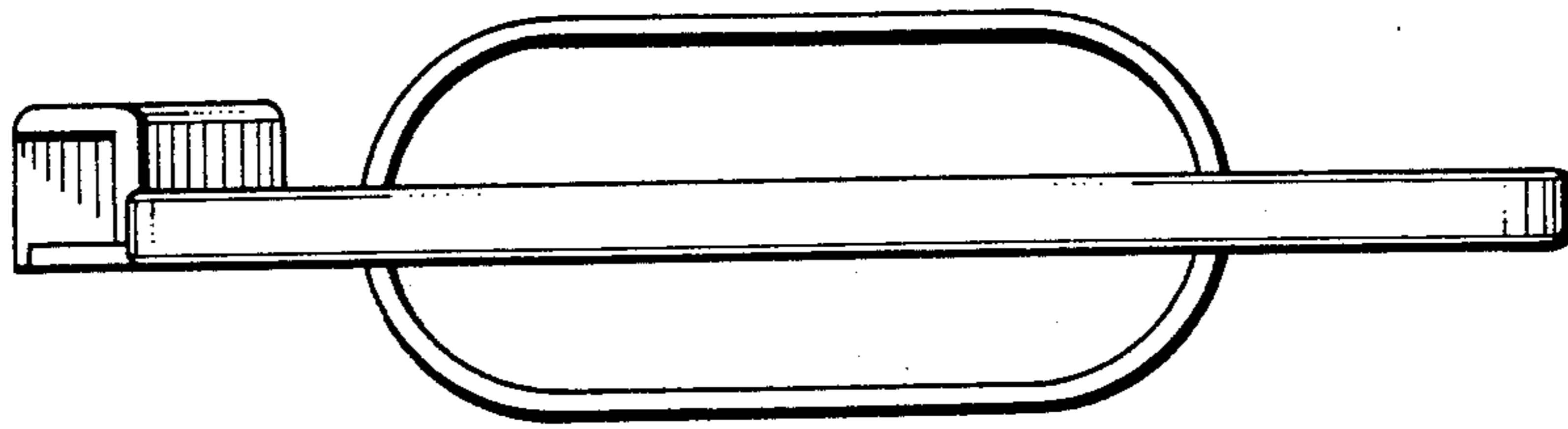


FIG. 5.

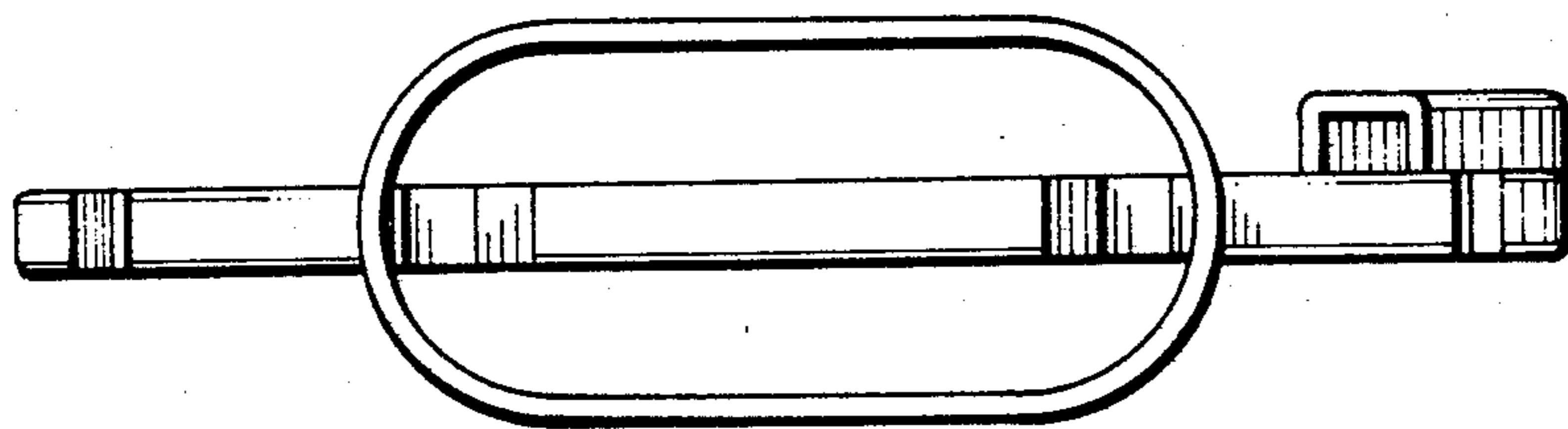


FIG. 6.

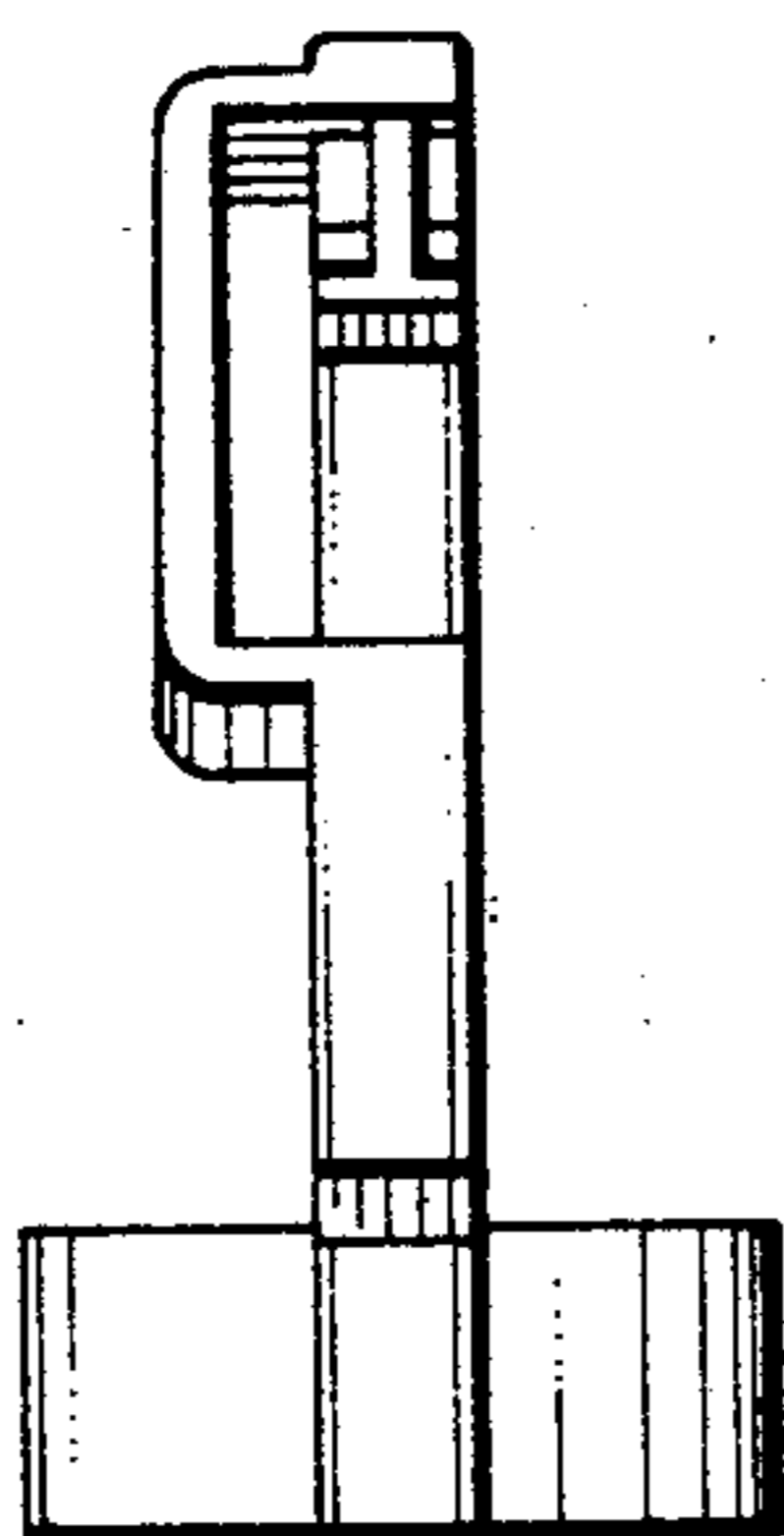


FIG. 7.

