

[54] COMBINED ENDODONTIC GAUGE AND INSTRUMENT HOLDER

[76] Inventor: Walter Stoll, 2943 Emmick Dr., Toledo, Ohio 43606

[**] Term: 14 Years

[21] Appl. No.: 805,928

[22] Filed: Nov. 19, 1985

[52] U.S. Cl. D24/16

[58] Field of Search D24/4-5, D24/10-16, 31-32; 433/3, 49-51, 56, 72, 77, 299, 163; 206/514-520

[56] References Cited

U.S. PATENT DOCUMENTS

D. 216,796	3/1970	Weissman	D24/10
D. 218,503	8/1970	Perkinson	D24/31
1,704,122	3/1929	Cohen	206/368
3,451,133	6/1969	Hathaway et al.	206/369 X
4,382,788	5/1983	Pelerin	433/77

FOREIGN PATENT DOCUMENTS

385436	3/1965	Switzerland	D24/31 X
--------	--------	-------------------	----------

OTHER PUBLICATIONS

Henry Schein Dental Catalogue 1982, p. 267-Endodontic Measuring Guage #5333.

S. S. White Dental Catalogue 1965, p. 133-Arch Former No. 425.

Primary Examiner—Wallace R. Burke

Assistant Examiner—Brian N. Vinson

[57] CLAIM

The ornamental design for a combined endodontic gauge and instrument holder, as shown and described.

DESCRIPTION

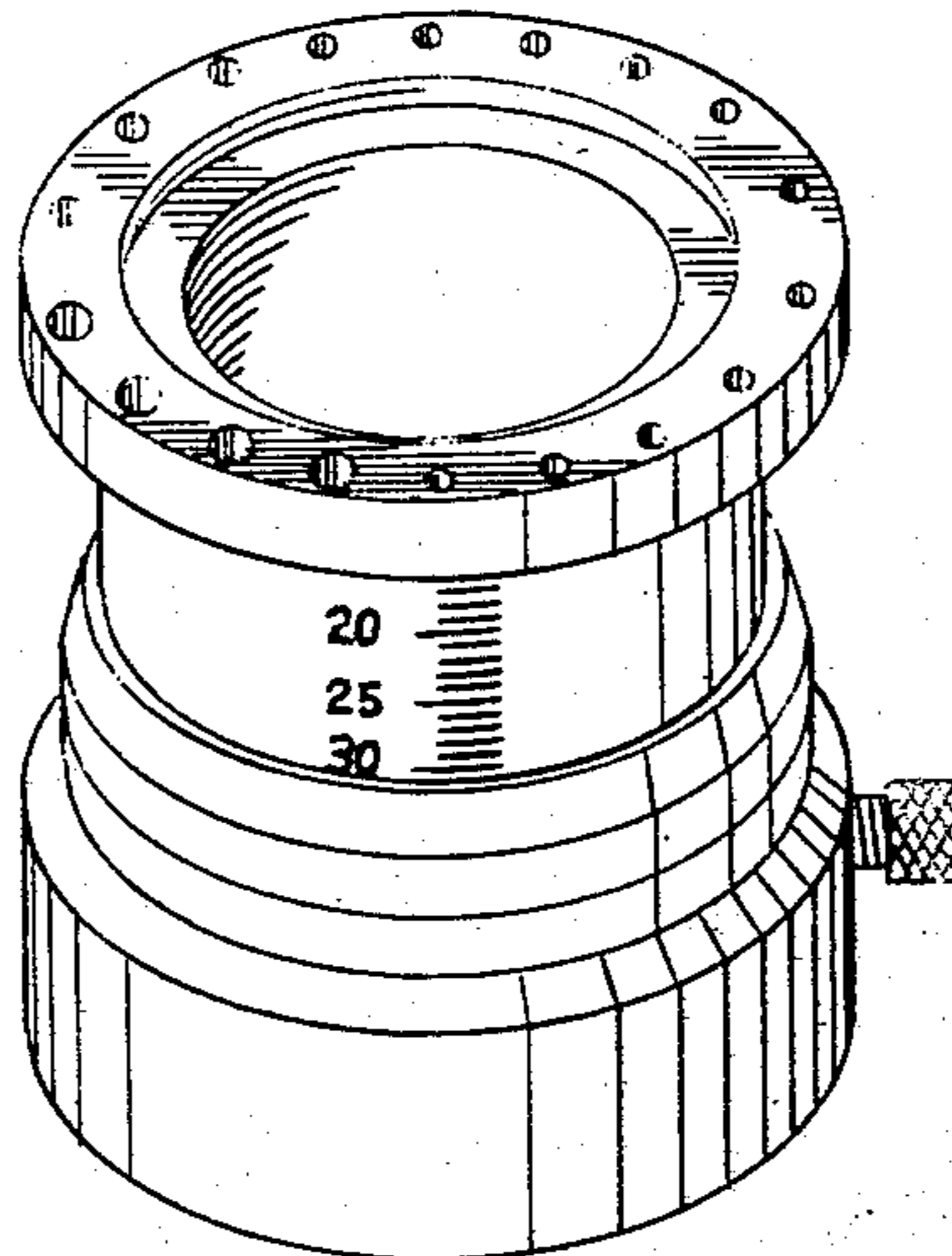
FIG. 1 is a top perspective view of a combined endodontic gauge and instrument holder showing my new design;

FIG. 2 is a side elevational view thereof, the opposite side and adjacent front and rear being substantially similar in appearance;

FIG. 3 is a bottom plan view thereof;

FIG. 4 is a top plan view thereof;

FIG. 5 is a bottom plan view of a second embodiment thereof, the only difference residing in the placement of the knob element.



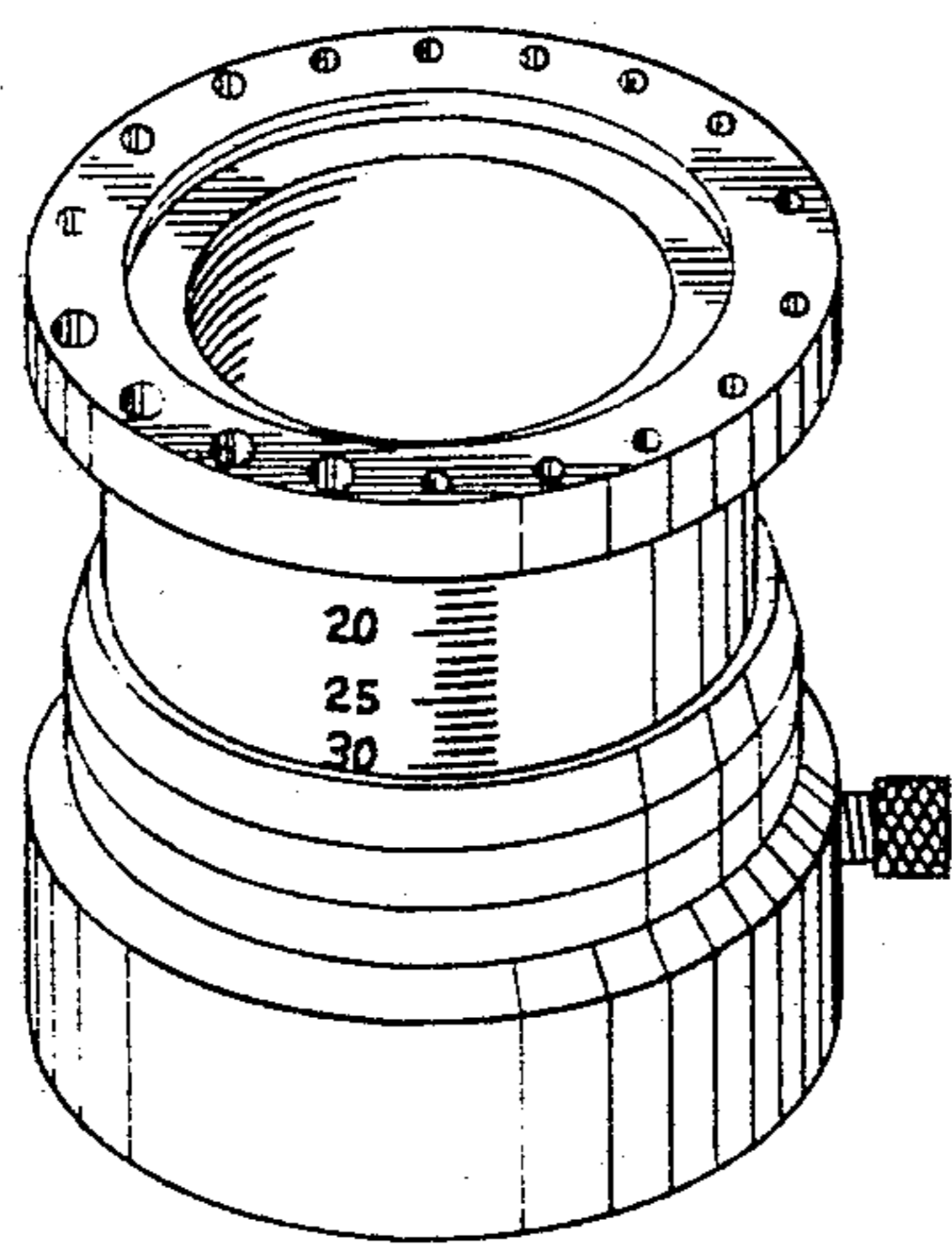


FIG. 1

FIG. 2

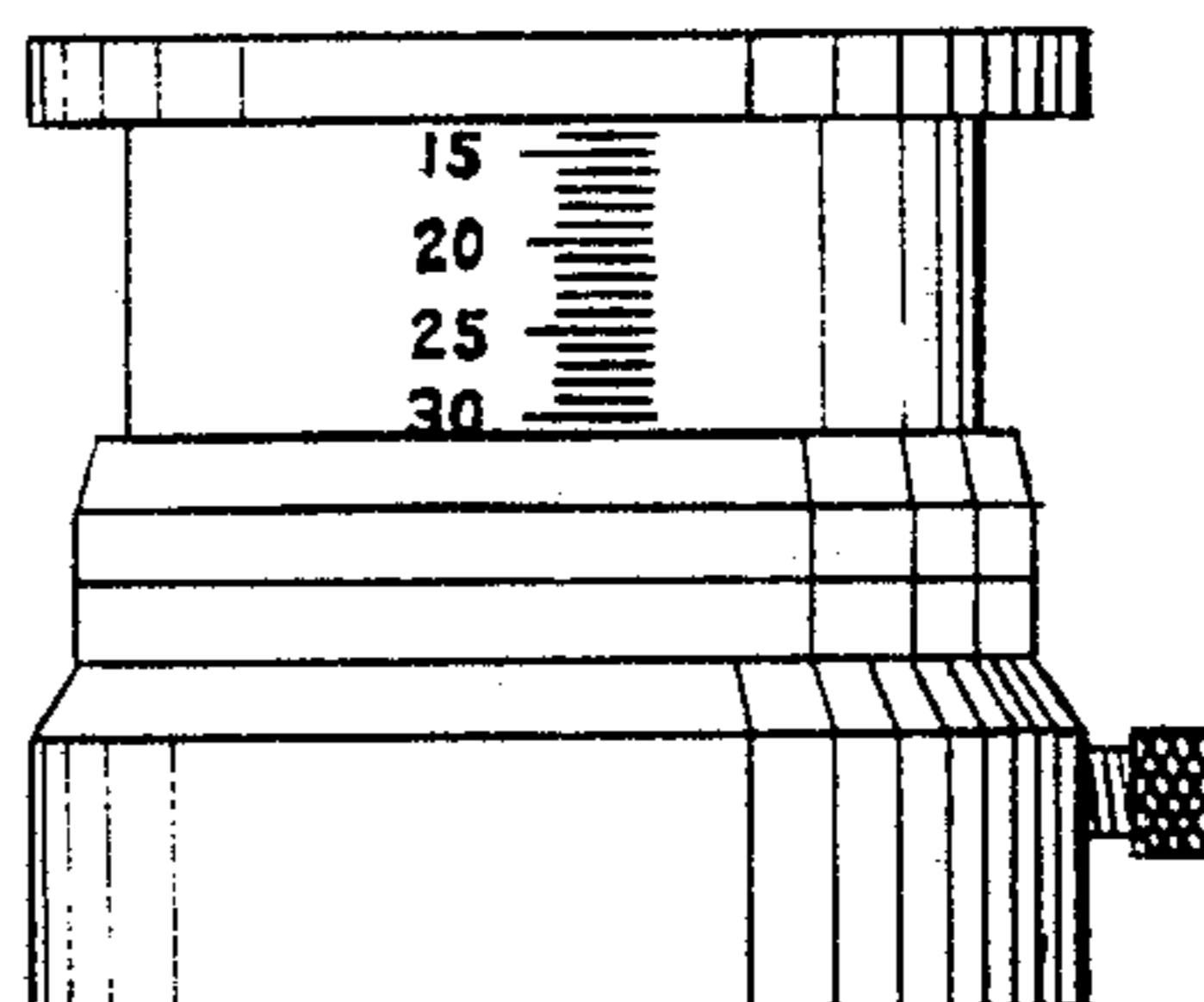


FIG. 3

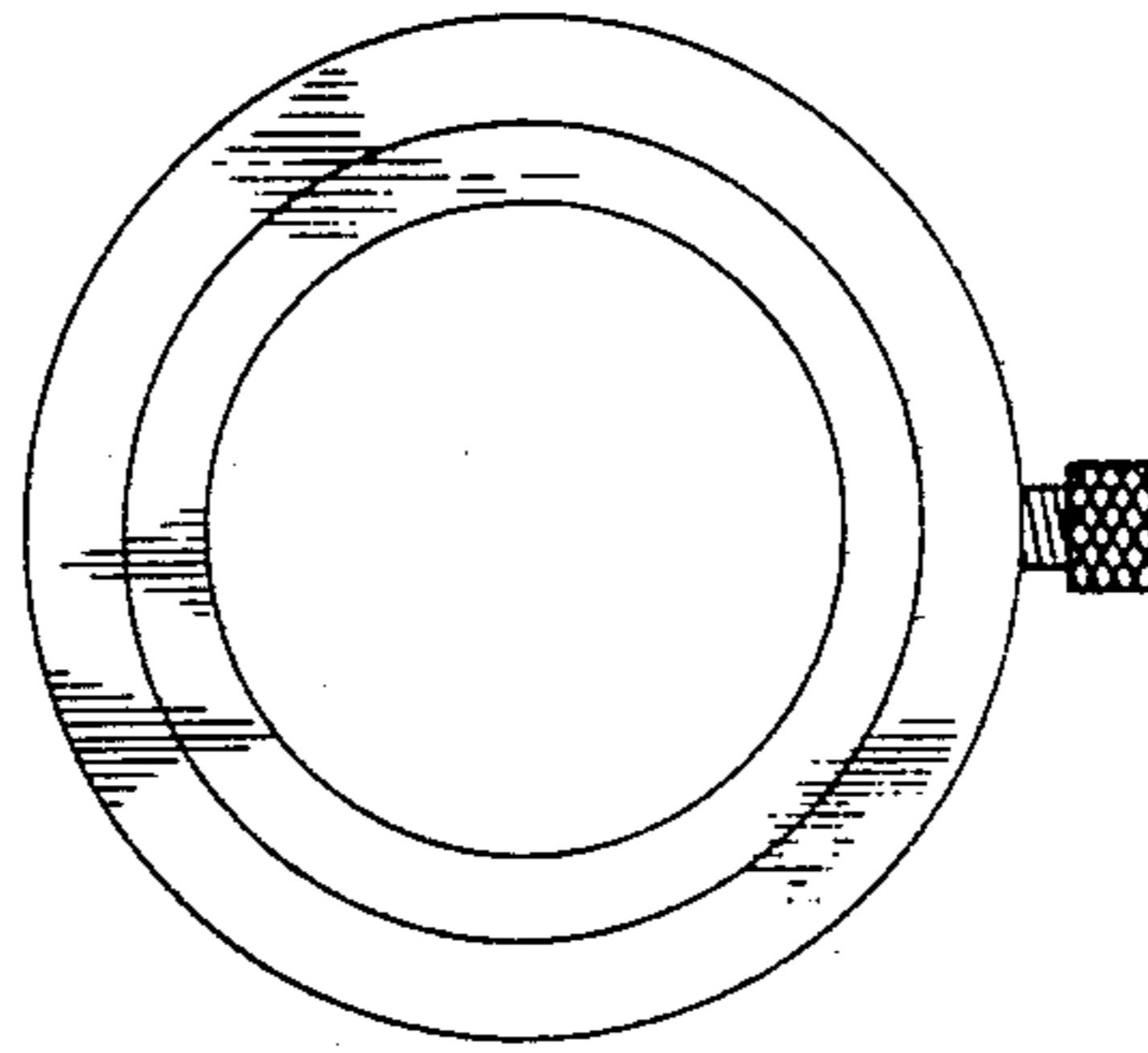


FIG. 4

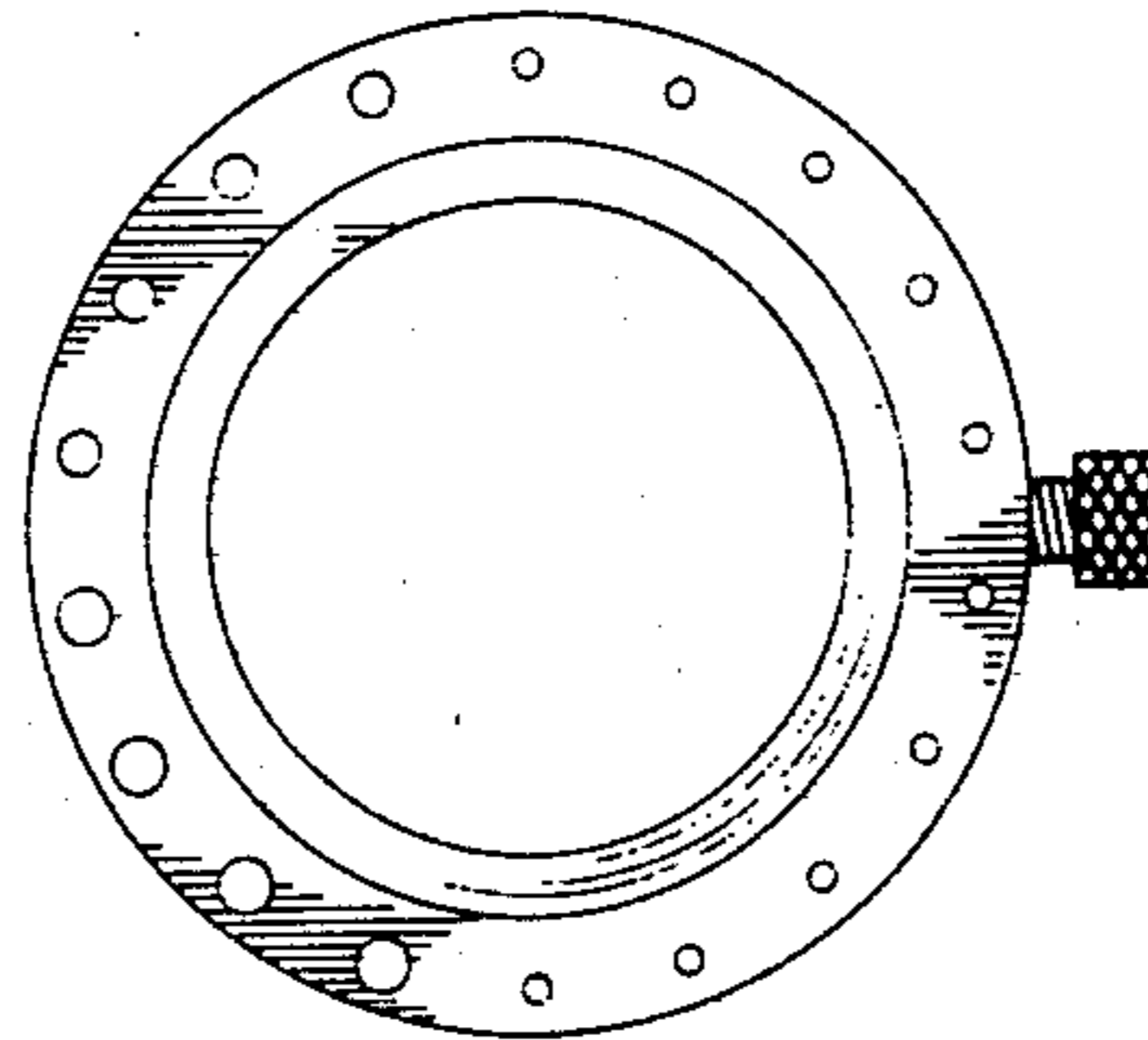


FIG. 5

