

[54] STOVE DOOR

[76] Inventors: Kurt W. F. Rumens; Robert E. Holley, both of 10850 117th Pl. NE., Kirkland, Wash. 98033

[**] Term: 14 Years

[21] Appl. No.: 676,669

[22] Filed: Nov. 30, 1984
[52] U.S. Cl. D23/128
[58] Field of Search D23/93-97,
D23/128; 126/4, 6, 58, 60-66, 120, 121, 123,
126, 190, 132, 135

[56]

References Cited

U.S. PATENT DOCUMENTS

D. 250,833	1/1979	Loftis et al.	D23/97
D. 265,680	8/1982	Hicks, Jr. et al.	D23/97
D. 272,384	1/1984	Rumens	D23/128
D. 276,180	10/1984	Buehler	D23/94

Primary Examiner—Catherine E. Kemper
Attorney, Agent, or Firm—Seed and Berry

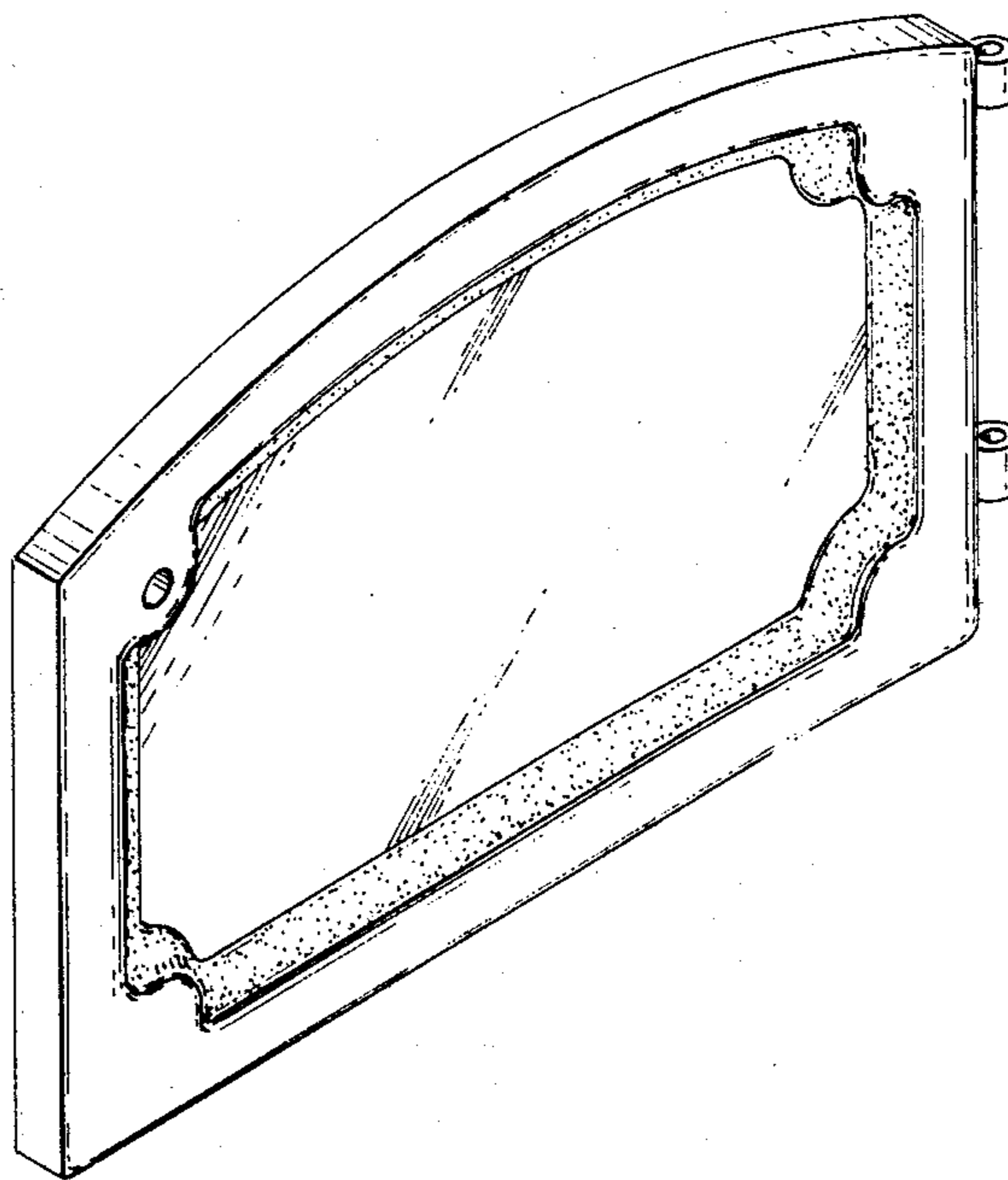
[57]

CLAIM

The ornamental design for a stove door, substantially as shown and described.

DESCRIPTION

FIG. 1 is an isometric view of a stove door, showing our new design;
FIG. 2 is a front elevational view thereof;
FIG. 3 is a rear elevational view thereof;
FIG. 4 is a top plan view thereof;
FIG. 5 is a side elevational view thereof.



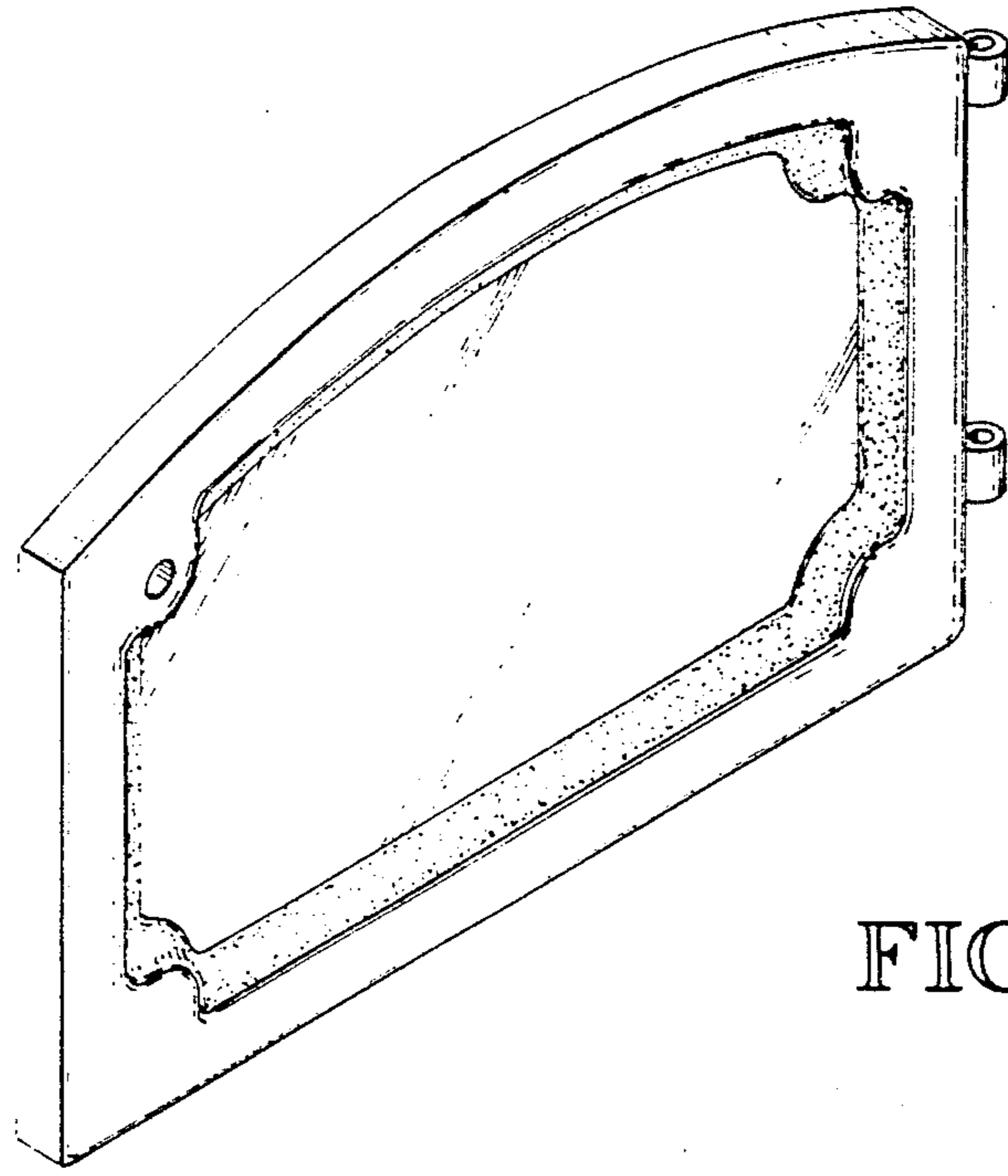


FIG. 1

FIG. 2

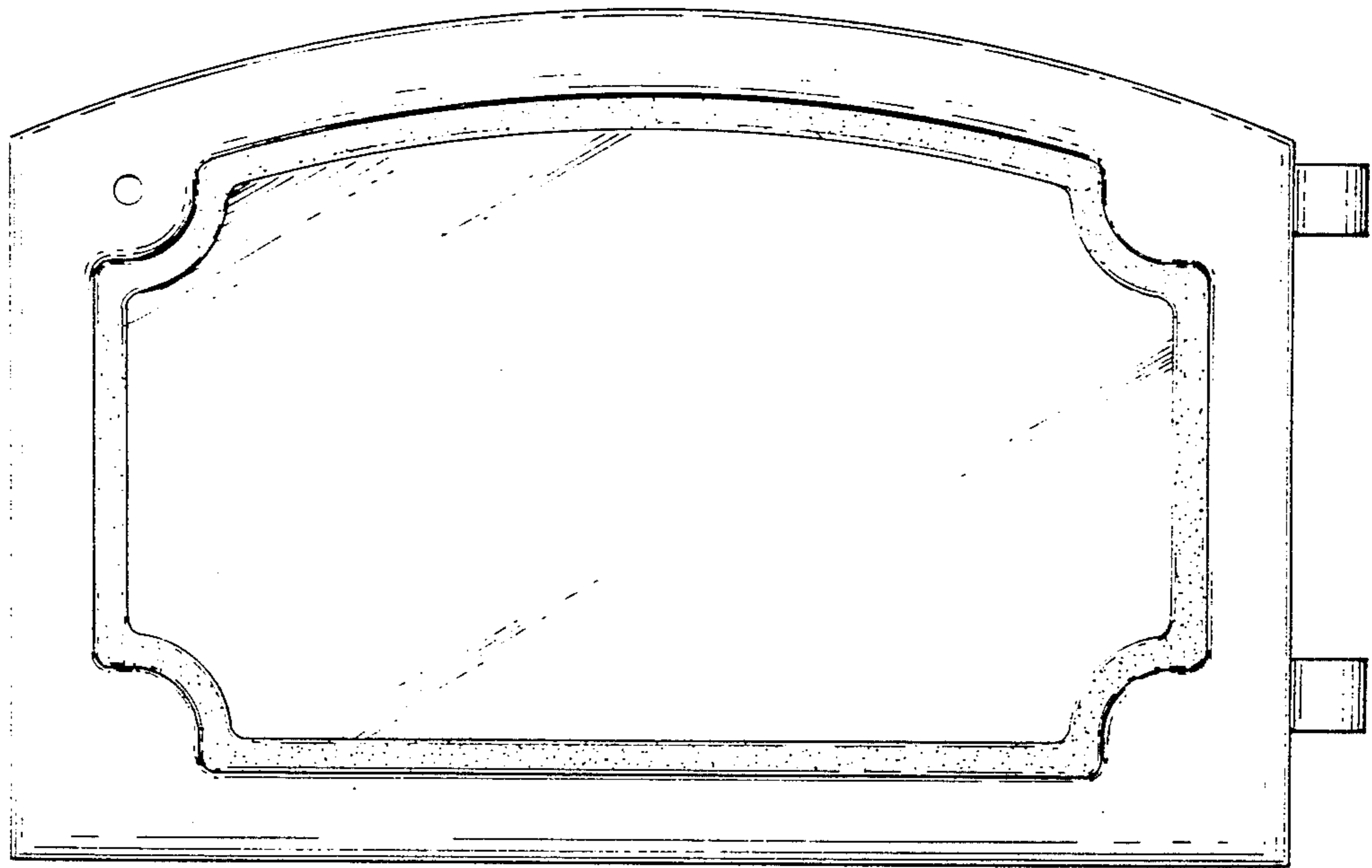


FIG. 3

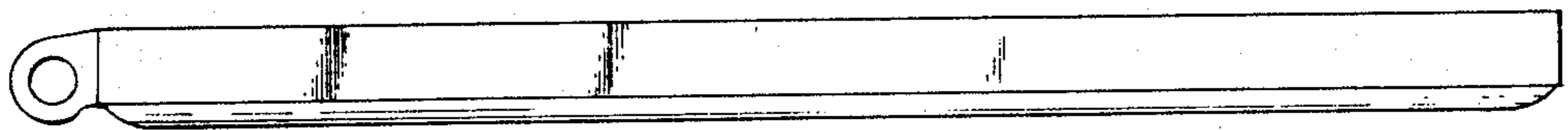
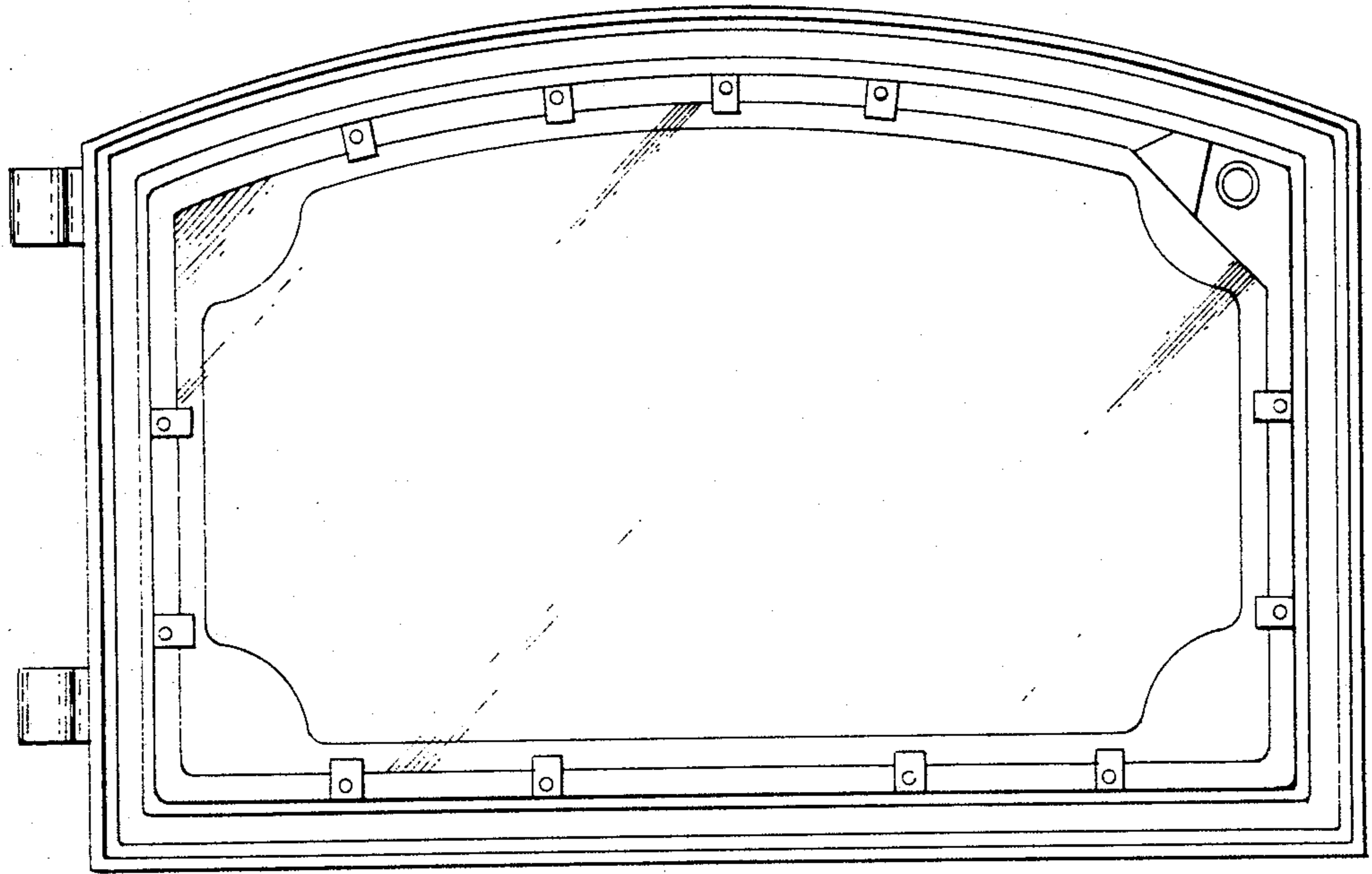


FIG. 4

FIG. 5

