

[54] COMBINED TOILET SEAT AND COVER, OR SIMILAR ARTICLE

3,790,969 2/1974 Waldon ..... 4/236

[75] Inventor: Louis L. Lepoix, Baden-Baden, France

Primary Examiner—James R. Largent  
Attorney, Agent, or Firm—Ladas & Parry

[73] Assignee: Dansk Pressalit A/S, Arhus C, Denmark

[57] CLAIM

The ornamental design for a combined toilet seat and cover, or similar article, as shown and described.

[\*\*] Term: 14 Years

DESCRIPTION

[21] Appl. No.: 761,371

FIG. 1 is a perspective view taken from the top, rear and left side of a combined toilet seat and cover, or similar article, showing my new design;

[22] Filed: Aug. 1, 1985

FIG. 2 is a perspective view taken from the top, front and left side thereof showing the cover in an open position;

[30] Foreign Application Priority Data

Feb. 22, 1985 [DK] Denmark ..... 142-85

[52] U.S. Cl. .... D23/71

FIG. 3 is a perspective view taken from the top and front of the seat portion thereof;

[58] Field of Search ..... D23/71; 4/234, 235, 4/236, 239, 242

FIG. 4 is a perspective view taken from the bottom and right side of FIG. 3;

[56] References Cited

U.S. PATENT DOCUMENTS

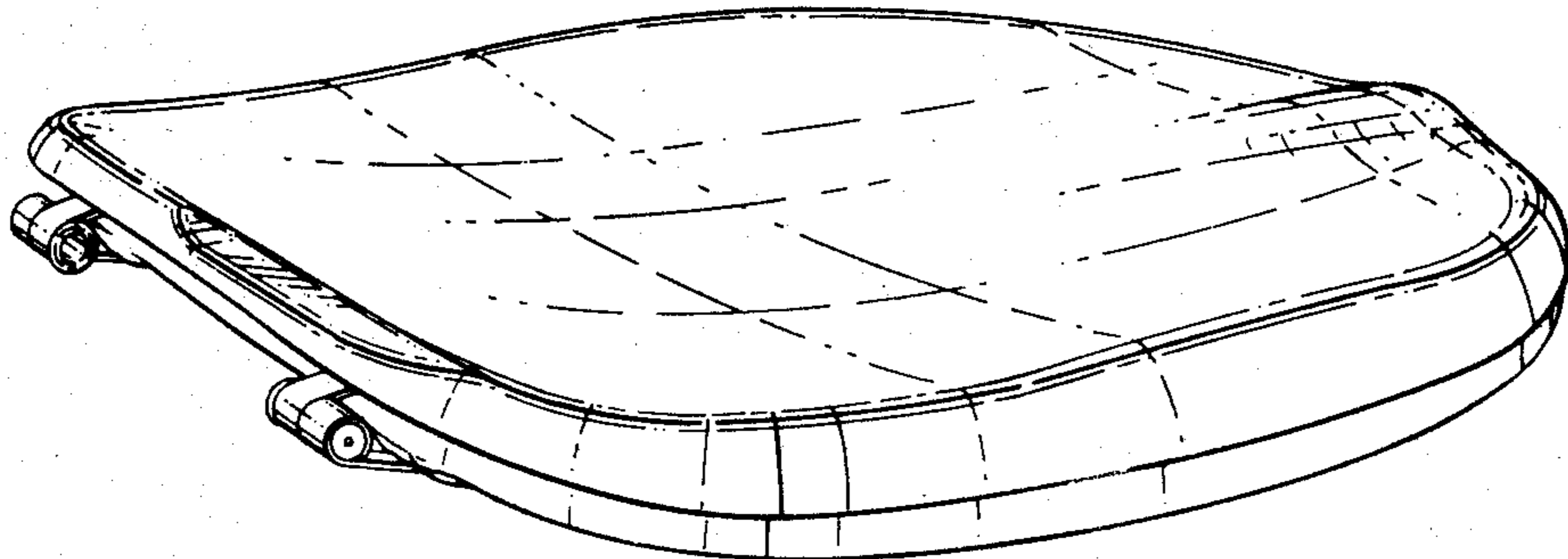
D. 240,038	5/1976	Colani	.....	D23/71
D. 261,029	9/1981	Boyter	.....	D23/71
D. 262,486	12/1981	Boyter	.....	D23/71
D. 262,733	1/1982	Bjorn	.....	D23/71
3,517,396	6/1970	Wert	.....	4/234
3,590,401	7/1971	Brown	.....	4/236

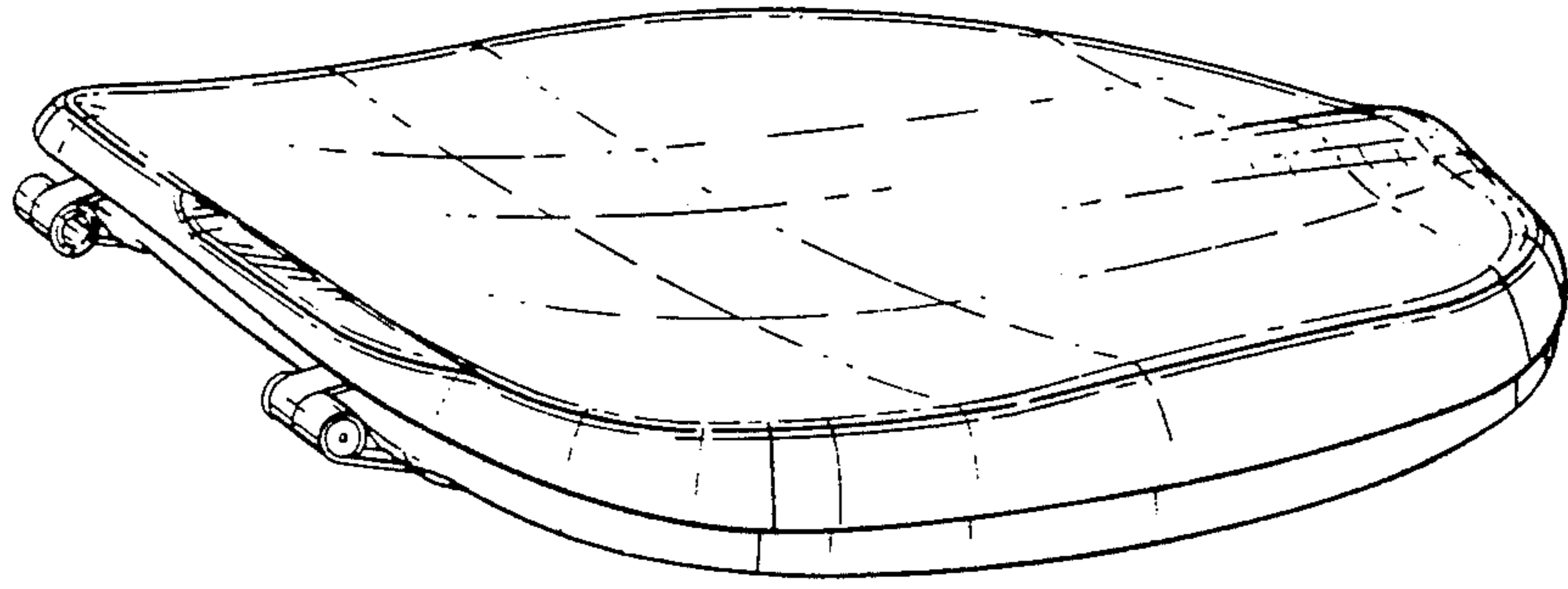
FIG. 5 is a perspective view taken from the top and left side of FIG. 3;

FIG. 6 is a perspective view taken from the bottom and rear of the cover portion thereof;

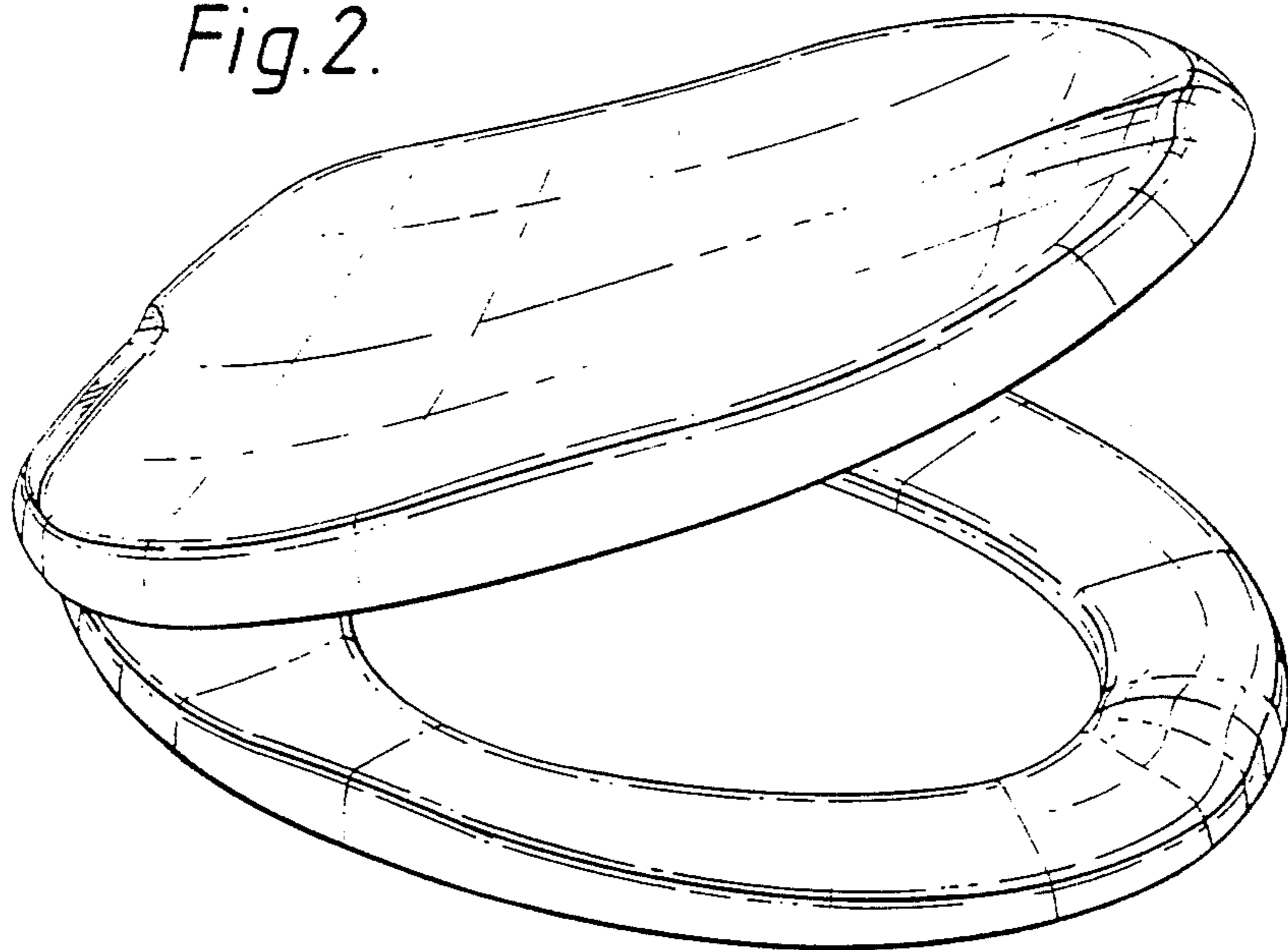
FIG. 7 is a perspective view taken from the top and left side of FIG. 6; and

FIG. 8 is a perspective view taken from the top and front of FIG. 6.





*Fig. 1.*



*Fig. 2.*

Fig. 3.

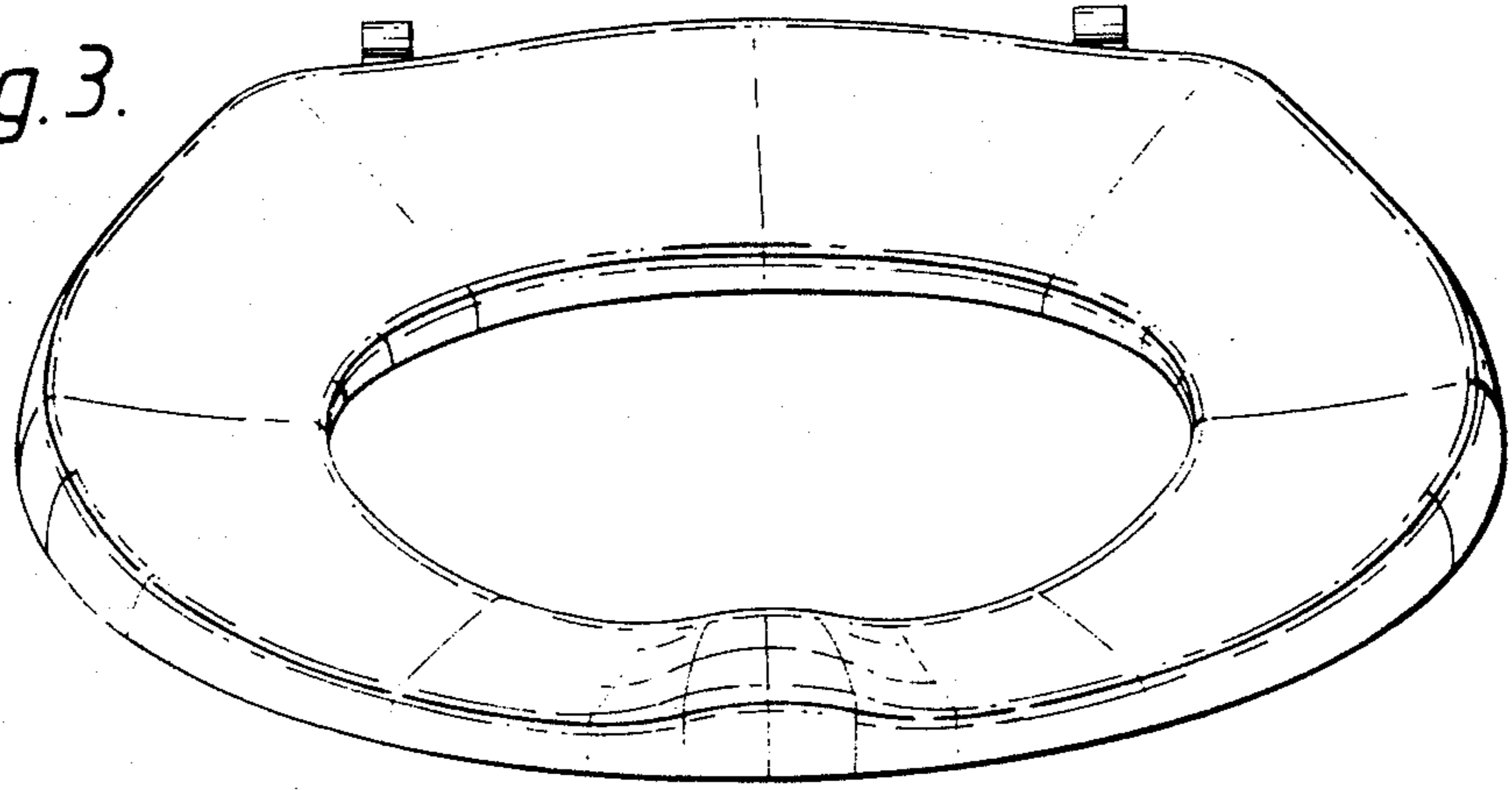


Fig. 4.

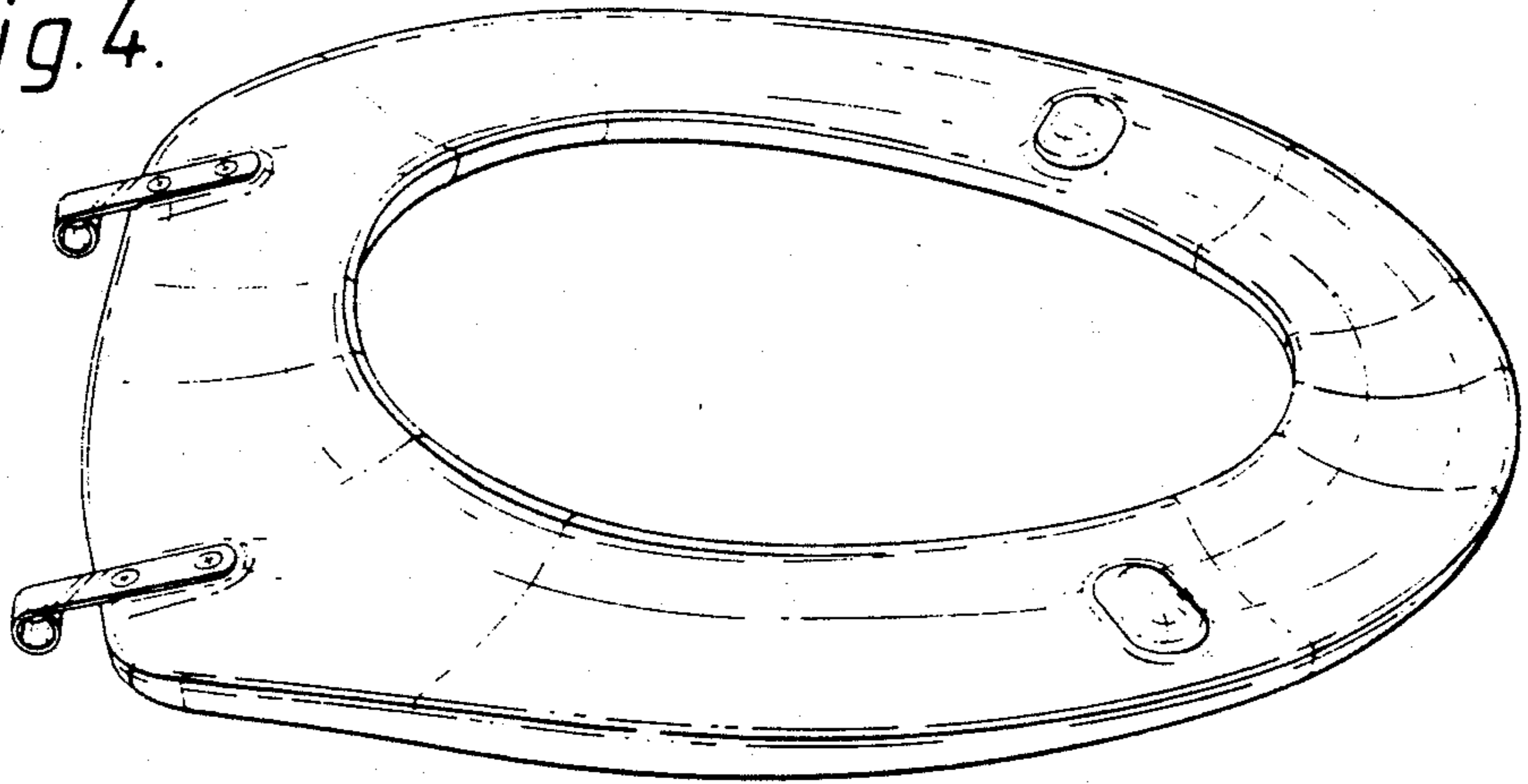


Fig. 5.

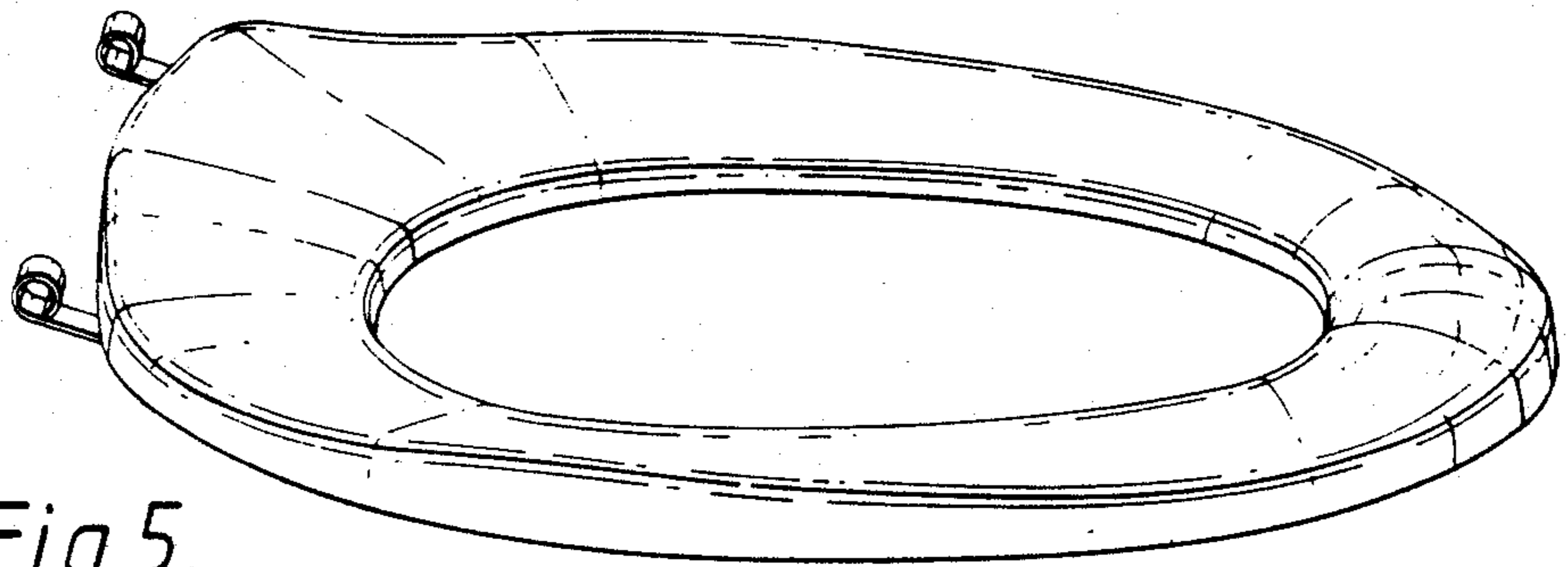


Fig. 6.

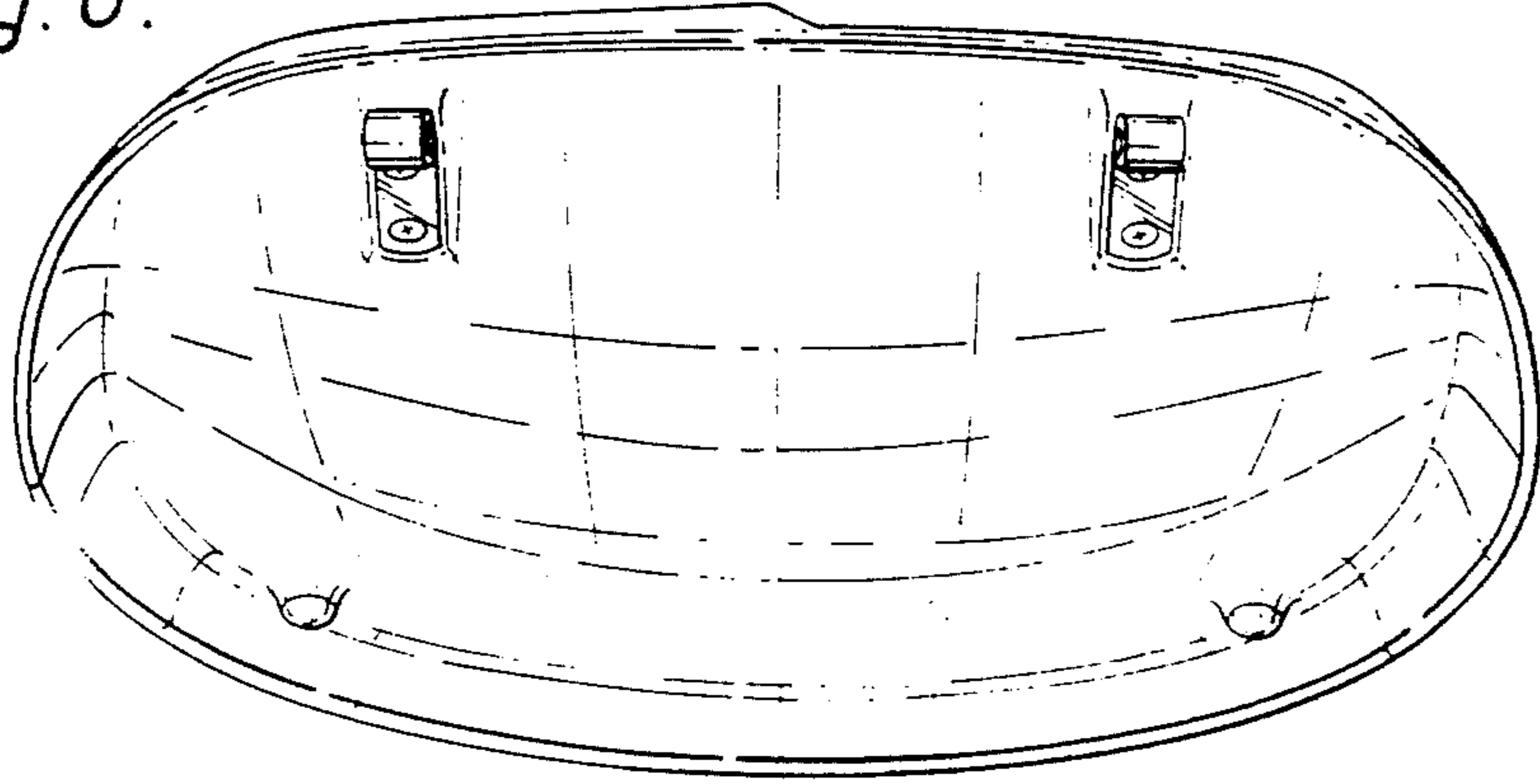


Fig. 7.

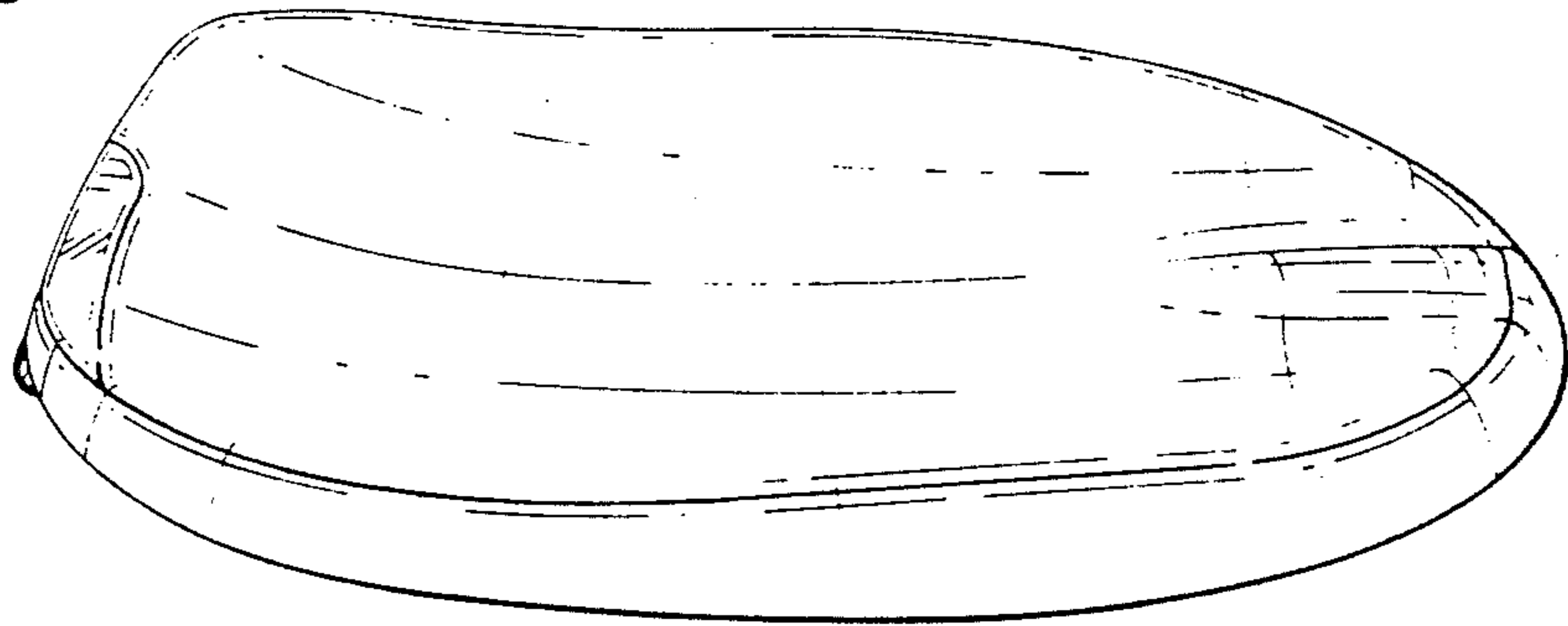


Fig. 8.

