

[54] DEMINERALIZING FILTER FOR ULTRASONIC HUMIDIFIERS

[75] Inventor: Nobuo Tsuchida, Sanjo, Japan

[73] Assignee: Uchida Manufacturing Co., Ltd., Niigata, Japan

[\*\*] Term: 14 Years

[21] Appl. No.: 758,249

[22] Filed: Jul. 24, 1985

[30] Foreign Application Priority Data

Mar. 16, 1985 [JP] Japan ..... 60-010455

[52] U.S. Cl. .... D23/4; D23/3; D23/149; D23/146

[58] Field of Search ..... D23/1, 3, 4, 146-149, D23/40, 19-22; 239/102.2; 261/DIG. 48, DIG. 46, 81, 72 R; 210/282, 287

[56] References Cited

U.S. PATENT DOCUMENTS

D. 250,411 11/1978 Krueger et al. .... D23/20

D. 257,544 11/1980 Johnson ..... D23/19  
D. 257,566 11/1980 Kottmeier et al. .... D23/19  
4,294,407 10/1981 Reichl et al. .... 239/102.2

Primary Examiner—Wallace R. Burke  
Assistant Examiner—Brian N. Vinson  
Attorney, Agent, or Firm—Wolder, Gross & Yavner

[57] CLAIM

The ornamental design for a demineralizing filter for ultrasonic humidifiers, as shown.

DESCRIPTION

FIG. 1 is a top and front perspective view of a demineralizing filter for ultrasonic humidifiers showing my new design;  
FIG. 2 is a rear elevational view thereof;  
FIG. 3 is a top plan view thereof;  
FIG. 4 is a right-side elevational view thereof;  
FIG. 5 is a front elevational view thereof;  
FIG. 6 is a left-side elevational view thereof; and  
FIG. 7 is a bottom plan view thereof.

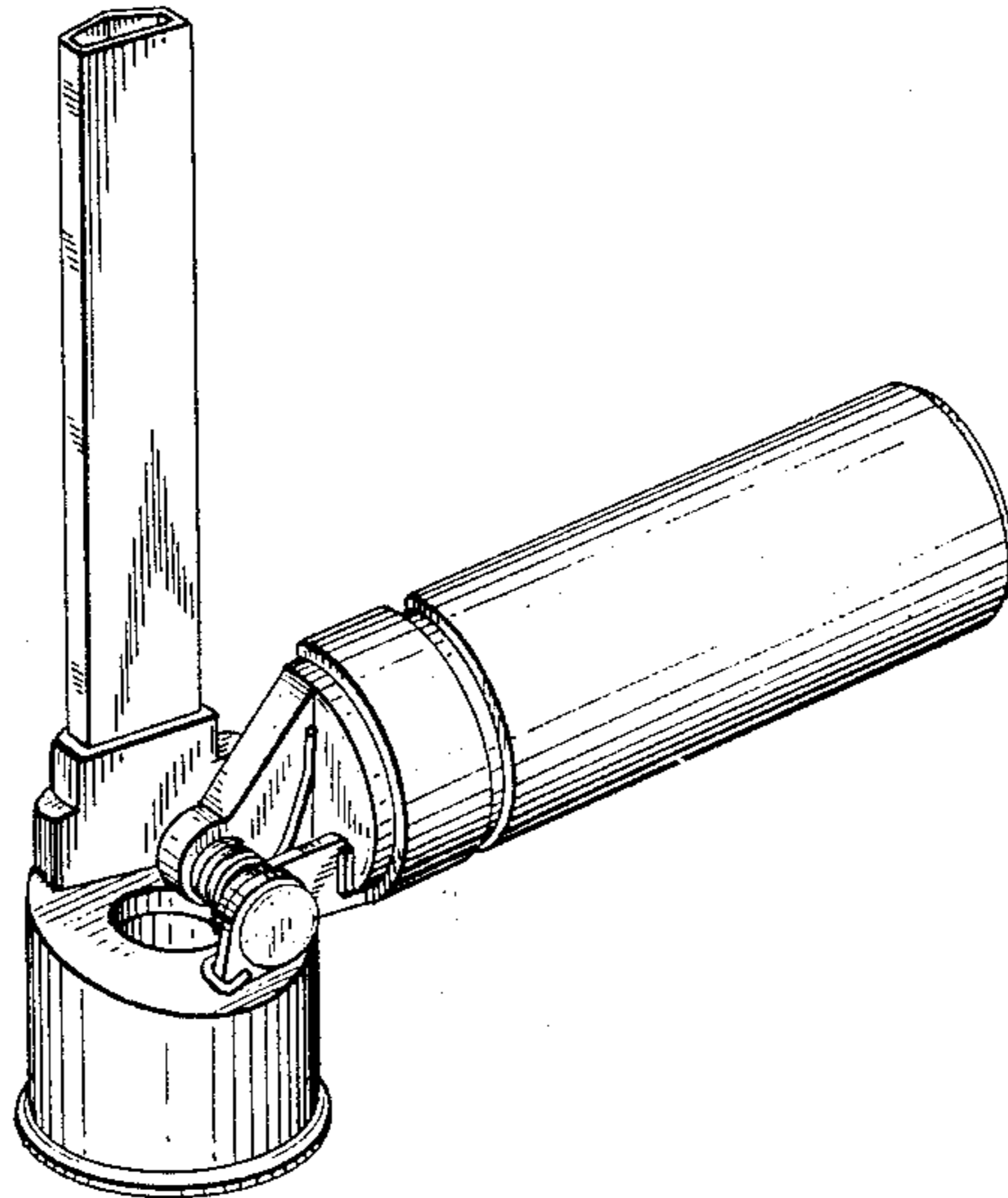


FIG. 1

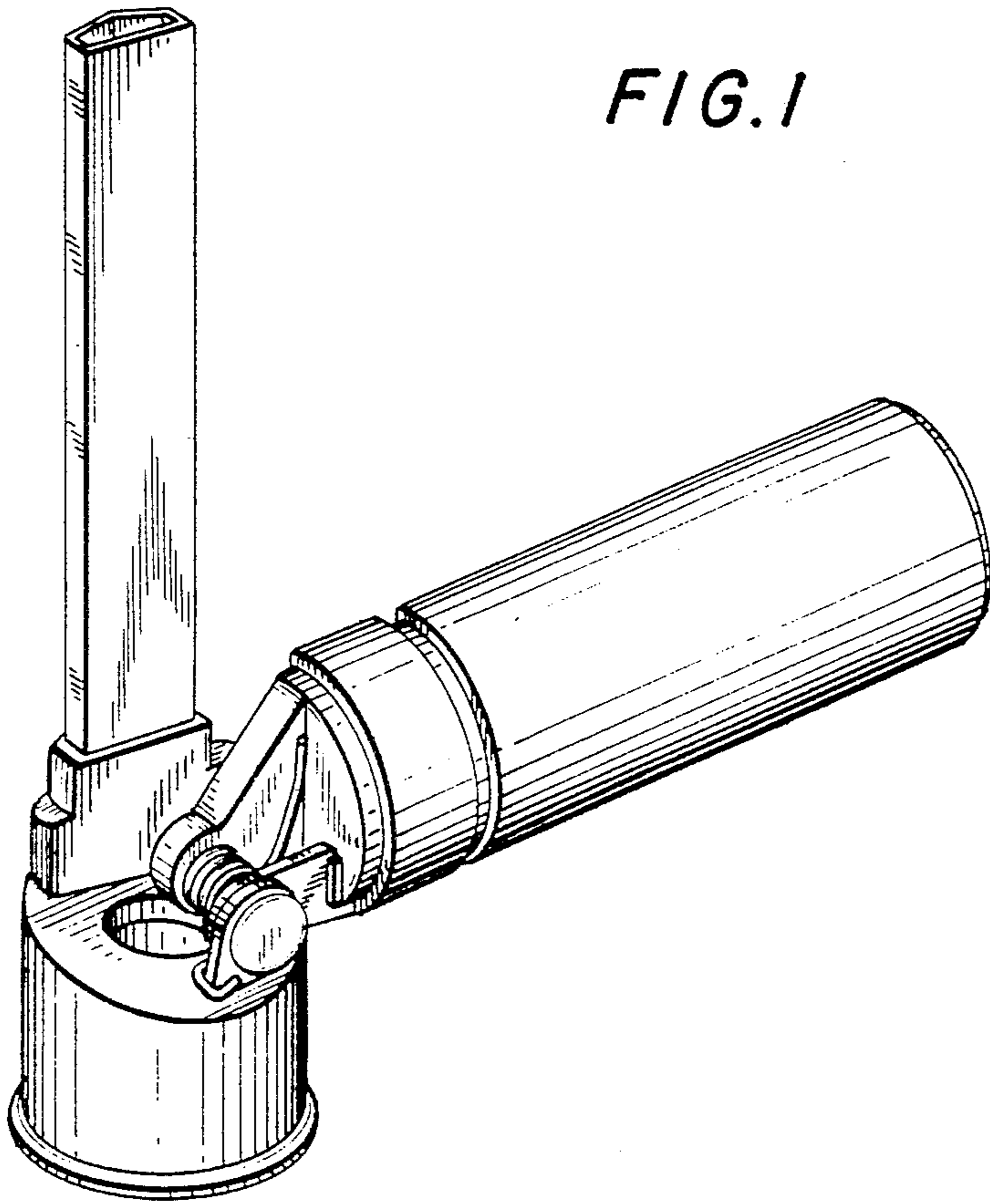


FIG. 2

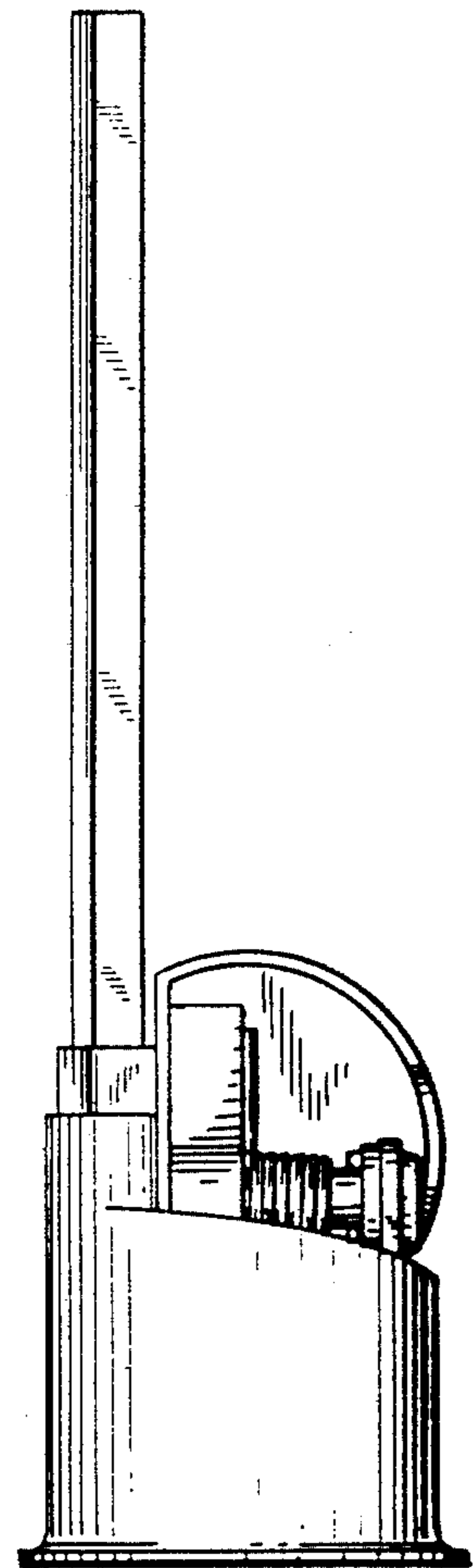


FIG. 3

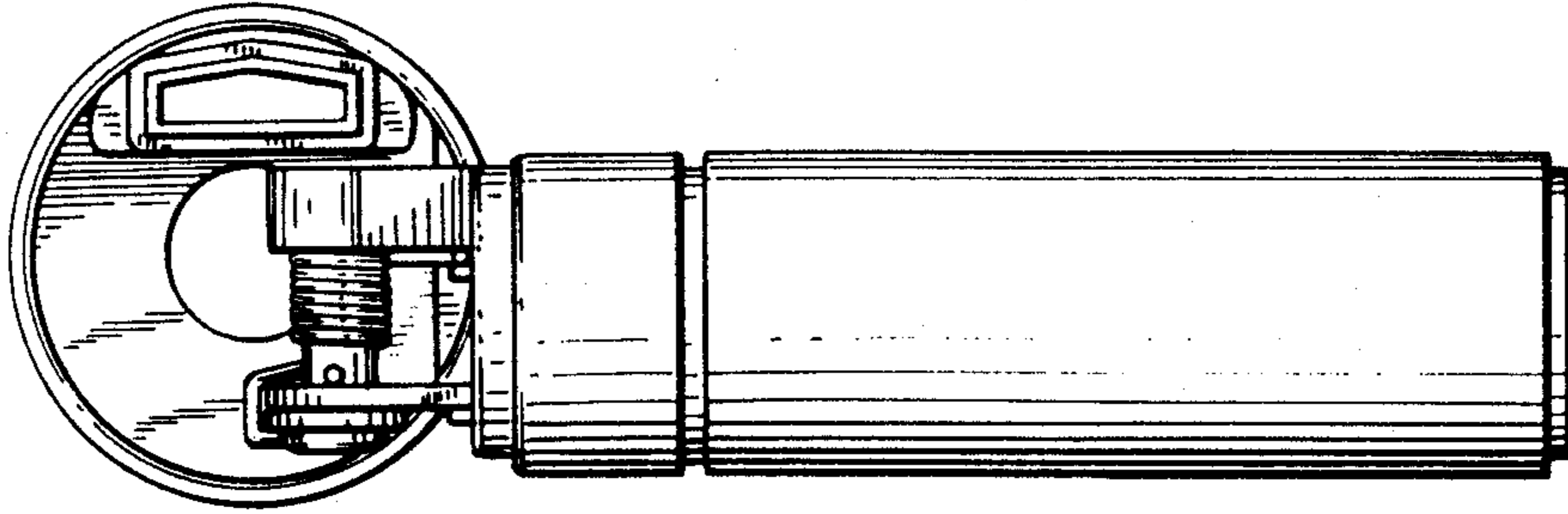


FIG. 4

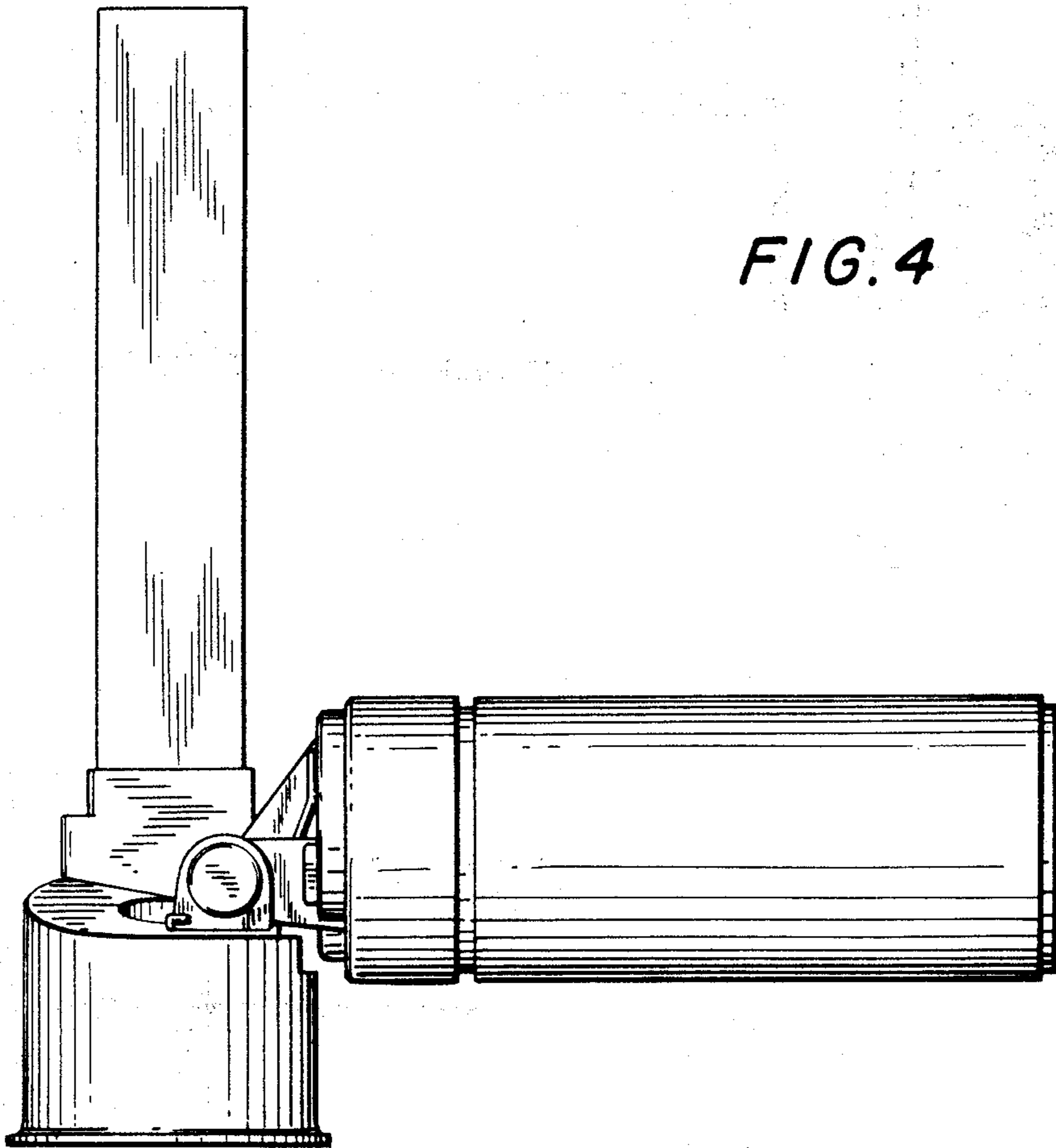


FIG. 5

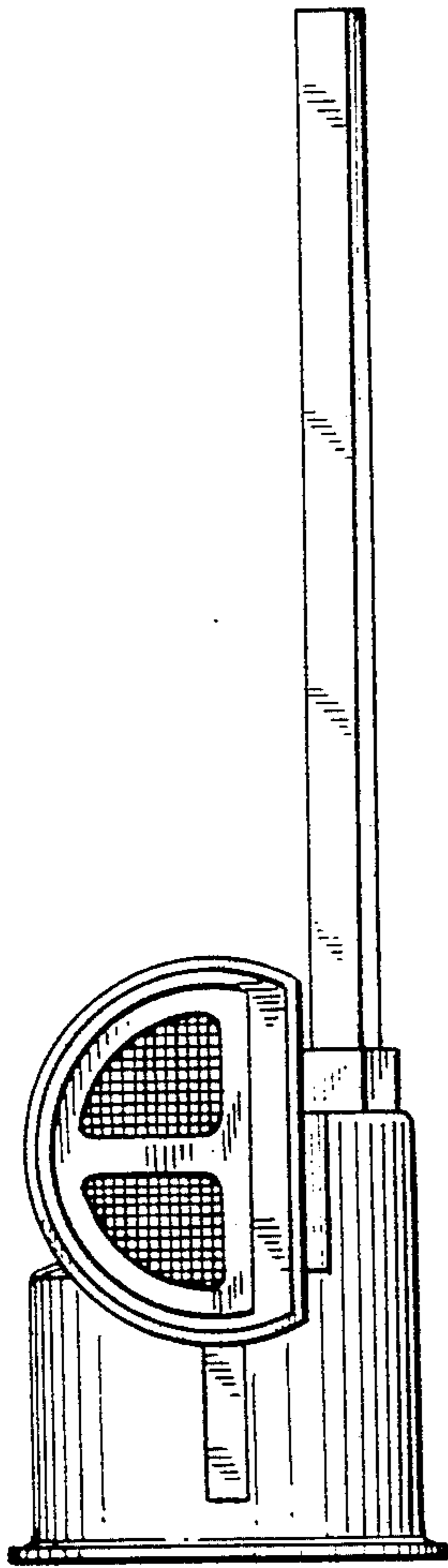


FIG. 6

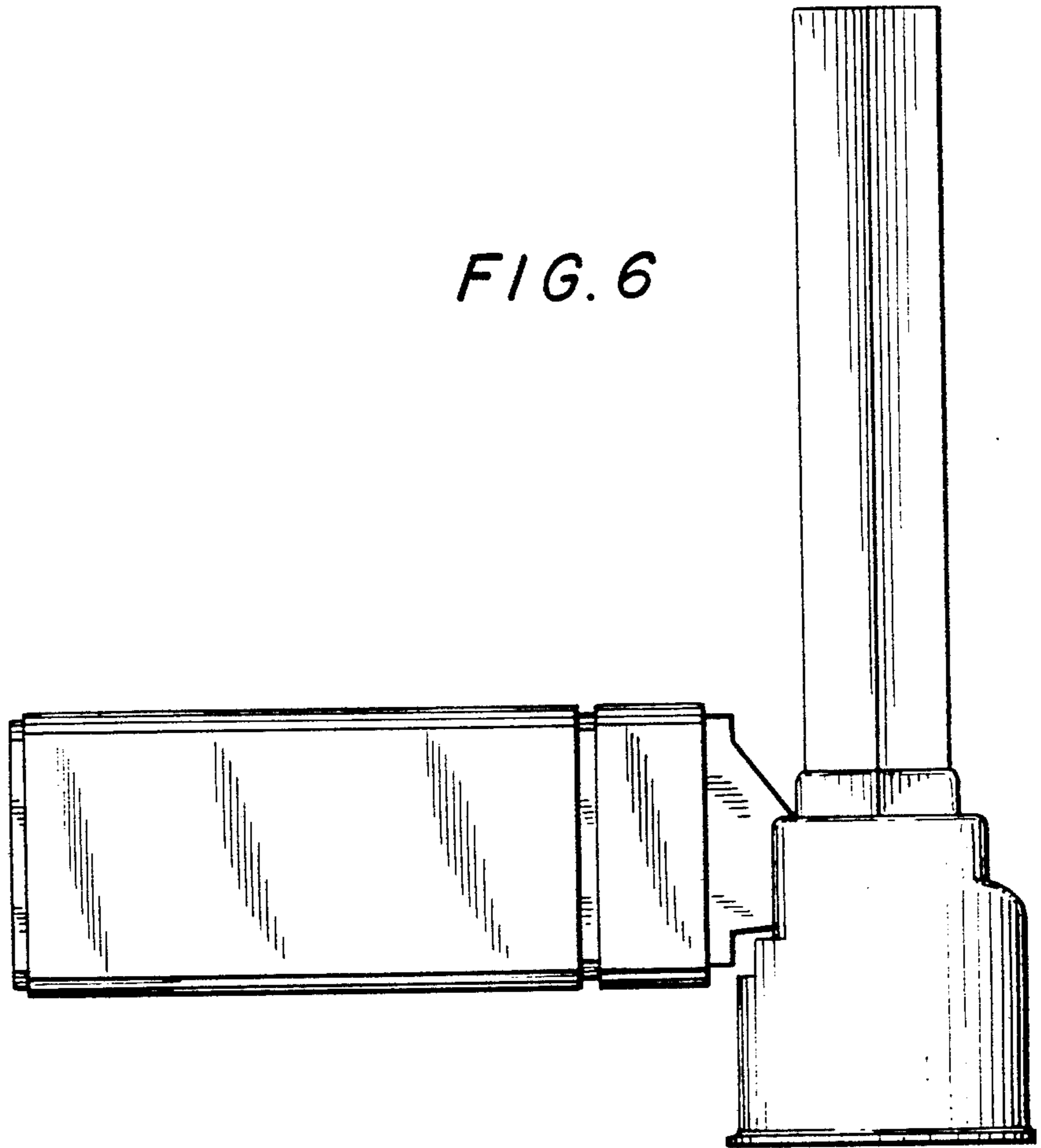


FIG. 7

