

[54] CHILD'S FIGURE TOY

[75] Inventors: Harry S. Thomson, Richmond; David M. Raffo; John A. Pape, both of Hitchin, all of England

[73] Assignee: Hestair Kiddicraft Ltd., Great Britain

[**] Term: 14 Years

[21] Appl. No.: 702,484

[22] Filed: Feb. 19, 1985

[30] Foreign Application Priority Data

Jan. 14, 1985 [GB] United Kingdom 1024389

[52] U.S. Cl. D21/148; D6/304; D21/154

[58] Field of Search D21/148, 154; D6/304; D19/52

[56]

References Cited

U.S. PATENT DOCUMENTS

D. 46,858 1/1915 Underhill et al. D21/154

OTHER PUBLICATIONS

Gift & Decorative Accessories, May, 1984, p. 91, bottom, Look At Me articles.

Primary Examiner—Melvin B. Feifer

[57]

CLAIM

The ornamental design for a child's figure toy, as shown and described.

DESCRIPTION

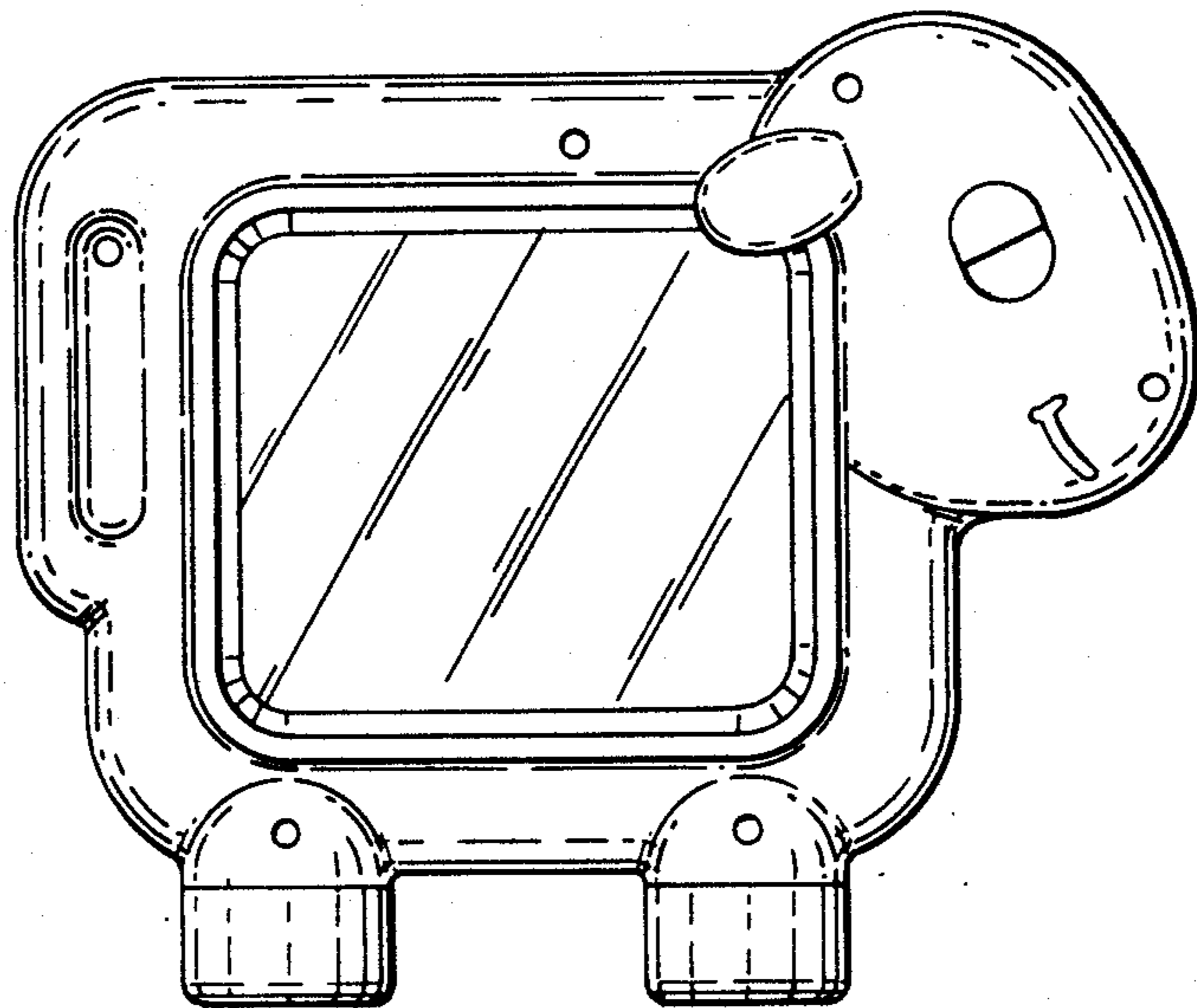
FIG. 1 is a side view of a child's figure toy embodying our novel design, the opposite side view being a mirror image thereof;

FIG. 2 is a top plan view of the child's figure toy;

FIG. 3 is a bottom plan view of the child's figure toy;

FIG. 4 is a front end view of the child's figure toy;

FIG. 5 is a rear end view of the child's figure toy.



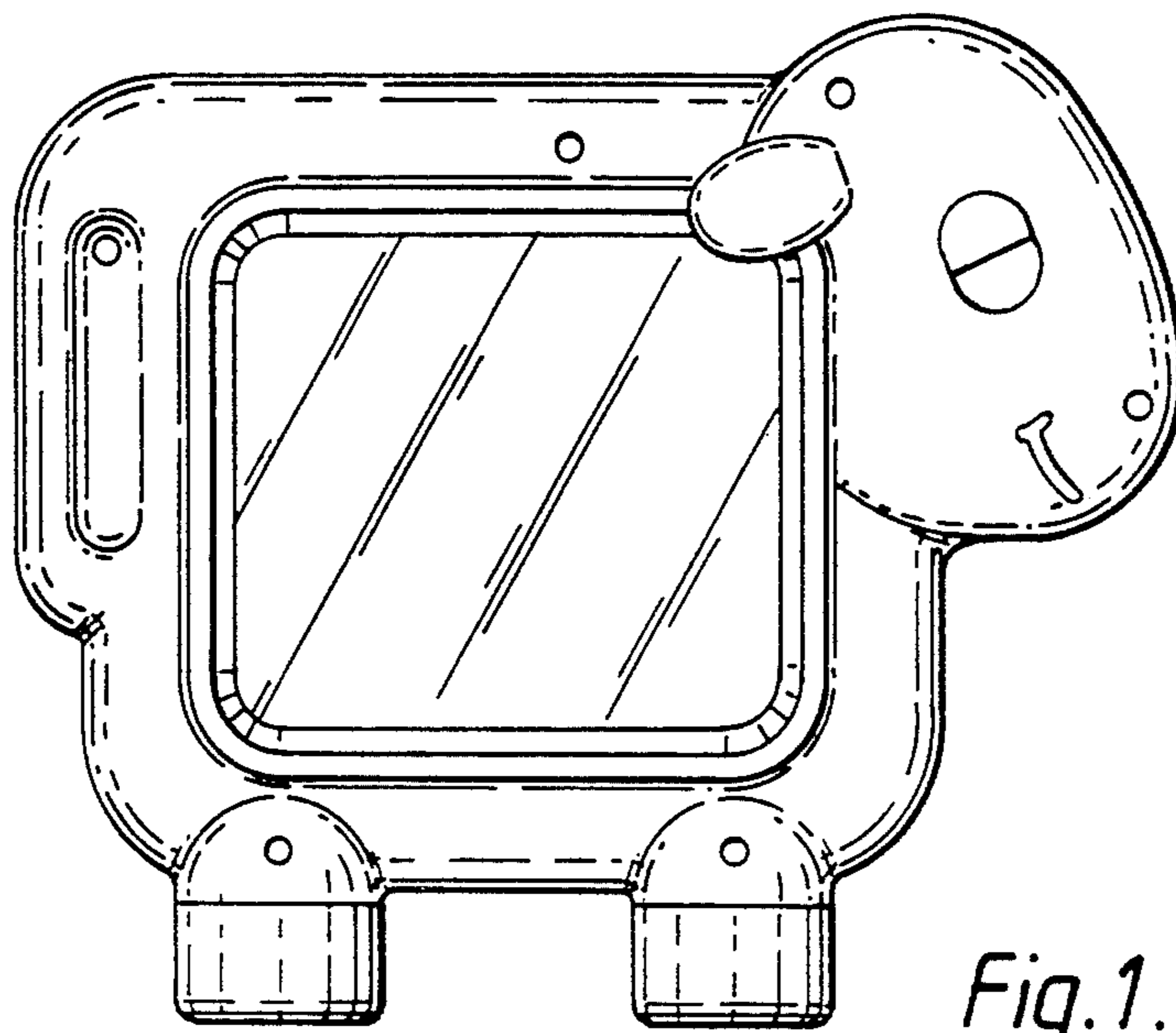


Fig. 1.

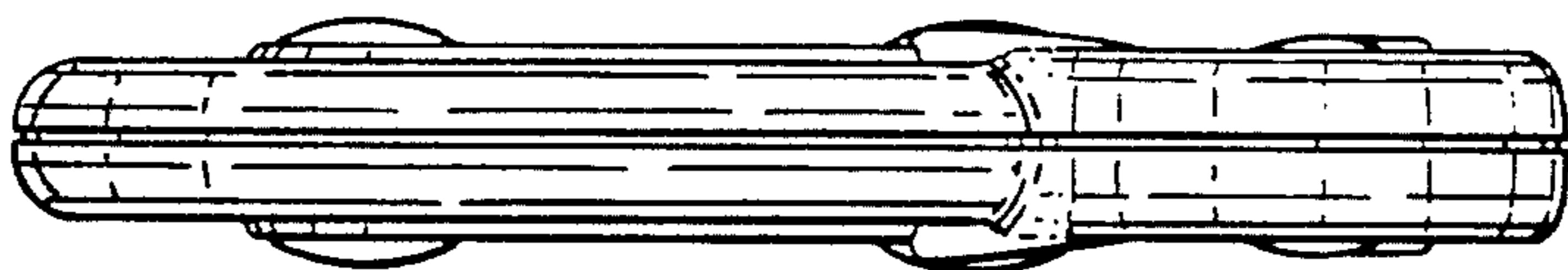


Fig. 2.

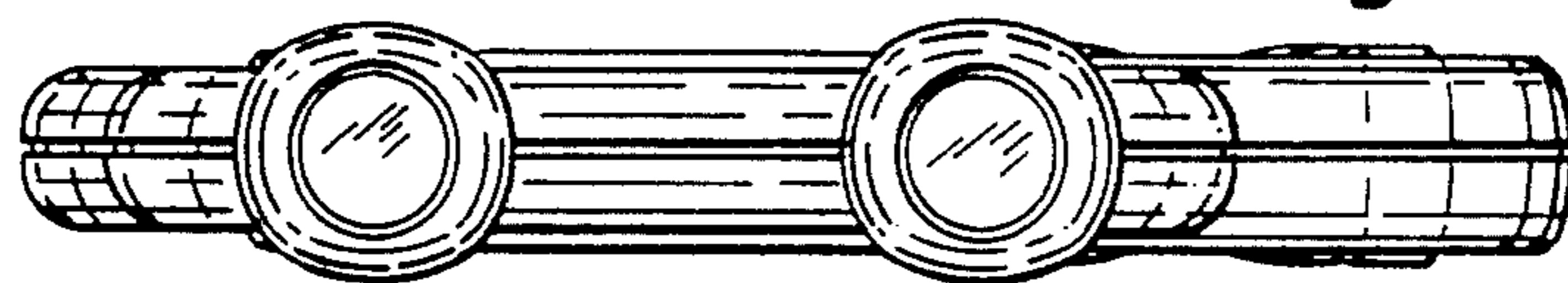


Fig. 3.

Fig. 4.

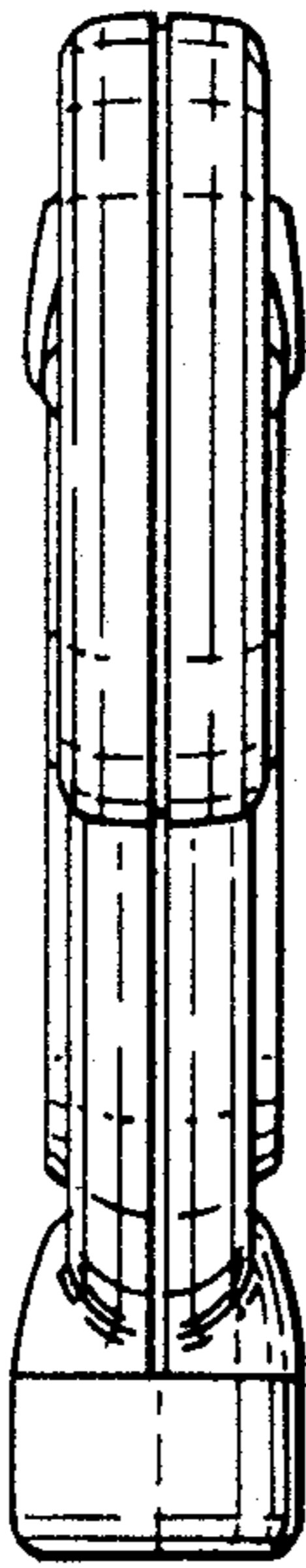


Fig. 5.

