

[54] TOY VEHICLE

[56]

References Cited

[75] Inventors: Robert K. Allen; Howard N. Bollinger; David A. Myers, all of Cincinnati, Ohio; Eric J. Simpson, Newport; W. Grey Williams, Covington, both of Ky.

U.S. PATENT DOCUMENTS

D. 113,338	2/1939	Towns .....	D21/78
D. 146,465	3/1947	Doak et al. ....	D21/78
D. 245,077	7/1977	Newell .....	D12/110
D. 258,426	3/1981	Dunan .....	D12/110
2,501,035	3/1950	Doak et al. ....	280/1.11 R

[73] Assignee: Kenner Parker Toys Inc., Beverly, Mass.

Primary Examiner—Charles A. Rademaker  
Attorney, Agent, or Firm—L. MeRoy Lillehaugen; Gene O. Enockson

[\*\*] Term: 14 Years

[57] CLAIM

The ornamental design for a toy vehicle, substantially as shown and described.

[21] Appl. No.: 701,590

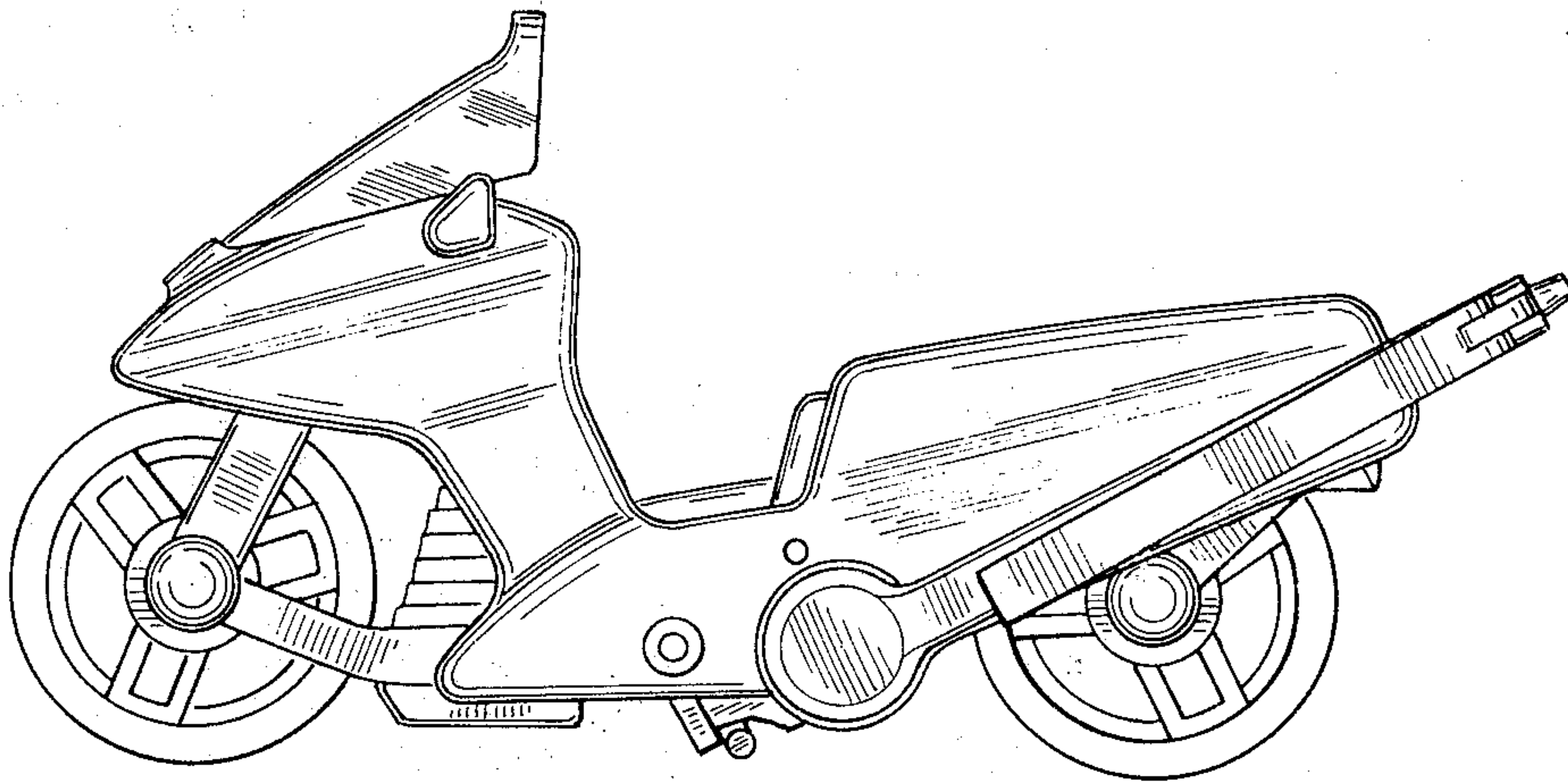
DESCRIPTION

[22] Filed: Feb. 14, 1985

[52] U.S. Cl. .... D21/78

[58] Field of Search ..... D12/110; D21/71, 137, D21/73, 76, 78, 77, 79, 80; 280/1.11 R, 1.12, 1.193, 87.01, 87.02

FIG. 1 is a side elevational view of a toy vehicle showing our new design, the side opposite being substantially a mirror image thereof;  
FIG. 2 is a top plan view thereof;  
FIG. 3 is a bottom plan view thereof;  
FIG. 4 is a front elevational view thereof; and  
FIG. 5 is a rear elevational view thereof.



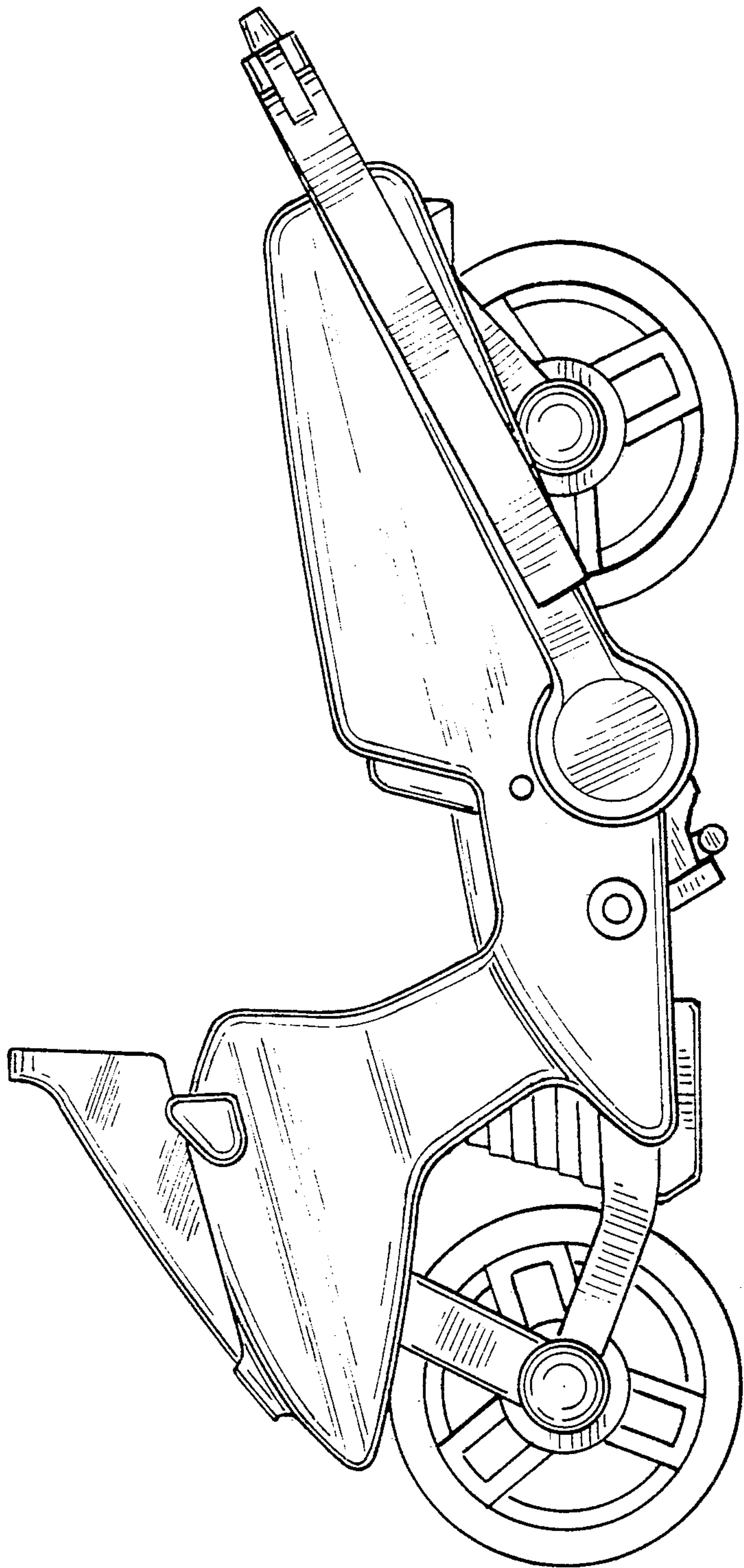
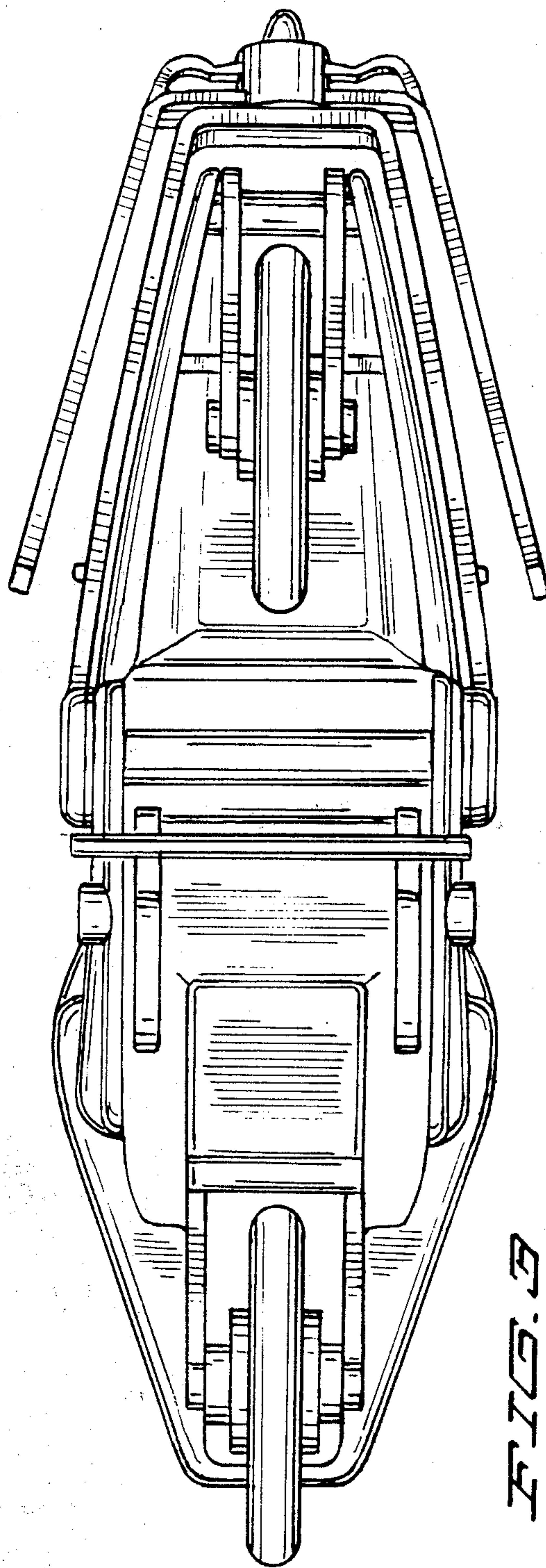
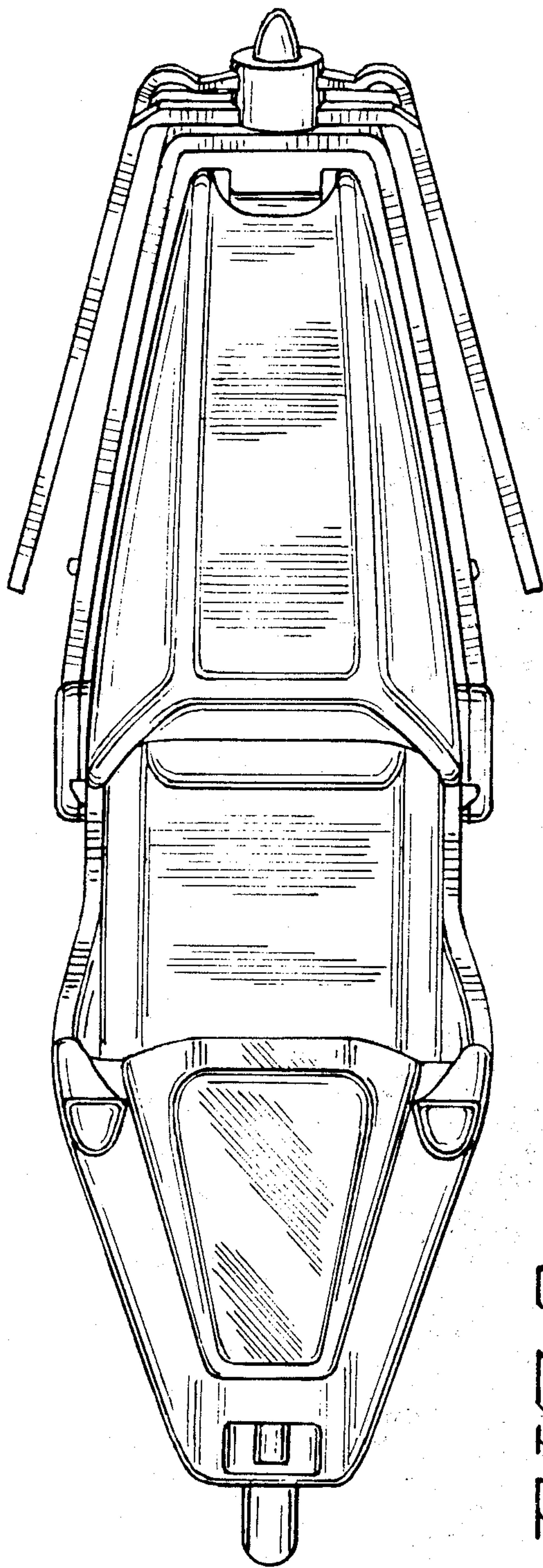
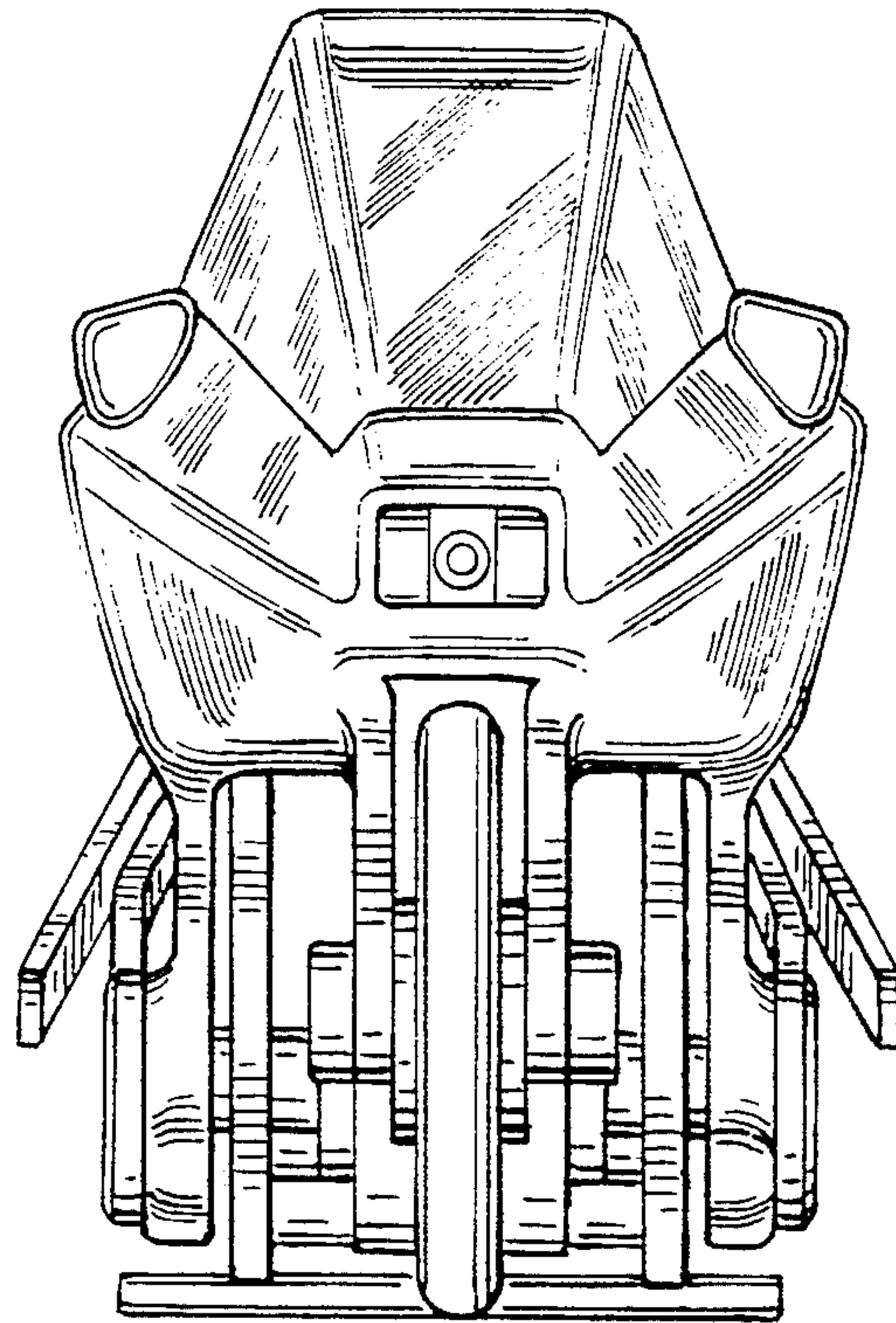


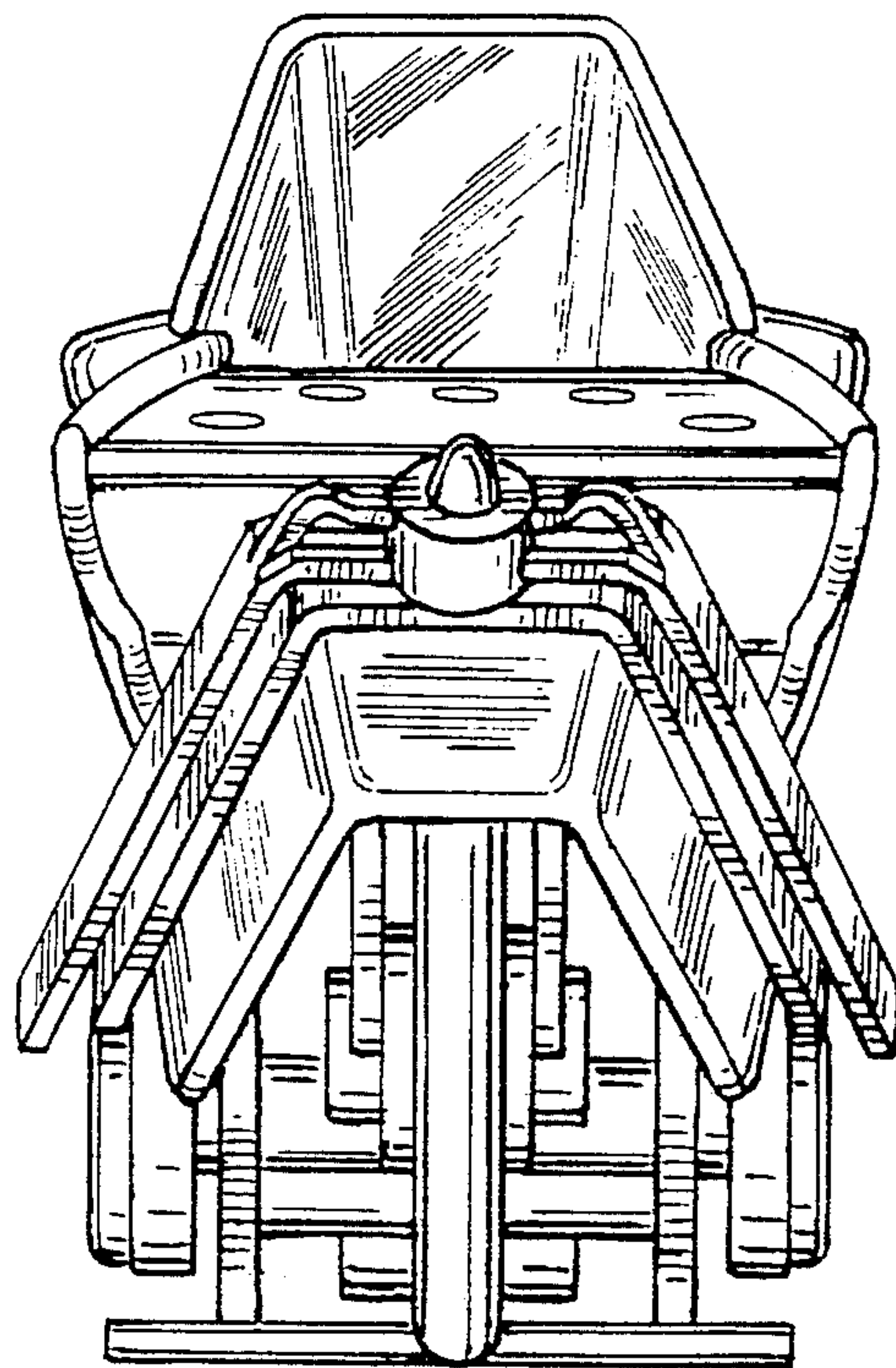
FIG. 1







*FIG. 4*



*FIG. 5*