

[54] LABELER

[75] Inventor: Mituo Fujita, Washimiyamachi, Japan

[73] Assignee: Kabushiki Kaisha Shinsei Industries, Tokyo, Japan

[**] Term: 14 Years

[21] Appl. No.: 805,924

[22] Filed: Nov. 19, 1985

[30] Foreign Application Priority Data

Jun. 11, 1985 [JP] Japan 60-24429

[52] U.S. Cl. D18/19

[58] Field of Search D18/14, 15, 18, 19, D18/22; 101/288; 156/384, DIG. 48, DIG. 49

[56] References Cited

U.S. PATENT DOCUMENTS

- D. 207,435 4/1967 Loeffler D18/19
- D. 211,615 7/1968 Stephens D18/19 X
- D. 278,832 5/1985 Wada D18/19

- 4,091,728 5/1978 Sato 101/288
- 4,407,692 10/1983 Torbeck 101/288 X
- 4,561,926 12/1985 Hamisch, Jr. 101/288 X
- 4,623,418 11/1986 Gombrich et al. 156/384 X

Primary Examiner—Louis S. Zarfes
Attorney, Agent, or Firm—Wenderoth, Lind & Ponack

[57] CLAIM

The ornamental design for a labeler, substantially as shown and described.

DESCRIPTION

FIG. 1 is a front elevational view of a labeler showing my new design;
 FIG. 2 is a rear elevational view thereof;
 FIG. 3 is a top plan view thereof;
 FIG. 4 is a bottom plan view thereof;
 FIG. 5 is a left side elevational view thereof;
 FIG. 6 is a right side elevational view thereof;
 FIG. 7 is a rear perspective view thereof taken from below; and
 FIG. 8 is a front perspective view thereof taken from above.

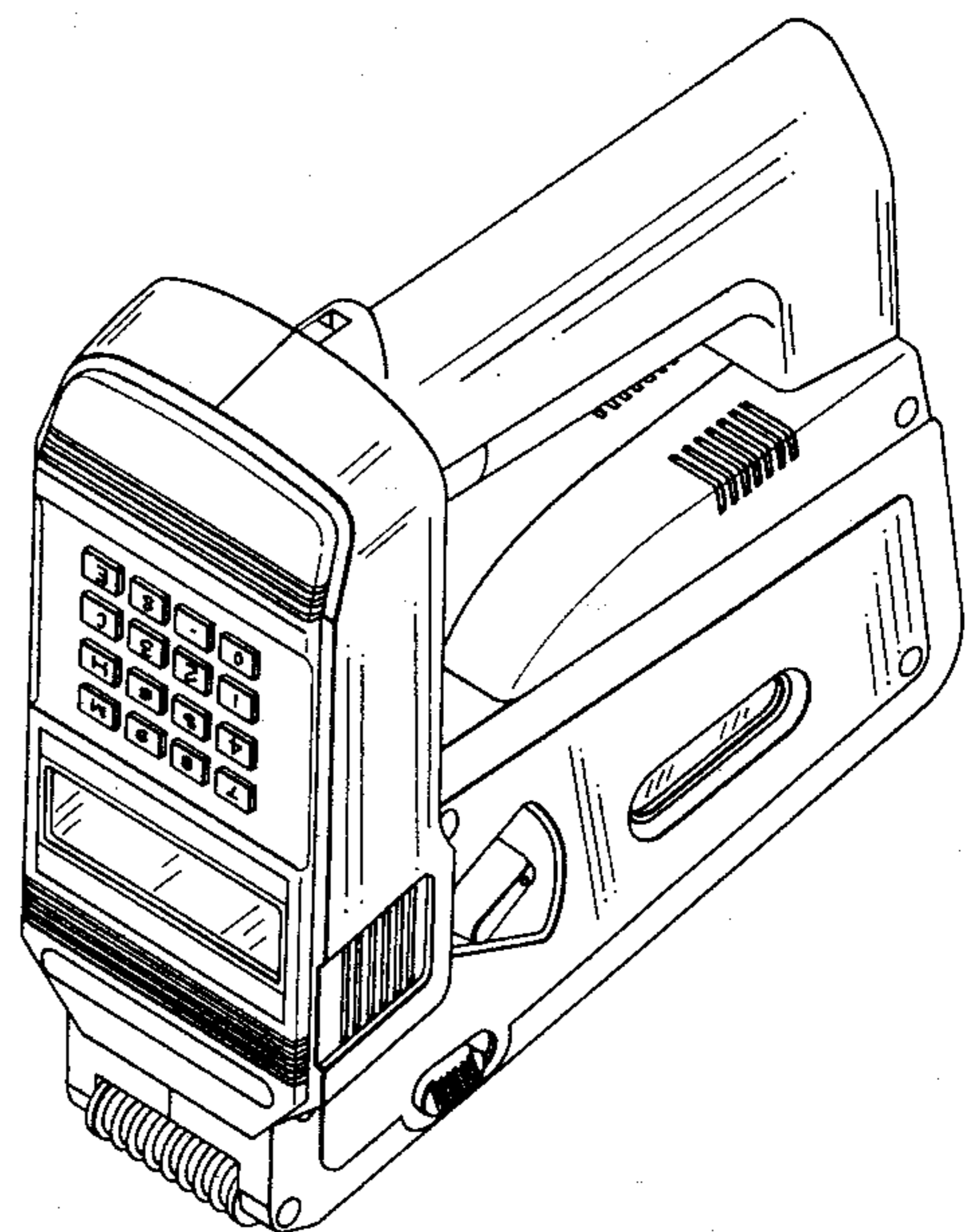
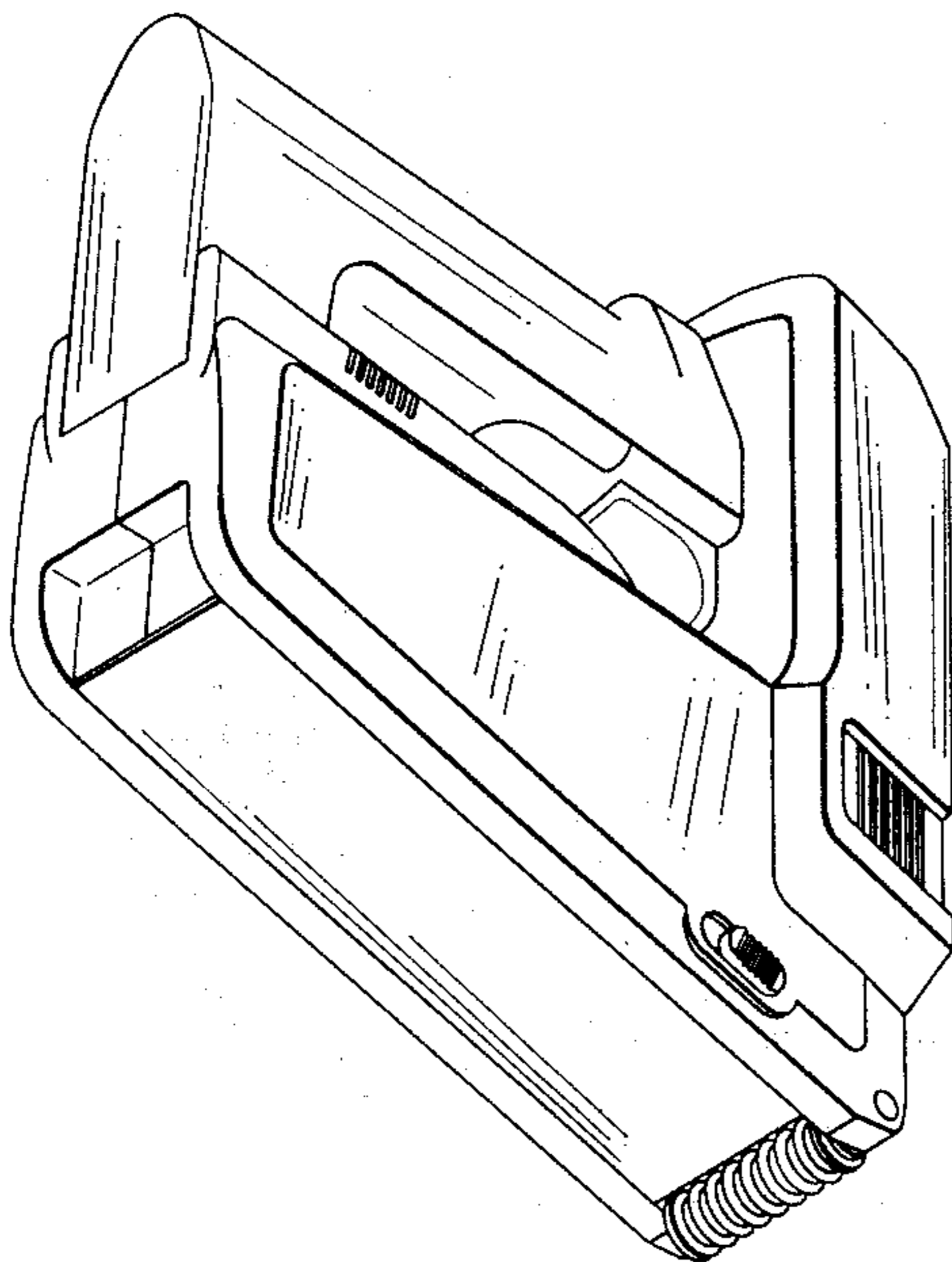


FIG. 2

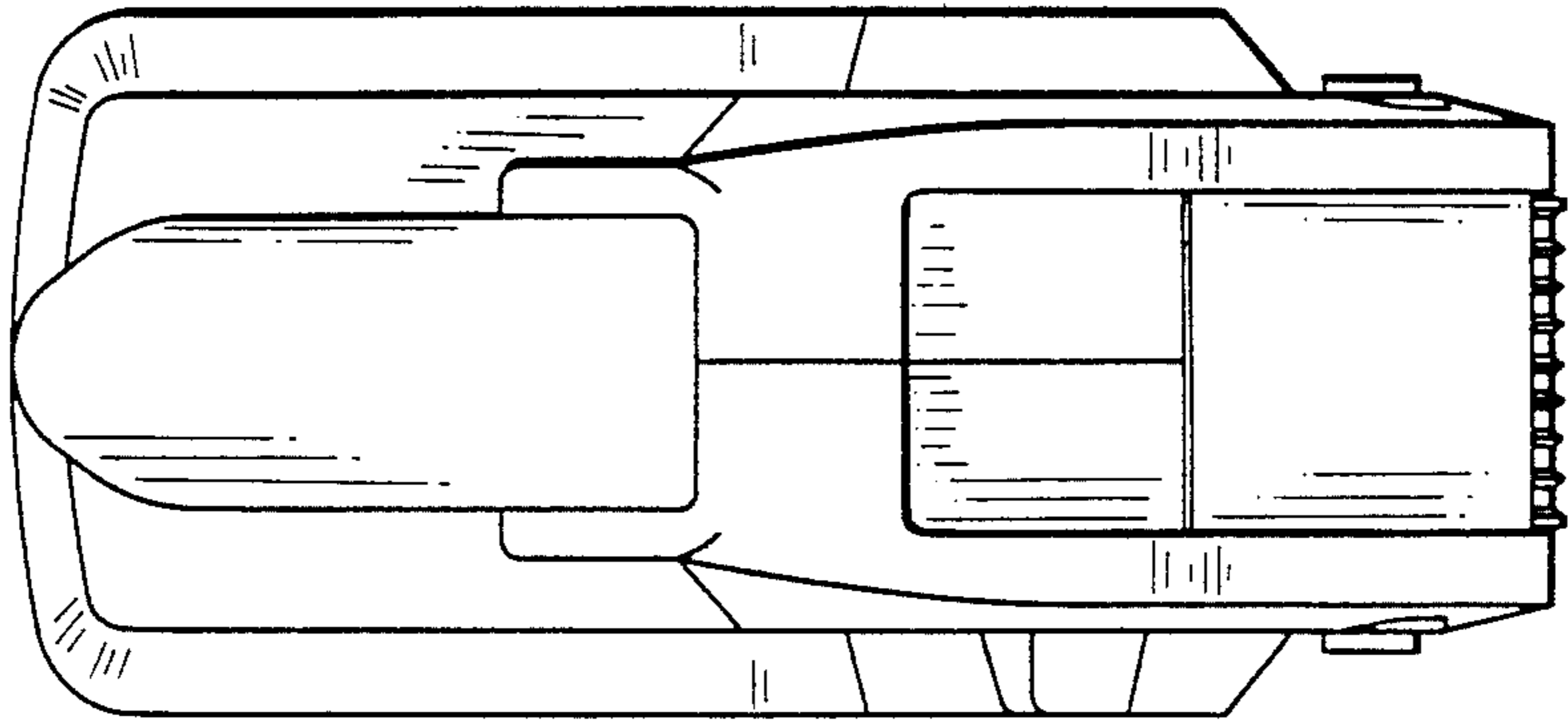


FIG. 1

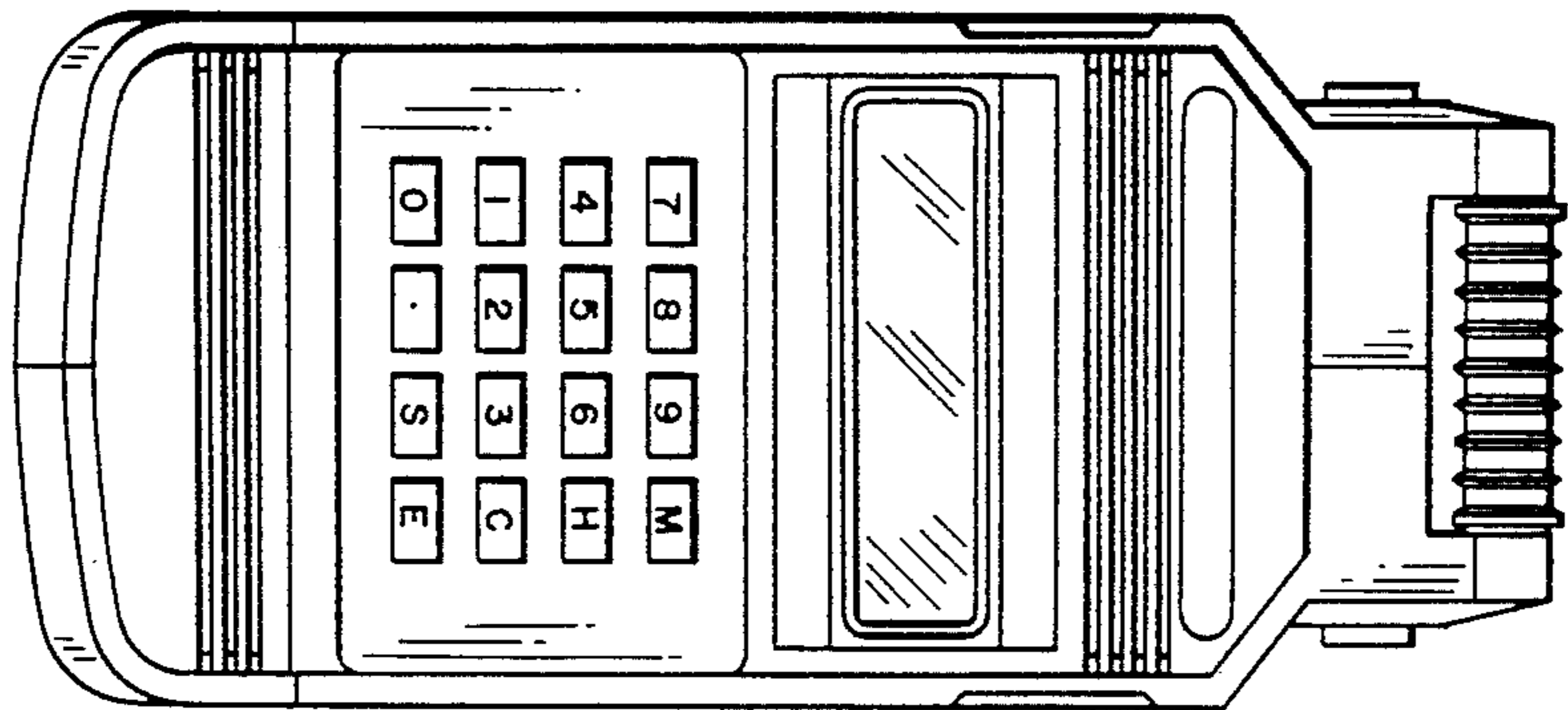


FIG. 4

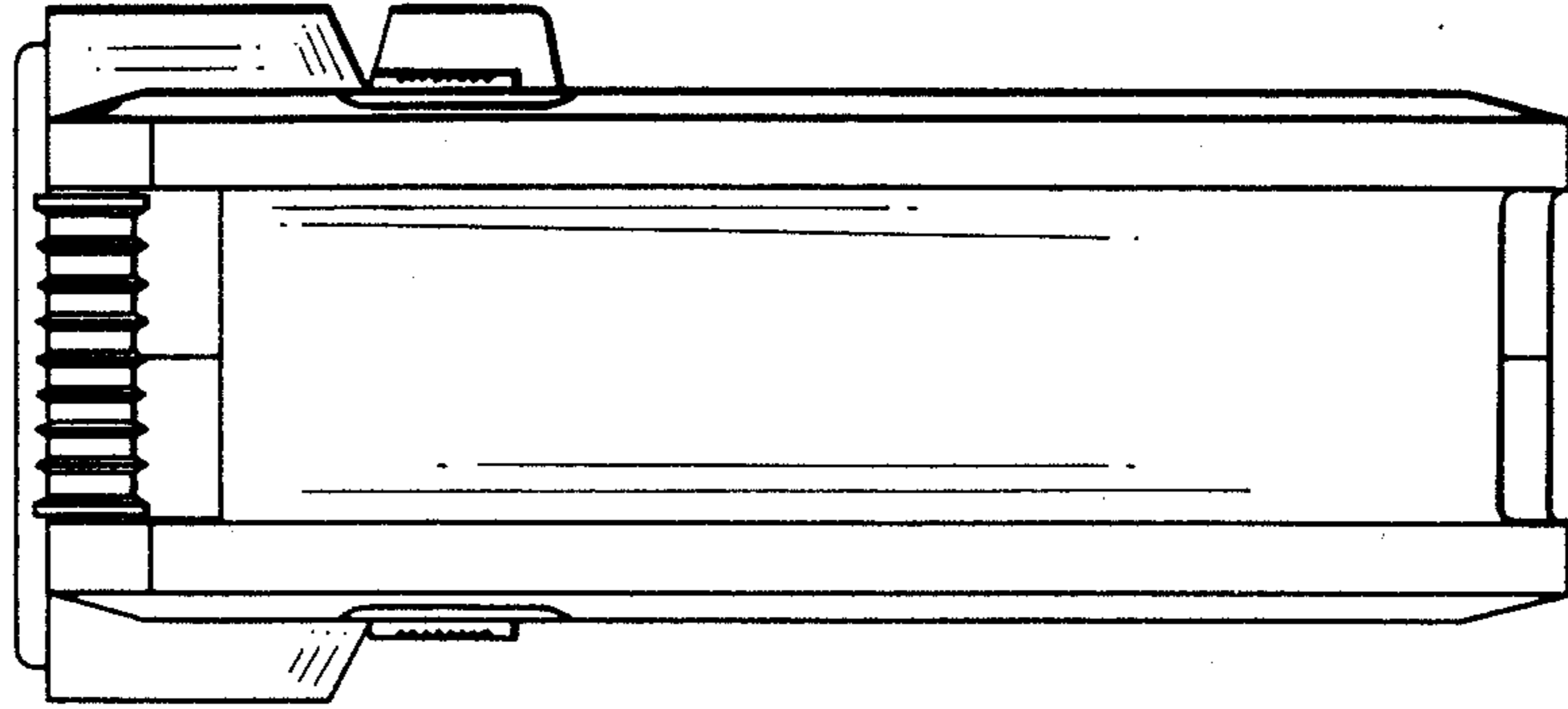


FIG. 3

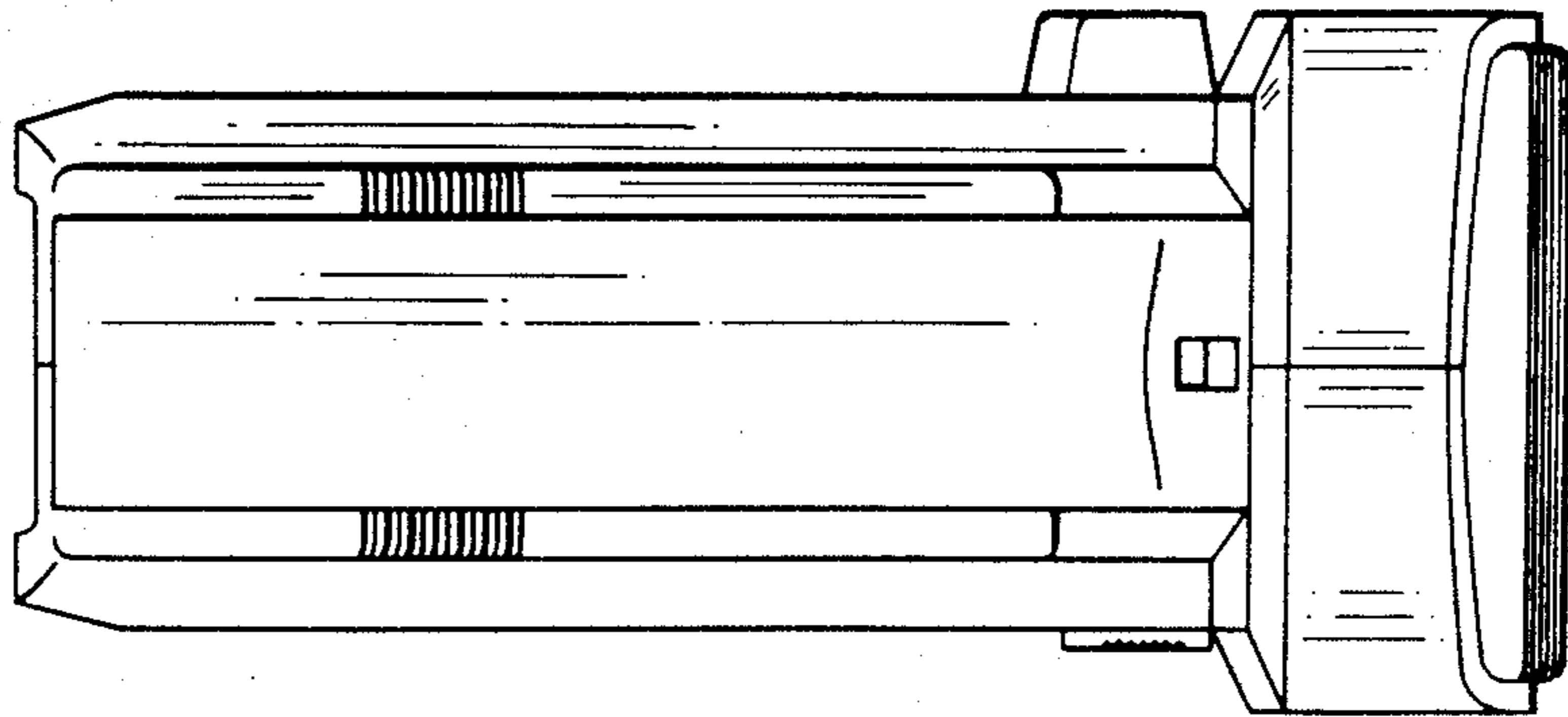


FIG. 5

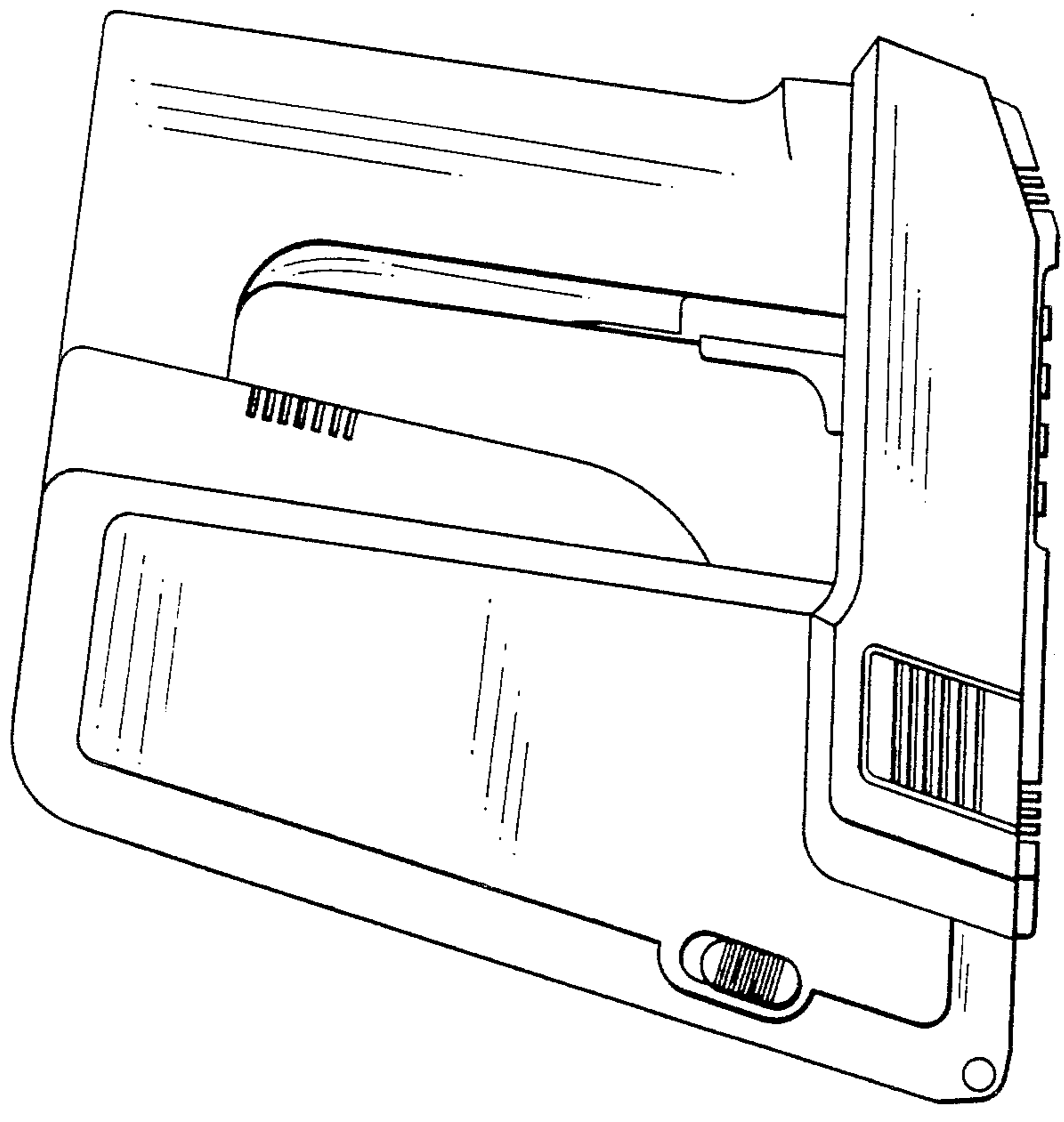


FIG. 6

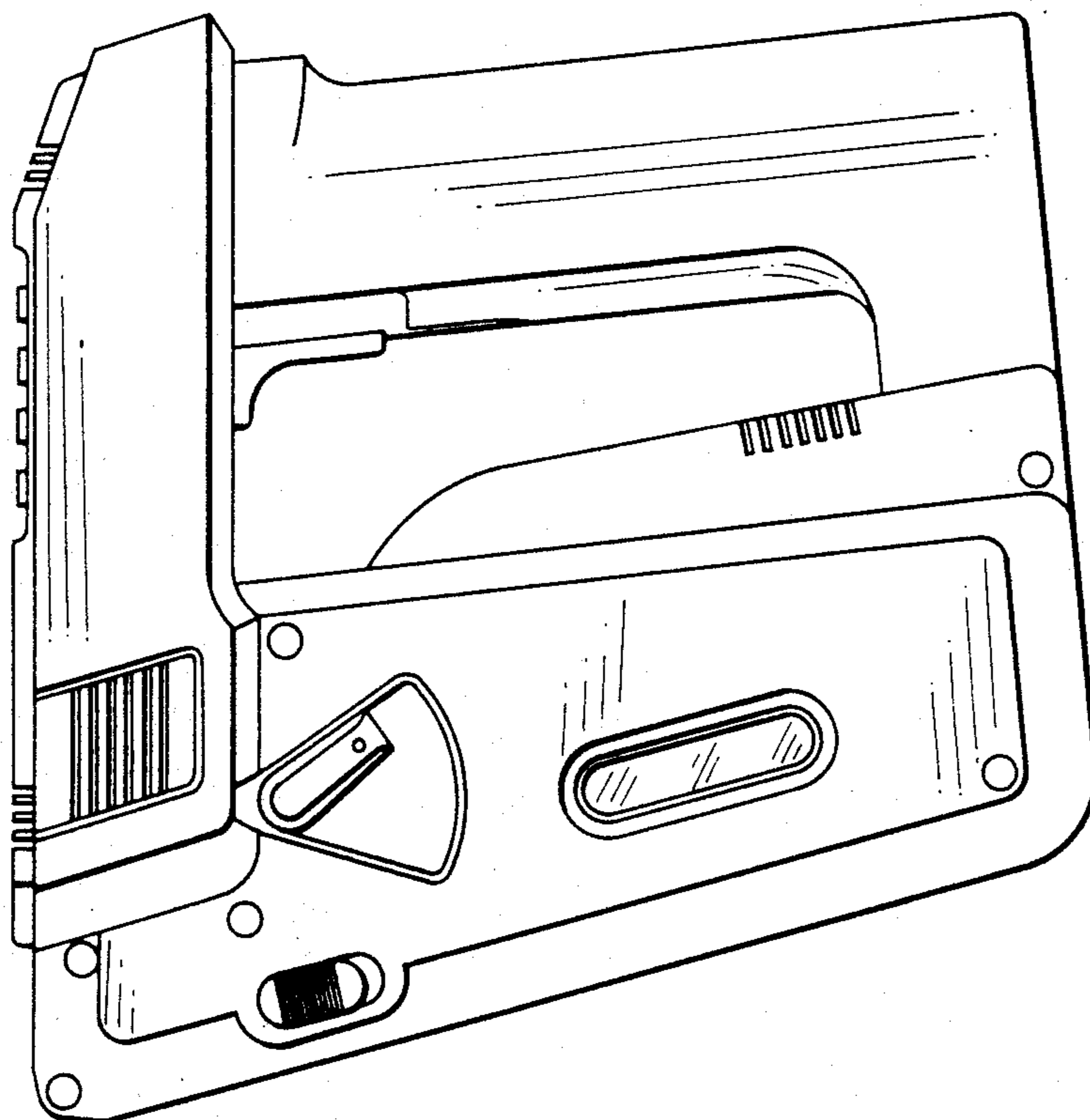


FIG. 7

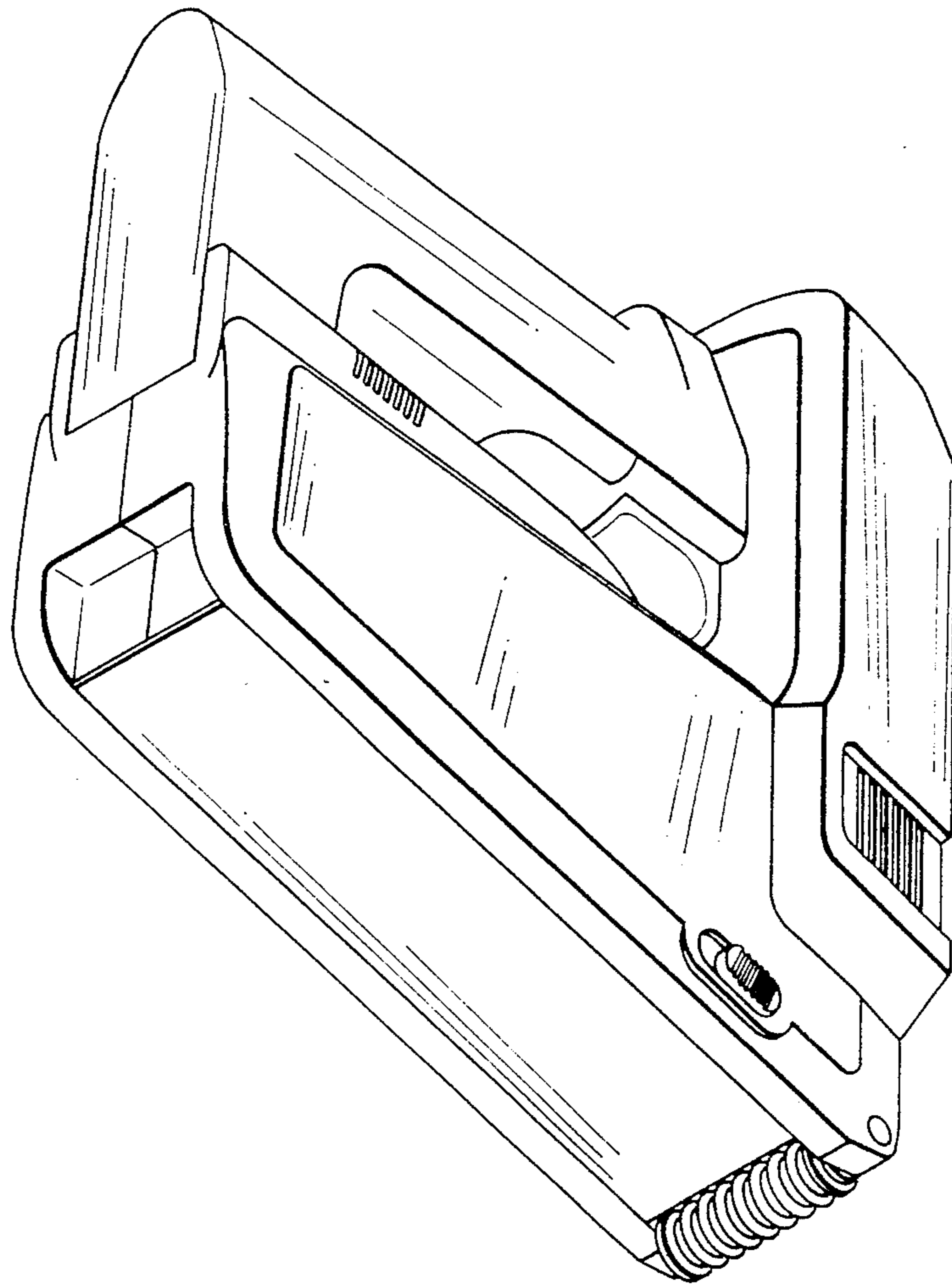


FIG. 8

