

[54] ELECTRICALLY POWERED IMPRINTER

[75] Inventor: Harvey K. McQuarrie, Kitchener, Canada

[73] Assignee: National Business Systems, Ontario, Canada

[**] Term: 14 Years

[21] Appl. No.: 780,988

[22] Filed: Sep. 27, 1985

[52] U.S. Cl. D18/14

[58] Field of Search D18/14, 15, 18; 101/3 R, 3 SP, 18, 28, 252, 269, DIG. 18

[56] References Cited

U.S. PATENT DOCUMENTS

D. 175,173 7/1955 Kress et al. D18/15

D. 176,621 1/1956 Maki D18/14
D. 202,004 8/1965 Amano D18/14
D. 204,519 8/1966 Barbour D18/14
4,574,693 3/1986 Fink et al. 101/3 SP

Primary Examiner—Louis S. Zarfes
Attorney, Agent, or Firm—Antonelli, Terry & Wands

[57] CLAIM

The ornamental design for an electrically powered imprinter, as shown and described.

DESCRIPTION

FIG. 1 is a front elevational view of an electrically powered imprinter showing my new design; FIG. 2 is a rear elevational view; FIG. 3 is a right side elevational view; FIG. 4 is a top plan view; and FIG. 5 is a perspective view of the electrically powered imprinter in the open position.

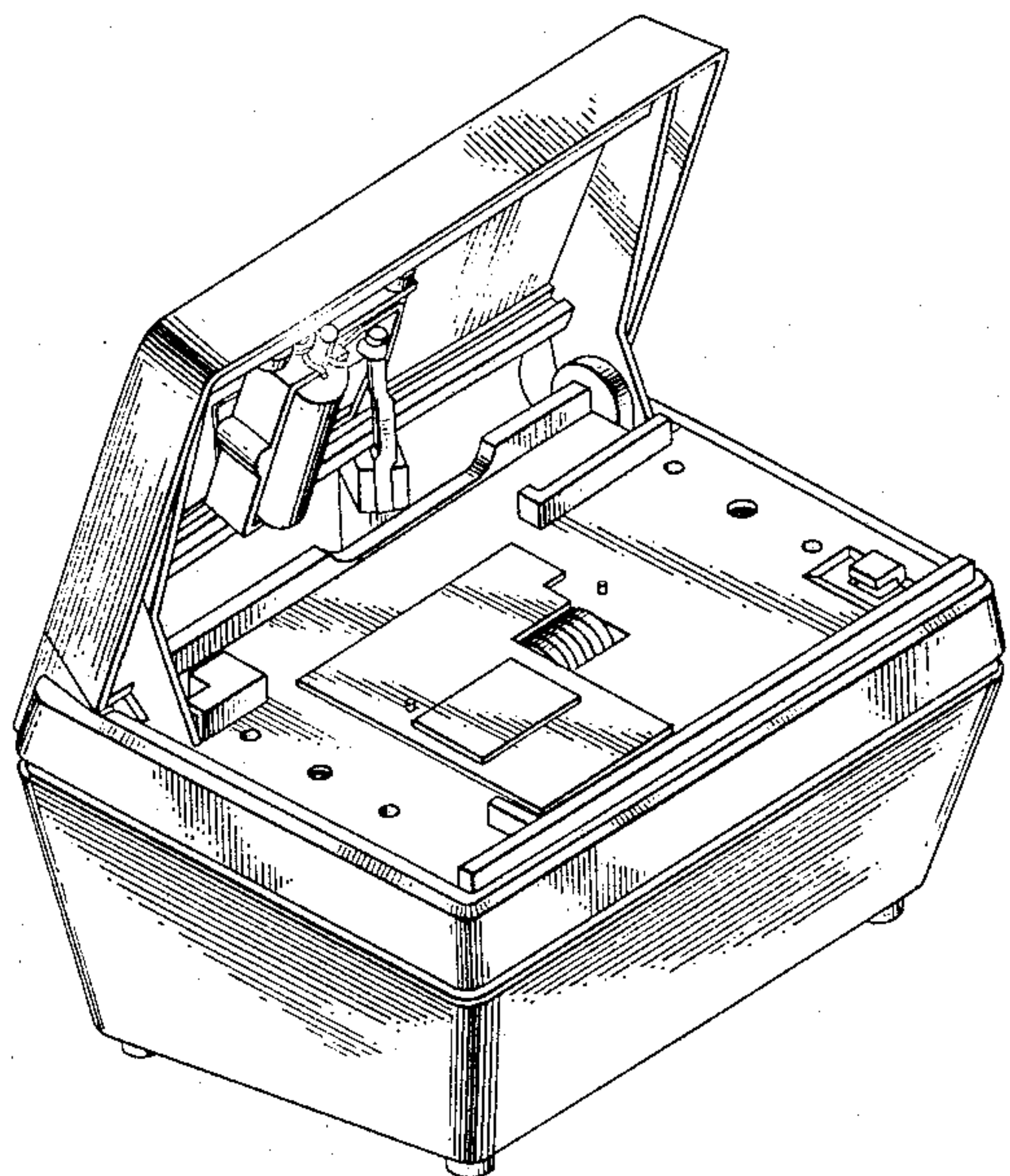
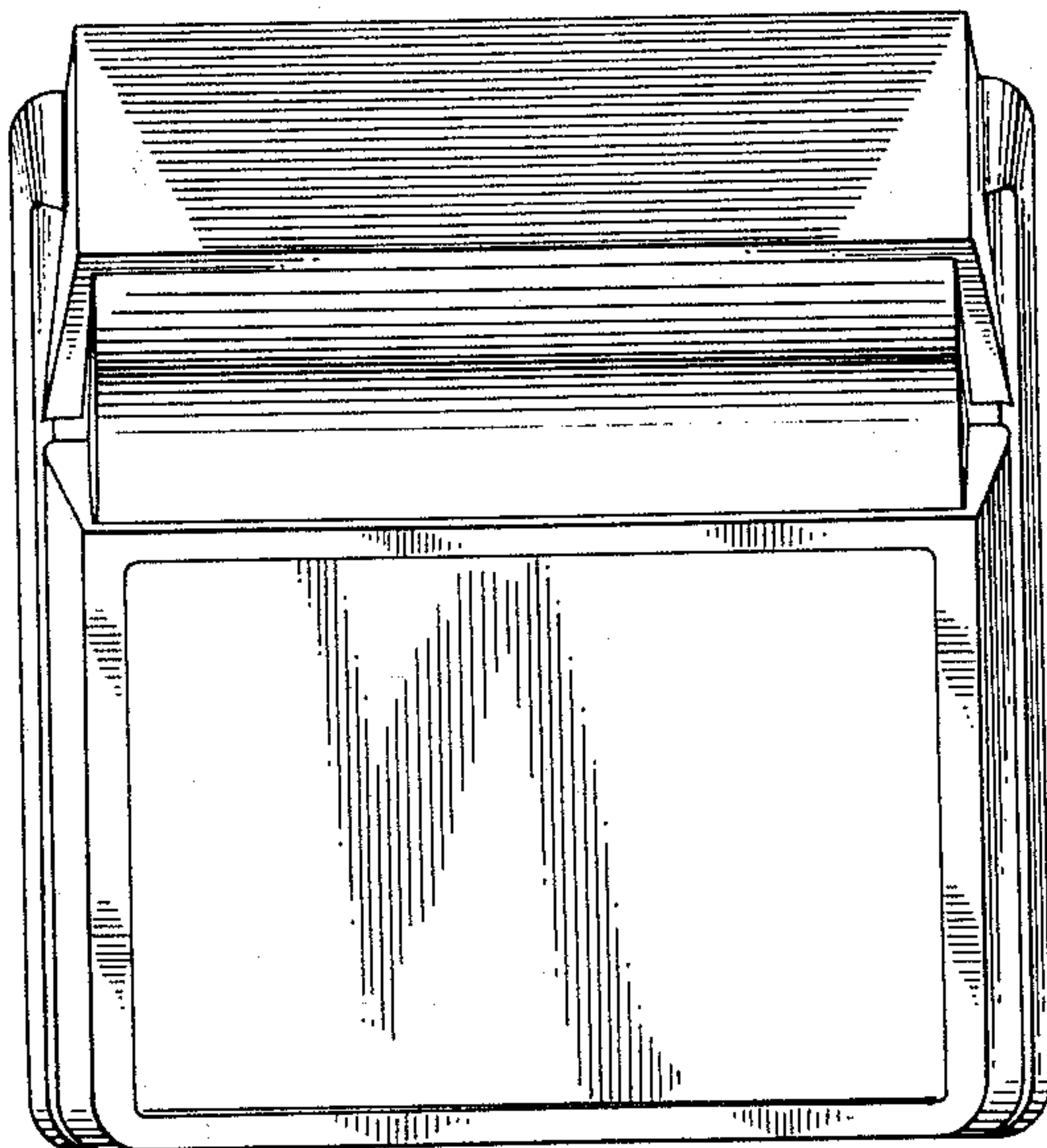


FIG. 1.

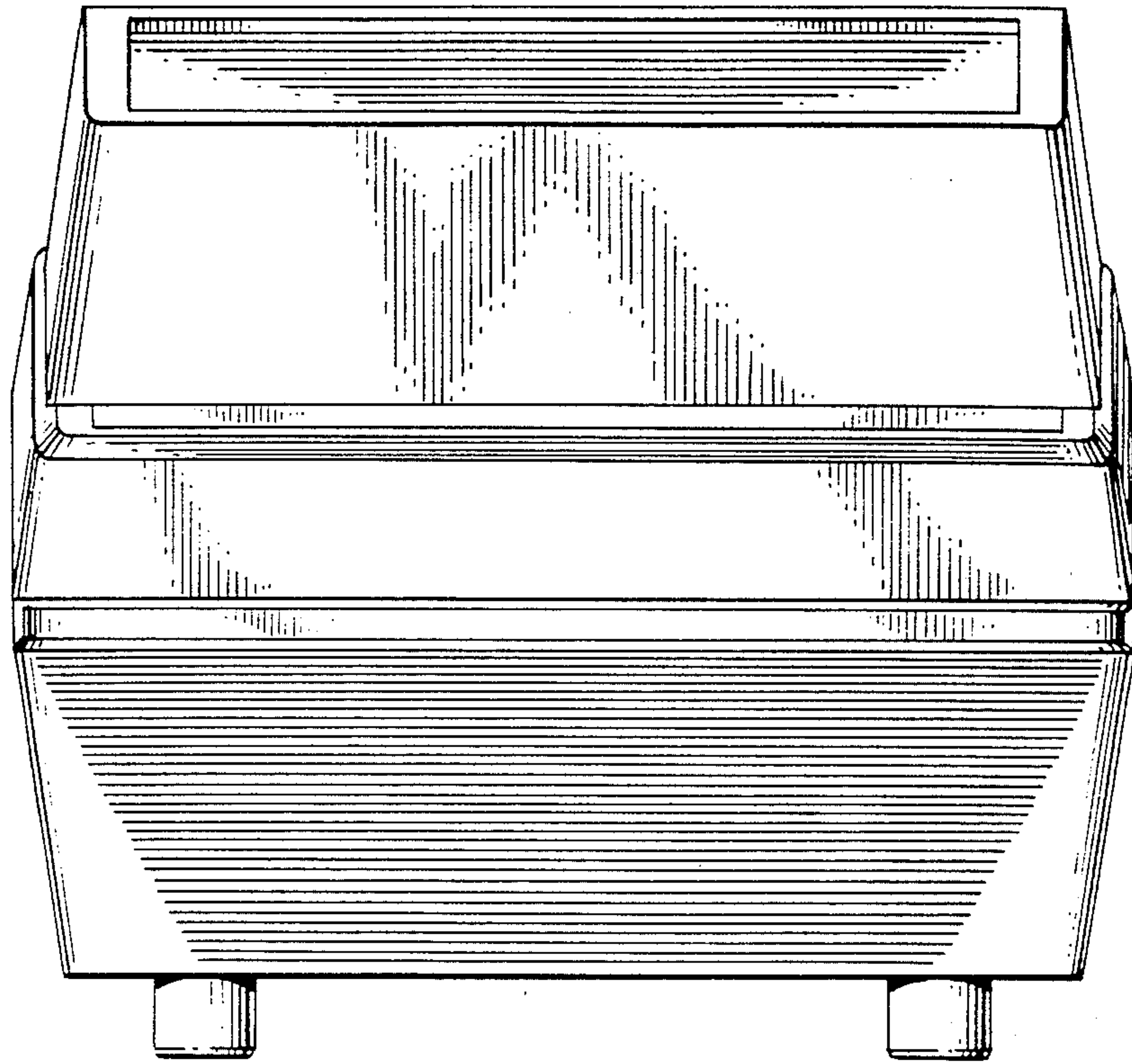


FIG. 2.

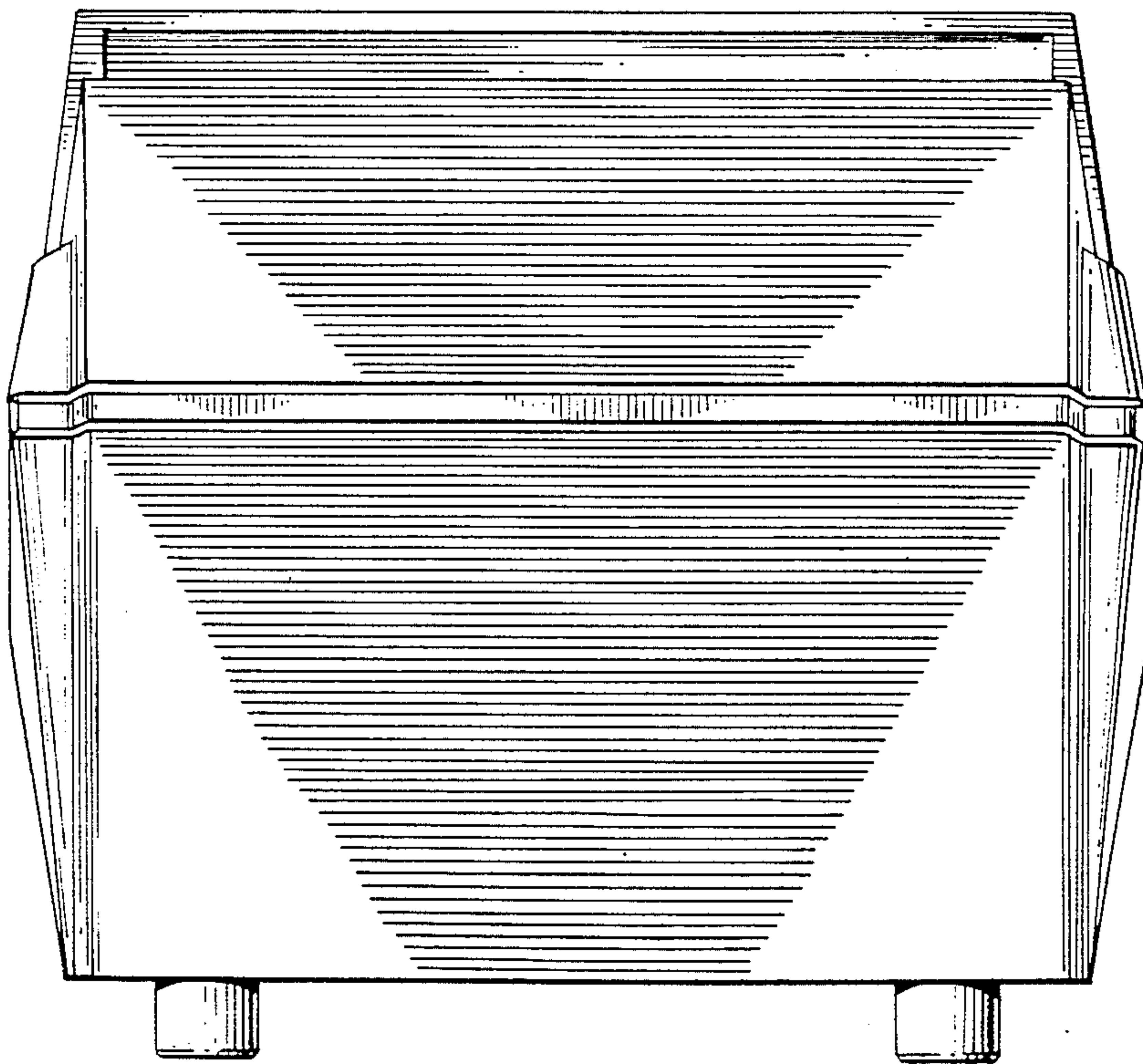


FIG. 3.

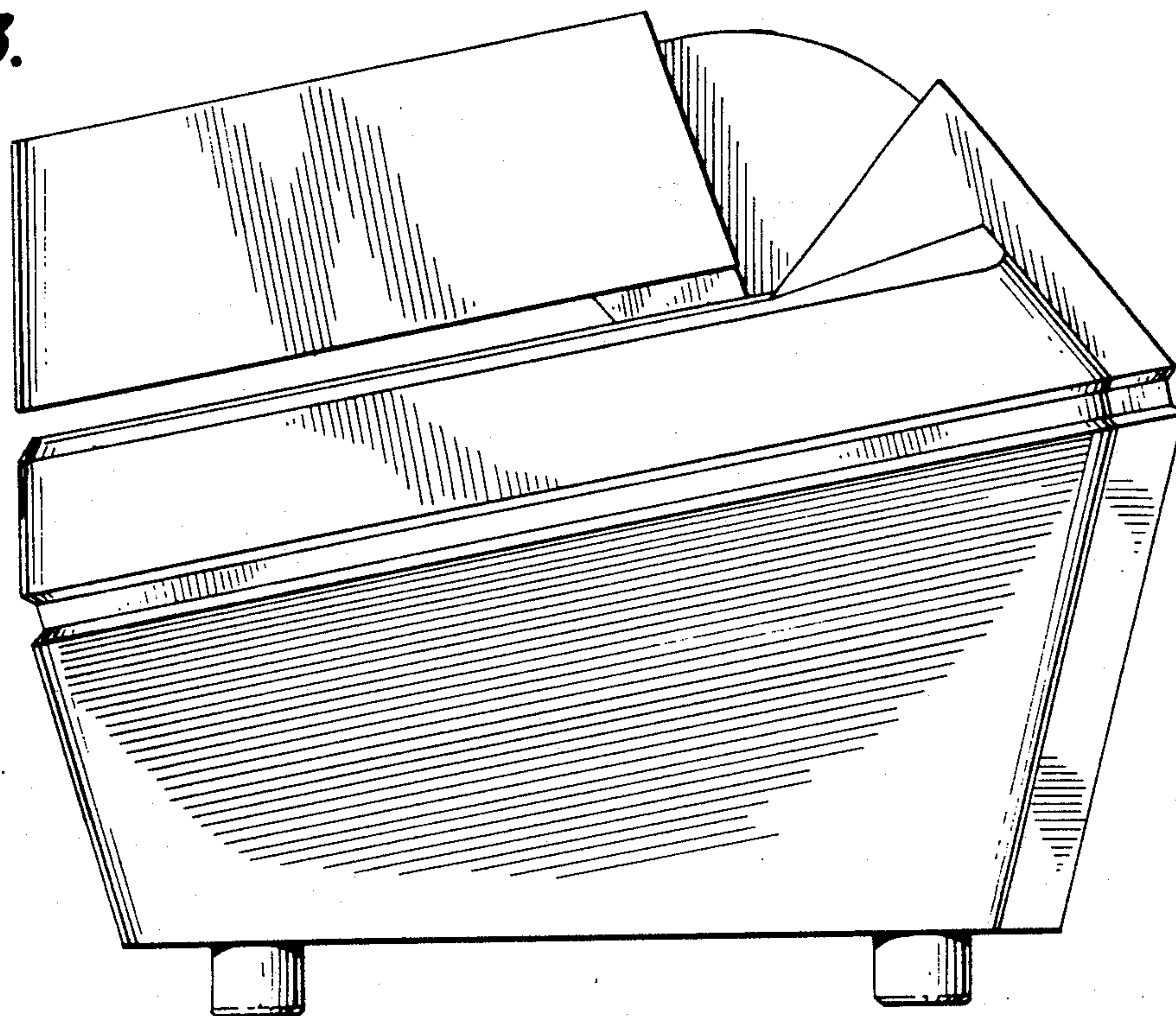


FIG. 4.

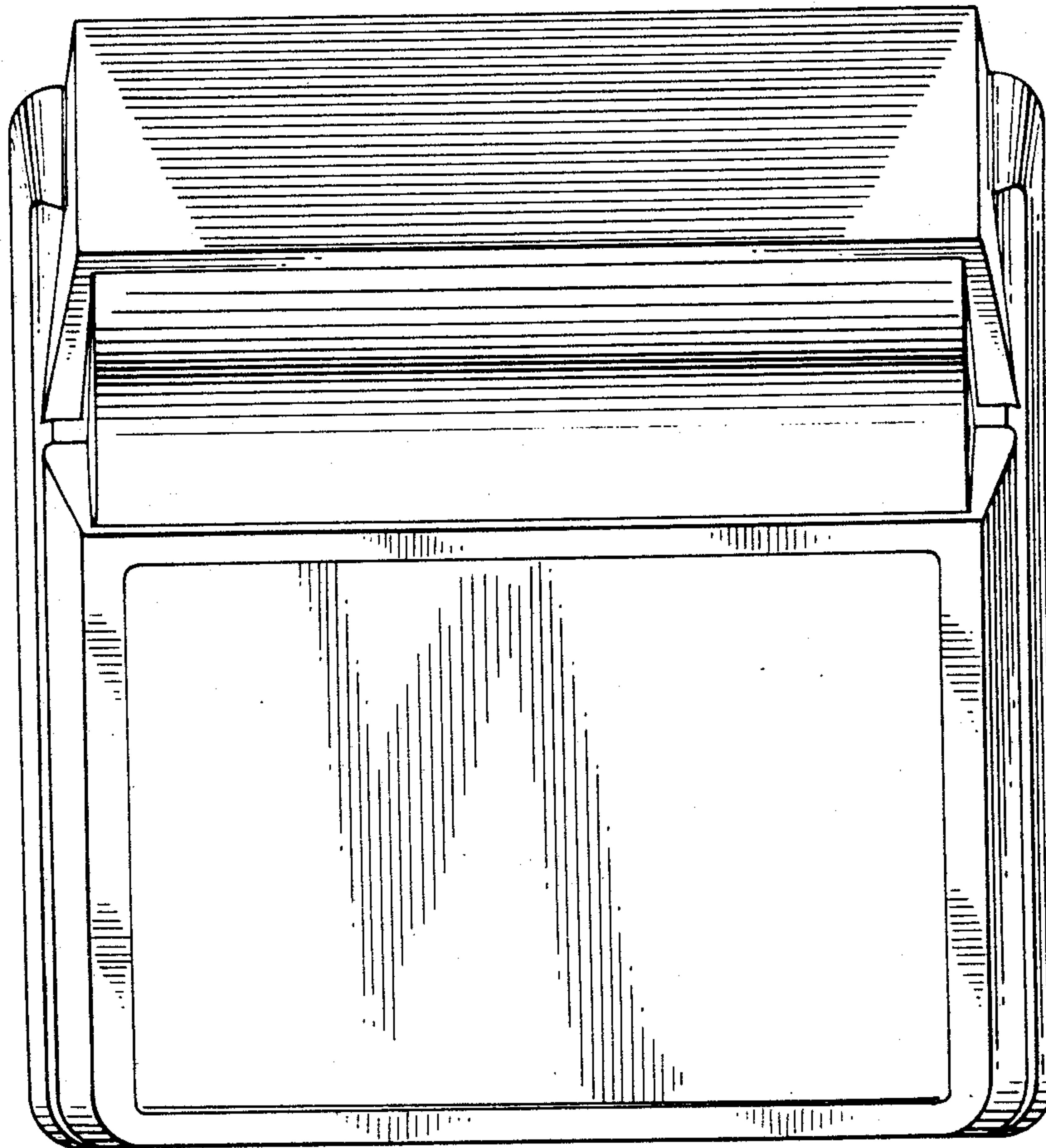


FIG. 5.

