

[54] ELECTRONIC COPYING MACHINE

[75] Inventor: Harumi Fukuda, Osaka, Japan

[73] Assignee: Sharp Corporation, Osaka, Japan

[\*\*] Term: 14 Years

[21] Appl. No.: 696,600

[22] Filed: Jan. 28, 1985

[52] U.S. Cl. .... D16/31; D14/94

[58] Field of Search ..... D16/27-32;  
355/3 R, 3 DD, 8, 11; D14/94

[56] References Cited

U.S. PATENT DOCUMENTS

D. 228,957	10/1973	Ishii	.....	D16/30
D. 263,146	2/1982	Yamamoto	.....	D16/31
D. 276,051	10/1984	Kosako	.....	D16/31
D. 276,340	11/1984	Takeuchi	.....	D14/94
D. 278,817	5/1985	Ohno	.....	D14/94

D. 279,780	7/1985	Nishiwaki	.....	D14/94
D. 286,540	11/1986	Hashimoto	.....	D16/32
4,279,504	7/1981	Brown	.....	D16/32

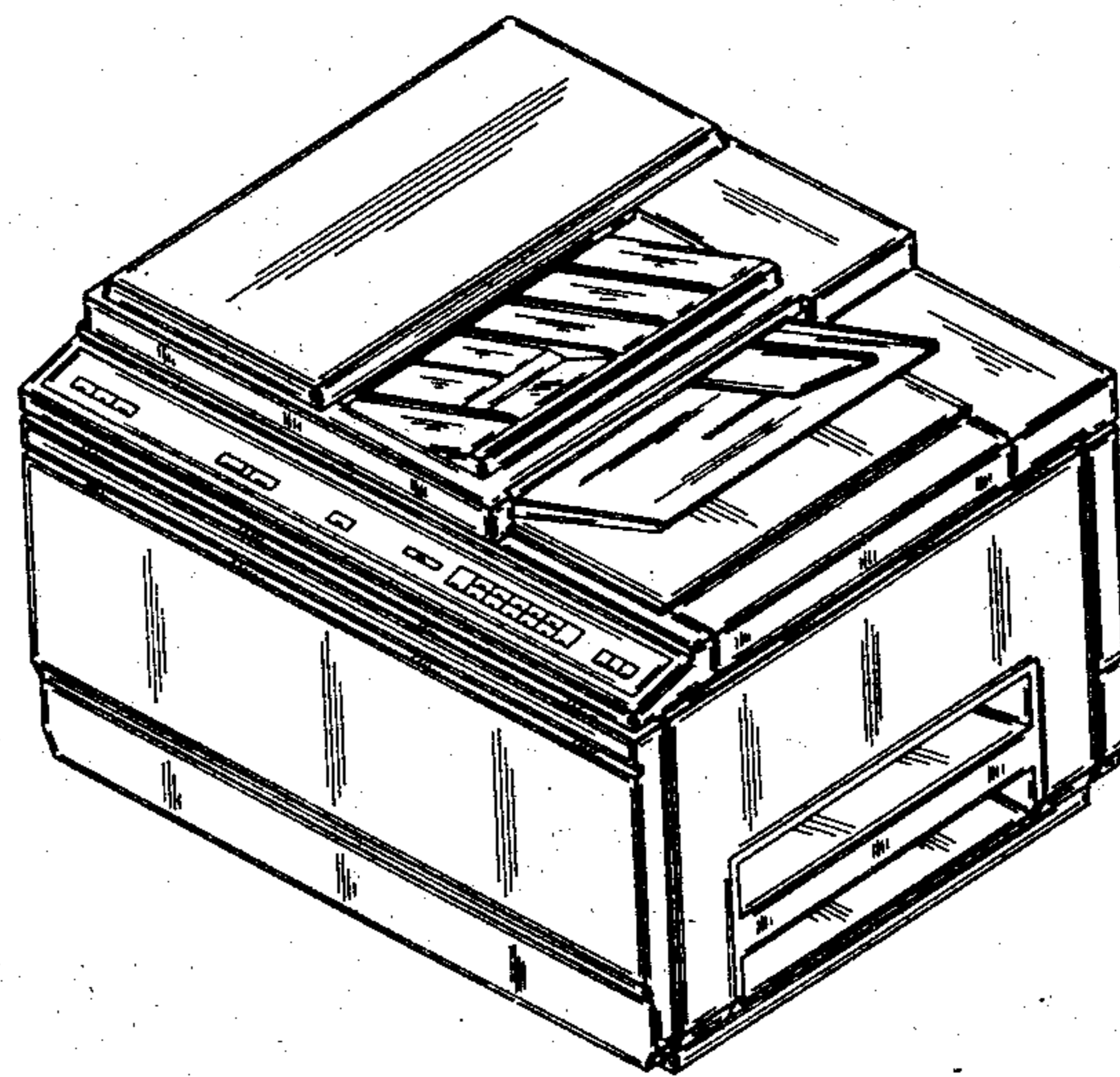
Primary Examiner—Nelson C. Holtje  
Attorney, Agent, or Firm—Flehr, Hohbach, Test,  
Albritton & Herbert

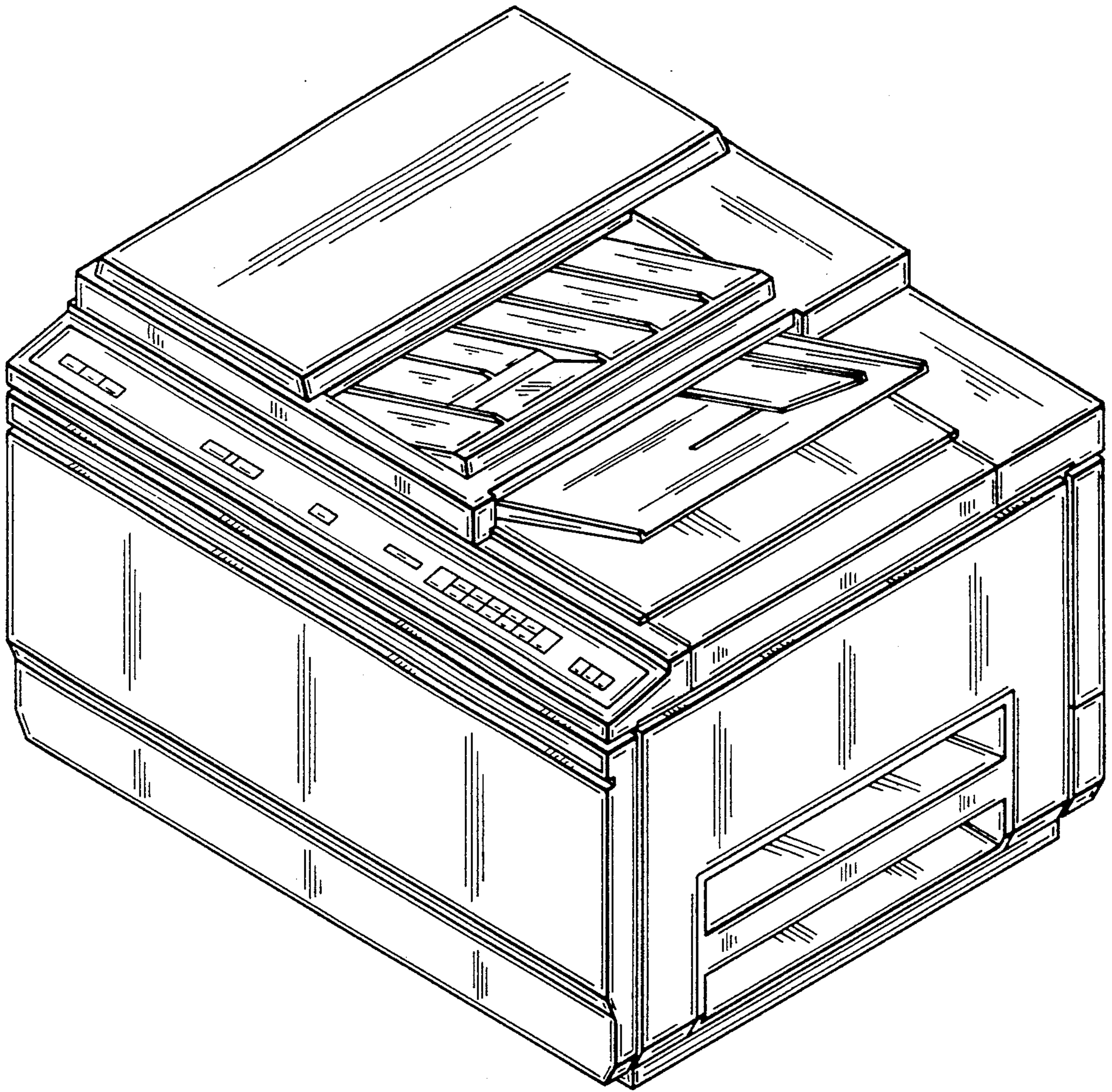
[57] CLAIM

The ornamental design for an electronic copying machine, as shown and described.

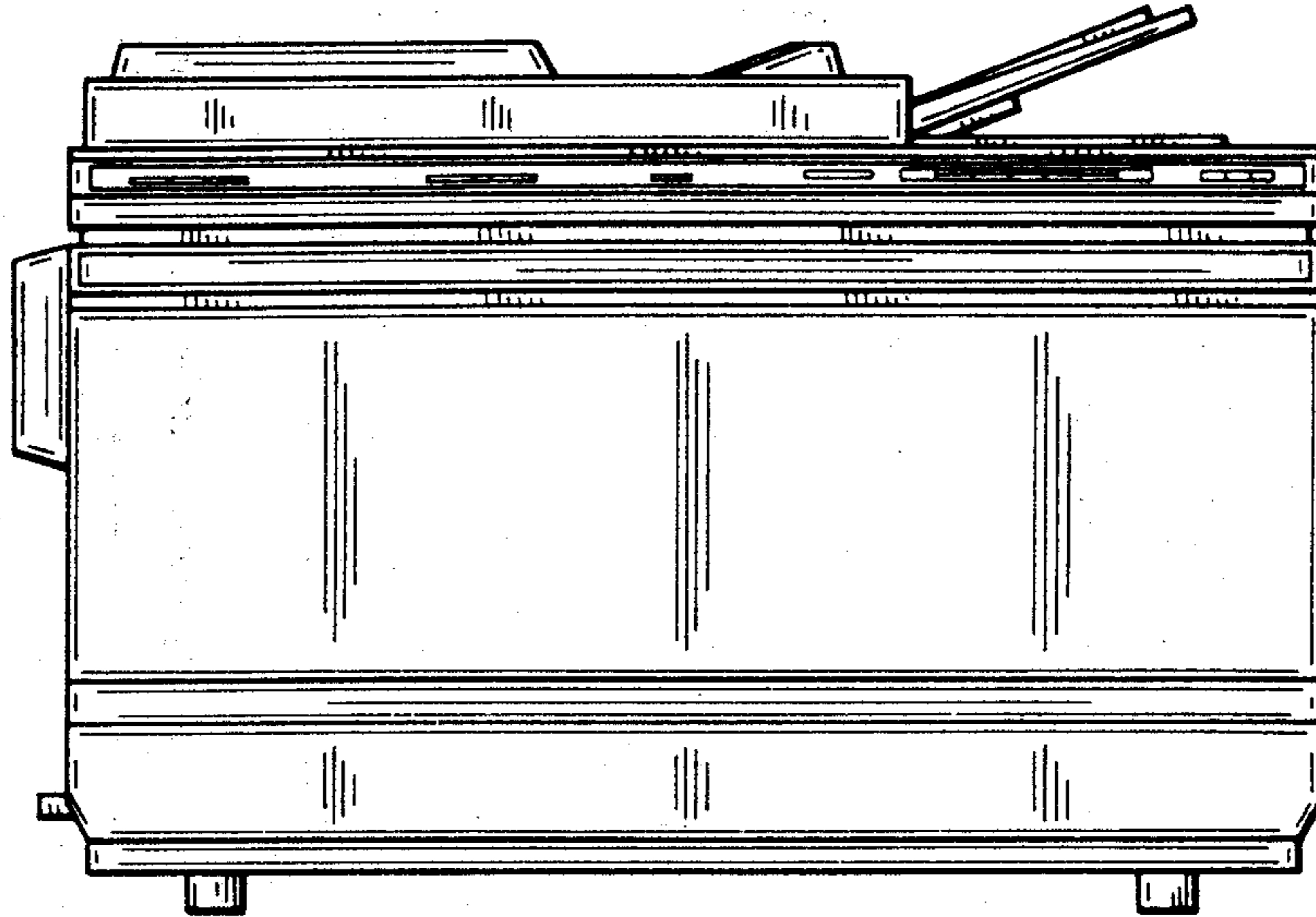
DESCRIPTION

FIG. 1 is a perspective view of the electronic copying machine showing my new design;  
FIG. 2 is a front elevational view thereof;  
FIG. 3 is a rear elevational view thereof;  
FIG. 4 is a right side elevational view thereof;  
FIG. 5 is a left side elevational view thereof;  
FIG. 6 is a top plan view thereof; and  
FIG. 7 is a bottom plan view thereof.

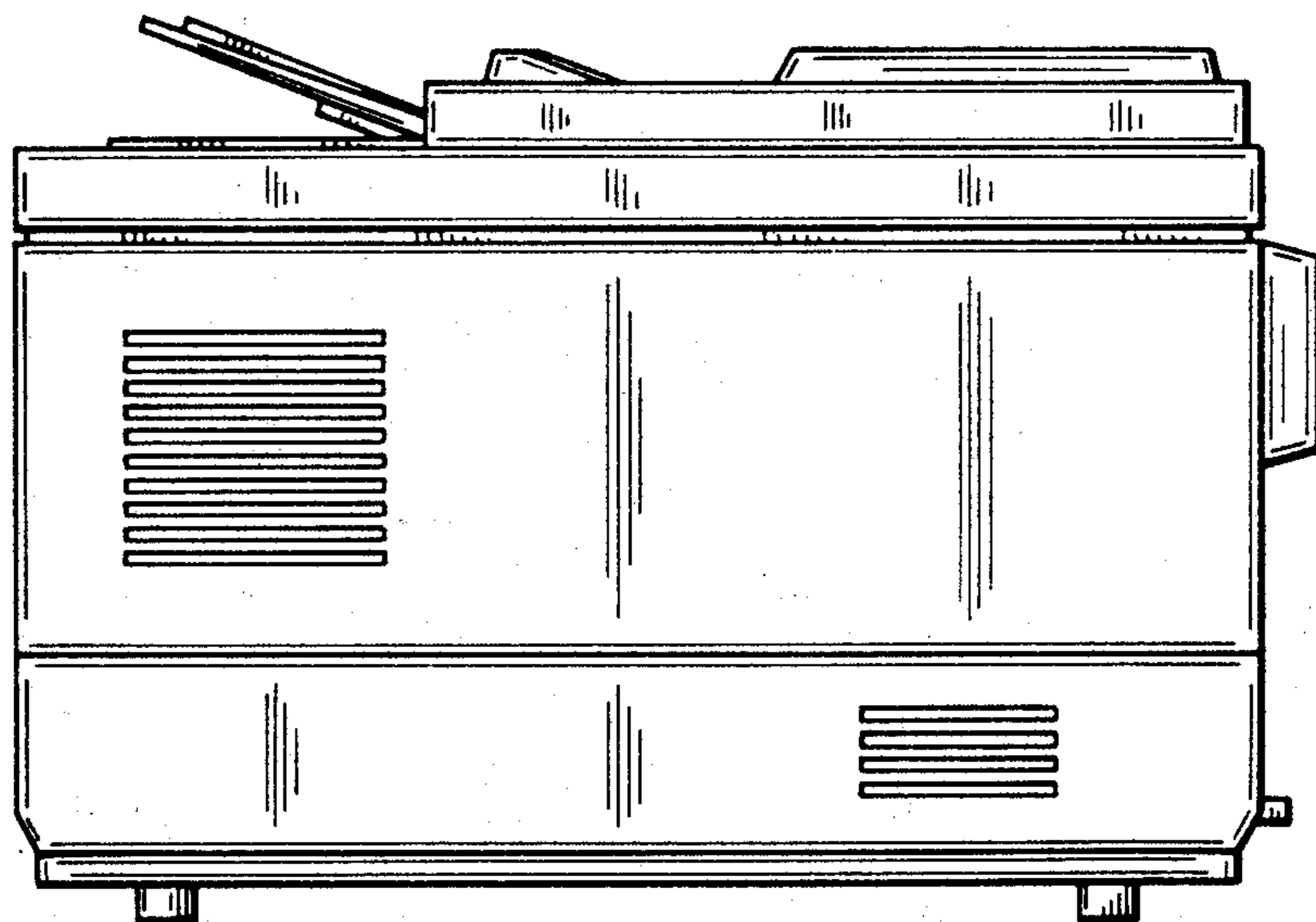




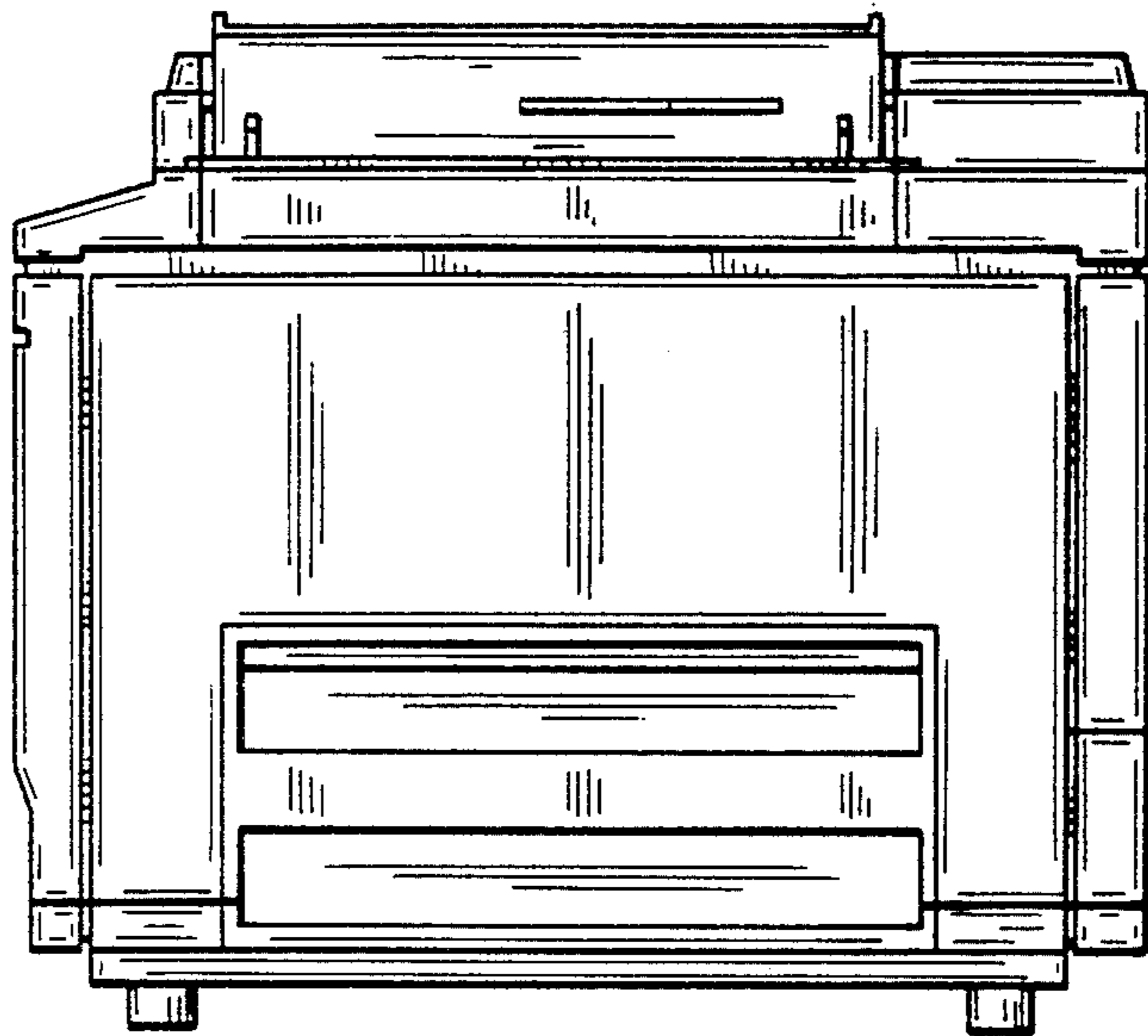
*FIG\_1*



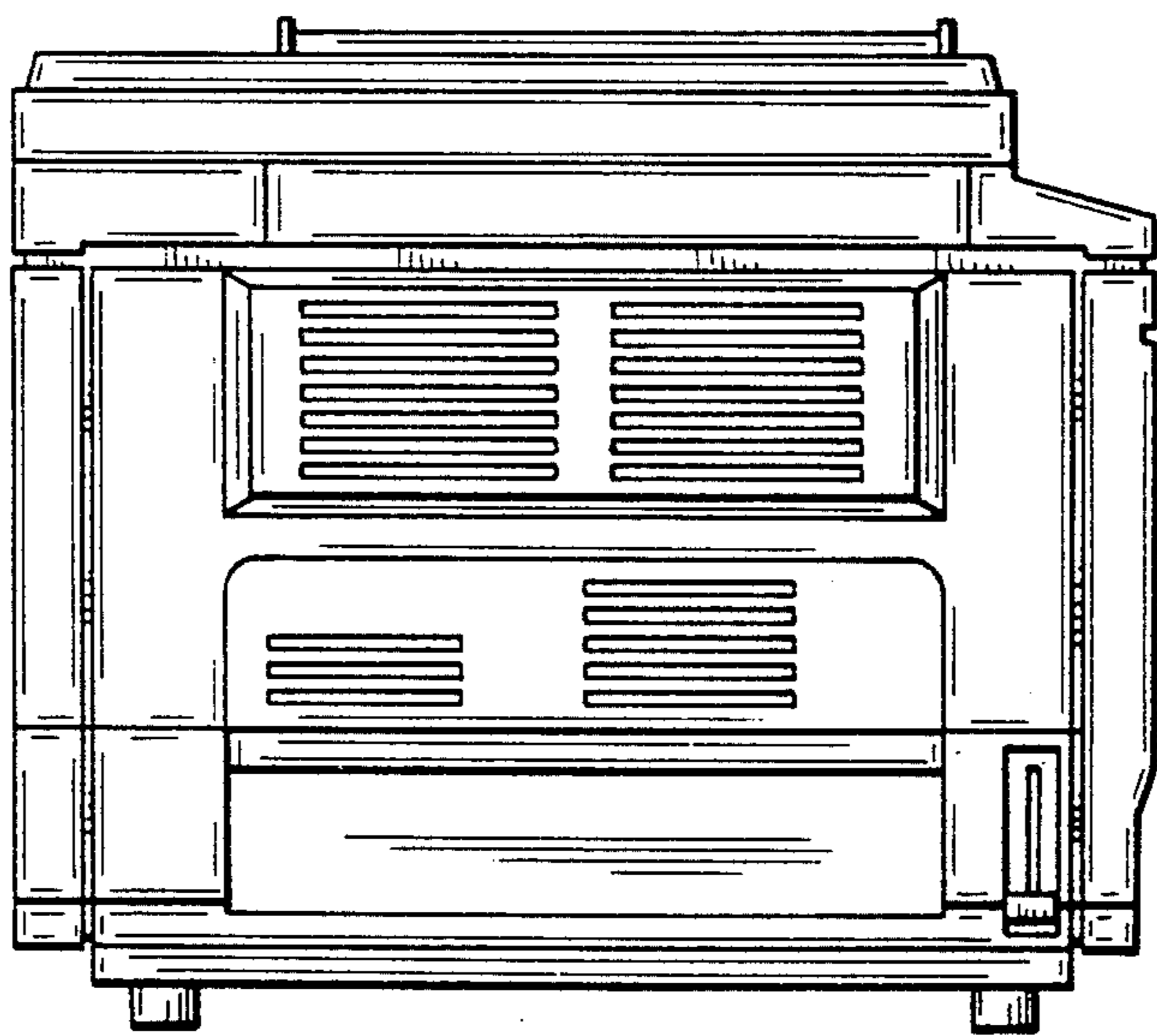
*FIG\_2*



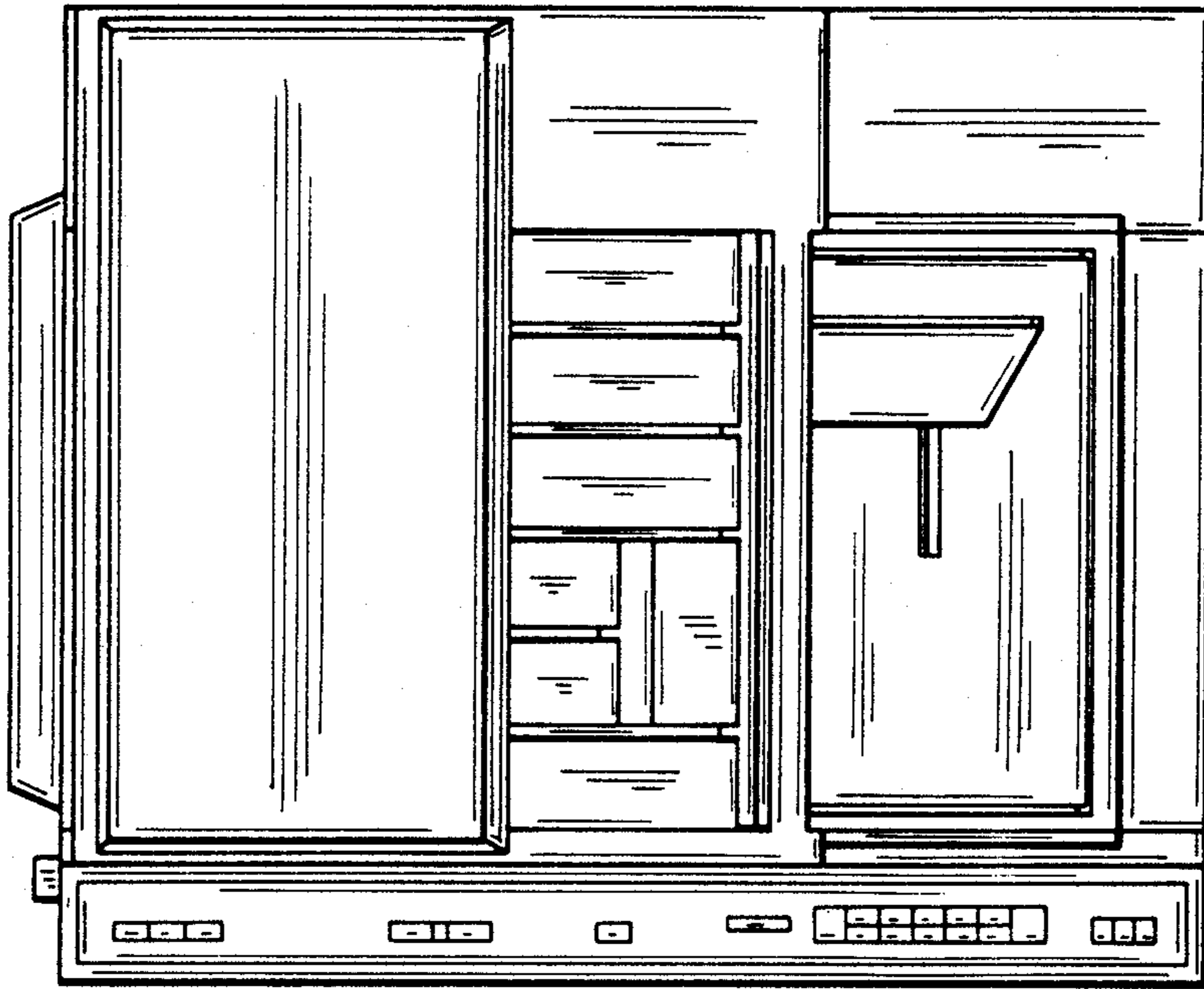
*FIG\_3*



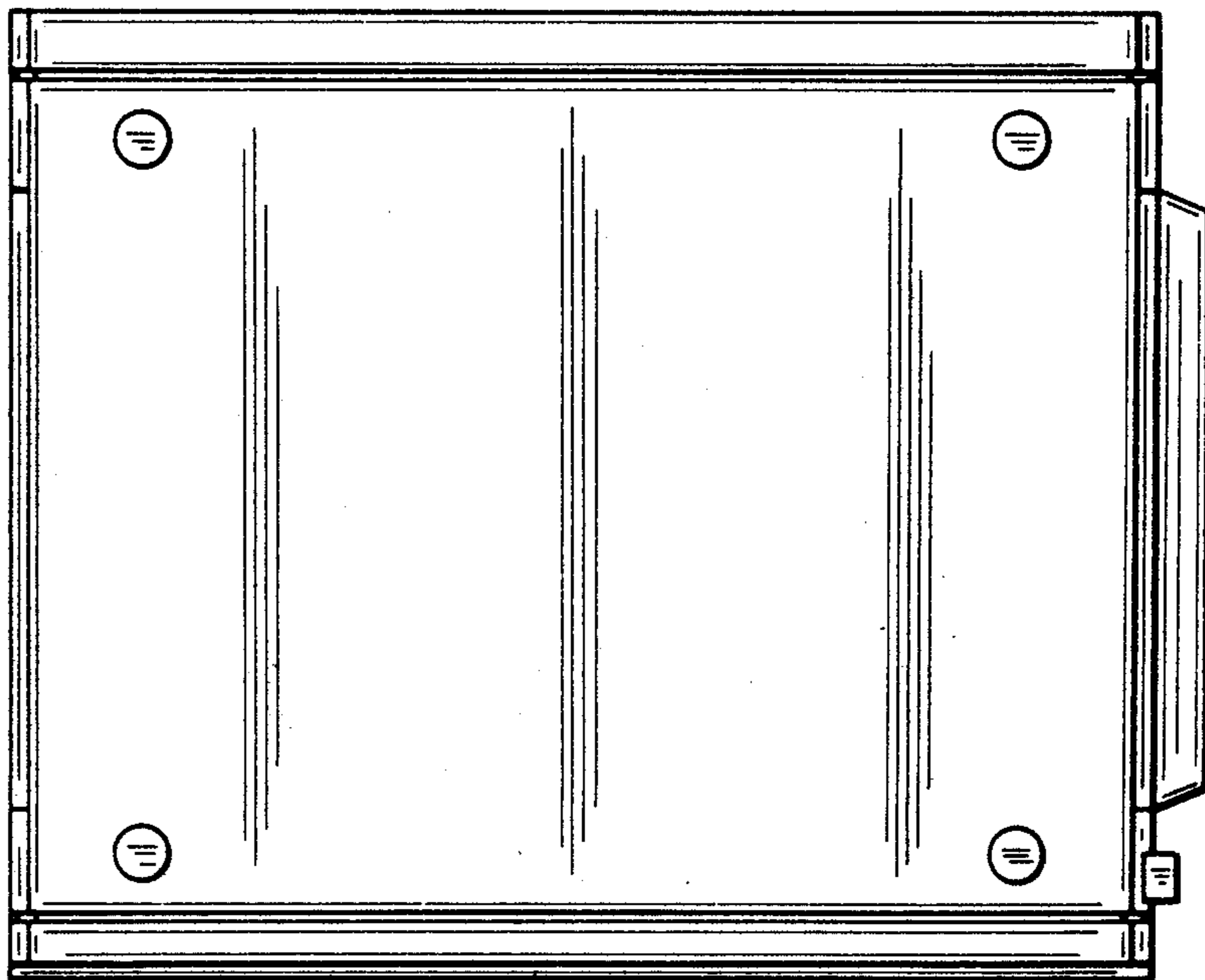
*FIG\_4*



*FIG\_5*



**FIG\_6**



**FIG\_7**