

[54] INDUSTRIAL ROBOT
[75] Inventors: Masato Shibayama, Sayama; Yutaka Imaizumi, Yaizu; Housei Higashi, Shimizu, all of Japan

4,208,619 6/1980 Delebecque 414/749
4,274,801 6/1981 Herb et al. 414/751
4,557,657 12/1985 Olson et al. 414/749
4,566,726 1/1986 Correnti et al. 414/737
4,571,149 2/1986 Soroka et al. 414/750
4,583,909 4/1986 Yamashita et al. 414/749

[73] Assignee: Hitachi, Ltd., Tokyo, Japan

Primary Examiner—B. J. Bullock
Attorney, Agent, or Firm—Antonelli, Terry & Wands

[**] Term: 14 Years

[21] Appl. No.: 704,722

[57] CLAIM

[22] Filed: Feb. 25, 1985

The ornamental design for an industrial robot, as shown.

[30] Foreign Application Priority Data

Sep. 19, 1984 [JP] Japan 59-38543

[52] U.S. Cl. D15/199; D15/122

[58] Field of Search D15/122, 199; 414/749, 414/750, 751, 752, 753, 737

DESCRIPTION

FIG. 1 is a front, top and left side perspective view of an industrial robot showing our new design;
FIG. 2 is a left side elevational view thereof;
FIG. 3 is a right side elevational view thereof;
FIG. 4 is a front elevational view thereof;
FIG. 5 is a top plan view thereof;
FIG. 6 is a bottom plan view thereof;
FIG. 7 is a rear elevational view thereof.

[56] References Cited

U.S. PATENT DOCUMENTS

D. 287,135 12/1986 Nagatani D15/199

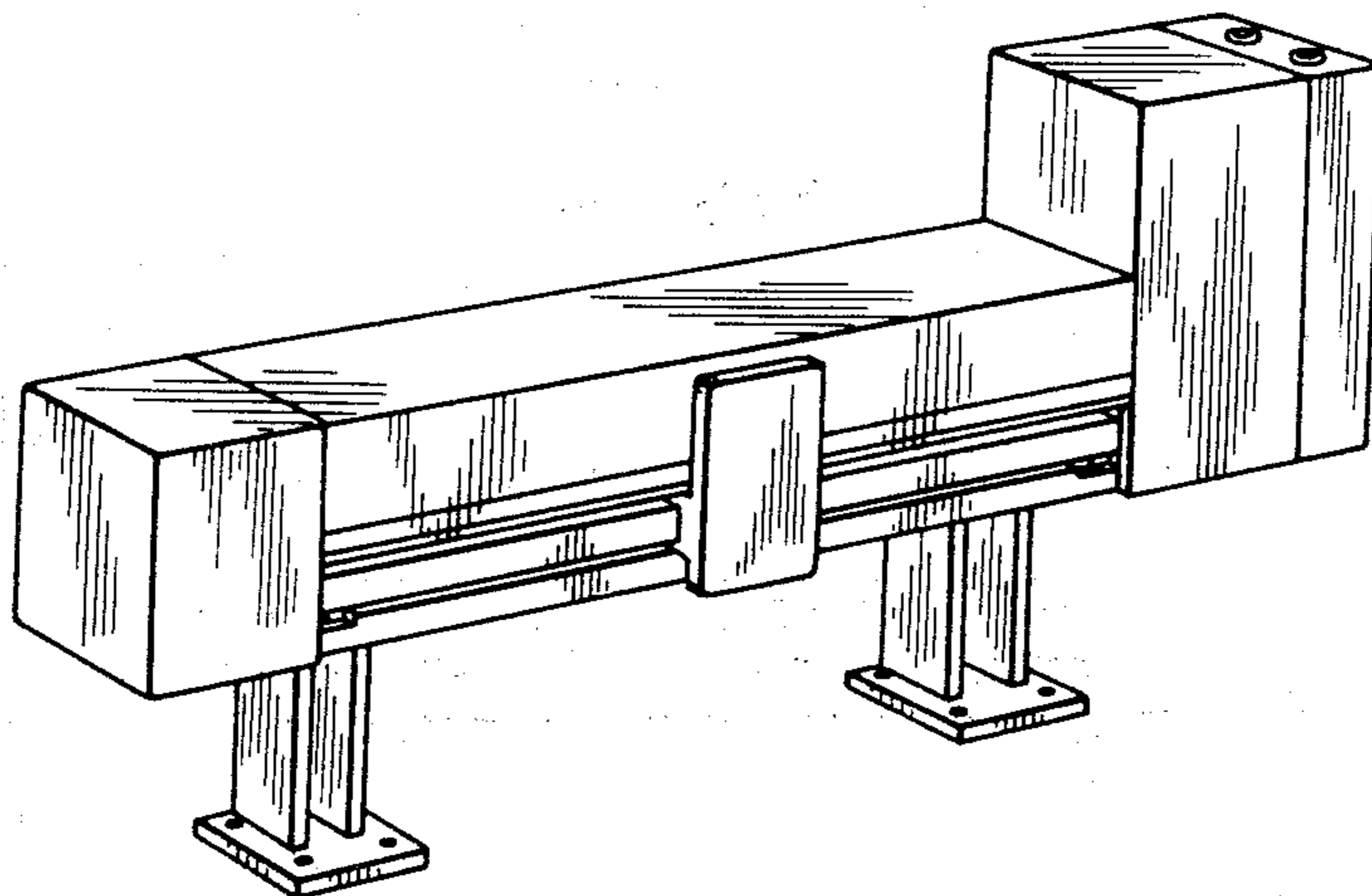


FIG. 1

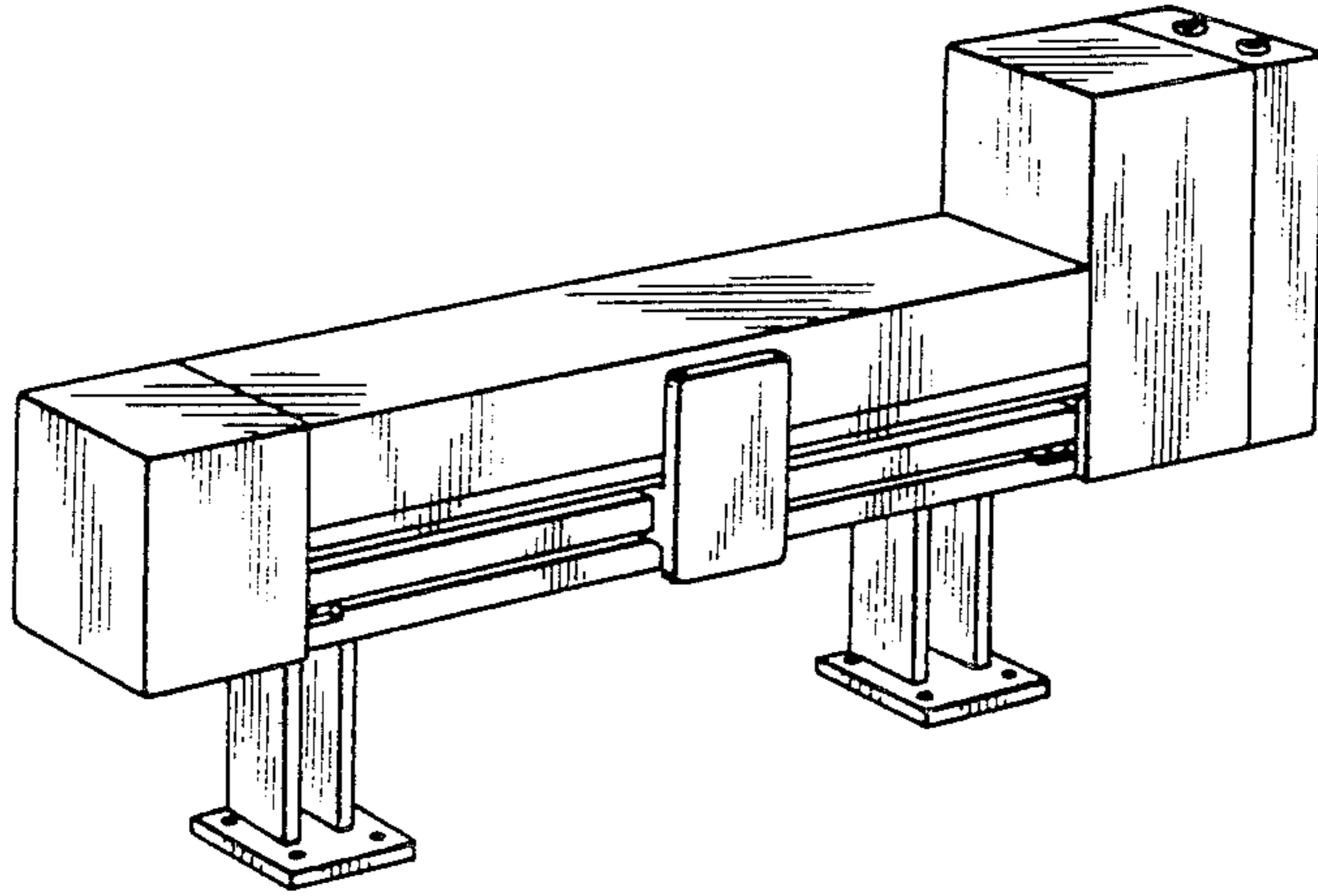


FIG. 2

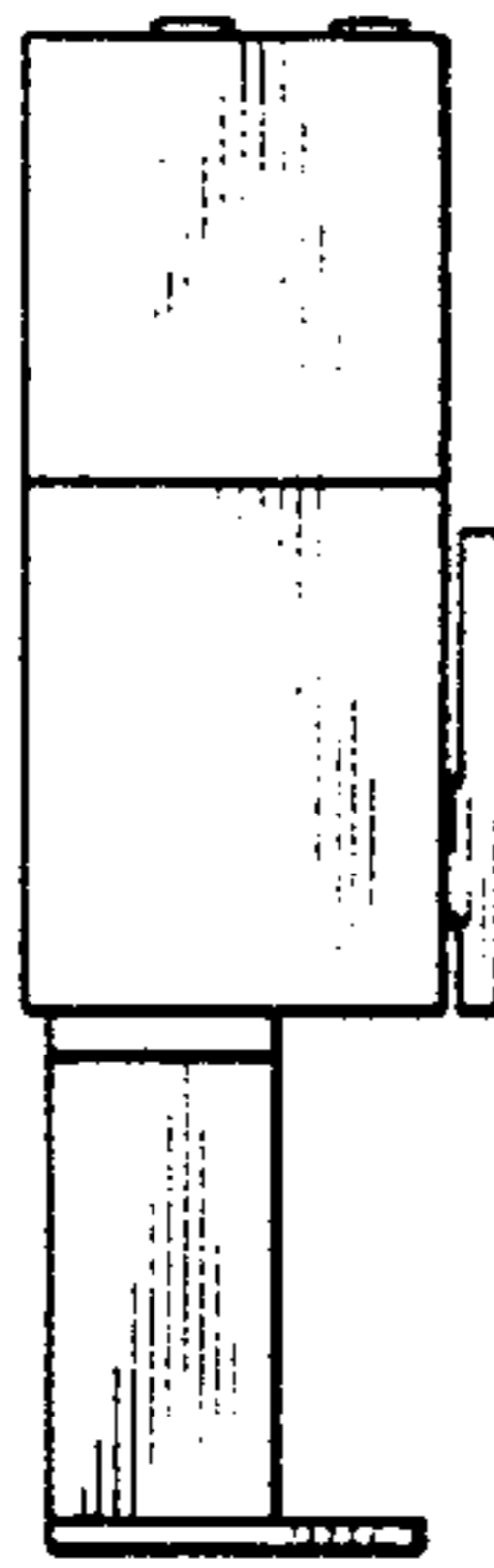


FIG. 3

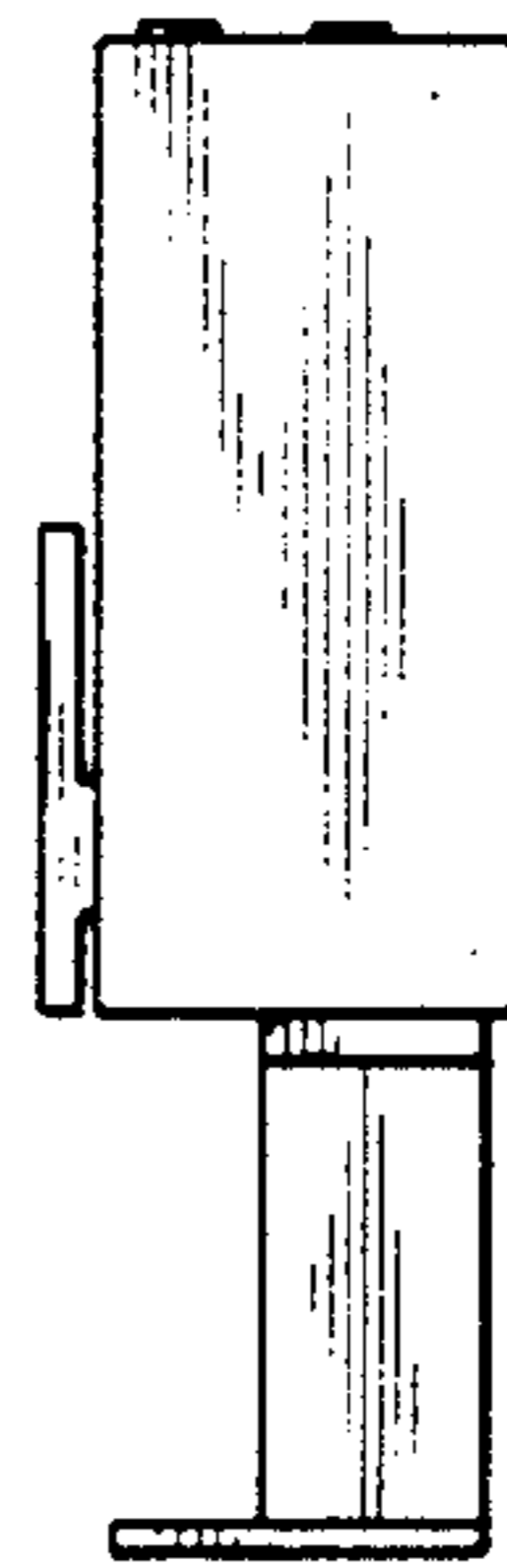


FIG. 4

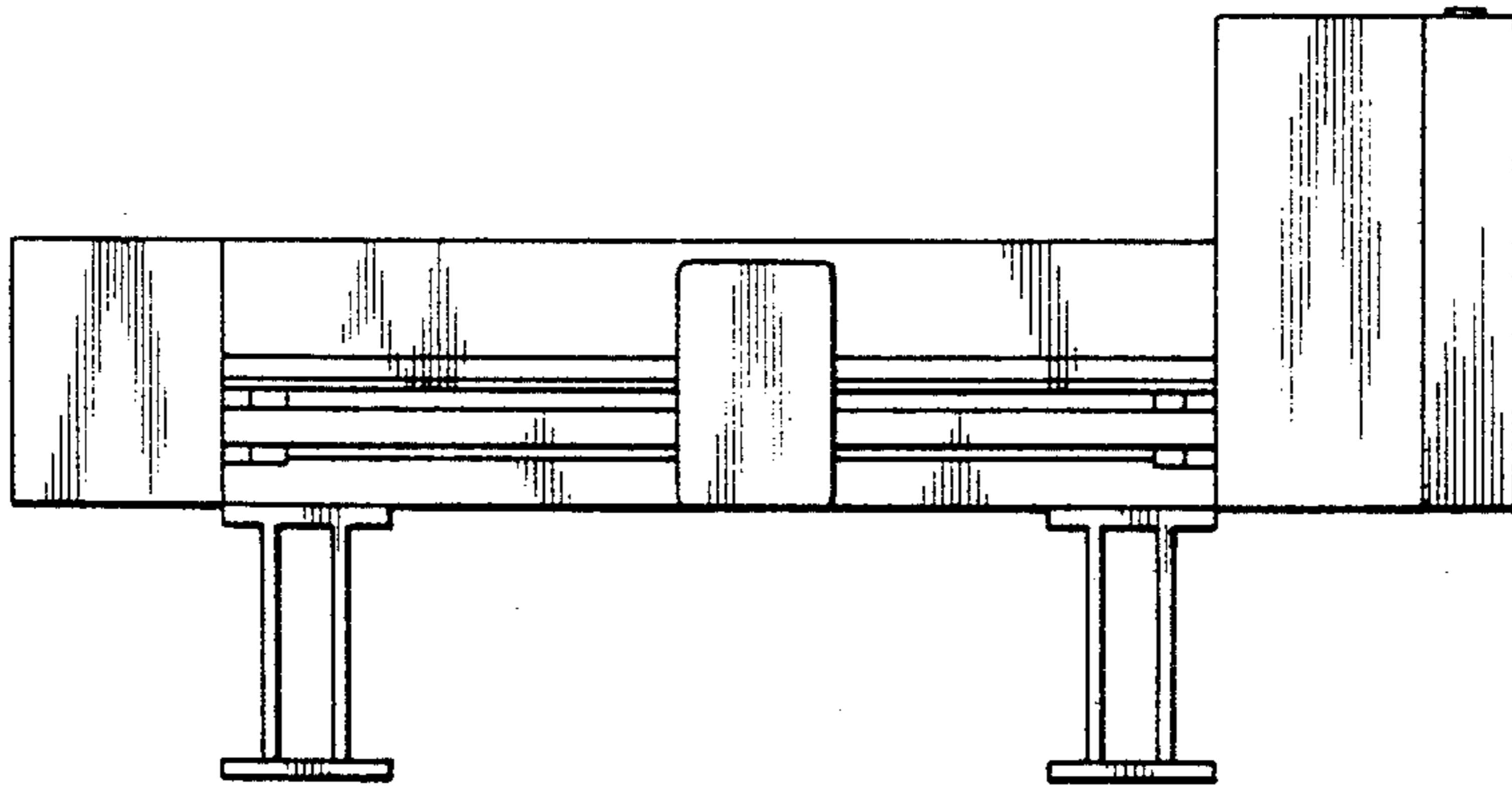


FIG. 5



FIG. 6



FIG. 7

