

[54] SEWING MACHINE

[75] Inventor: Yoshihide Yoneda, Osaka, Japan

[73] Assignee: Maruzen Sewing Machine Co., Ltd., Osaka, Japan

[**] Term: 14 Years

[21] Appl. No.: 615,740

[22] Filed: May 31, 1984

[52] U.S. Cl. D15/69

[58] Field of Search D15/68-70; 112/63, 258-261

[56] References Cited

U.S. PATENT DOCUMENTS

D. 250,649	12/1978	Hirano	D15/70
D. 253,347	11/1979	Felix	D15/70
D. 283,029	3/1986	David	D15/69
3,552,340	1/1971	Fresard	112/258
4,055,131	10/1977	O'Brien et al.	112/258 X
4,211,178	7/1980	Peterson	112/258
4,220,103	9/1980	Kasahara et al.	112/260

4,434,736 3/1984 Szostak et al. 112/258

Primary Examiner—Bernard Ansher
Assistant Examiner—Linda Titolo
Attorney, Agent, or Firm—Lowe Price LeBlanc Becker & Shur

[57] CLAIM

The ornamental design for a sewing machine, as shown and described.

DESCRIPTION

FIG. 1 is a top plan view of a sewing machine showing my new design;
FIG. 2 is a front elevational view thereof;
FIG. 3 is a bottom plan view thereof;
FIG. 4 is a rear elevational view thereof;
FIG. 5 is a left side elevational view thereof;
FIG. 6 is a right side elevational view thereof;
FIG. 7 is a front perspective view thereof;
FIG. 8 is a rear perspective view thereof with the handle member in an upright position; and
FIG. 9 is a rear perspective view thereof with the spool handle member in a retracted position.

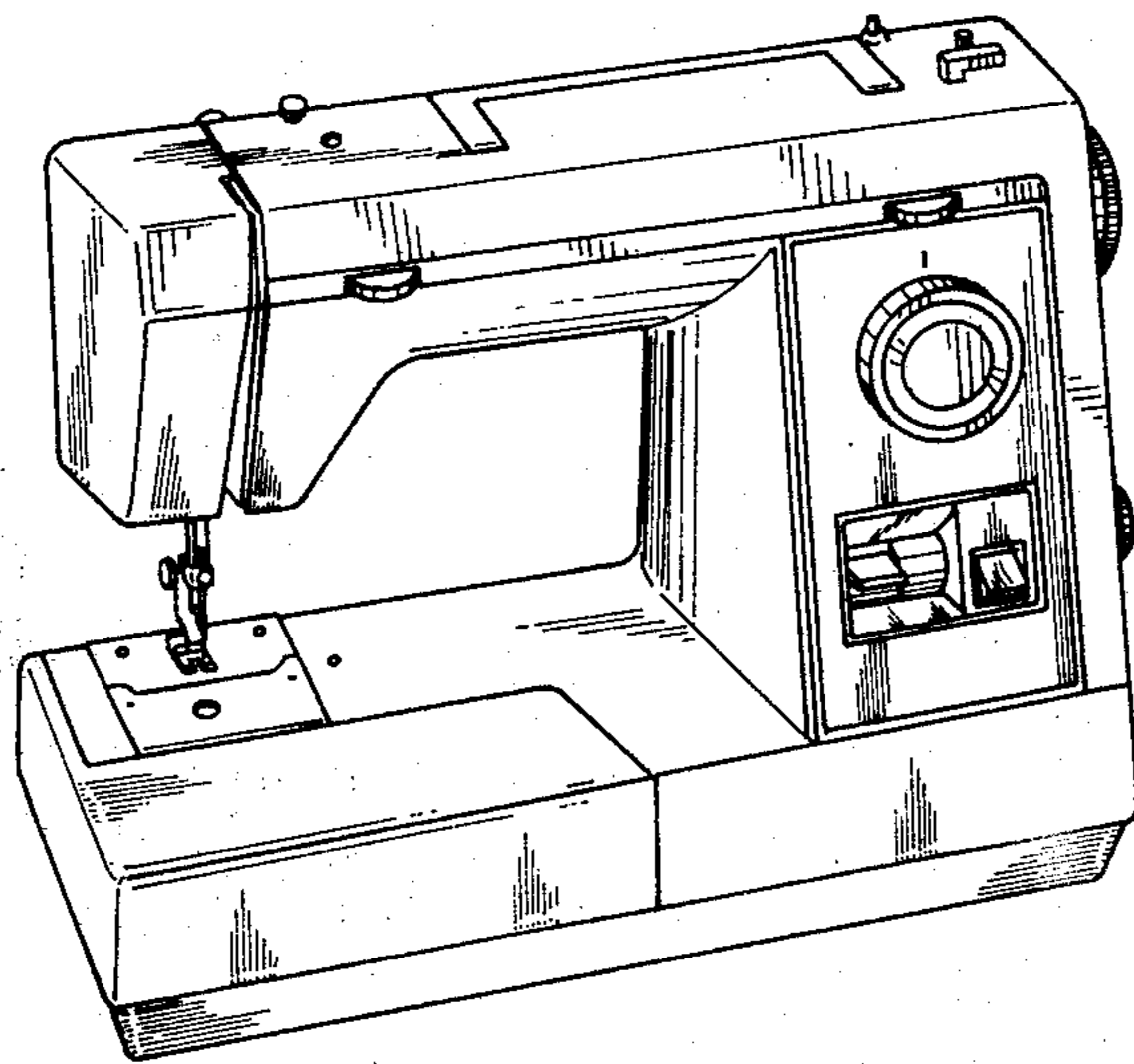


FIG. 6

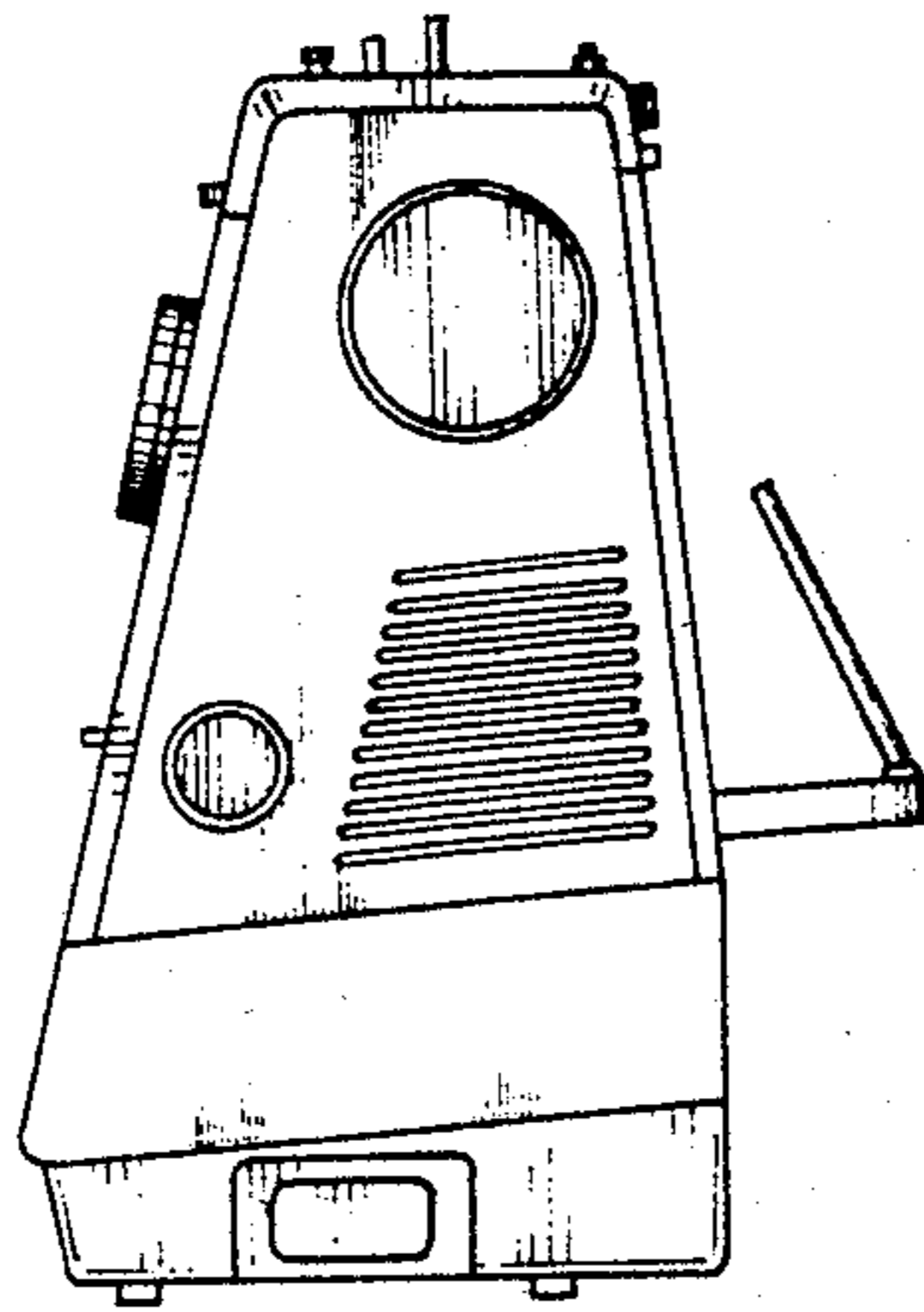


FIG. 5

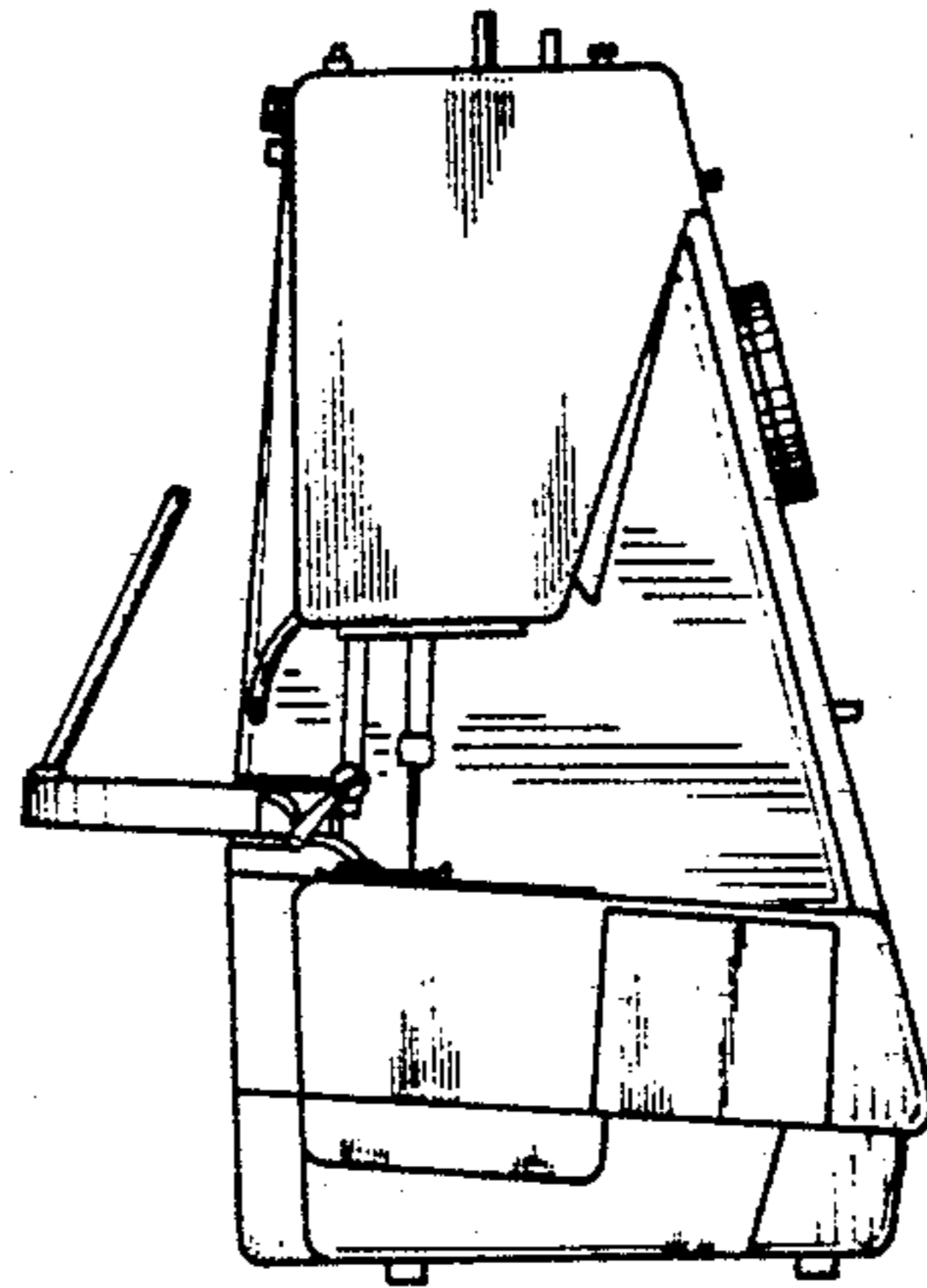


FIG. 3

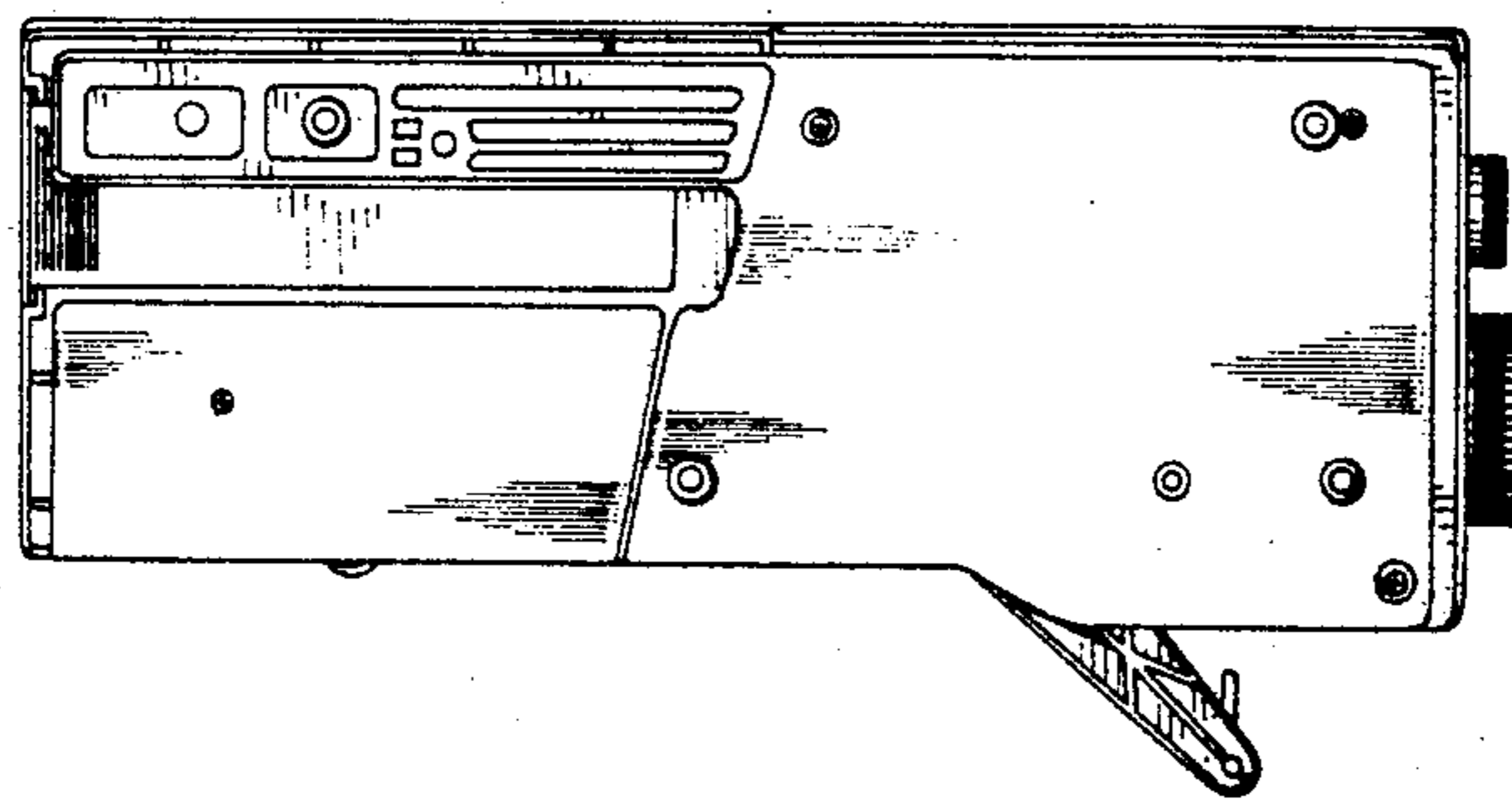


FIG. 1

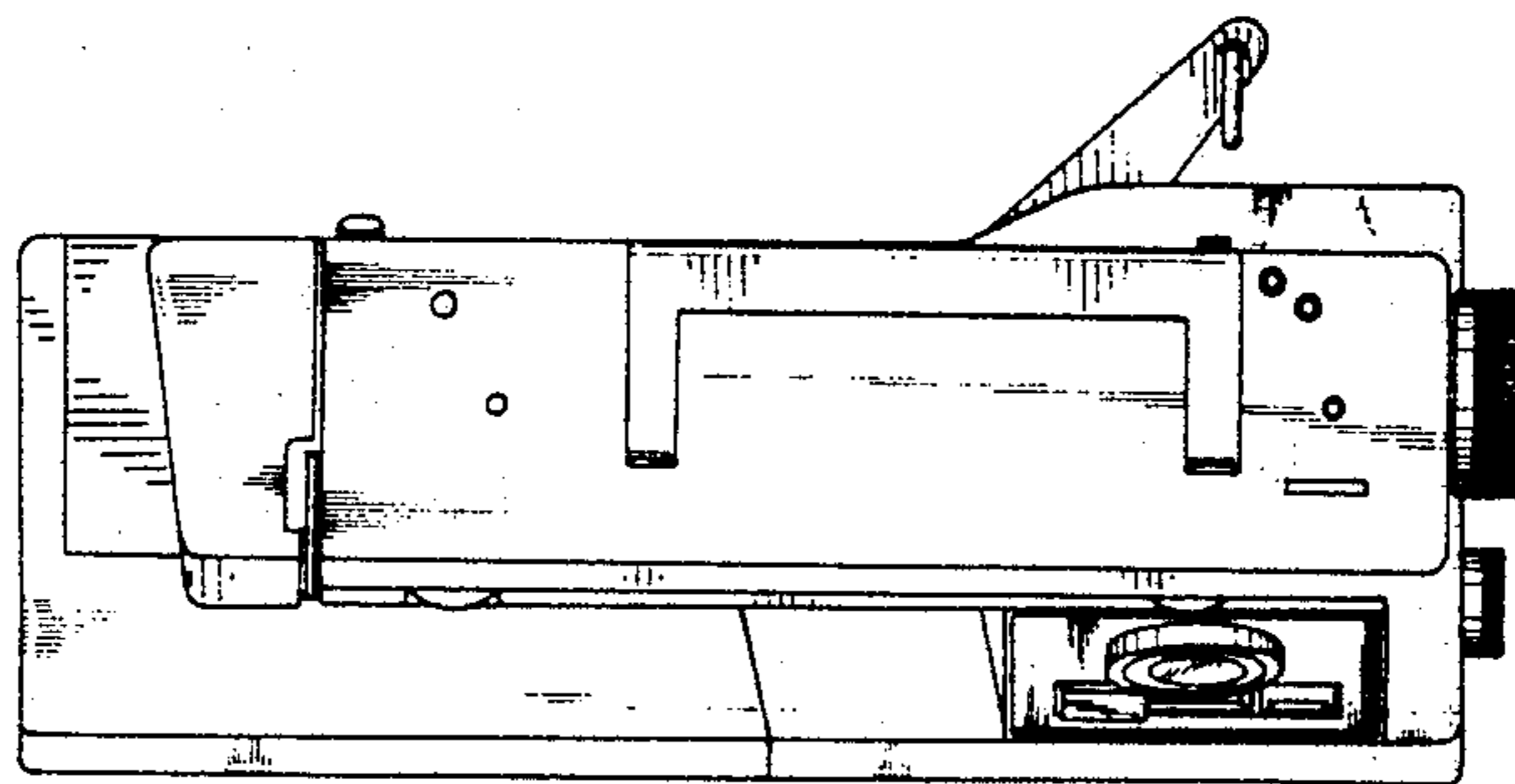


FIG. 2

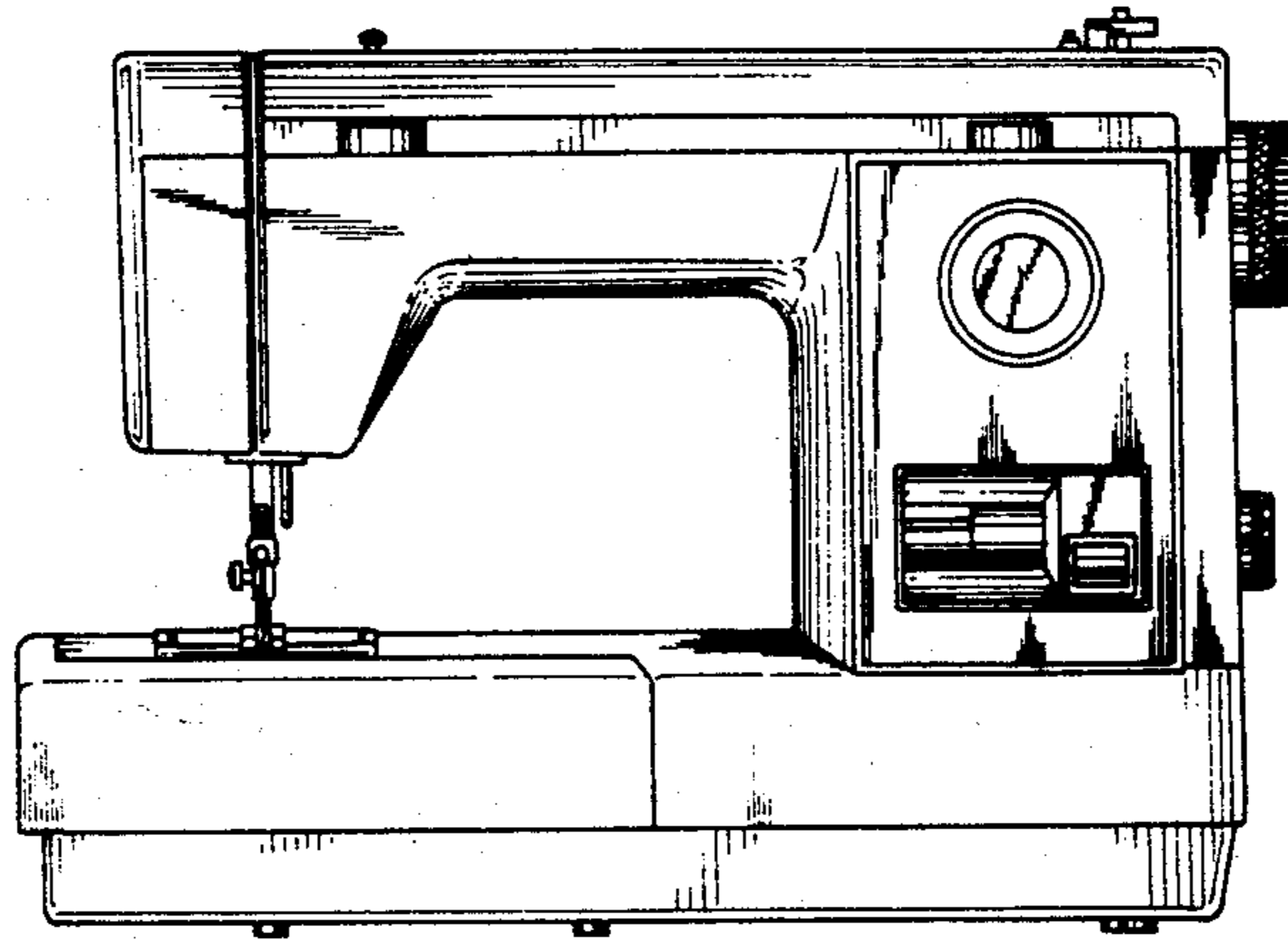


FIG. 4

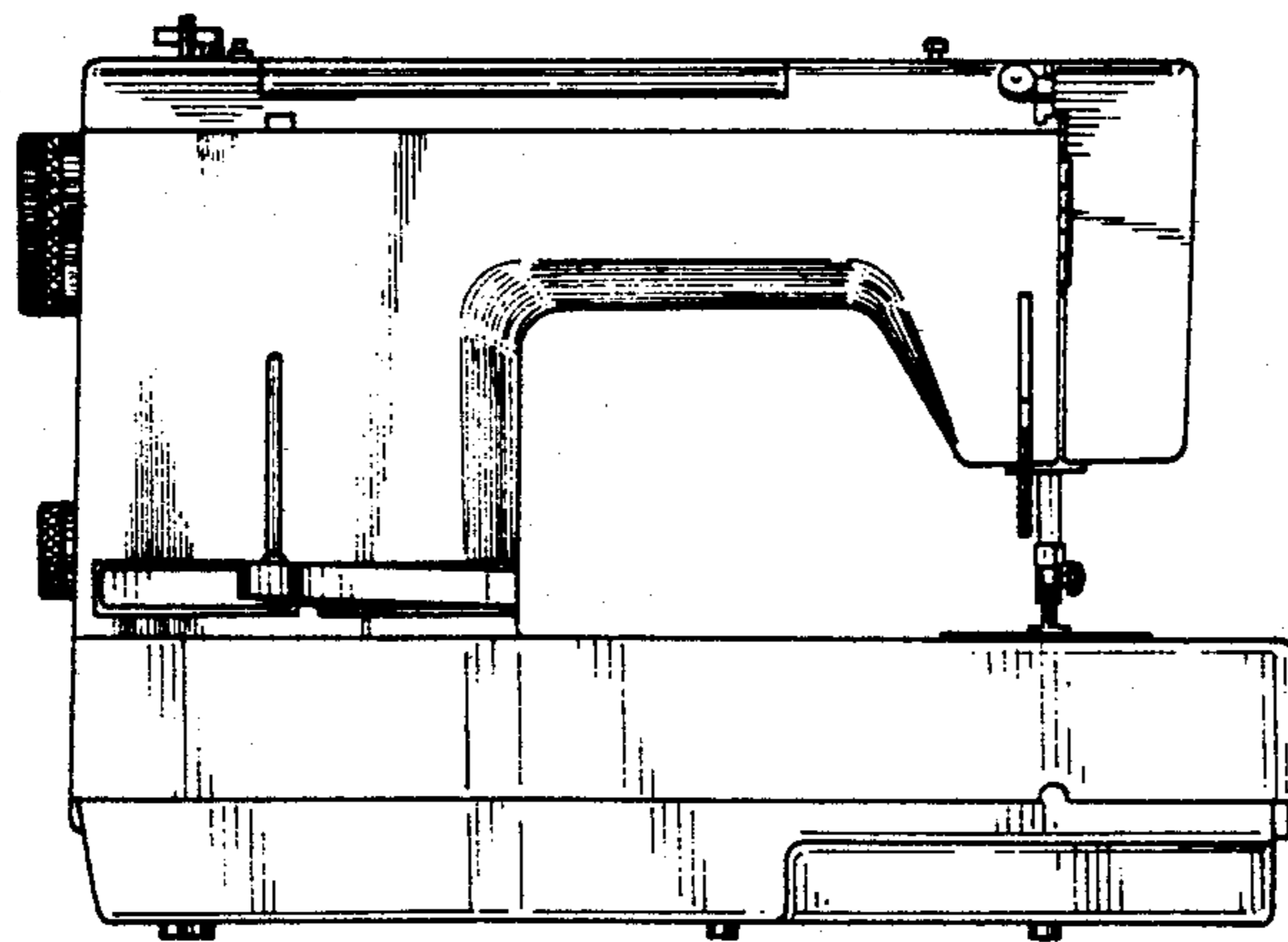


FIG. 7

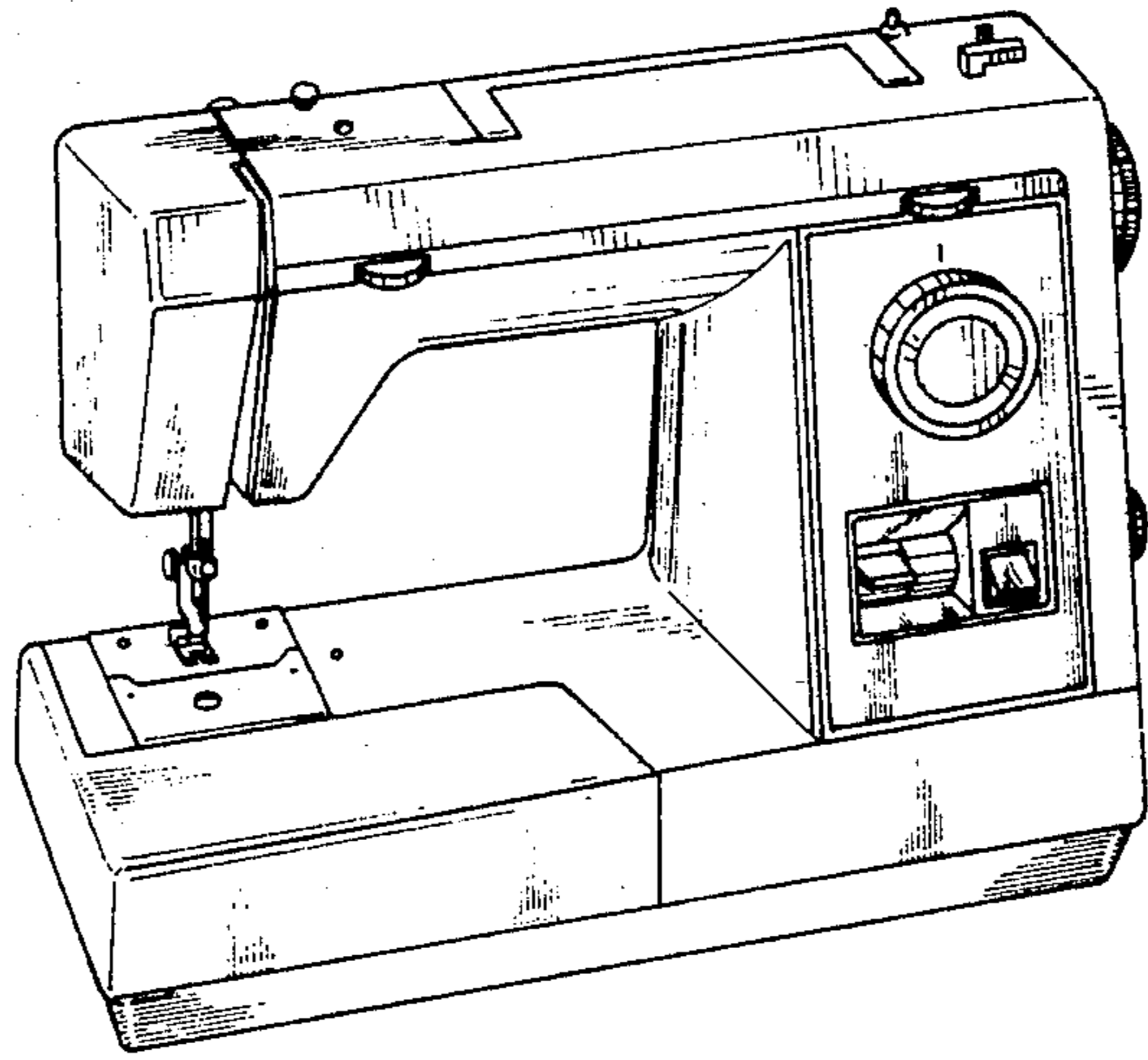


FIG. 9

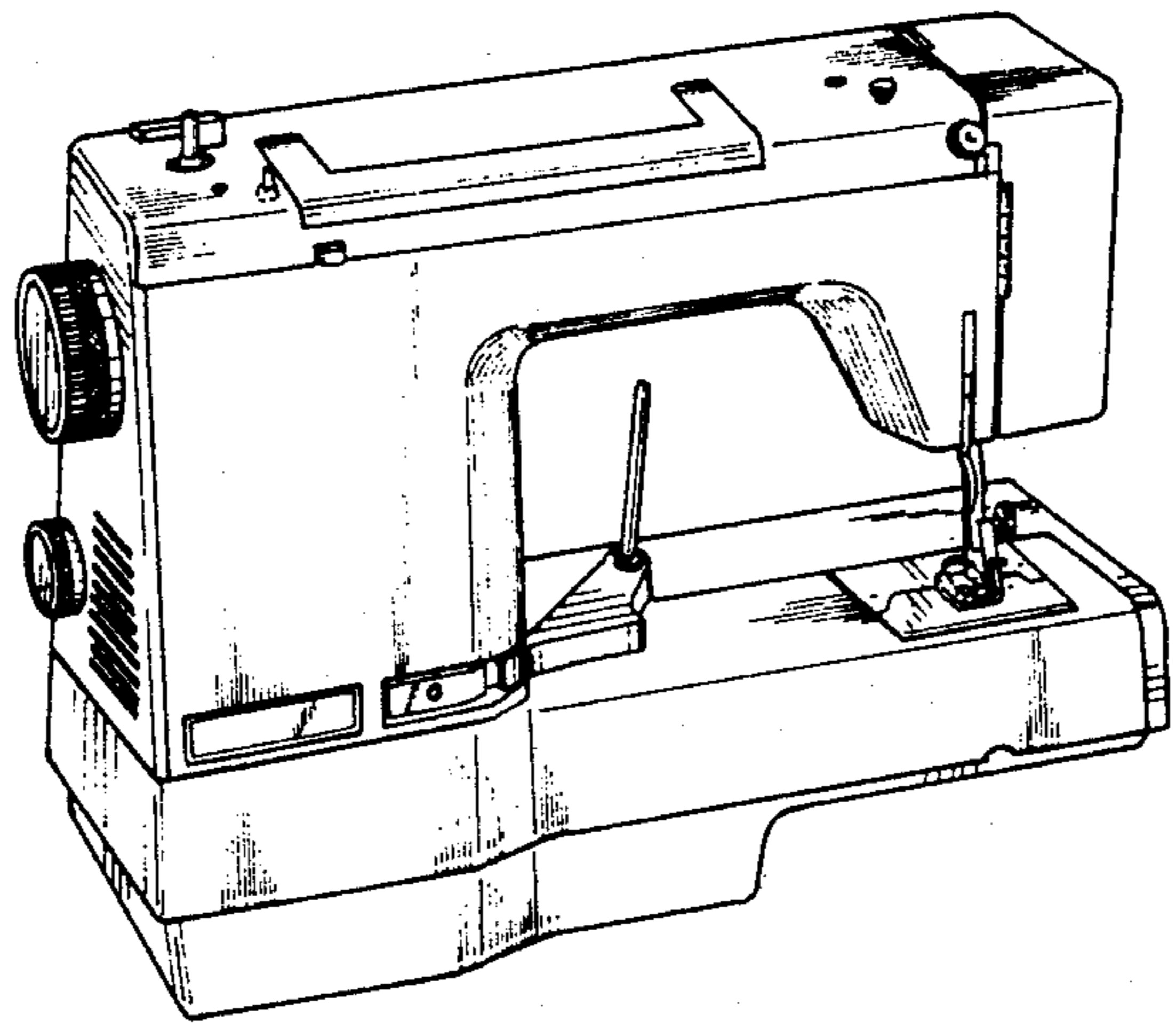


FIG. 8

