

[54] PERSONAL COMPUTER KEYBOARD TEMPLATE FOR DISPLAYING OPERATING INSTRUCTIONS FOR SOFTWARE PROGRAM

[75] Inventor: Thorvald E. Duffin, II, Reston, Va.

[73] Assignee: TDA, Inc., Redmond, Wash.

[*] Notice: The portion of the term of this patent subsequent to Sep. 1, 2001 has been disclaimed.

[**] Term: 14 Years

[21] Appl. No.: 739,639

[22] Filed: May 31, 1985

[52] U.S. Cl. D14/114

[58] Field of Search D14/100, 106, 107, 114, D14/115; D18/1, 4, 7, 11, 12, 18, 22; D19/59; 340/365 R, 365 UL, 700, 815.06; 40/2, 360; 400/472; 434/118, 227

[56] References Cited

U.S. PATENT DOCUMENTS

- 4,075,465 2/1978 Funk et al. 235/145 R
- 4,274,081 6/1981 Nomura et al. 340/365 UL
- 4,479,317 10/1984 Hanna 40/2 R
- 4,512,092 4/1985 McLaughlin et al. ... 340/365 UL X

FOREIGN PATENT DOCUMENTS

- 0056228 4/1980 Japan 340/365 R

OTHER PUBLICATIONS

BYTE, 5-1983, p. 251, Keyboard Template.

Computer Accessories & Peripherals (CAP), 12-1983, p. 82, PC-Documnt Keyboard Overlay.

Devoke Data Products catalog, Q, 1-1983, p. 6, Menu-Minder Operator Guide.

IBM Technical Disclosure Bulletin, vol. 24, No. 10, 3-1982, p. 4905, Keyboard Template w. Container.

Primary Examiner—Susan J. Lucas

Attorney, Agent, or Firm—John L. Hummer

[57] CLAIM

The ornamental design for a personal computer keyboard template for displaying operating instructions for software program, as shown and described.

DESCRIPTION

FIG. 1 is a front, top and left side perspective view of a personal computer keyboard template for displaying operating instructions for software program showing my new design, the book being opened, and the keyboard being shown in broken lines for illustrative purposes only;

FIG. 2 is a top plan view thereof on an enlarged scale, the book being closed;

FIG. 3 is a front elevational view thereof on an enlarged scale;

FIG. 4 is a bottom plan view thereof on an enlarged scale;

FIG. 5 is a left side elevational view thereof on an enlarged scale;

FIG. 6 is a right side elevational view thereof on an enlarged scale.

The little book, which is an integral part of the personal computer keyboard template, is securely attached to the base of the template.

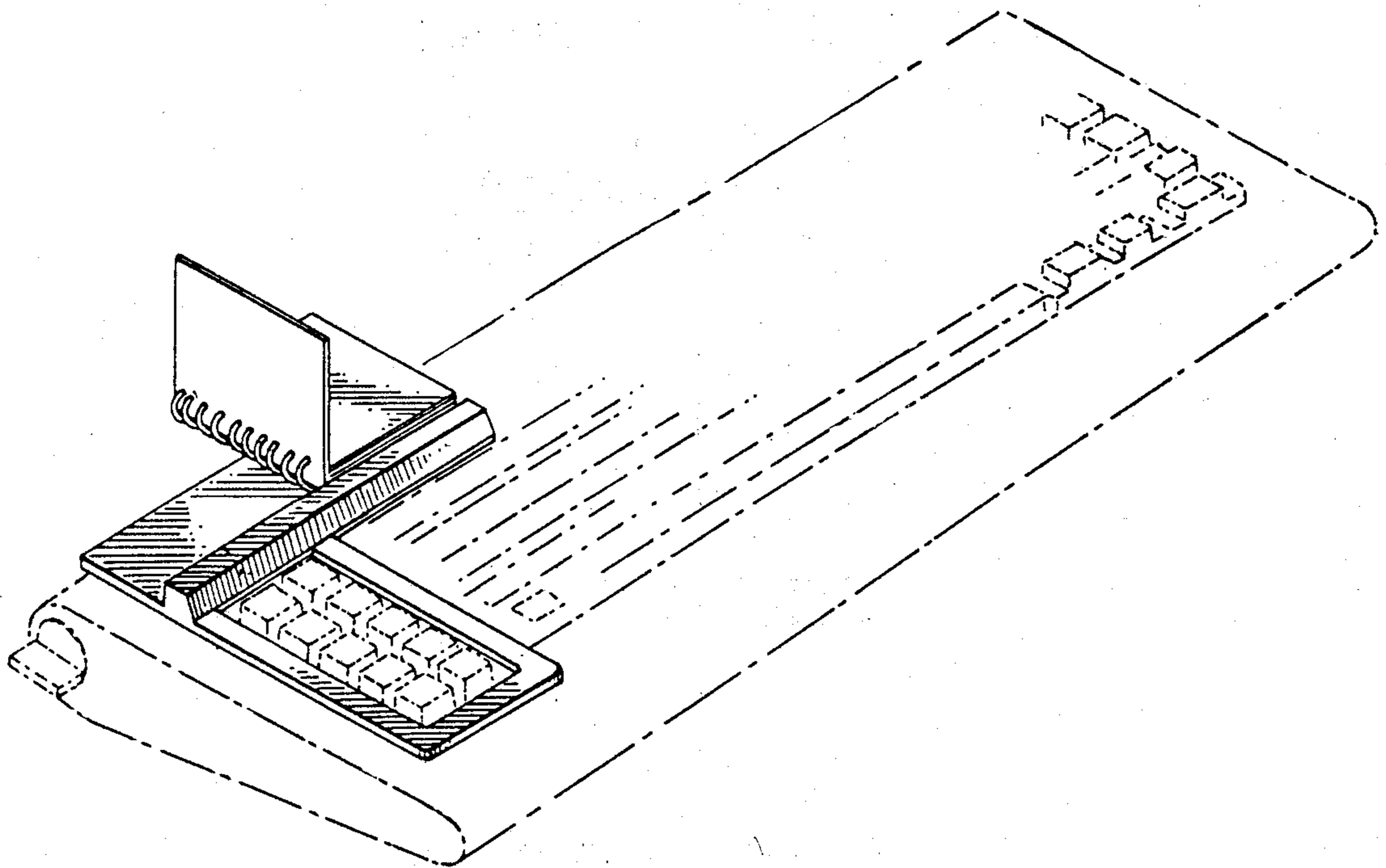


FIG. 1.

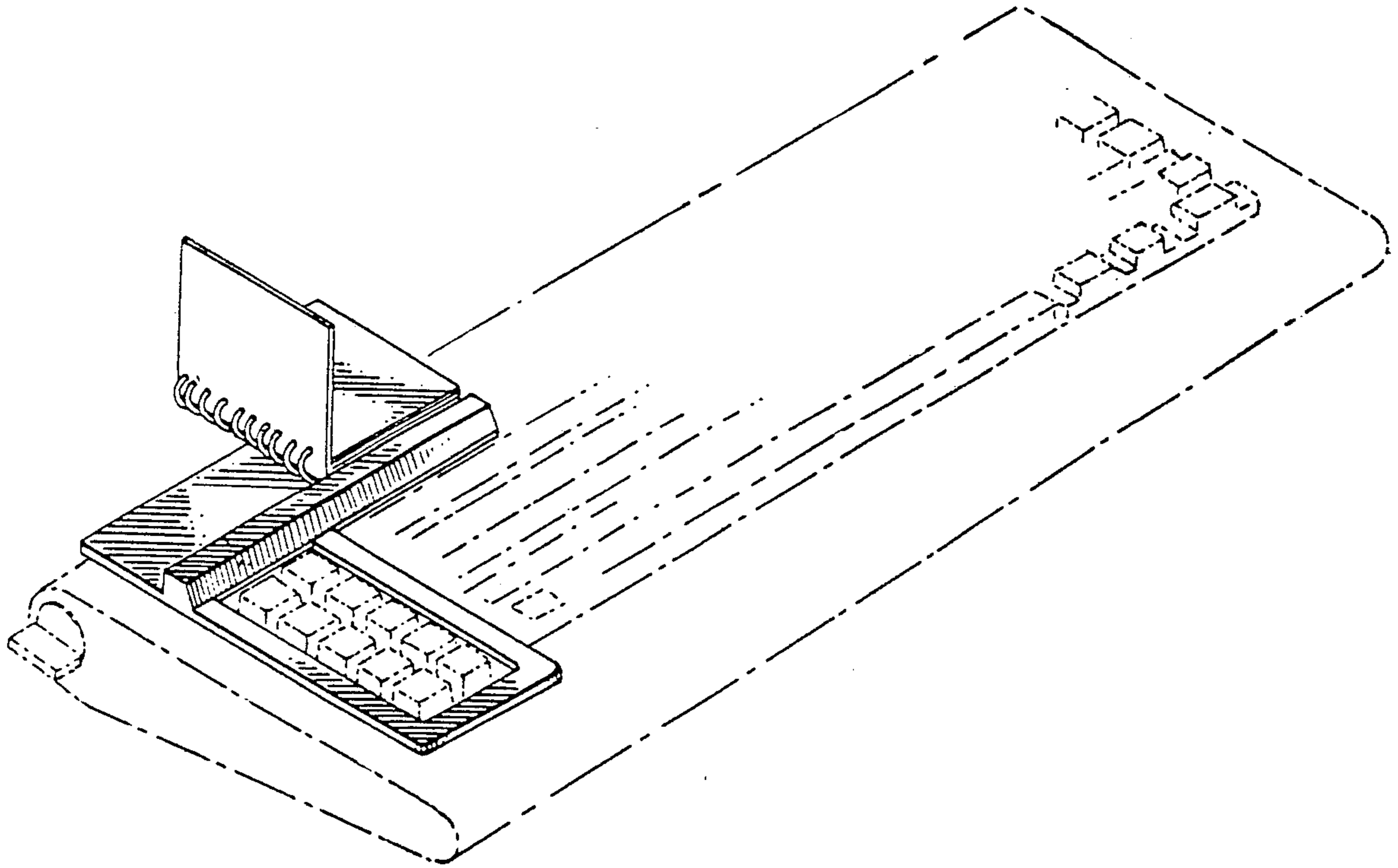


FIG. 2.

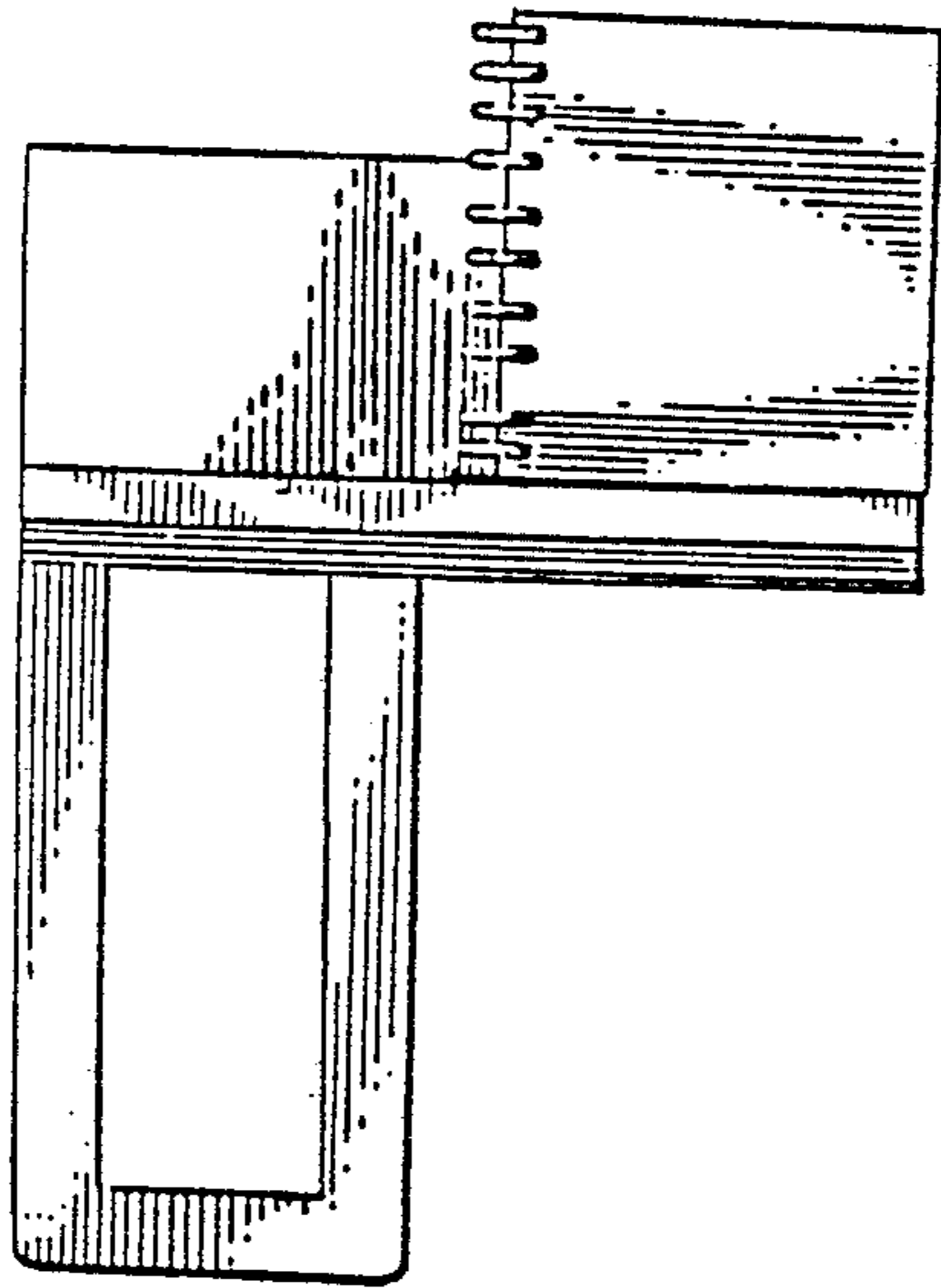


FIG. 3.



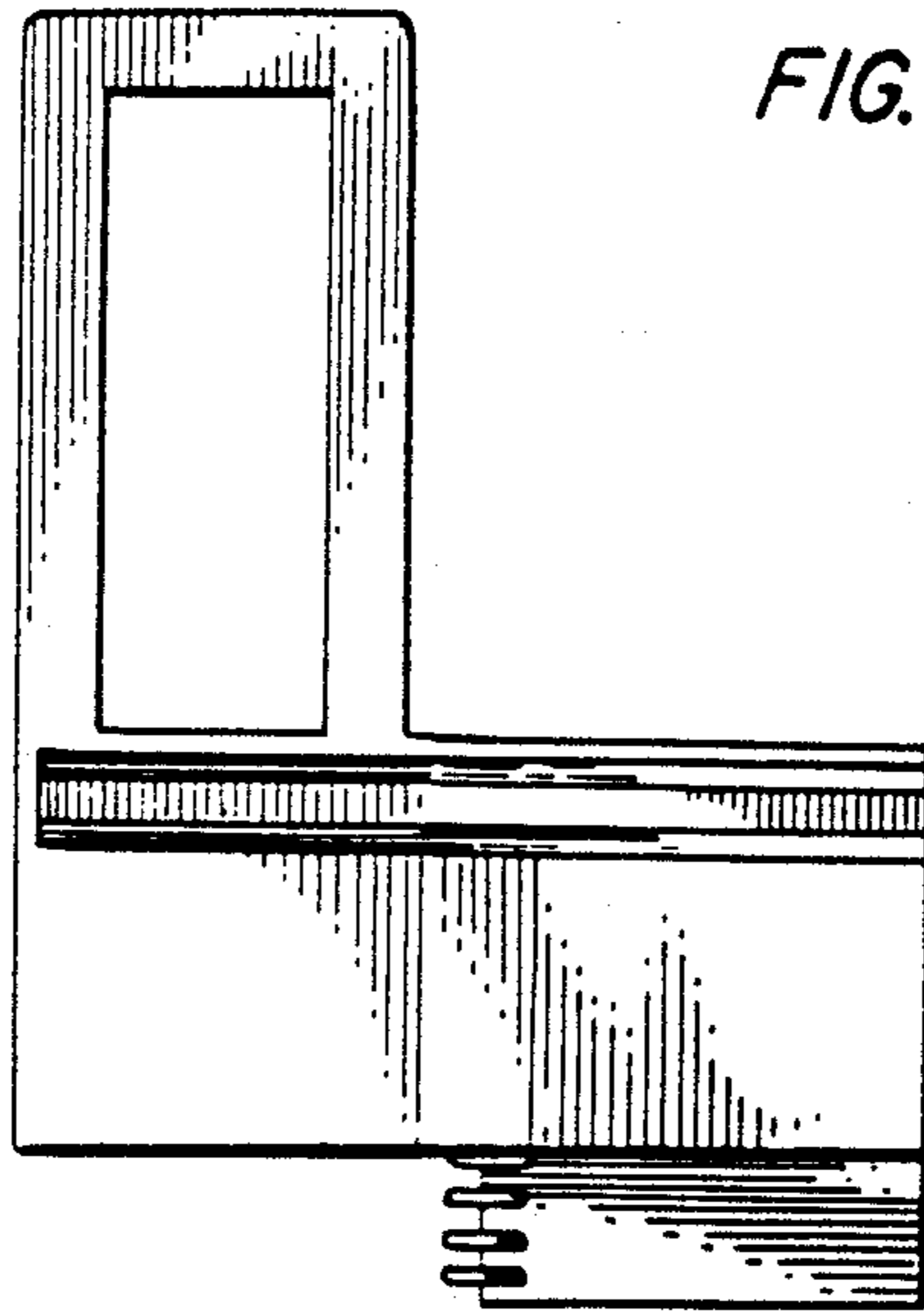


FIG. 5.



FIG. 6.

