

[54] **PERSONAL COMPUTER KEYBOARD
TEMPLATE FOR DISPLAYING OPERATING
INSTRUCTIONS FOR SOFTWARE
PROGRAM**

[75] **Inventor: Thorvald E. Duffin, II, Reston, Va.**

[73] **Assignee: TDA, Inc., Redmond, Wash.**

[*] **Notice:** The portion of the term of this patent subsequent to Sep. 1, 2001 has been disclaimed.

[**] **Term: 14 Years**

[21] **Appl. No.: 739,636**

[22] **Filed: May 31, 1985**

[52] **U.S. Cl. D14/114**

[58] **Field of Search D14/100, 106, 107, 114,
D14/115; D18/1, 4, 7, 11, 12, 18, 22; D19/59;
340/365 R, 365 UL, 700, 815.06; 40/360, 2;
400/472; 434/118, 227**

[56] **References Cited**

U.S. PATENT DOCUMENTS

4,075,465	2/1978	Funk et al.	235/145 R
4,274,081	6/1981	Nomura et al.	340/365 UL
4,479,317	10/1984	Hanna	40/2 R
4,512,092	4/1985	McLaughlin et al. ...	340/365 UL X

OTHER PUBLICATIONS

BYTE, 5-1983, p. 251, Keyboard Template.
Computer Accessories & Peripherals (CAP), 12-1983,
p. 82, PC-Documate Keyboard Overlay.
IBM Technical Disclosure Bulletin, vol. 24, No. 10,
3-1982, p. 4905, Keyboard Templates w. Container.

Primary Examiner—Susan J. Lucas
Attorney, Agent, or Firm—John L. Hummer

[57] **CLAIM**

The ornamental design for personal computer keyboard template for displaying operating instructions for software program, as shown and described.

DESCRIPTION

FIG. 1 is a front, top and left side perspective view of a personal computer keyboard template for displaying operating instructions for software program showing my new design, the keyboard being shown in broken lines for illustrative purposes only;
FIG. 2 is a top plan view thereof on an enlarged scale;
FIG. 3 is a front elevational view thereof on an enlarged scale;
FIG. 4 is a bottom plan view thereof on an enlarged scale;
FIG. 5 is a left side elevational view thereof on an enlarged scale;
FIG. 6 is a right side elevational view thereof on an enlarged scale.

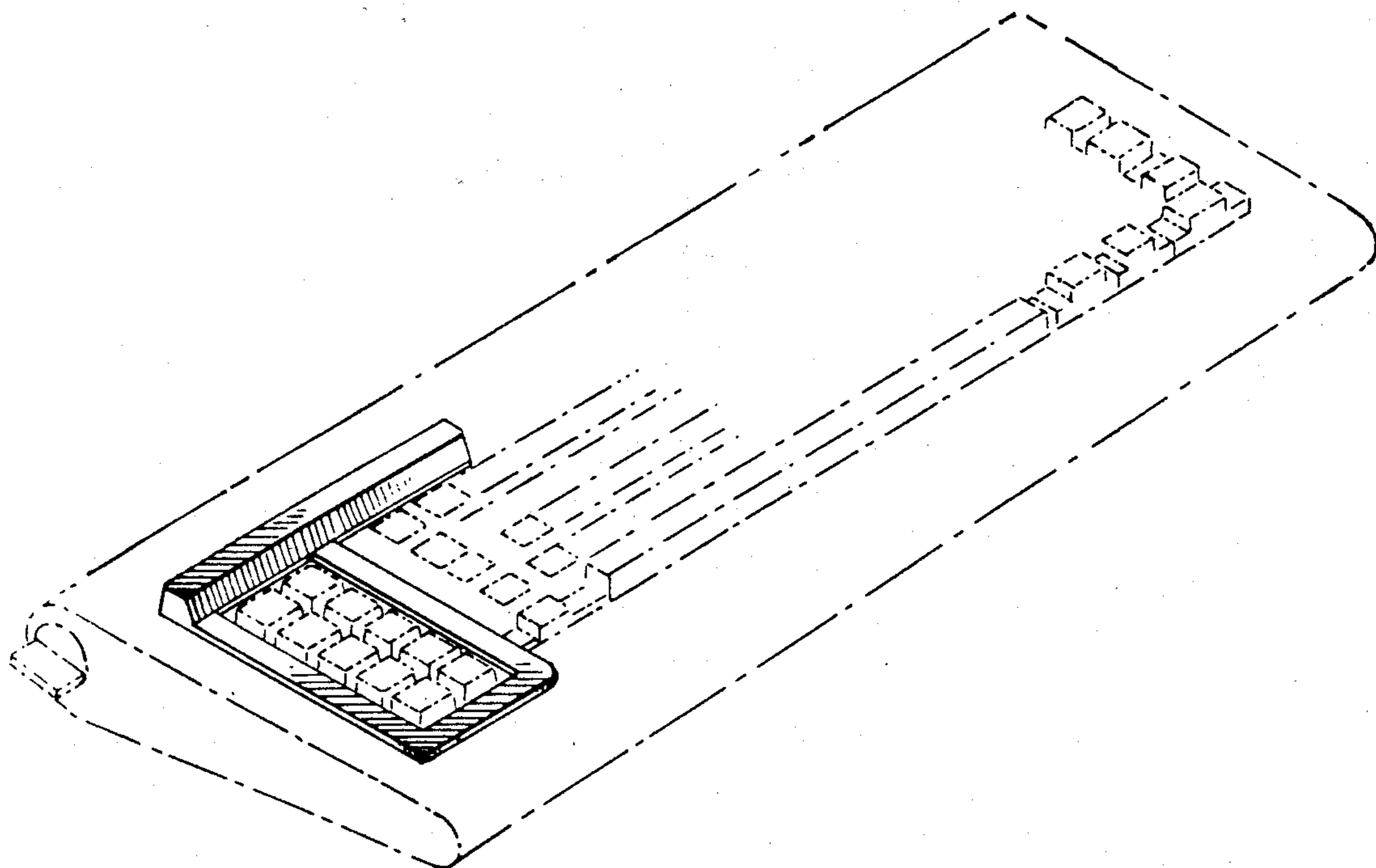


FIG. 1.

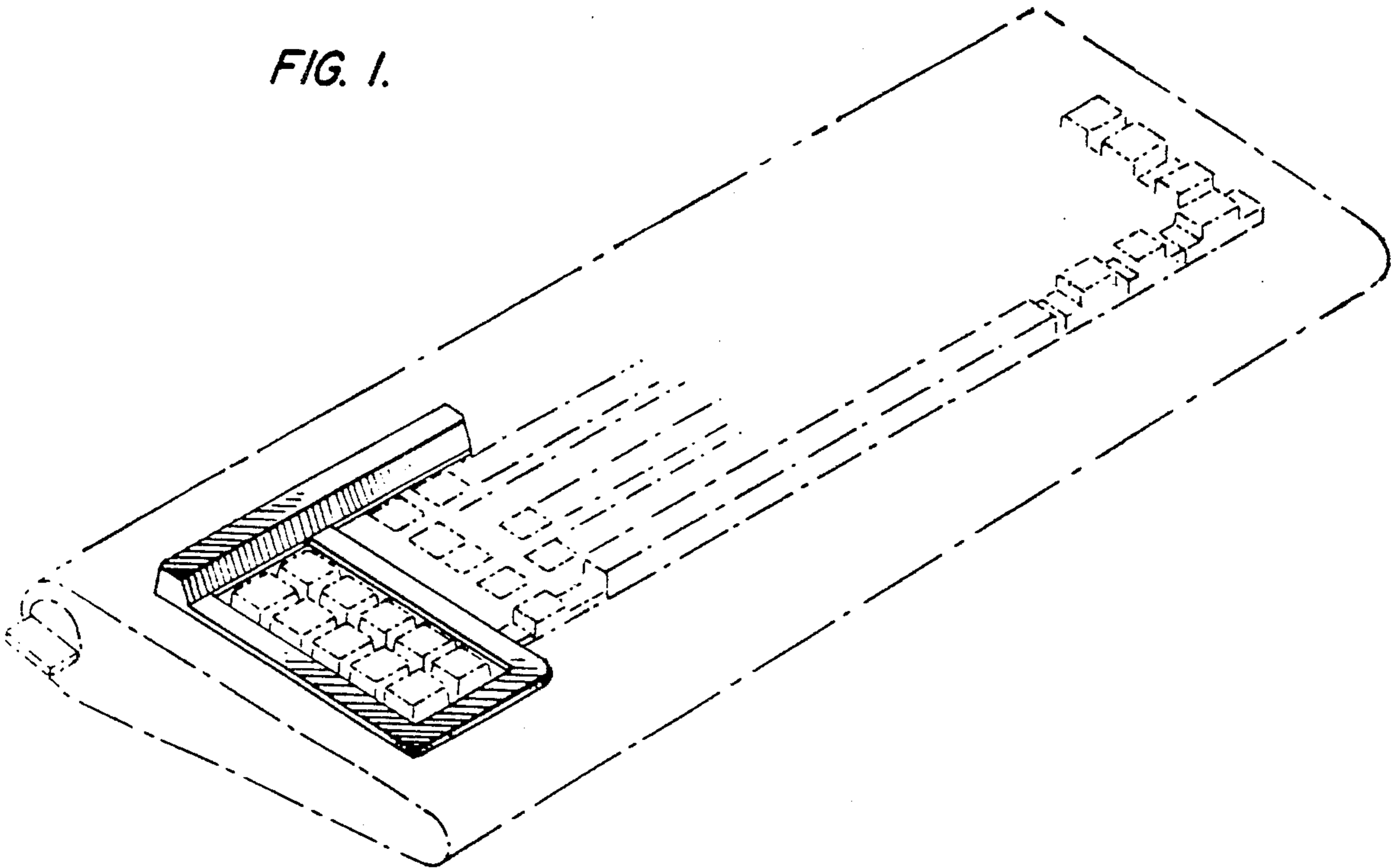


FIG. 2.

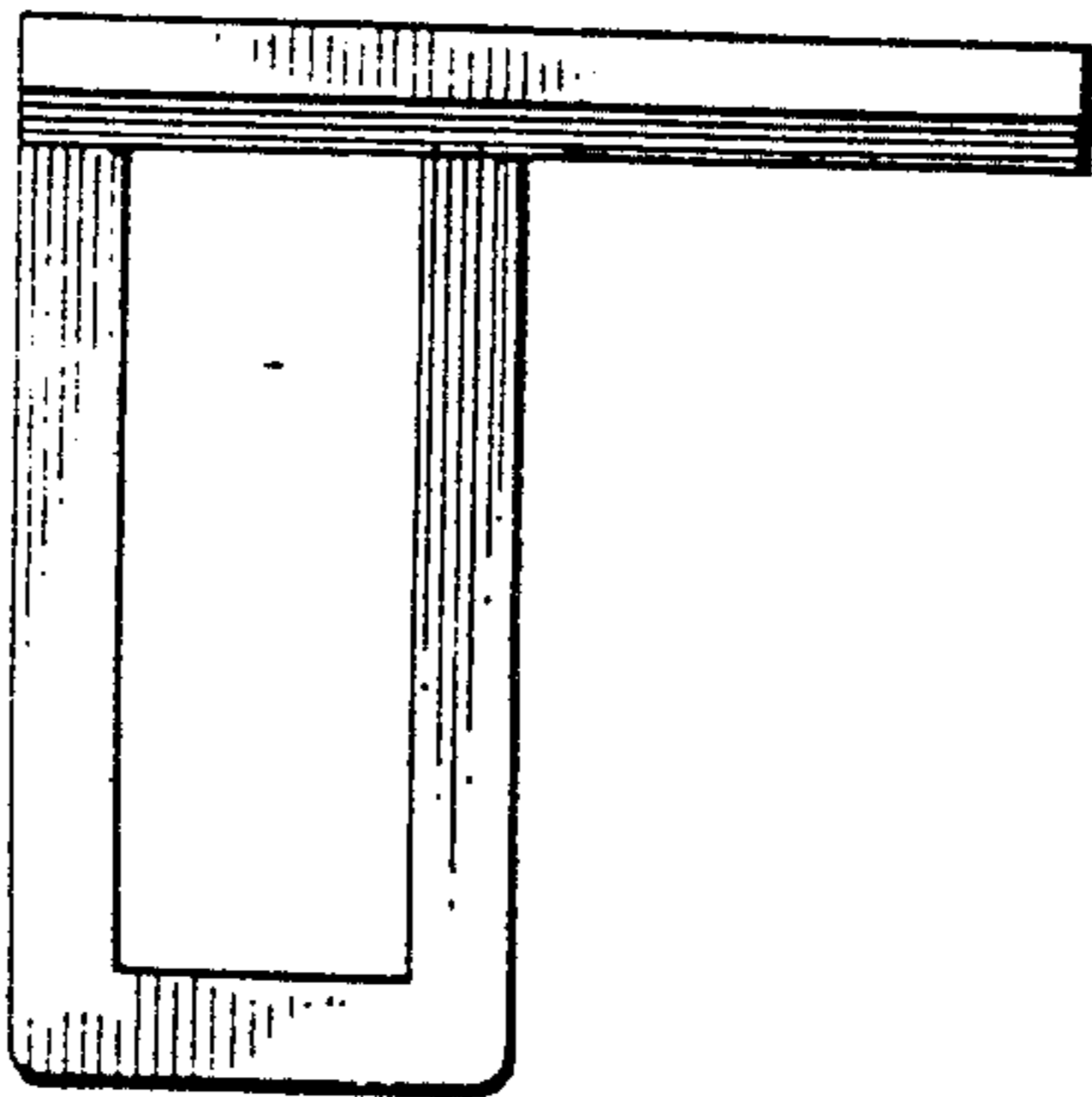


FIG. 3.



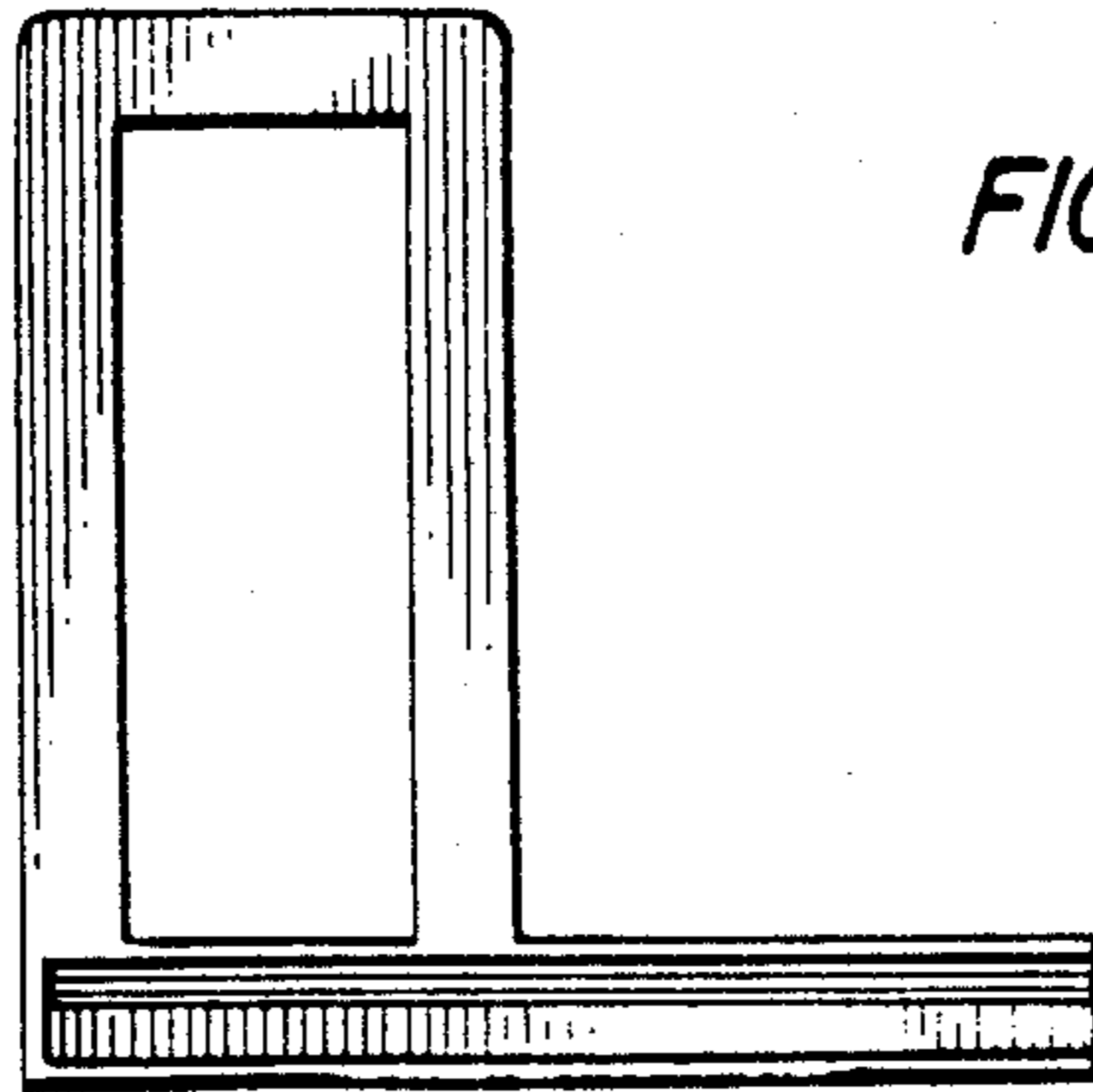


FIG. 4.

FIG. 5.



FIG. 6.

