

[54] PERSONAL COMPUTER KEYBOARD TEMPLATE FOR DISPLAYING OPERATING INSTRUCTIONS FOR SOFTWARE PROGRAM

[75] Inventor: Thorvald E. Duffin, II, Reston, Va.

[73] Assignee: TDA, Inc., Redmond, Wash.

[*] Notice: The portion of the term of this patent subsequent to Sep. 22, 2001 has been disclaimed.

[**] Term: 14 Years

[21] Appl. No.: 739,634

[22] Filed: May 31, 1985

[52] U.S. Cl. D14/114

[58] Field of Search D14/100, 106, 107, 114, D14/115; D18/1, 4, 7, 11, 12, 18, 22; D19/59; 340/365 R, 365 UL, 700, 815.06; 40/2, 360; 400/472; 434/118, 227

[56] References Cited

U.S. PATENT DOCUMENTS

4,075,465	2/1978	Funk et al.	235/145 R
4,274,081	6/1981	Nomura et al.	340/365 UL
4,479,317	10/1984	Hanna	40/2 R
4,512,092	4/1985	McLaughlin et al.	340/365 UL

OTHER PUBLICATIONS

BYTE, 5-1983, p. 251, Keyboard Template. Computer Accessories & Peripherals (CAP) 12-1983, p. 82, PC-Documate Keyboard Overlay.

IBM Technical Disclosure Bulletin, vol. 24, No. 10, 3-1982, p. 4905, Keyboard Templates w. Container.

Primary Examiner—Susan J. Lucas

Attorney, Agent, or Firm—John L. Hummer

[57] CLAIM

The ornamental design for personal computer keyboard template for displaying operating instructions for software program, as shown and described.

DESCRIPTION

FIG. 1 is a front, top and left side perspective view of a personal computer keyboard template for displaying operating instructions for software program showing my new design, the keyboard being shown in broken lines for illustrative purposes only;

FIG. 2 is a top plan view thereof on an enlarged scale; FIG. 3 is a front elevational view thereof on an enlarged scale;

FIG. 4 is a bottom plan view thereof on an enlarged scale;

FIG. 5 is a left side elevational view thereof on an enlarged scale;

FIG. 6 is a right side elevational view thereof on an enlarged scale.

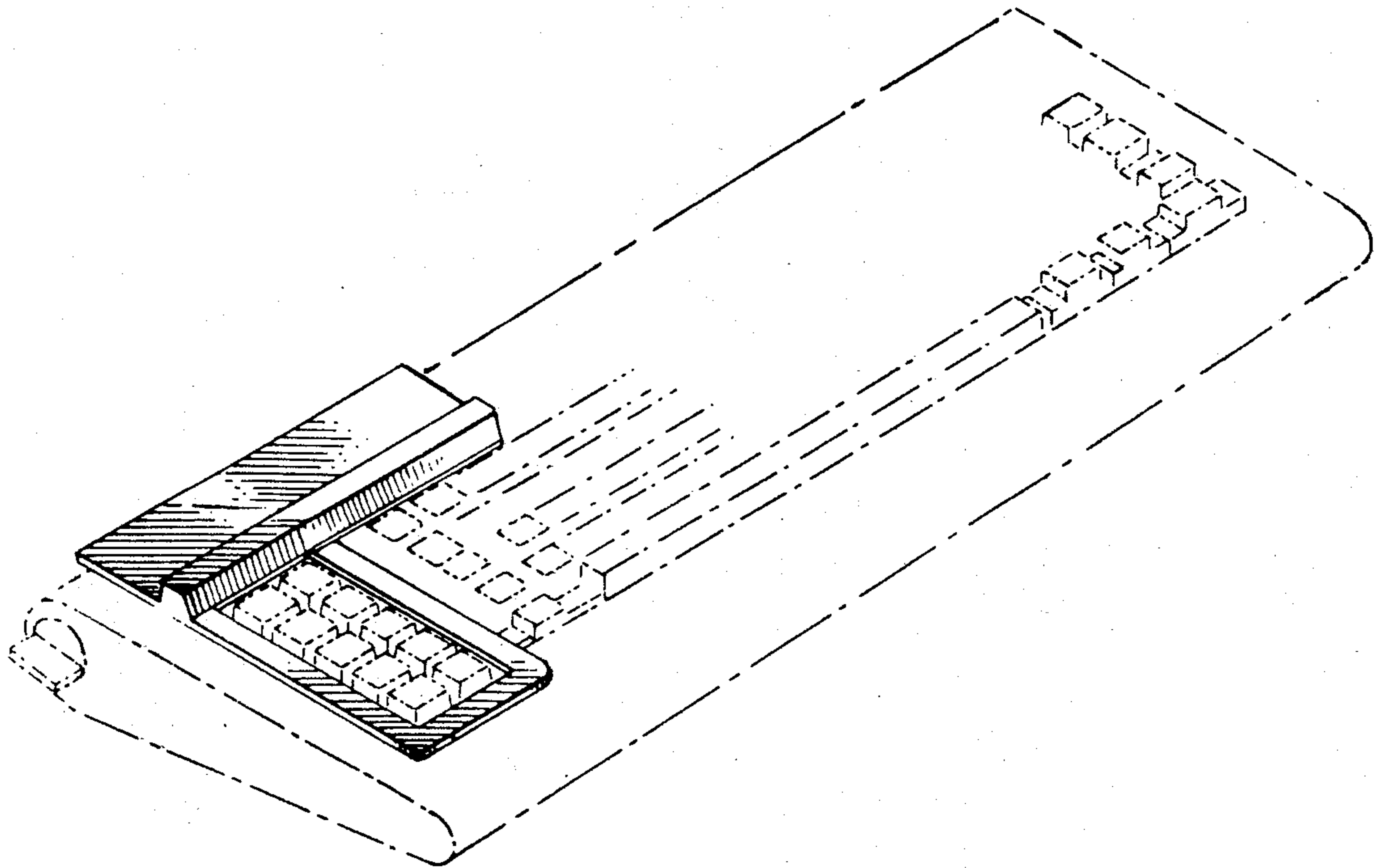


FIG. 1.

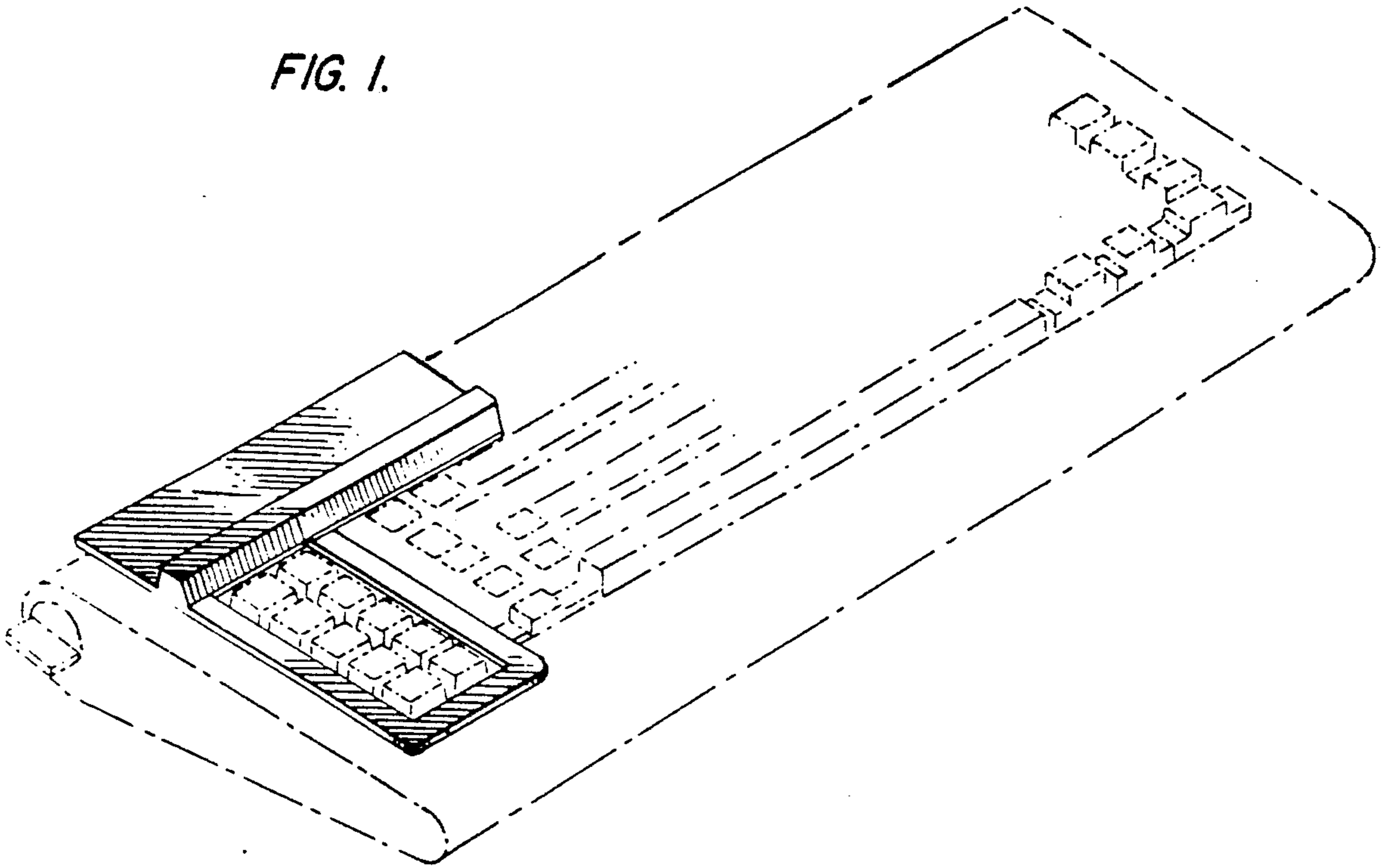


FIG. 2.

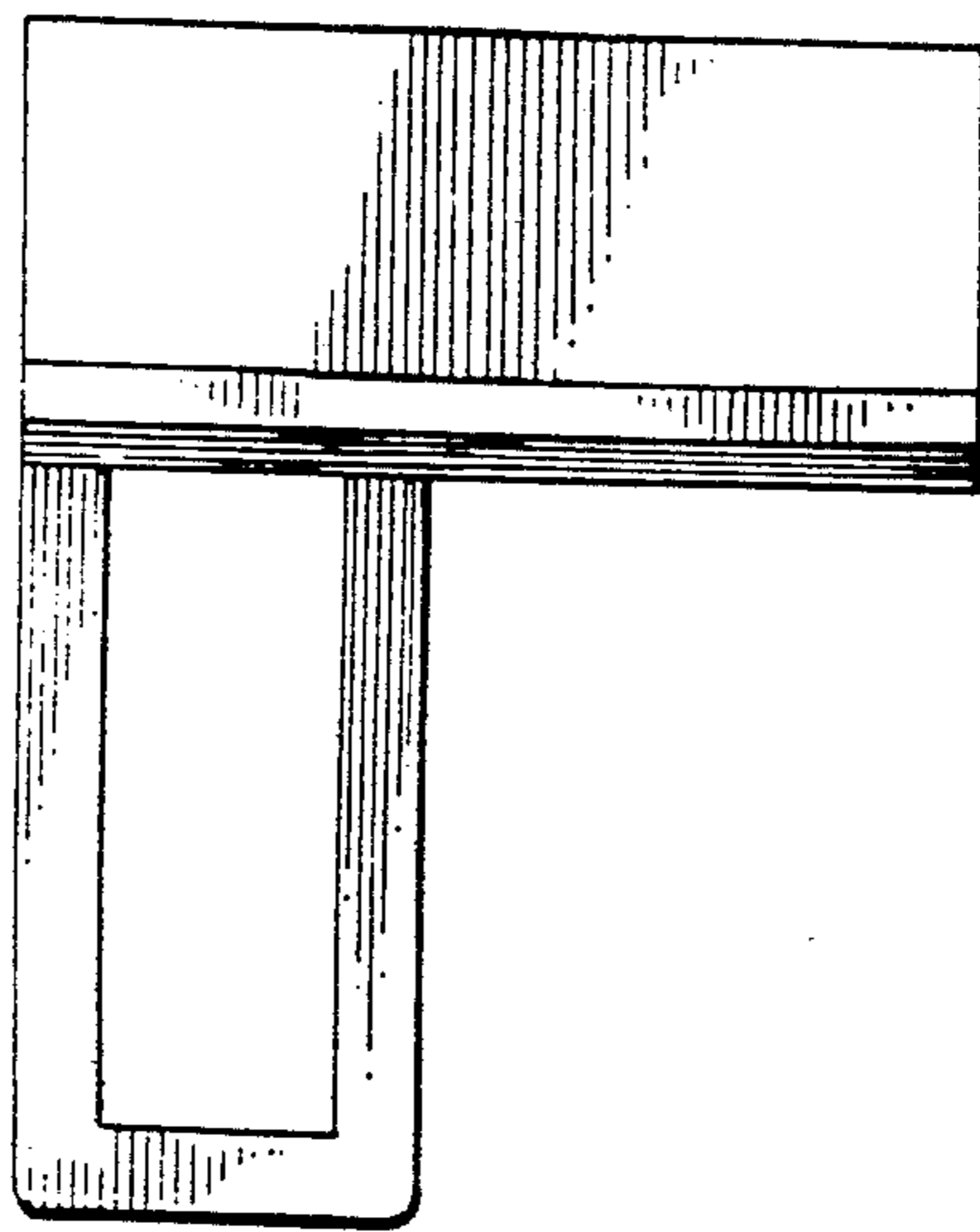
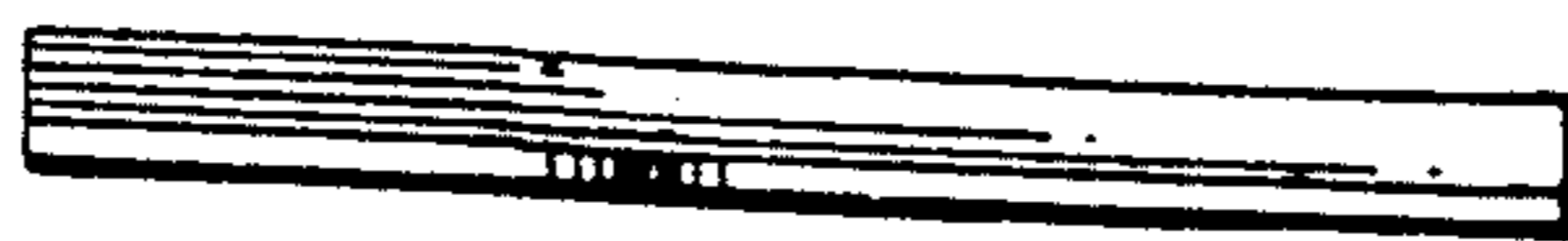


FIG. 3.



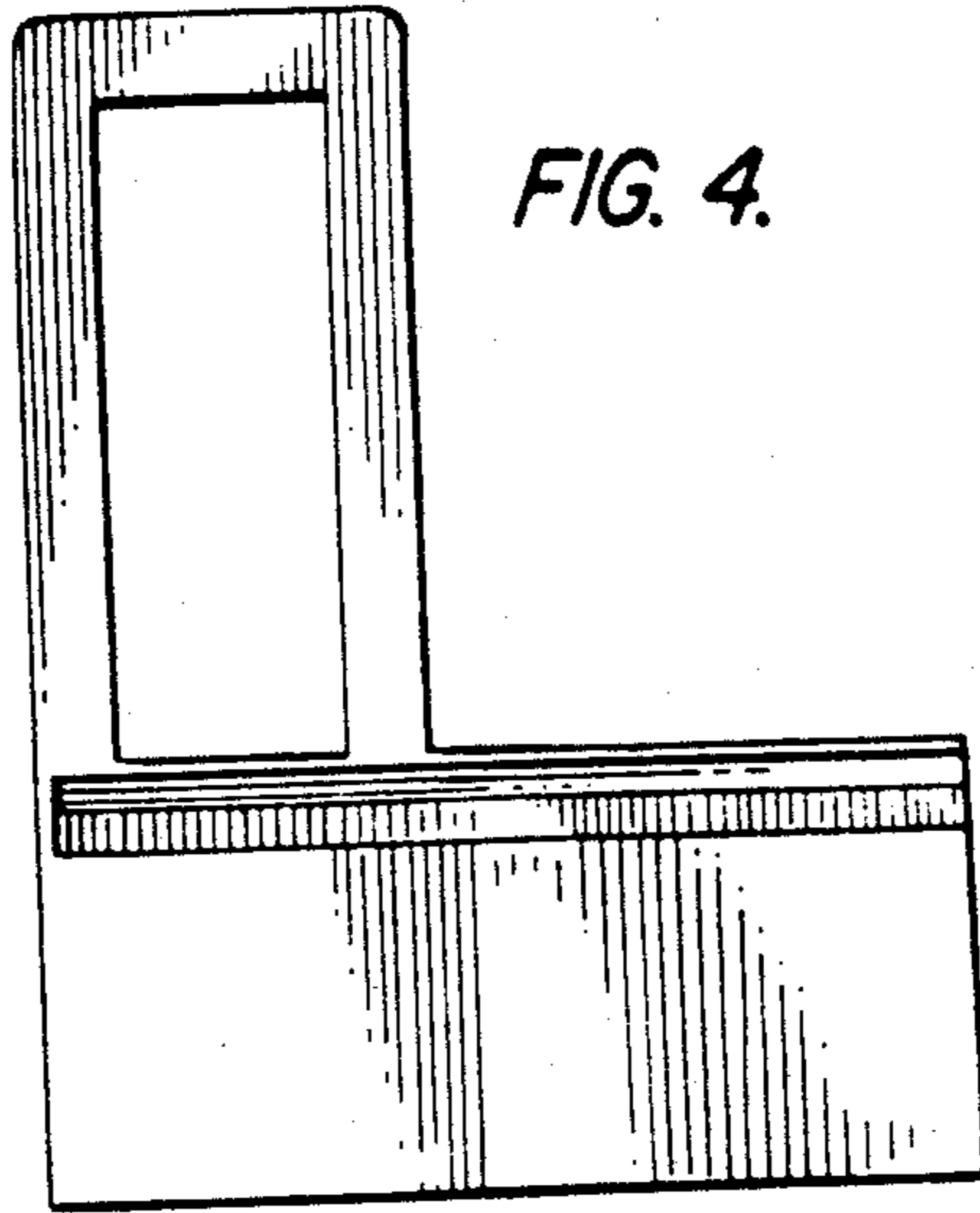


FIG. 5.

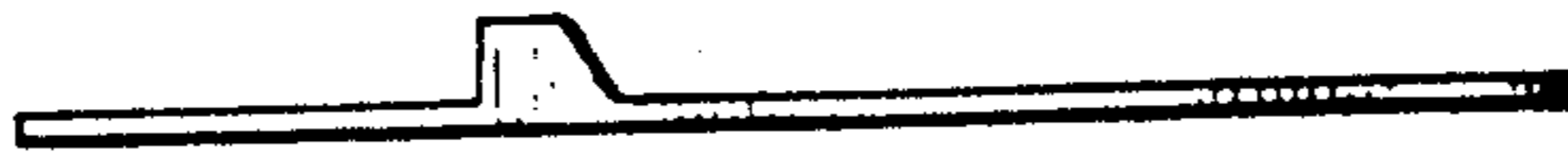


FIG. 6.

