

[54] SPEAKER

[75] Inventor: Hideaki Ishizaki, Tokyo, Japan

[73] Assignee: Pioneer Electronic Corporation, Tokyo, Japan

[\*\*] Term: 14 Years

[21] Appl. No.: 734,223

[22] Filed: May 15, 1985

[30] Foreign Application Priority Data

Dec. 21, 1984 [JP] Japan ..... 59-52604  
 [52] U.S. Cl. .... D14/30; D14/34  
 [58] Field of Search ..... D14/30, 31, 32, 33,  
 D14/34, 35, 37, 38, 99; 181/148, 150, 199;  
 379/432

[56]

References Cited

U.S. PATENT DOCUMENTS

D. 254,490 3/1980 Matsubara ..... D14/30  
 D. 280,817 10/1985 Ohtsuji ..... D14/34 X  
 D. 281,068 10/1985 Katsuno ..... D14/34 X  
 D. 285,303 8/1986 van de Ven ..... D14/37 X

Primary Examiner—Bernard Ansher  
 Assistant Examiner—Theodore M. Shooman  
 Attorney, Agent, or Firm—Sughrue, Mion, Zinn,  
 Macpeak, and Seas

[57]

CLAIM

The ornamental design for a speaker, as shown.

DESCRIPTION

FIG. 1 is a front and side perspective view of a speaker showing my new design;  
 FIG. 2 is a front elevational view thereof;  
 FIG. 3 is a rear elevational view thereof;  
 FIG. 4 is a bottom plan view thereof;  
 FIG. 5 is a top plan view thereof;  
 FIG. 6 is a left side elevational view thereof; and  
 FIG. 7 is a right side elevational view thereof.

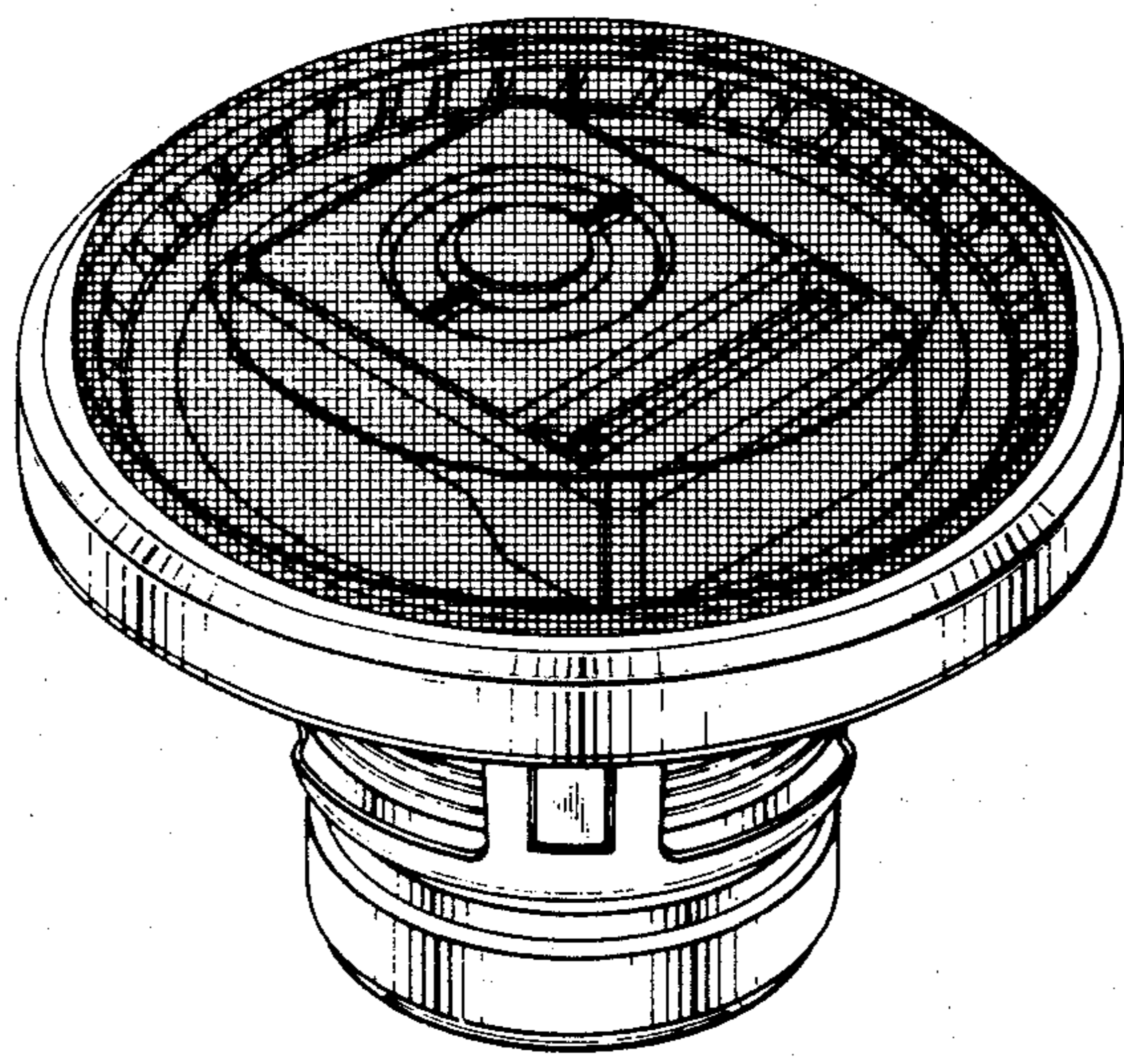


FIG. 1

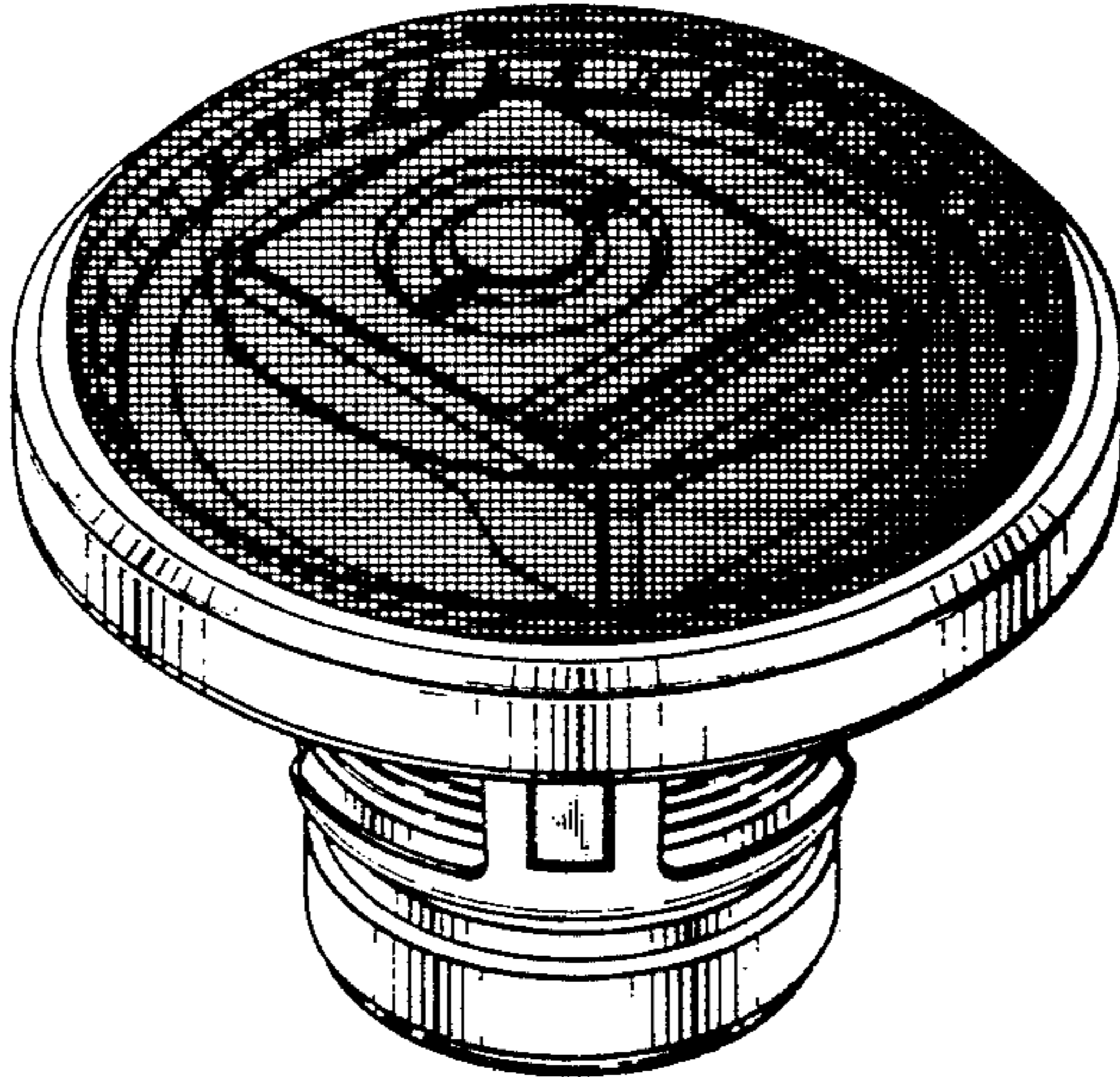


FIG. 2

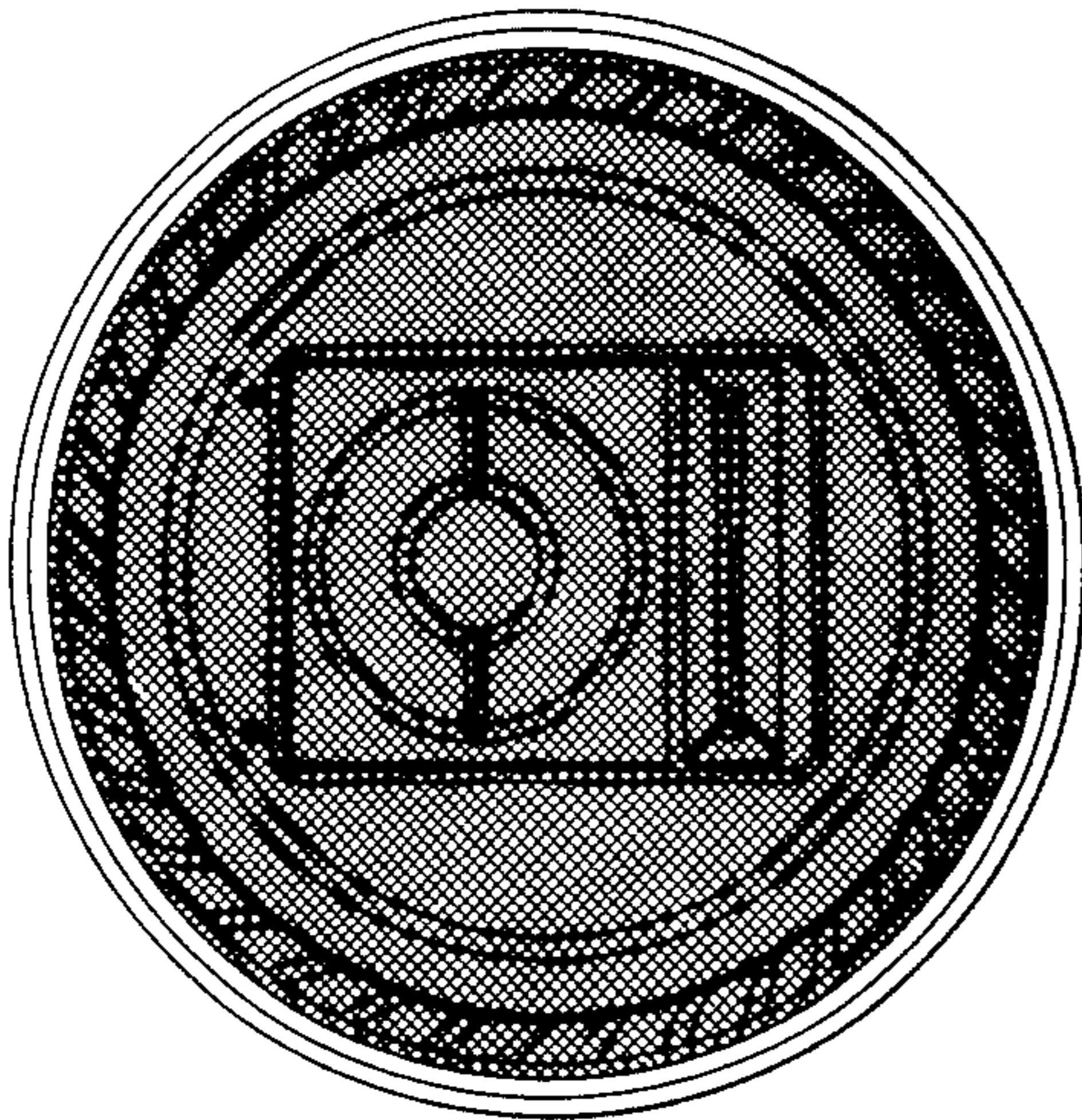


FIG. 3

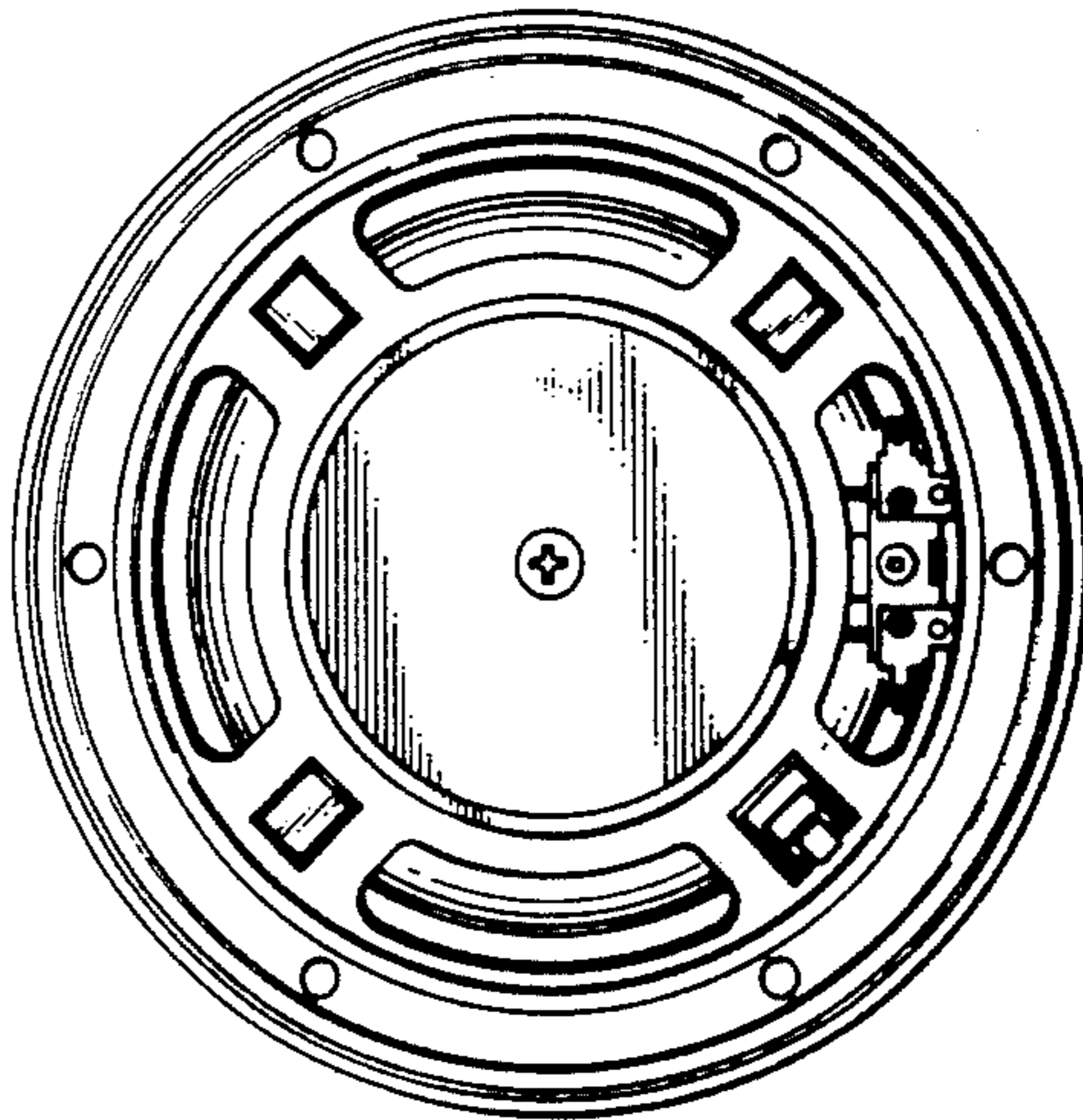


FIG. 4

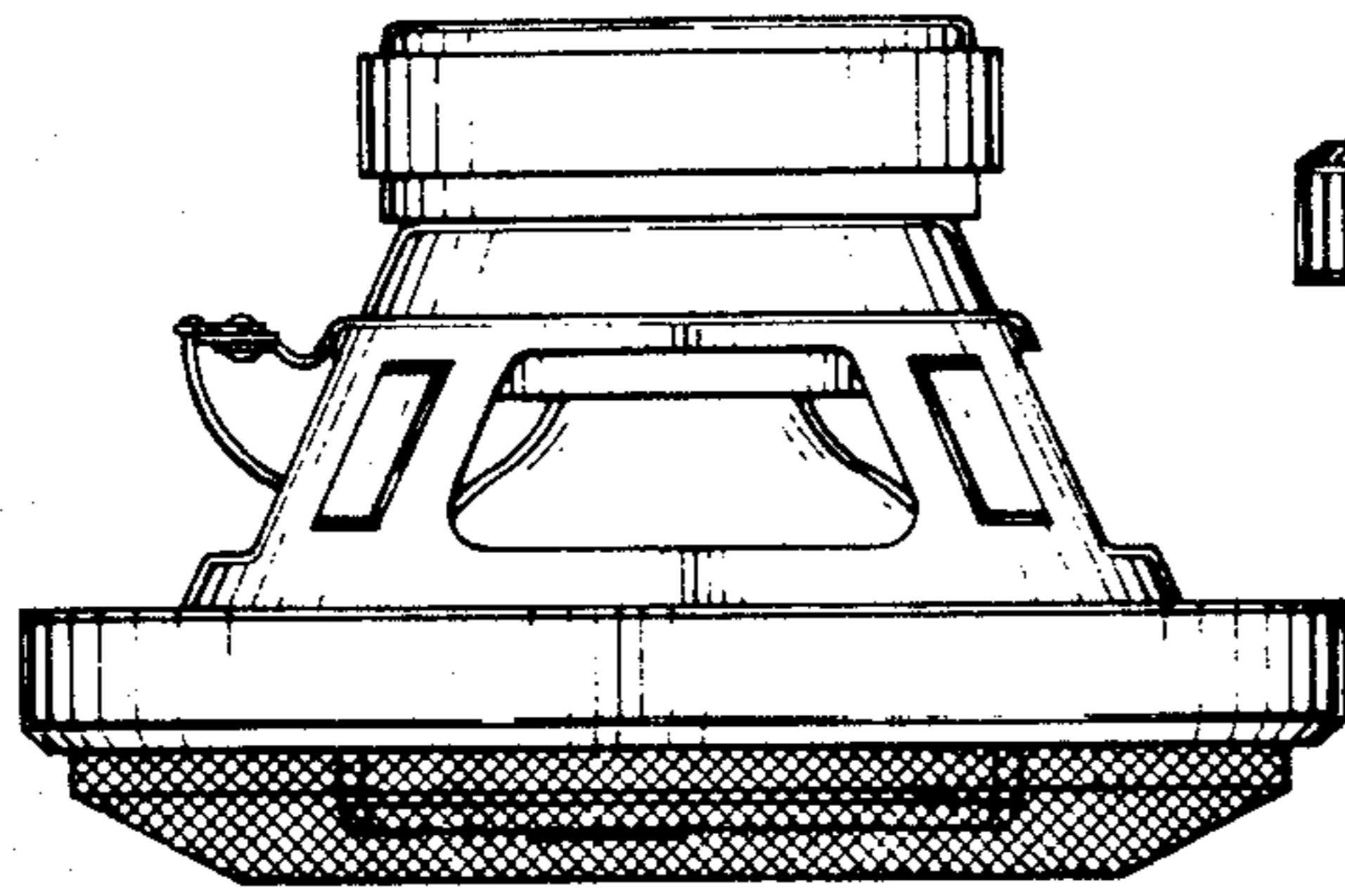


FIG. 5

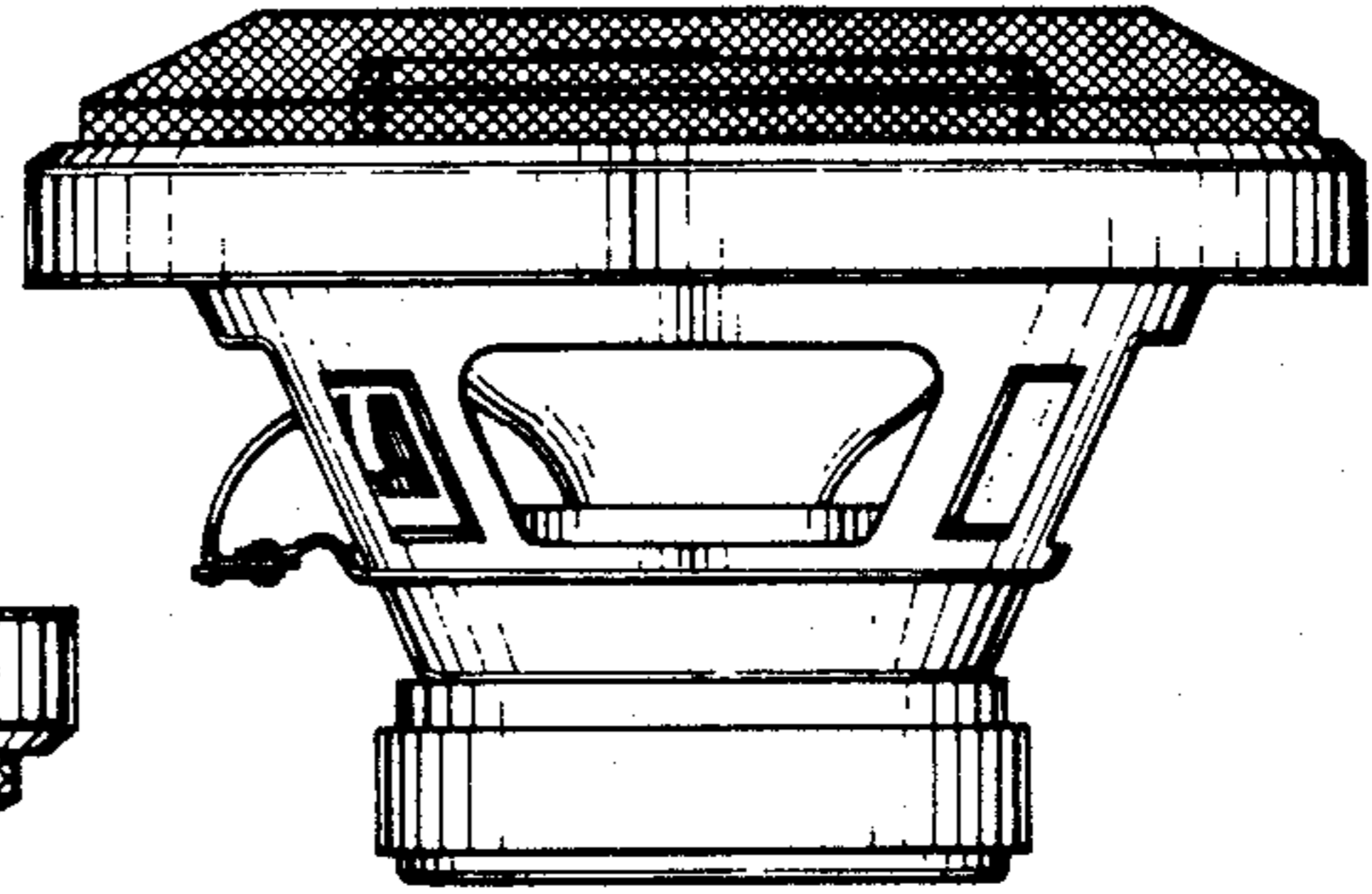


FIG. 6

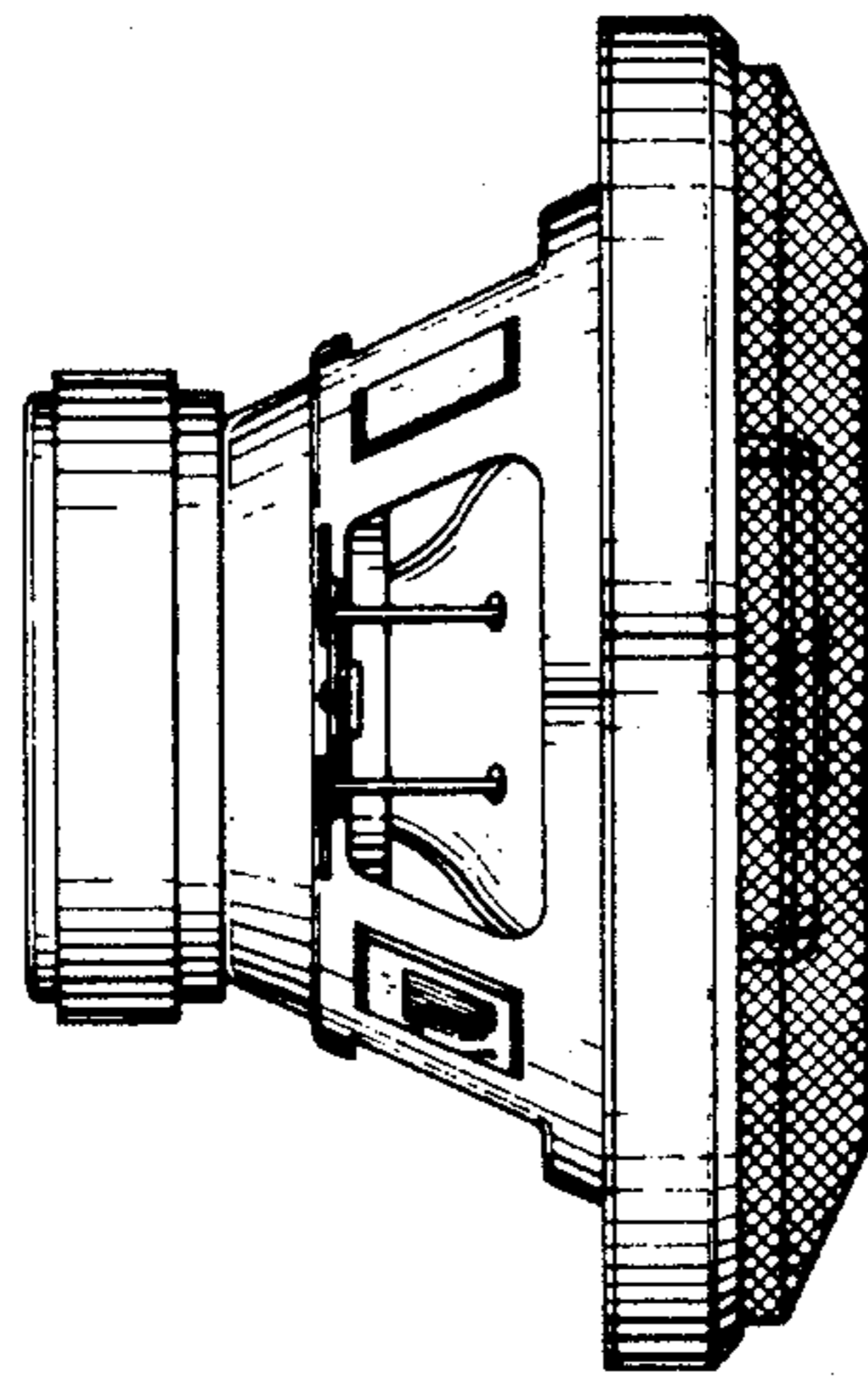


FIG. 7

