

[54] CONTAINER LID

[75] Inventor: Ernest L. Smith, Kansas City, Mo.

[73] Assignee: Sealright Co., Inc., Kansas City, Mo.

[**] Term: 14 Years

[21] Appl. No.: 708,428

[22] Filed: Mar. 5, 1985

[52] U.S. Cl. D9/447; D9/454

[58] Field of Search D9/434-499;
222/565, 480

915,742	3/1909	Comings	222/565 X
1,678,154	7/1928	Mensing et al.	222/565 X
1,863,158	6/1932	Greene	222/565
2,725,162	11/1955	Roop	222/565
3,206,060	9/1965	Turner	D9/447 X

Primary Examiner—Bernard Ansher
Assistant Examiner—Linda Titolo
Attorney, Agent, or Firm—Kokjer, Kircher, Bradley,
Wharton, Bowman & Johnson

[57] CLAIM

The ornamental design for a container lid, as shown and described.

[56] References Cited

U.S. PATENT DOCUMENTS

D. 58,909	9/1921	Hyatt	D9/447
D. 187,163	2/1960	Gunter	D9/447
689,082	12/1901	Hess et al.	222/565 X
709,292	9/1902	Adams	222/565

DESCRIPTION

FIG. 1 is a perspective view of a container lid, embodying my new design;
FIG. 2 is a side elevational view thereof;
FIG. 3 is a top plan view thereof; and
FIG. 4 is a bottom plan view thereof.

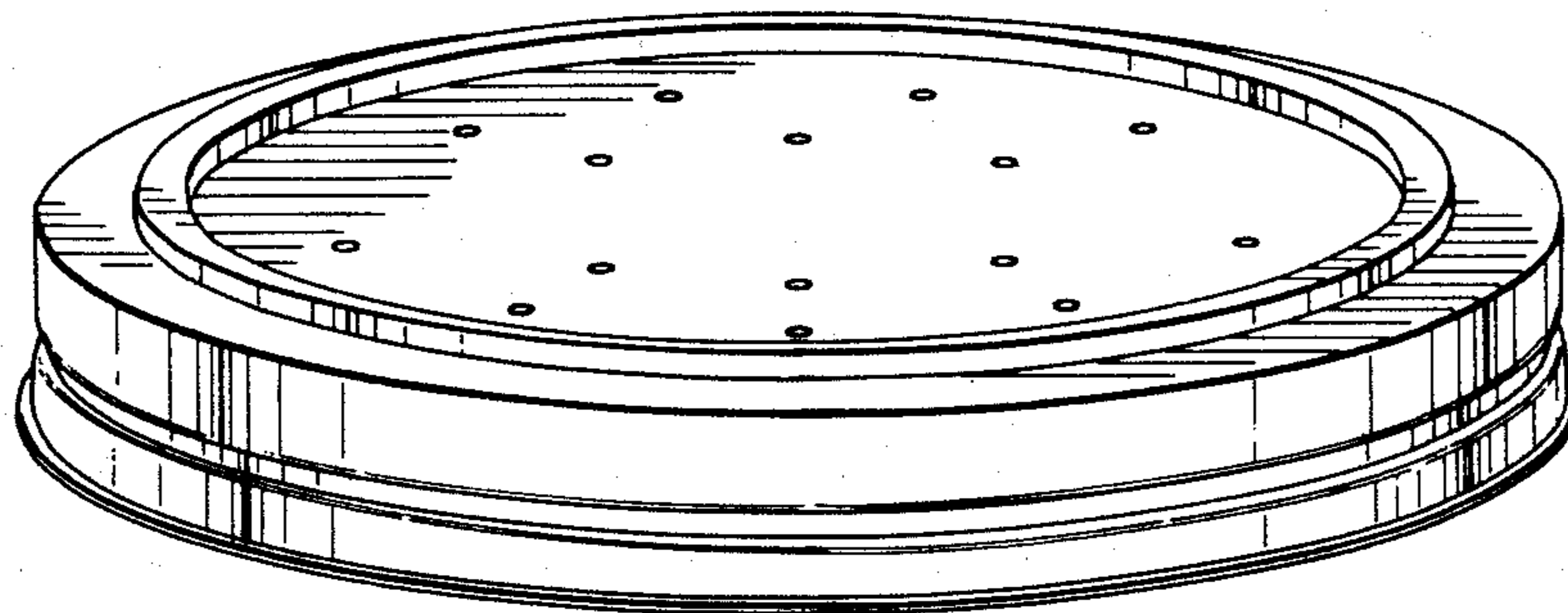


Fig. 1.

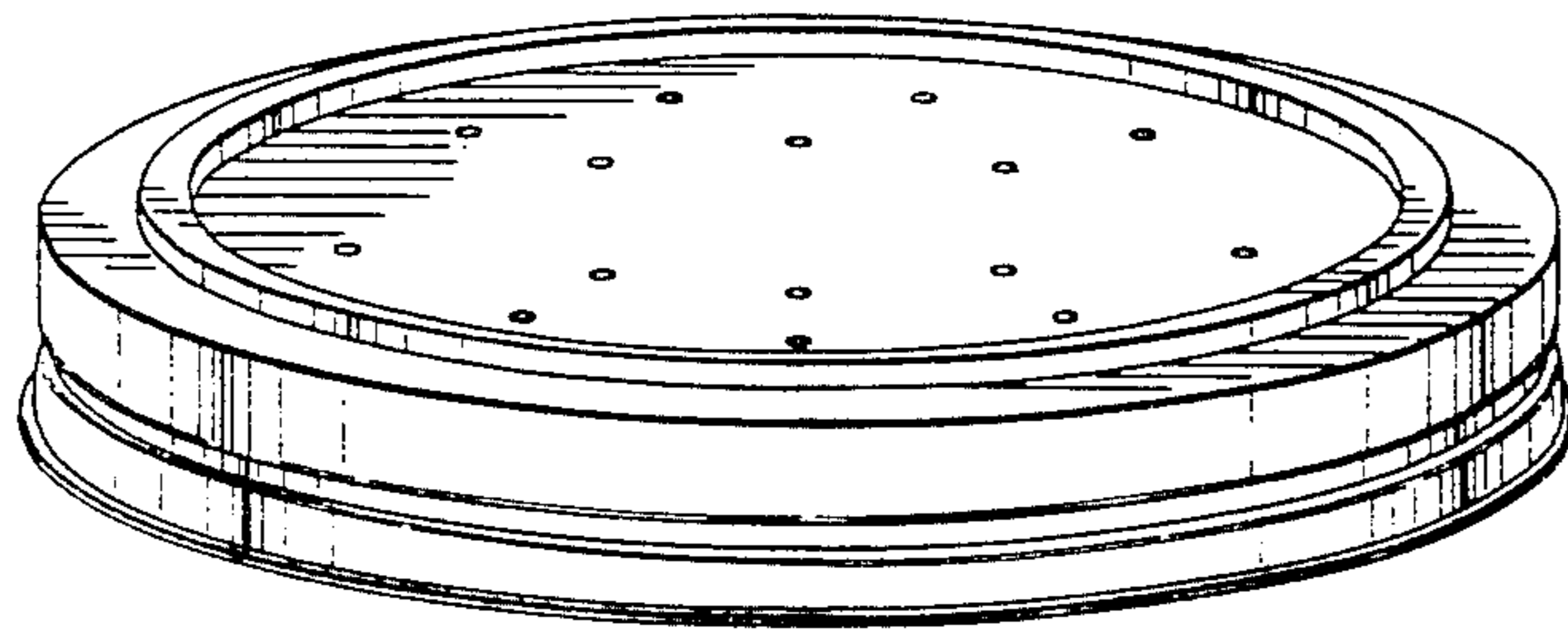


Fig. 2.

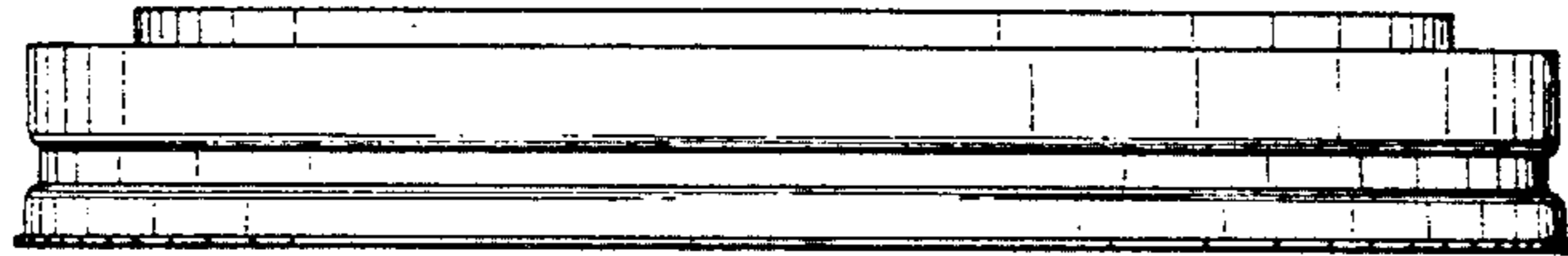


Fig. 3.

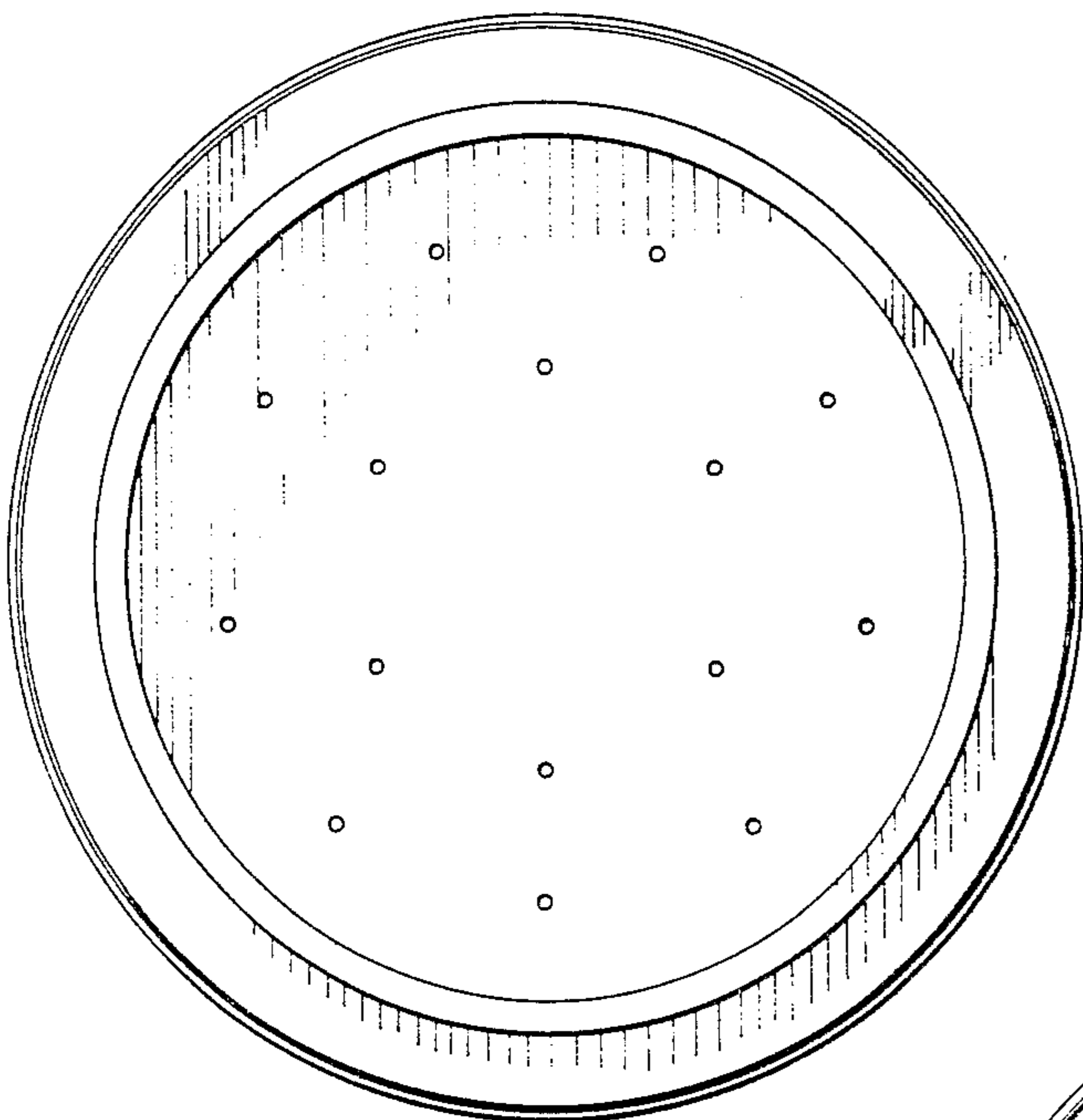


Fig. 4.

